

# PRODUCT INFORMATION PACKET



Model No: LM26359  
Catalog No: LM26359  
Encoder Motor, 1 HP, 3 Ph, 60 Hz, 230/460 V, 1800 RPM, 145TC Frame, TENV



Regal and Leeson are trademarks of Regal Rexnord Corporation or one of its affiliated companies.  
©2022 Regal Rexnord Corporation, All Rights Reserved. MC017097E





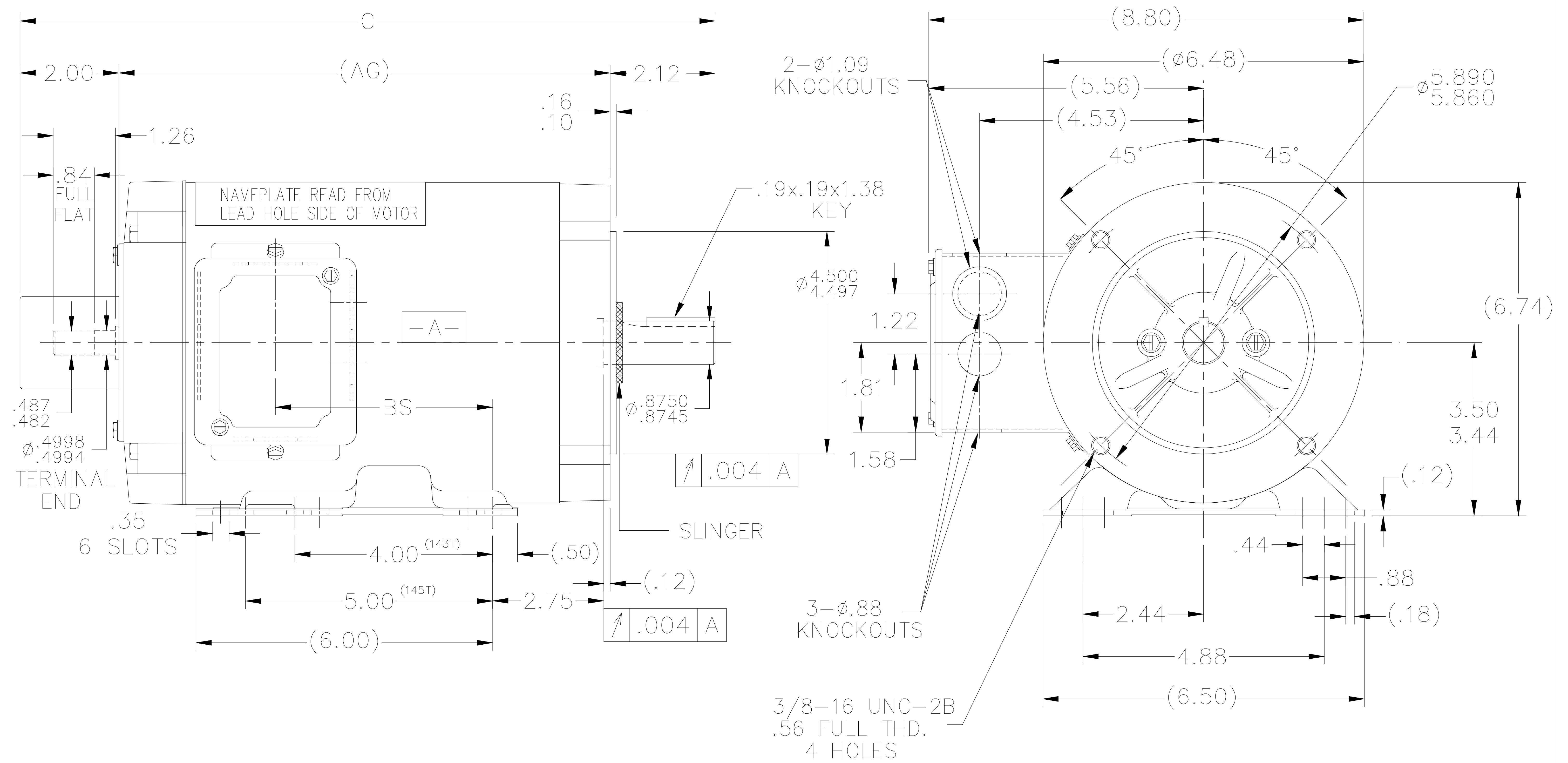
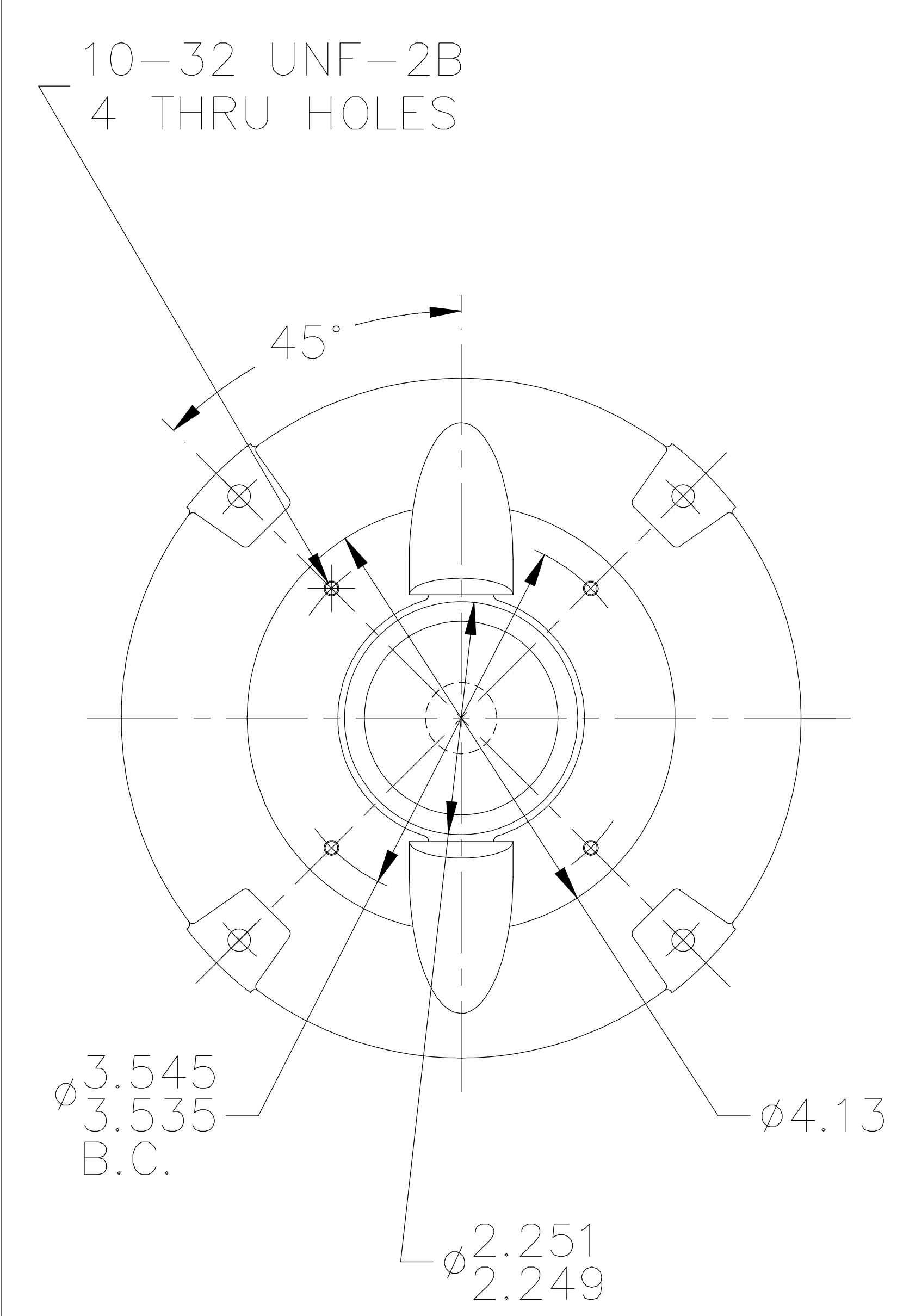
### Nameplate Specifications

Output HP	1 Hp	Output KW	0.75 kW
Frequency	60 Hz	Voltage	230/460 V
Current	4.0/2.0 A	Speed	1775 rpm
Service Factor	1	Phase	3
Efficiency	82.5 %	Power Factor	57.5
Duty	Continuous	Insulation Class	F
Design Code	INV	KVA Code	U
Frame	145TC	Enclosure	Totally Enclosed Non Ventilated
Thermal Protection	Thermostat	Ambient Temperature	40 °C
Drive End Bearing Size	205	Opp Drive End Bearing Size	203
UL	Recognized	CSA	Y
CE	N	IP Code	43
Number of Speeds	1		

### Technical Specifications

Electrical Type	Squirrel Cage Inverter Duty	Starting Method	Inverter Only
Poles	4	Rotation	Reversible
Resistance Main	6.65 Ohms	Mounting	Rigid Base
Motor Orientation	Horizontal	Drive End Bearing	Ball
Opp Drive End Bearing	Ball	Frame Material	Rolled Steel
Shaft Type	T	Overall Length	15.39 in
Frame Length	9.56 in	Shaft Diameter	0.875 in
Shaft Extension	2.25 in	Assembly/Box Mounting	F1 ONLY
Outline Drawing	104823LN-956	Connection Drawing	EE7308T-LN

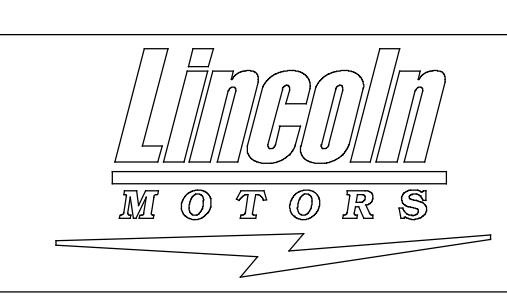
This is an uncontrolled document once printed or downloaded and is subject to change without notice. Date Created:11/28/2022



NOTE:  
CONDUIT BOX CAN BE ROTATED IN 180° STEPS.

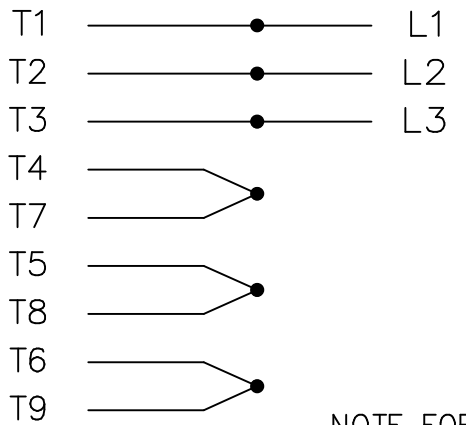
DASH	FR.	C	AG	BS
706	140T	13.52	9.40	3.45
756	140T	14.02	9.90	3.95
806	140T	14.52	10.40	4.45
856	140T	15.02	10.90	4.95
906	140T	15.52	11.40	5.45
956	140T	16.02	11.90	5.95

NO.	REVISION	BY & DATE	CHK	ANG	TOLERANCES UNLESS SPECIFIED	FINISH	DRAWN TJB 09-01-2000
4	UPDATED OVERALL LENGTH	DS 06/03/2019	.X	±.1			APPD MS 09-06-2000
3	UPDATED DIM BS FOR SW IMPLEMENTATION ECO-0167499	DS 05/21/2019	.XX	±.03	TITLE OUTLINE		SCALE 2=5
2	UPDATED DRAWING PER ECO-0063370	UD 12-08-14	PI	.XXX	140 FR. - C' FACE - TENV		REF
1	NEW DRAWING	TJB 09-06-2000	.XXXX	±.0005	MAT'L.		FMF
				±7'30"			PREV
THIS DRAWING IN DESIGN AND DETAIL IS OUR PROPERTY AND MUST NOT BE USED EXCEPT IN CONNECTION WITH OUR WORK ALL RIGHTS OF DESIGN AND INVENTION ARE RESERVED THIS IS AN ELECTRONICALLY GENERATED DOCUMENT - DO NOT SCALE THIS PRINT						RFP	CAD FILE 104823LN
						DIST WP	SIZE B DRAWING NO. 104823LN PAGE OF 4 REV. 4



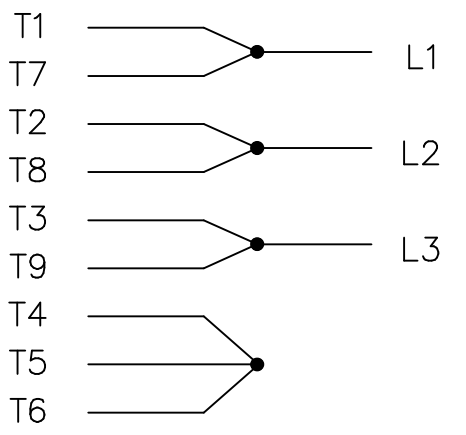
THREE PHASE  
DUAL VOLTAGE MOTOR

HIGH VOLTAGE

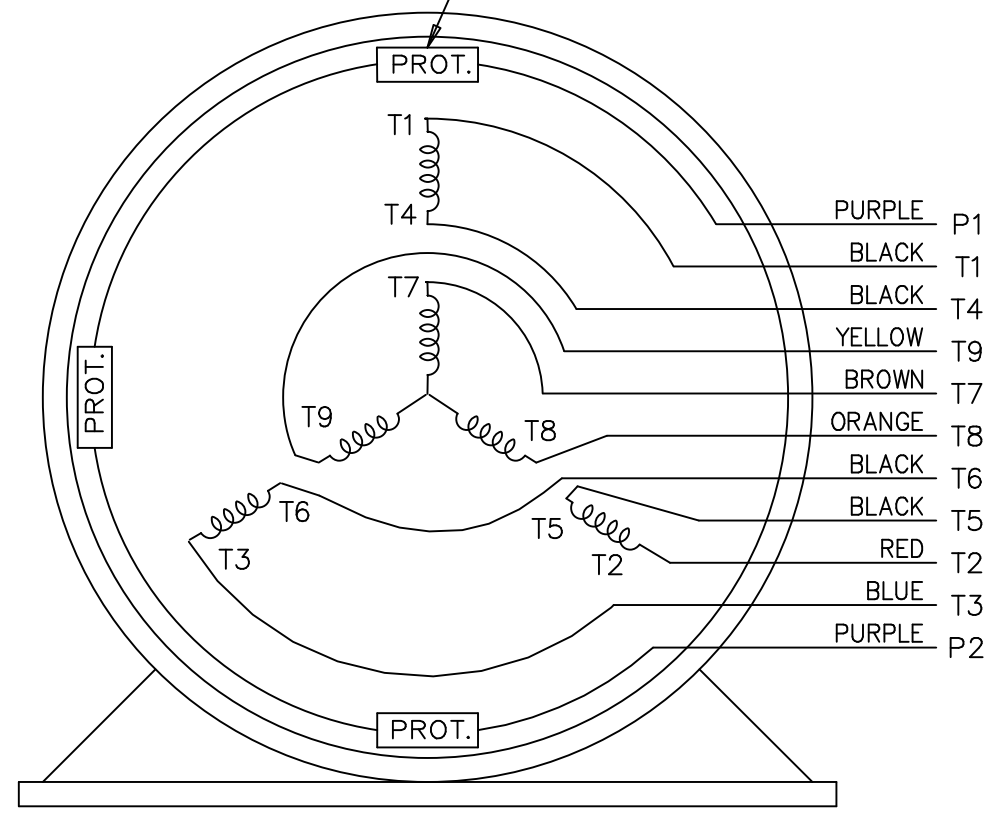


NOTE FOR FACTORY USE ONLY:  
TO SURGE TEST FOR COMMON CONNECT:  
HIGH VOLT: CONNECT P1 TO T1  
THEN P2 TO L1  
LOW VOLT: CONNECT P1 TO T1 & T7,  
THEN P2 TO L1

LOW VOLTAGE



THREMO-PROTECTORS  
CONNECTED IN SERIES.



VIEW OF TERMINAL END

				TOLERANCES UNLESS SPECIFIED			DRAWN BJK 07-16-2002						
				DEC.	INCHES		CHK DRS 07-18-2002						
				.X	±.1		APPD GK 07-18-2002						
					.XX	±.02	SCALE 1=1						
2	ADDED COLORS TO "T & P" LEADS	CN 40494	MSG 08-08-2006	ML	.XXX	±.005	TITLE CONNECTION DIAGRAM 3 PHASE - DUAL VOLTAGE MOTOR						
1	NEW DRAWING		BJK 07-18-2002	DRS	.XXXX	±.0005	MAT'L.						
NO.	REVISION		BY & DATE	CHK	ANG	±7'30"	FINISH						
THIS DRAWING IN DESIGN AND DETAIL IS OUR PROPERTY AND MUST NOT BE USED EXCEPT IN CONNECTION WITH OUR WORK ALL RIGHTS OF DESIGN AND INVENTION ARE RESERVED THIS IS AN ELECTRONICALLY GENERATED DOCUMENT - DO NOT SCALE THIS PRINT				RFP	CAD FILE ee7308t_ln			SIZE	DRAWING NO.	PAGE	OF	REV.	
				DIST	LB				A	EE7308T-LN			2



CERTIFICATION DATA SHEET

2100 WASHINGTON ST.  
GRAFTON, WI  
PH. 262-277-8810

CONN. DIAGRAM: A-EE7308T-LN

OUTLINE: B-104823LN-956

CATALOG #: LM26359

WINDING #: ZT4118 R3 1

MOUNTING: F1 ONLY

TYPICAL MOTOR PERFORMANCE DATA

HP	kW	SYNC. RPM	F.L. RPM	FRAME	ENCLOSURE	KVA CODE	DESIGN
1	0.75	1800	1775	145TC	TENV	U	INV

PH	Hz	VOLTS	AMPS	START TYPE	DUTY	INSL	S.F.	AMB°C
3	60	230/460	4/2	INVERTER ONLY	CONTINUOUS	F3	1.0	40

FULL LOAD EFF:	82.5	3/4 LOAD EFF:	78.5	1/2 LOAD EFF:	72.5	GTD. EFF	ELEC. TYPE
FULL LOAD PF:	57.5	3/4 LOAD PF:	49	1/2 LOAD PF:	37	80	SQ CAGE INV DUTY

F.L. TORQUE	LOCKED ROTOR AMPS	L.R. TORQUE	B.D. TORQUE	F.L. RISE°C
2.96 LB-FT	56 / 28	23 LB-FT 777 %	29 LB-FT 980 %	40

SOUND PRESSURE @ 3 FT.	SOUND POWER	ROTOR WK^2	MAX. WK^2	SAFE STALL TIME	STARTS / HOUR	APPROX. MOTOR WGT
62 dBA	72 dBA	0.14 LB-FT^2	- LB-FT^2	- SEC.	-	45 LBS.

\*\*\* SUPPLEMENTAL INFORMATION \*\*\*

DE BRACKET TYPE	ODE BRACKET TYPE	MOUNT TYPE	ORIENTATION	SEVERE DUTY	HAZARDOUS LOCATION	DRIP COVER	SCREENS	PAINT
C-FACE	ENCODER	RIGID	HORIZONTAL	FALSE	NONE	FALSE	NONE	GRAY (POWDER)

BEARINGS		GREASE	SHAFT TYPE	SPECIAL DE	SPECIAL ODE	SHAFT MATERIAL	FRAME MATERIAL
DE	ODE						
BALL	BALL	POLYREX EM	T	NONE	NONE	1144 STRESSPROOF (C-223)	ROLLED STEEL
205	203						

THERMO-PROTECTORS				THERMISTORS	CONTROL	SPACE HEATERS
THERMOSTATS	PROTECTORS	WDG RTDs	BRG RTDs			
TSTATS (N/C)	NOT	NONE	NONE	NONE	FALSE	NONE VOLTS

\*  
N  
O  
T  
E  
S  
\*

<b>INVERTER TORQUE:</b> CONSTANT 2000:1
<b>INV. HP SPEED RANGE:</b> NONE
<b>ENCODER:</b> PROVISIONS ONLY
DYNAPAR 625 LINCOLN
NONE NONE PPR
<b>BRAKE:</b> NONE NONE
NONE P/N NONE
NONE NONE
NONE FT-LB NONE V NONE Hz

Data Sheet

Date: 1/19/2018

LM26359



Data @ 460 V

Motor Load Data

Load	0%	25%	50%	75%	100%	115%	125%	LR
Current (Amps)	1.60	1.65	1.80	1.90	2.00	2.10	2.20	28.0
Torque (ft-lb)	0.00	0.75	1.50	2.30	2.96	3.4	3.8	23.0
RPM	1800	1790	1785	1780	1775	1.771	1765	0
Efficiency (%)		57.5	72.5	78.5	82.5	83.3	84.0	
P.F. (%)	9.0	24.0	37.0	49.0	57.5	61.8	66.0	68.0

Motor Speed Data

	LR	Pull-Up	BD	Rated	Idle
Speed (RPM)	0	400	1180	1775	1800
Current (Amps)	28.0	25.0	17.0	2.00	1.60
Torque (ft-lb)	23.0	22.0	29.0	2.96	0.00

Information Block				
HP	1.0			
Sync. RPM	1800			
Frame	145			
Enclosure	TENV			
Construction	TTR			
Voltage	230/460 V			
Frequency	60 Hz			
Design	A			
LR Code letter	U			
Service Factor	1.15			
Temp Rise @ FL	40 °C			
Duty	CONT			
Ambient	40 °C			
Elevation	1,000 feet			
Rotor/Shaft wk <sup>2</sup>	0.14 Lb-Ft <sup>2</sup>			
Ref Wdg	ZT4118 R3			
Sound Pressure @ 1M	62 dBA			
VFD Rating	CONSTANT 100:1			
Outline Dwg	B-104823LN-956			
Conn. Diag	A-EE7308T-LN			
Additional Specifications:				
0				
0				
EQUIV CKT (OHMS / PHASE)				
R1	R2	X1	X2	Xm
4.2570	3.5480	5.9880	5.8750	160.9150

