

PRODUCT INFORMATION PACKET



Model No: M128L

Catalog No: M128L

General Purpose Motor, 2.0-.50 HP, 3 Ph, 60 Hz, 230 V, 1800 RPM, 56 Frame, DP



Regal and Century are trademarks of Regal Rexnord Corporation or one of its affiliated companies.

©2023 Regal Rexnord Corporation, All Rights Reserved. MC017097E





Nameplate Specifications

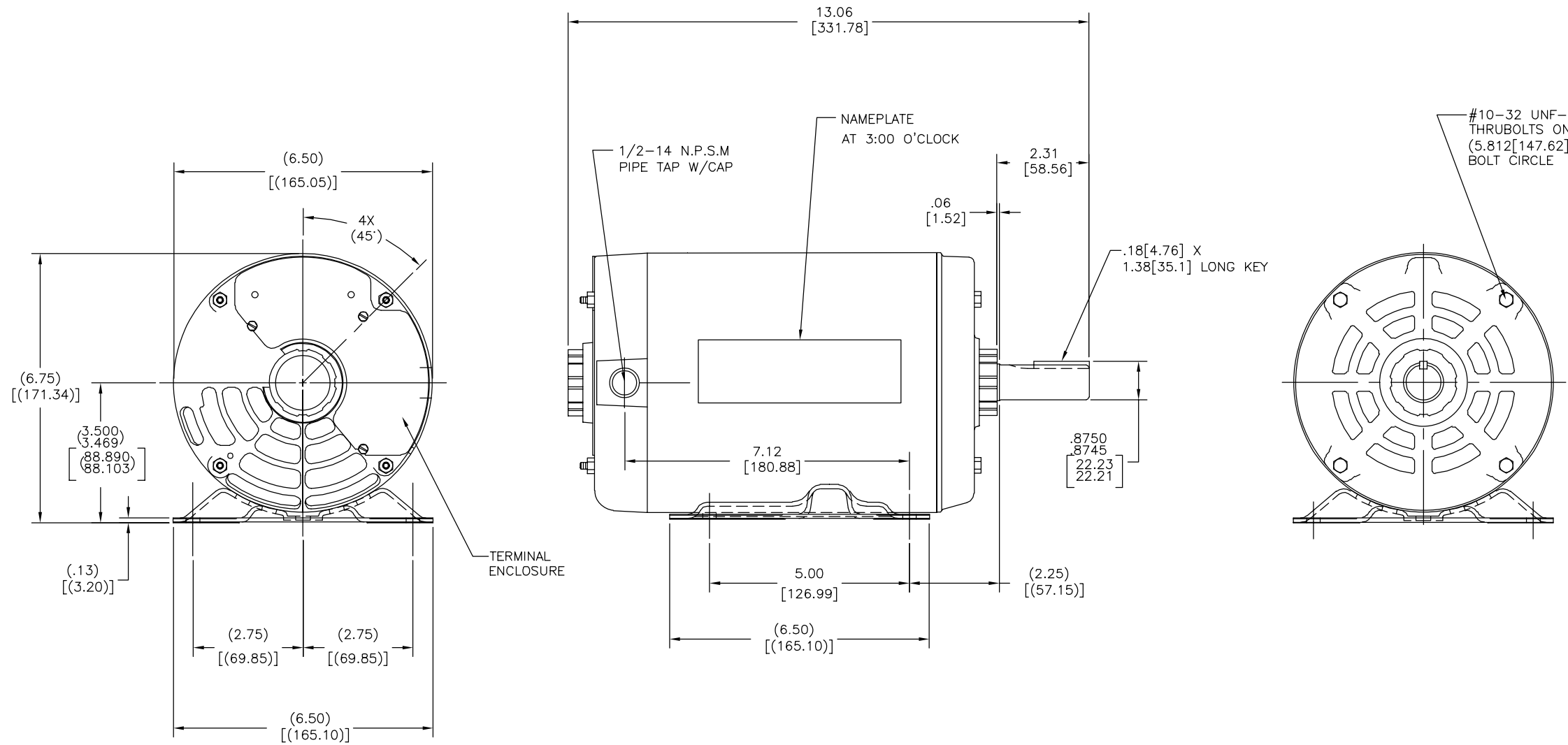
Output HP	2.0-.50 Hp	Output KW	1.5 kW
Frequency	60 Hz	Voltage	230 V
Current	6.6/2.4 A	Speed	1745/850 rpm
Service Factor	1.15	Phase	3
Duty	Continuous	Insulation Class	F
Frame	56	Enclosure	Drip Proof
Thermal Protection	No Protection	Ambient Temperature	40 °C
UL	Recognized	CSA	Y
CE	N	Number of Speeds	2-1-VT

Technical Specifications

Electrical Type	Polyphase, Induction Type, Multi-Speed	Starting Method	Across The Line
Poles	4/ 8	Rotation	Reversible Counterclockwise
Mounting	Rigid Base	Drive End Bearing	Ball
Opp Drive End Bearing	Ball	Frame Material	Rolled Steel
Shaft Type	Keyed	Overall Length	13.06 in
Frame Length	7.25 in	Shaft Diameter	0.875 in
Shaft Extension	2.31 in		
Outline Drawing	M128L-S01	Connection Drawing	17050625.PCX

This is an uncontrolled document once printed or downloaded and is subject to change without notice. Date Created:03/15/2023

ALL DIMENSION SHOWN IN PARENTHESIS ARE REFERENCE DIMENSIONS. ALL OTHER DIMENSIONS ARE TOLERANCED PER THE FOLLOWING CHART UNLESS OTHERWISE SPECIFIED.



NOTE:
1. FOR APPROXIMATE SHIPPING WEIGHT OF MOTOR ADD %15 TO THE NET WEIGHT

DRAWING REVISION D	REVISION BY F. NAVARRO	DATE 10-20-2014	TOLERANCES UNLESS OTHERWISE SPECIFIED DEC. INCH mm ANGLE .X ±0.1 [±2.5] ±0.5° .XX ±0.02 [±0.51] .XXX ±0.005 [±0.127] .XXXX ±0.0005 [±0.0127]	DRAWN BY: TW	Regal Beloit America, Inc.
ECO 0061389	APPROVED BY G. GALVIREZ	DATE 10-20-2014	REMOVE BURRS & BREAK SHARP EDGES .003/.015 [0.076/.381] CORNER FILLETS .02 [0.51] MACHINED SURFACES $\frac{125}{\text{INCH}}$ $\frac{3.2}{\text{mm}}$	DATE: 05-12-2010	
ECO DESCRIPTION SEE ECO				APPROVED BY: HZ	DESCRIPTION MODEL-IHP OUTLINE
COPYRIGHT REGAL BELOIT AMERICA, INC. ALL RIGHTS RESERVED. PROPRIETARY AND CONFIDENTIAL INFORMATION - THIS DOCUMENT IS THE PROPERTY OF REGAL BELOIT AMERICA, INC. (OWNER) AND CONTAINS OWNER'S PROPRIETARY INFORMATION. ANY PERSON, CORPORATION OR OTHER FIRM RECEIVING IT IS DEEMED, BY RECEIVING IT, TO AGREE THAT IT, AND/OR ANY PART OF IT, SHALL NOT BE DISCLOSED TO ANY PERSON, CORPORATION OR OTHER ENTITY, DUPLICATED, AND/OR USED, EXCEPT AS EXPRESSLY APPROVED IN WRITING IN ADVANCE BY OWNER. THIS DOCUMENT SHALL BE RETURNED TO OWNER UPON REQUEST. IT MAY BE SUBJECT TO CERTAIN RESTRICTIONS UNDER APPLICABLE EXPORT CONTROL LAWS AND REGULATIONS.				DATE: 05-12-2010	MATERIAL -
				REFERENCE -	PROCESS/FINISH -
				THIRD ANGLE PROJECTION	MATERIAL
				SIZE DWG NO C	M128L
					SHEET 1