

PRODUCT INFORMATION PACKET



Model No: OAM1018
Catalog No: OAM1018
1/6 HP OEM Replacement Motor, 825 RPM, 208-230 Volts, 48 Frame, TEAO
OEM Replacement Motors



Regal and Century are trademarks of Regal Rexnord Corporation or one of its affiliated companies.
©2021 Regal Rexnord Corporation, All Rights Reserved. MC017097E





Nameplate Specifications

Output HP	1/6 Hp	Output KW	0.13 kW
Frequency	60 Hz	Voltage	208-230 V
Current	1.0-1.1 A	Speed	825 rpm
Service Factor	1	Phase	1
Duty	Air Over	Insulation Class	B
Frame	48Y	Enclosure	Totally Enclosed
Thermal Protection	Automatic	Ambient Temperature	40 °C
UL	Recognized	CSA	Y
CE	N	Number of Speeds	1

Technical Specifications

Electrical Type	Permanent Split Capacitor	Starting Method	Across The Line
Poles	8	Rotation	Clockwise Lead End
Mounting	Extended Studs	Motor Orientation	Vertical Shaft Down
Drive End Bearing	Sleeve	Opp Drive End Bearing	Sleeve
Frame Material	Rolled Steel	Shaft Type	Flat
Overall Length	6.74 in	Frame Length	3.75 in
Shaft Diameter	0.500 in	Shaft Extension	2 in
Connection Drawing	614131-030	Outline Drawing	11891-145-S01

This is an uncontrolled document once printed or downloaded and is subject to change without notice. Date Created:10/07/2021

GENERAL INFORMATION:

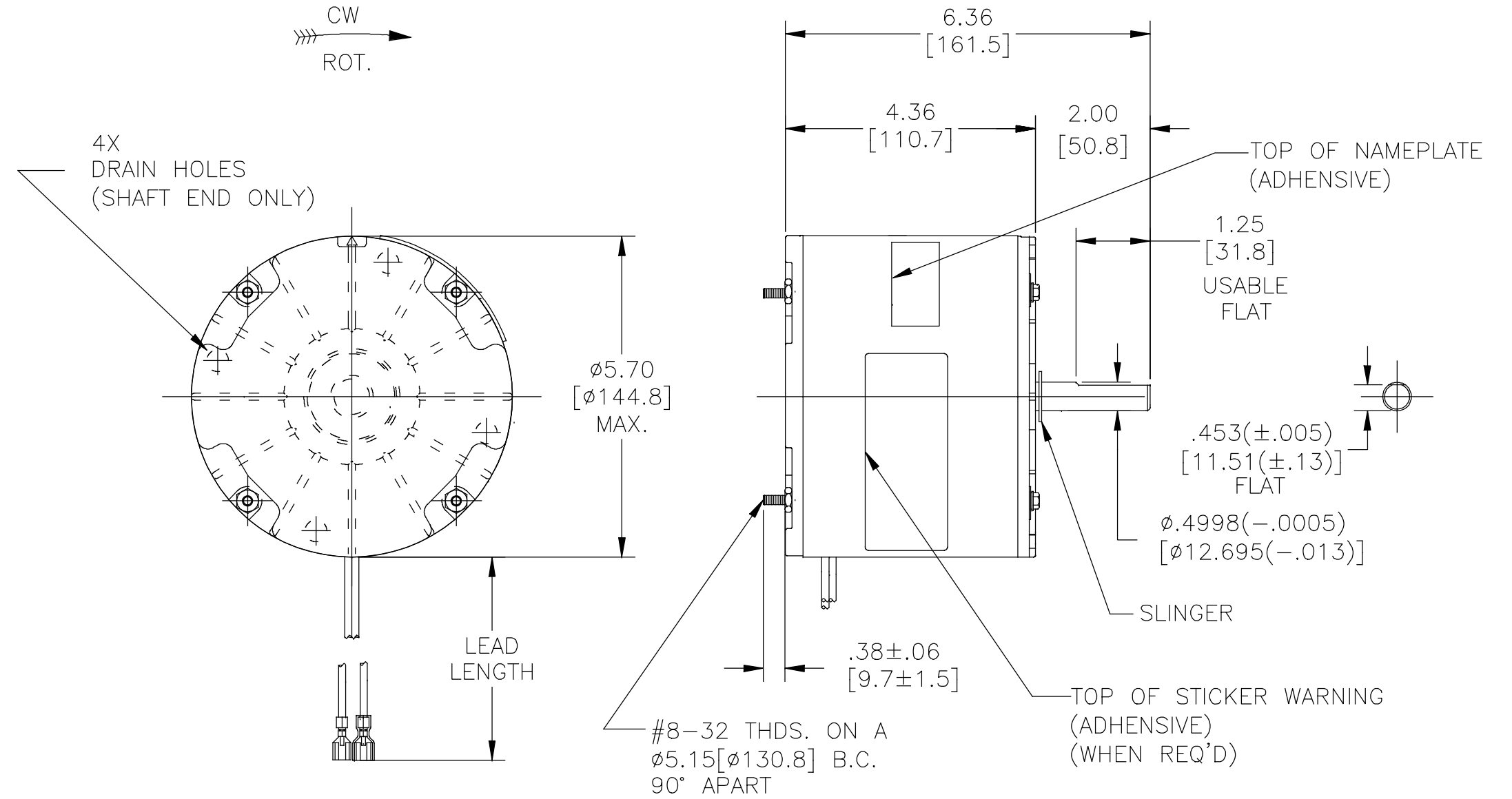
SHAFT RUNOUT: .001[.03] TIR PER INCH LENGTH OF EXTENSION.
 END PLAY: .010[.25] TO .063[1.60]
 BEARINGS: SLEEVE
 MOUNTING POSITION: VERTICLE SHAFT-DOWN

ELECTRICAL DATA:

OVERLOAD PROTECTOR: AUTOMATIC RESET (T.I. 7AM 036)
 LEADS: NO. 18 GA., .06[1.5] THK., PVC 105°C INSUL.

NOTES:

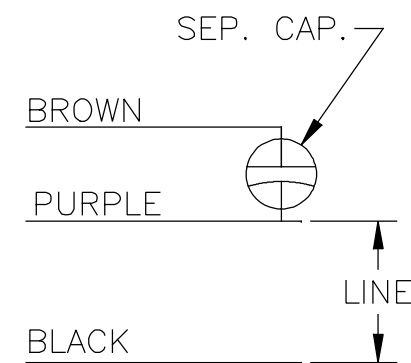
1. DISTRIBUTION: CUST. P/N: OAM1018
 GRAINGER: CUST. P/N: 4UY84



NAMEPLATE DATA:

MODEL NO.: F48V17A01
 CUST. P/N:
 HP: 1/6
 ROT.: CWLE
 RPM: 825
 TYPE: UF
 FRAME: 48Y
 VOLTS: 208-230
 PH: 1
 AMPS: 1.0-1.1
 HZ: 60
 INS: B
 AMB.: 40 °C
 DUTY: AIR OVER
 CAP.: 5MFD/370V
 INCLOSURE: ENCL
 UL LOGO
 CSA LOGO
 THERMALLY PROTECTED

EXTERNAL CONNECTION DIAGRAM



614131-030

PERFORMANCE CURVE NO.	TORQUE @ 825 RPM (25°C)	APPROVED SAMPLE	UL COMPONENT		CSA	
			FILE #	GUIDE#	FILE #	GUIDE#
C32312	21.6 OZ. FT.	0442625B	E46412	PRGY2	LR43341	260-φ-0

BROWN	50/54 [1270/1372]	.25[6.4] FEMALE SPADE
BLACK	50/54 [1270/1372]	.25[6.4] FEMALE INSUL. SPADE
PURPLE	50/54 [1270/1372]	.25[6.4] FEMALE SPADE
COLOR	LENGTH	TERMINAL OR STRIP LENGTH

MAIN FRAME - OLE	ENCLOSED
END FRAME - OLE	ENCLOSED WITH DRAIN HOLES
MAIN FRAME - LE	ENCLOSED
END FRAME - LE	ENCLOSED

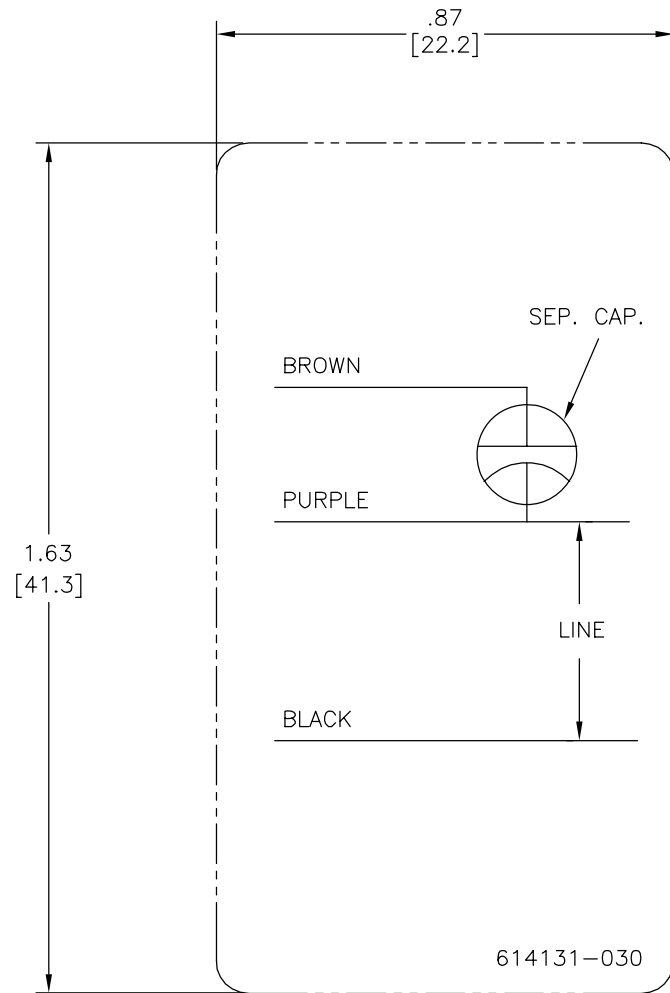
CUSTOMER	DISTRIBUTION SERVICES
----------	-----------------------

DRAWING REVISION	REVISION BY	DATE	TOLERANCES UNLESS OTHERWISE SPECIFIED
E	JASMINE.ZHU	12-26-2018	DEC. INCH mm ANGLE
ECO	APPROVED BY	DATE	.XX ±0.1 [±2.5] ±0.5°
ECO-0158920	Tricia Niederholtmeyer	12-26-2018	.XX ±0.02 [±0.51]
ECO DESCRIPTION			.XXX ±0.005 [±0.127]
ADD "ENCLOSURE: ENCL" TO NAMEPLATE AREA			.XXXX ±0.0005 [±0.0127]
<small>COPYRIGHT REGAL BELOIT AMERICA, INC. ALL RIGHTS RESERVED. PROPRIETARY AND CONFIDENTIAL INFORMATION - THIS DOCUMENT IS THE PROPERTY OF REGAL BELOIT AMERICA, INC. (OWNER) AND CONTAINS OWNER'S PROPRIETARY INFORMATION. ANY PERSON, CORPORATION OR OTHER FIRM RECEIVING IT IS DEEMED, BY RECEIVING IT, TO AGREE THAT IT, AND/OR ANY PART OF IT, SHALL NOT BE DISCLOSED TO ANY PERSON, CORPORATION OR OTHER ENTITY, DUPLICATED, AND/OR USED, EXCEPT AS EXPRESSLY APPROVED IN WRITING IN ADVANCE BY OWNER. THIS DOCUMENT SHALL BE RETURNED TO OWNER UPON REQUEST. IT MAY BE SUBJECT TO CERTAIN RESTRICTIONS UNDER APPLICABLE EXPORT CONTROL LAWS AND REGULATIONS.</small>			

DRAWN BY:	DATE:	APPROVED BY:	DATE:	REFERENCE:
SR	08-19-2004	TR	08-26-2004	

REGAL ™ Regal Beloit America, Inc.	
DESCRIPTION	MODEL-RFHP-48FR OUTLINE
MATERIAL	PROCESS/FINISH
THIRD ANGLE PROJECTION	SIZE DWG NO. 11891-145
	SHEET 1

REV	ECO	REV BY	DATE	APPD	DATE
B	0019812	YL	04-08-2011	CZ	04-08-2011



NOTES:

- FOR USE WITH 614129 OR 2513020-001 NAMEPLATE BLANKS;
- INDICATES DIMENSION LIMITS

GEOMETRIC CHARACTERISTICS & SYMBOLS

- ▭ FLATNESS
- STRAIGHTNESS
- ∠ ANGULARITY
- ⊥ PERPENDICULARITY (SQUARENESS)
- // PARALLELISM
- ROUNDNESS (CIRCULARITY)
- ⊘ CYLINDRICITY
- △ PROFILE OF ANY SURFACE
- ∩ PROFILE OF ANY LINE
- ↯ RUNOUT
- ⊕ TRUE POSITION
- ◎ CONCENTRICITY
- ≡ SYMMETRY

UNLESS OTHERWISE SPECIFIED
DIM. TOLERANCES ARE AS FOLLOWS:

INCH	±.1	±.02	±.005	±.0005
mm	±0.5	±0.13	±0.013	

ANG. ±.50 DEG
REMOVE BURRS & BREAK SHARP EDGES:
INCH .003-.015 mm 0.1-0.4

CORNER FILLETS TO:
INCH .020 mm 0.5

MACHINE SURFACES:
INCH 125 mm 3.2

METRIC DIMS. SHOWN IN [BRACKETS]

DR BY:	YL	04-08-2011
APPD:	CZ	04-08-2011
THIRD ANGLE PROJECTION		EDS DATE 02-22-2008 FORMAT REV F
CONFIDENTIAL: THIS DRAWING AND ITS INFORMATION ARE THE EXCLUSIVE AND CONFIDENTIAL PROPERTY OF A.O. SMITH CORP. AND ARE NOT TO BE DISCLOSED, DUPLICATED, DISTRIBUTED OR OTHERWISE USED WITHOUT THE WRITTEN CONSENT OF A.O. SMITH CORP. -ALL RIGHTS RESERVED. ASME Y14.5M 1994		



ELECTRICAL PRODUCTS COMPANY
A DIVISION OF A. O. SMITH CORPORATION

DESCRIPTION	
CONN DIAGRAM-NAMEPLATE	
SIZE	DWG NO
C	614131-030
SCALE	SHEET
NONE	1

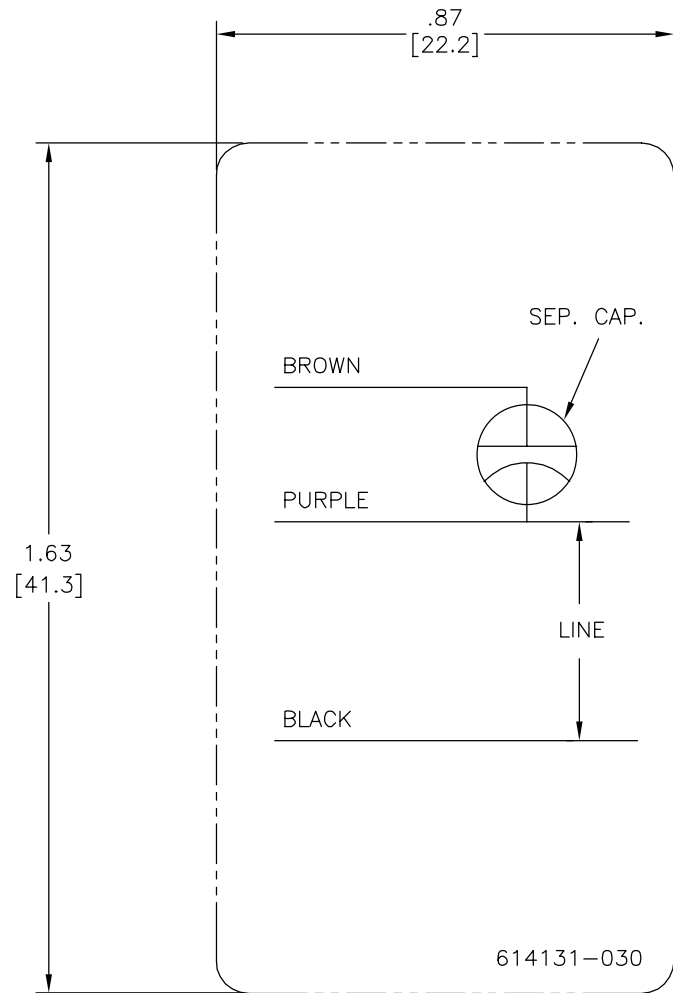
4

3

2

1

REVISION:	ECO	REVISADO POR:	FECHA:	APROBADO POR:	FECHA:
B	0019812	YL	04-08-2011	CZ	04-08-2011



NOTES:

1. FOR USE WITH 614129 OR 2513020-001 NAMEPLATE BLANKS;
2. - - - - - INDICATES DIMENSION LIMITS

CARACTERISTICAS DE GEOMETRIA Y SIMBOLOS ▯ PLANICIDAD — RECTITUD < ANGULARIDAD ⊥ PERPENDICULARIDAD (A ESCUADRA) // PARALELISMO ○ REDONDEZ (CIRCULARIDAD) ∅ CILINDRICIDAD △ PERFIL DE CUALQUIER SUPERFICIE ∩ PERFIL DE CUALQUIER LINEA ↗ VARIACION ⊕ POSICION REAL ⊙ CONCENTRICIDAD = SIMETRIA

DIBUJADO POR: YL	04-08-2011
APROBADO POR: CZ	04-08-2011
TERCER ANGULO DE PROYECCION	⊕ ⊖ FECHA EDS: 02-22-2008 REV. FORMATO: F
CONFIDENCIAL: ESTE DIBUJO Y SU INFORMACION SON PROPIEDAD DE USO EXCLUSIVO Y CONFIDENCIAL DE A.O.SMITH CORP. Y NO DEBERAN SER REVELADOS, DUPLICADOS, DISTRIBUIDOS O USARSE DE OTRA MANERA SIN EL CONSENTIMIENTO ESCRITO DE A.O. SMITH CORP. -TODOS LOS DERECHOS RESERVADOS.ASME Y14.5M 1994	

ELECTRICAL PRODUCTS COMPANY <small>INNOVATION HAS A NAME. A DIVISION OF A. O. SMITH CORPORATION</small>
DESCRIPCION: CONN DIAGRAM-NAMEPLATE
TAMAÑO: C NUMERO DE DIBUJO: 614131-030
ESCALA:NONE HOJA: 1

4

3

2

1

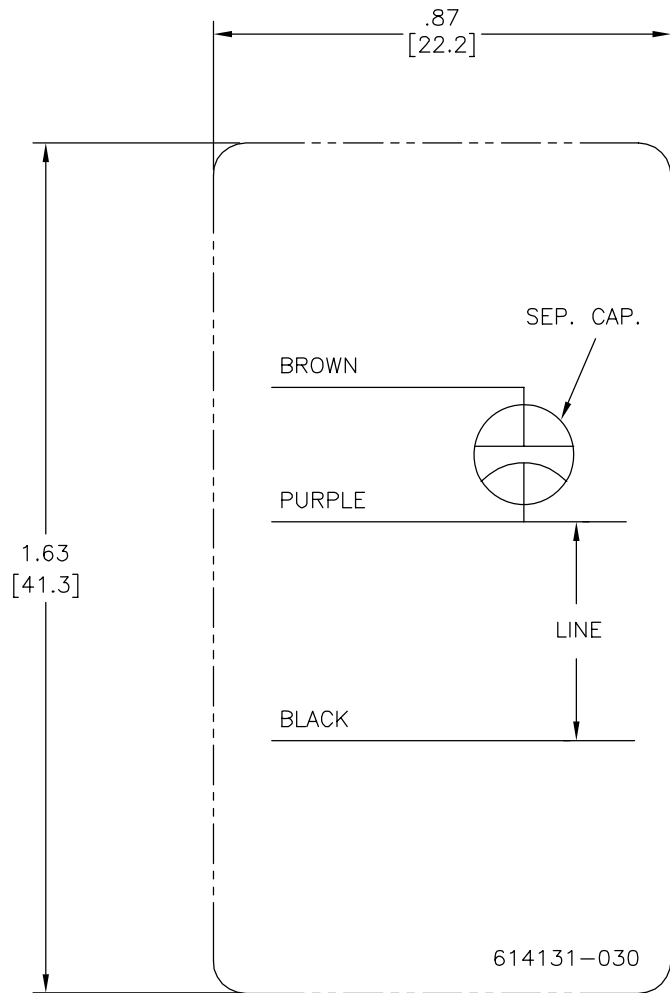
4

3

2

1

版本	ECO	编制	日期	批准	日期
B	0019812	YL	04-08-2011	CZ	04-08-2011



NOTES:

1. FOR USE WITH 614129 OR 2513020-001 NAMEPLATE BLANKS;
2. ----- INDICATES DIMENSION LIMITS

形位公差
□ 平面度
— 直线度
∠ 倾斜度
⊥ 垂直度
// 平行度
○ 圆度
⊘ 圆柱度
△ 面轮廓度
∩ 线轮廓度
⊕ 圆跳动
⊖ 位置度
⊙ 同轴度
≡ 对称度

绘图:	YL	04-08-2011
批准:	CZ	04-08-2011
第三角投影		图纸格式发布日期 02-22-2008 图纸格式版本 F
机密: 本图纸及相关信息所有权归A. O. SMITH公司所有。 未经A. O. SMITH公司书面授权, 不得泄露、复制、传播或作 其他用途。--版权所有		
ASME Y14.5M 1994		

ACSmith Innovation has a name.		ELECTRICAL PRODUCTS COMPANY A DIVISION OF A. O. SMITH CORPORATION	
名称 CONN DIAGRAM-NAMEPLATE			
图幅	C	图号	614131-030
比例	NONE	页号	1

4

3

2

1