

PRODUCT INFORMATION PACKET



Model No: OAN1076

Catalog No: OAN1076

OEM Replacement Motor, 3/4 HP, 1 Ph, 60 Hz, 460 V, 1075 RPM, 1 Speed, 48 Frame, SEMI ENCLOSED



Regal and Century are trademarks of Regal Rexnord Corporation or one of its affiliated companies.
©2022 Regal Rexnord Corporation, All Rights Reserved. MC017097E





Nameplate Specifications

Output HP	3/4 Hp	Output KW	0.56 kW
Frequency	60 Hz	Voltage	460 V
Current	2.6 A	Speed	1075 rpm
Service Factor	1	Phase	1
Duty	Air Over	Insulation Class	B
Frame	48Y	Enclosure	Semi Enclosed
Thermal Protection	Automatic	Ambient Temperature	60 °C
UL	Recognized	CSA	Y
CE	N	Number of Speeds	1

Technical Specifications

Electrical Type	Permanent Split Capacitor	Starting Method	Across The Line
Poles	6	Rotation	Counterclockwise Lead End
Mounting	Round Belly Band	Motor Orientation	Vertical Shaft Up
Drive End Bearing	Ball	Opp Drive End Bearing	Ball
Frame Material	Rolled Steel	Shaft Type	Flat
Overall Length	9.99 in	Frame Length	5.38 in
Shaft Diameter	0.500 in	Shaft Extension	4 in
Connection Drawing	614131-004	Outline Drawing	OAN1076-S01

This is an uncontrolled document once printed or downloaded and is subject to change without notice. Date Created:11/28/2022

4

3

2

1

REV	ECO	REV BY	DATE	APPD	DATE
B	0025553	F. MORENO	05-01-2012	M. AVILA	05-01-2012

GENERAL INFORMATION:

SHAFT RUNOUT: .001[.03] T.I.R. PER INCH LENGTH OF EXTENSION

BEARINGS: BALL

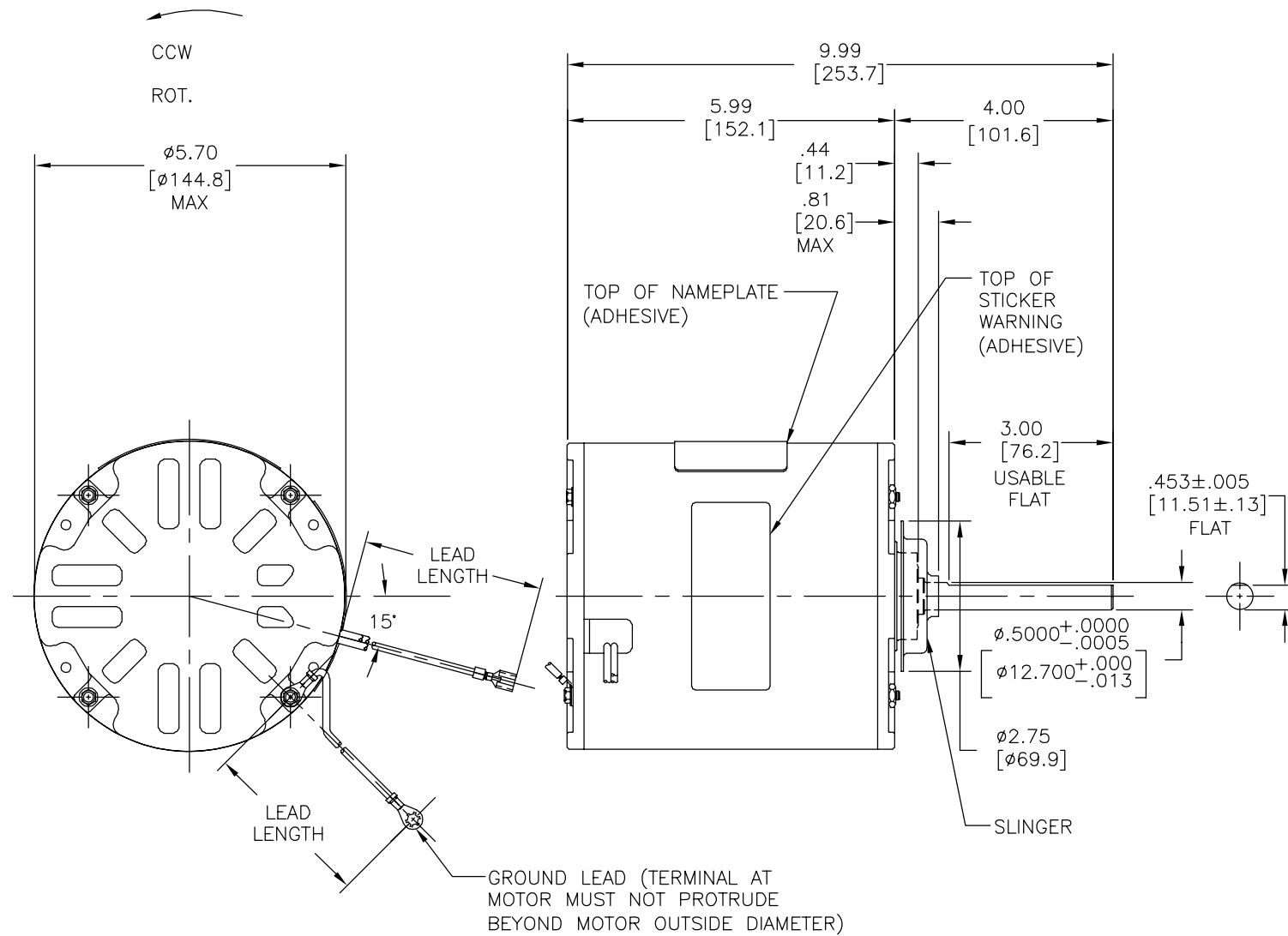
MOUNTING POSITION: VERTICAL SHAFT-UP

ELECTRICAL DATA:

OVERLOAD PROTECTOR: AUTOMATIC RESET (T.I. 7AM 036)

LEADS: NO. 16 GA., .06[1.5] THK., PVC 105°C INSUL.

GROUND LEAD: NO. 16 GA., .03[.8] THK., (GREEN) INSUL.



NAMEPLATE DATA:

HP: ~~MODEL~~ NO.: F48N58A01

~~REV~~ P/N: OAN1076

3/4

CCWLE

1075

TYPE: UF

FRAME: 48Y

VOLTS: 460

INS.: 1

AMPS: 2.6

60

CAP.: B

AMB.: 60° C

DUTY: AIR OVER

12.5 MFD/370V

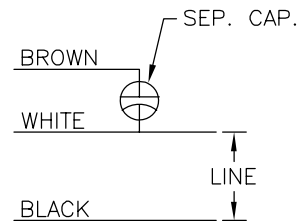
ENCL: SEMI - ENCL.

UL LOGO

CSA LOGO

THERMALLY PROTECTED

EXTERNAL CONNECTION DIAGRAM



614131-004

GREEN (GROUND)	9.0/10.0 [229/254]	#10 EYELET
BROWN	96.0/100.0 [2438/2540]	.25[6.4] FEMALE SPADE
WHITE	96.0/100.0 [2438/2540]	.25[6.4] FEMALE SPADE
BLACK	96.0/100.0 [2438/2540]	.25[6.4] FEMALE SPADE
COLOR	LENGTH	TERMINAL OR STRIP LENGTH

MAIN FRAME - OLE	ENCLOSED
END FRAME - OLE	ENCLOSED
MAIN FRAME - LE	ENCLOSED
END FRAME - LE	OPEN

CUSTOMER	DISTRIBUTION SERVICE
----------	----------------------

PERFORMANCE CURVE NO.	TORQUE @1100 RPM (25°C)	APPROVED SAMPLE	UL COMPONENT FILE #	CCN #	CSA FILE #	CLASS #
C31851	83. 1 OZ. FT.	99AC221	E46412	PRGY2	LR43341	4211-01

GEOMETRIC CHARACTERISTICS & SYMBOLS

- FLATNESS
- STRAIGHTNESS
- ∠ ANGULARITY
- ⊥ PERPENDICULARITY (SQUARENESS)
- ∥ PARALLELISM
- ROUNDNESS (CIRCULARITY)
- ⊘ CYLINDRICITY
- △ PROFILE OF ANY SURFACE
- ∩ PROFILE OF ANY LINE
- ↗ RUNOUT
- ⊕ TRUE POSITION
- ◎ CONCENTRICITY
- ≡ SYMMETRY

ASME Y14.5M 1994

REGAL-BELOIT CORPORATION (RBC) PROVIDES TECHNICAL ASSISTANCE TO OUR CUSTOMERS IN SEVERAL AREAS. SINCE RBC DOES NOT RECEIVE ALL DATA CONCERNING THE USE AND APPLICATION OF THE MOTOR, THE SUITABILITY OF THE MOTOR FOR THE APPLICATION MUST BE DETERMINED BY THE CUSTOMER.

DIMENSIONS WITHOUT TOLERANCES ARE FOR REFERENCE ONLY.

DR BY: ROETTER 08-13-1999

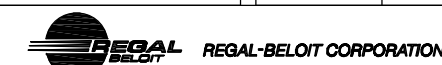
APPD: J.MORPHY 08-18-1999

THIRD ANGLE PROJECTION

EDS DATE 11-11-2011

FORMAT REV G

CONFIDENTIAL: THIS DRAWING AND ITS INFORMATION ARE THE EXCLUSIVE AND CONFIDENTIAL PROPERTY OF REGAL-BELOIT CORPORATION AND ARE NOT TO BE DISCLOSED, DUPLICATED, DISTRIBUTED OR OTHERWISE USED WITHOUT THE WRITTEN CONSENT OF REGAL-BELOIT CORPORATION. -ALL RIGHTS RESERVED.



DESCRIPTION: MODEL-RFHP-48-FR OUTLINE

SIZE: C DWG NO: OAN1076

SCALE: NONE SHEET: 1

4

3

2

1

4

3

2

1

REVISION:	ECO	REVISADO POR:	FECHA:	APROBADO POR:	FECHA:
B	0025553	F. MORENO	05-01-2012	M. AVILA	05-01-2012

INFORMACION GENERAL:

OSCILACION DE FLECHA: .001[.03] L.T.I. EXTENSION POR PULGADA DE LARGO

BALEROS: BALERO DE BOLAS

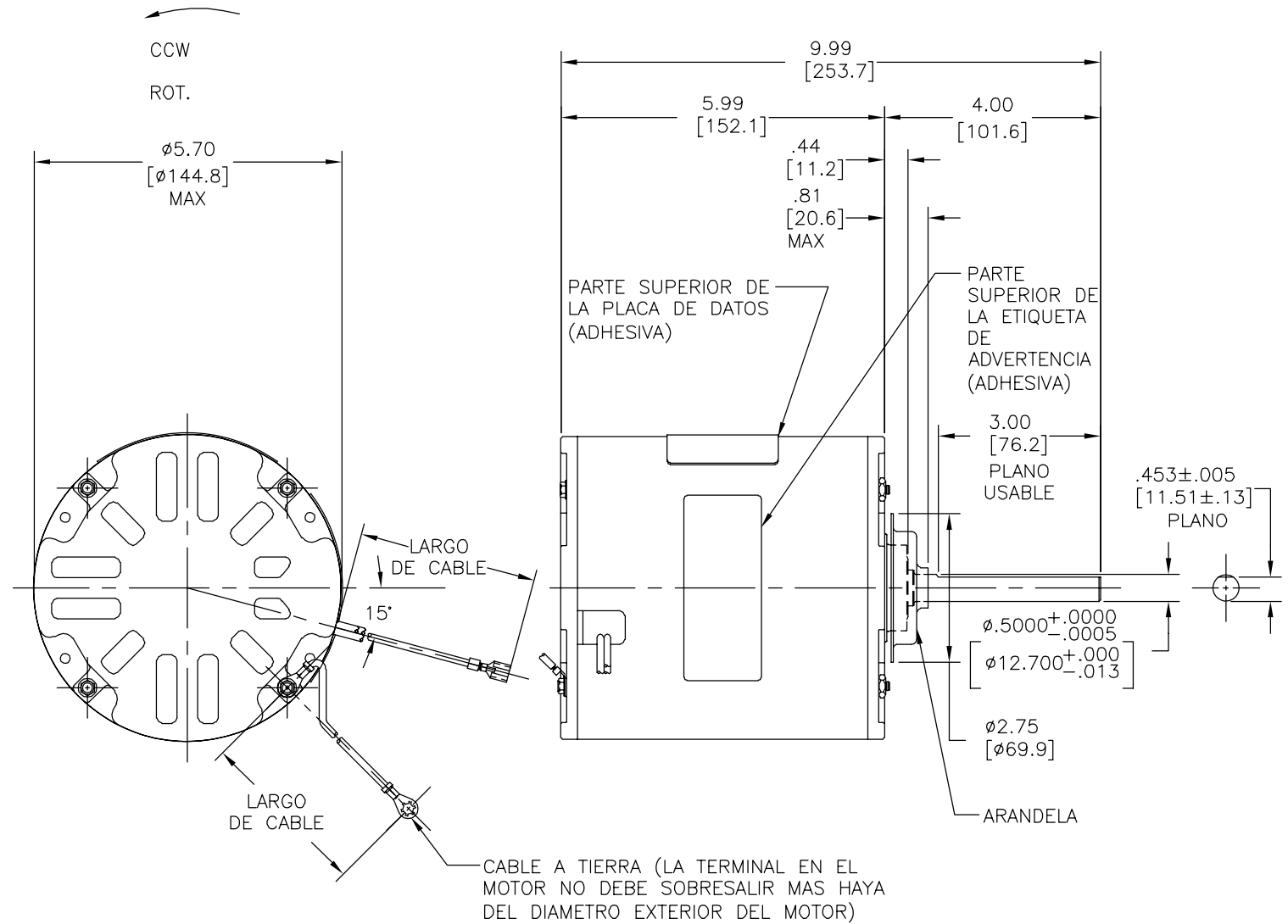
POSICION DEL MONTAJE: FLECHA HACIA ARRIBA VERTICAL

INFORMACION ELECTRICA:

PROTECTOR DE SOBRECARGA: REINICIO AUTOMATICO (T.I. 7AM 036)

CABLES: CALIBRE NO. 16, .06[1.5] DE GROSOR, AISLANTE PVC 105°C

CABLE DE TIERRA: CALIBRE NO. 16, .03[.8] DE GROSOR, AISLANTE (VERDE)



INFORMACION DE ETIQUETA:	DIAGRAMA DE CONEXION EXTRNA
HP: MODEL NO.: F48N58A01 P/N: OAN1076 3/4 CCWLE 1075 TYPE: UF FRAME: 48Y VOLTS: 460 INS.: 1 AMPS: 2.6 60 CAP.: B AMB.: 60° C DUTY: AIR OVER 12.5 MFD/370V ENCL: SEMI - ENCL. UL LOGO CSA LOGO THERMALLY PROTECTED	SEP. CAP. BROWN WHITE BLACK LINE
614131-004	

CURVAS DE FUNCIONAMIENTO	TORSION @1100 RPM (25°C)	MUESTRA APROBADA	COMPONENTE UL	CSA
C31851	83. 1 OZ. FT.	99AC221	#ARCHIVO CCN #	#ARCHIVO CLASE #
			E46412 PRGY2 LR43341	4211-01

VERDE (TIERRA)	9.0/10.0 [229/254]	OJAL #10
CAFE	96.0/100.0 [2438/2540]	.25[6.4] TERMINAL ESPADA
BLANCO	96.0/100.0 [2438/2540]	.25[6.4] TERMINAL ESPADA
NEGRO	96.0/100.0 [2438/2540]	.25[6.4] TERMINAL ESPADA
COLOR	LONGITUD	TERMINAL O LONGITUD DE DESFORRE

CARCASA - LOC	CERRADO
TAPA - LOC	CERRADO
CARCASA - LC	CERRADO
TAPA - LC	ABIERTO

CLIENTE	DISTRIBUTION SERVICE
---------	----------------------

CARACTERISTICAS DE GEOMETRIA Y SIMBOLOS

- PLANICIDAD
- RECTITUD
- ∠ ANGULARIDAD
- ⊥ PERPENDICULARIDAD (A ESCUADRA)
- // PARALELISMO
- REDONDEZ (CIRCULARIDAD)
- ∅ CILINDRICIDAD
- △ PERFIL DE CUALQUIER SUPERFICIE
- ∧ PERFIL DE CUALQUIER LINEA
- ∧ VARIACION
- ⊕ POSICION REAL
- ◎ CONCENTRICIDAD
- = SIMETRIA

ASME Y14.5M 1994

REGAL-BELOIT CORPORATION (RBC) PROVEE ASISTENCIA TECNICA A NUESTROS CLIENTES EN VARIAS AREAS. DESDE QUE RBC NO RECIBE TODOS LOS DATOS EN RELACION AL USO Y A LA APLICACION DEL MOTOR, LA APLICACION ADECUADA DEL MOTOR DEBE SER DETERMINADA POR EL CLIENTE.

DIMENSIONES SIN TOLERANCIA SON DE REFERENCIA SOLAMENTE

DIBUJADO POR: ROETTER 08-13-1999

APROBADO POR: J.MORPHY 08-18-1999

TERCER ANGULO DE PROYECCION

FECHA EDS: 11-11-2011

REV. FORMATO: G

CONFIDENCIAL: ESTE DIBUJO Y SU INFORMACION SON PROPIEDAD DE USO EXCLUSIVO Y CONFIDENCIAL DE REGAL-BELOIT CORPORATION. Y NO DEBERAN SER REVELADOS, DUPLICADOS, DISTRIBUIDOS O USARSE DE OTRA MANERA SIN EL CONSENTIMIENTO ESCRITO DE REGAL-BELOIT CORPORATION. -TODOS LOS DERECHOS RESERVADOS.

REGAL-BELOIT CORPORATION

DESCRIPCION: MODEL-RFHP-48-FR OUTLINE

TAMAÑO: C NUMERO DE DIBUJO: OAN1076

ESCALA: NONE HOJA: 1

4

3

2

1

4

3

2

1

版本	ECO	编制	日期	批准	日期
B	0025553	F. MORENO	05-01-2012	M. AVILA	05-01-2012

总技术要求:

轴跳动:

轴承:

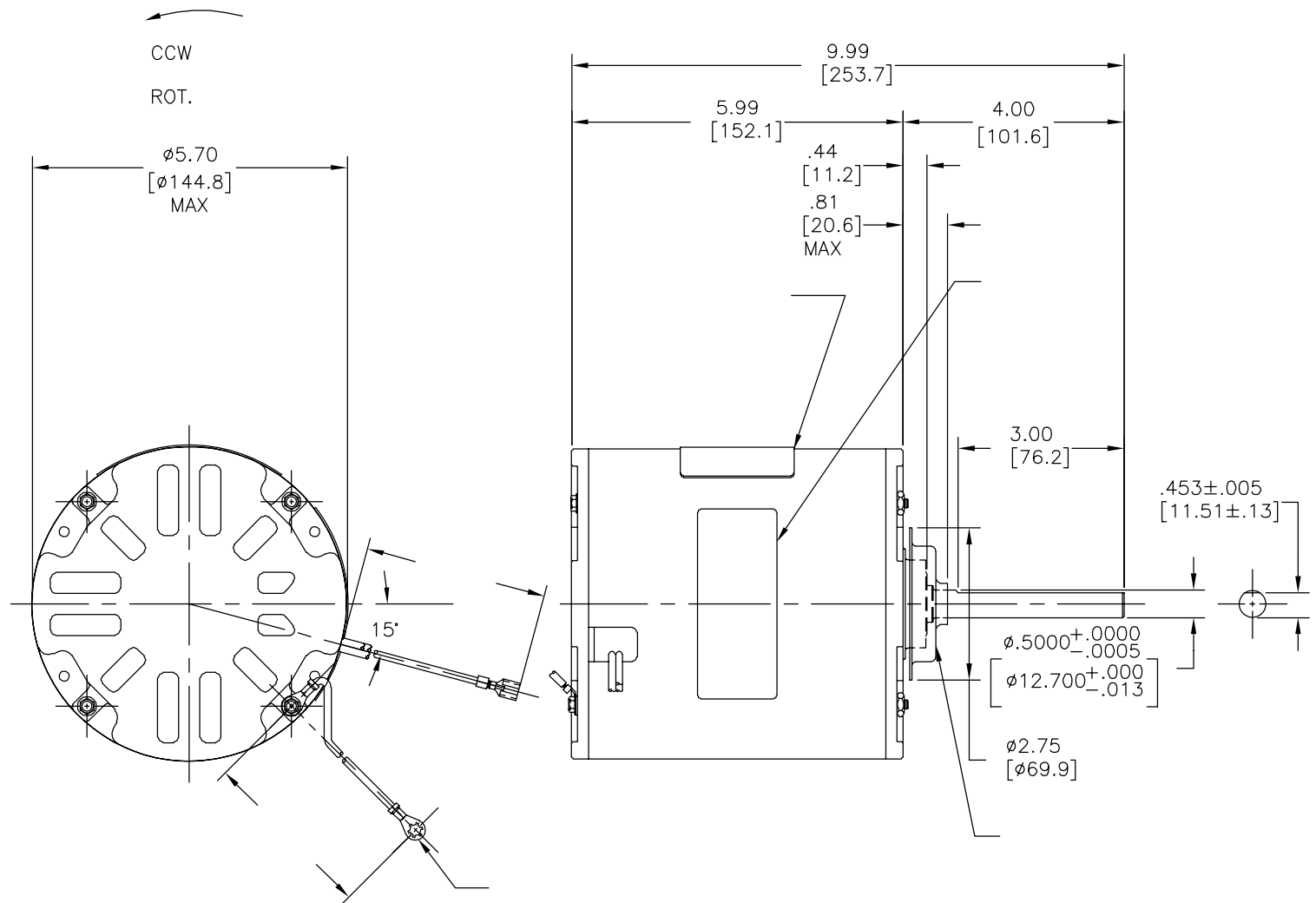
安装位置:

电气数据:

过载保护:

引线:

接地线:



铭牌数据	外部数据线
HP: MODEL NO.: F48N58A01 P/N: OAN1076 3/4 CCWLE 1075 TYPE: UF FRAME: 48Y VOLTS: 460 INS.: 1 AMPS: 2.6 60 CAP.: B AMB.: 60° C DUTY: AIR OVER 12.5 MFD/370V ENCL: SEMI - ENCL. UL LOGO CSA LOGO THERMALLY PROTECTED	SEP. CAP. BROWN WHITE BLACK LINE

614131-004

性能曲线编号	转矩在 @ 1100 RPM (25° C)	批准样品	UL部件		CSA	
C31851	83. 1 OZ. FT.	99AC221	文件号	指南	文件号	指南
			E46412	PRGY2	LR43341	4211-01

	9.0/10.0	
	[229/254]	
	96.0/100.0	
	[2438/2540]	
	96.0/100.0	
	[2438/2540]	
	96.0/100.0	
	[2438/2540]	
颜色	长度	端子或剥线长度

无引线端机壳	
无引线端端盖	
有引线端机壳	
有引线端端盖	

用户	DISTRIBUTION SERVICE
----	----------------------

- 形位公差
- 平面度
- 直线度
- ∠ 倾斜度
- ⊥ 垂直度
- ∥ 平行度
- 圆度
- ⊘ 圆柱度
- ⊖ 面轮廓度
- ⊖ 线轮廓度
- ⤴ 圆跳动
- ⊕ 位置度
- ⊙ 同轴度
- ≡ 对称度

ASME Y14.5M 1994

REGAL-BELOIT CORPORATION (RBC) 在个别领域为客户提供技术支持。鉴于RBC未收到任何涉及电机使用和应用环境的数据，电机的适用性由客户自己决定。

未注公差尺寸仅供参考。

绘图:	ROETTER	08-13-1999
批准:	J.MORPHY	08-18-1999
第三角投影		图纸格式发布日期 11-11-2011 图纸格式版本 G
机密: 本图纸及相关信息所有权归REGAL-BELOIT CORPORATION。未经REGAL-BELOIT CORPORATION书面授权, 不得泄露、复制、传播或作其他用途。—版权所有		

名称	MODEL-RFHP-48-FR OUTLINE
图幅	C
图号	OAN1076
比例	NONE
页号	1

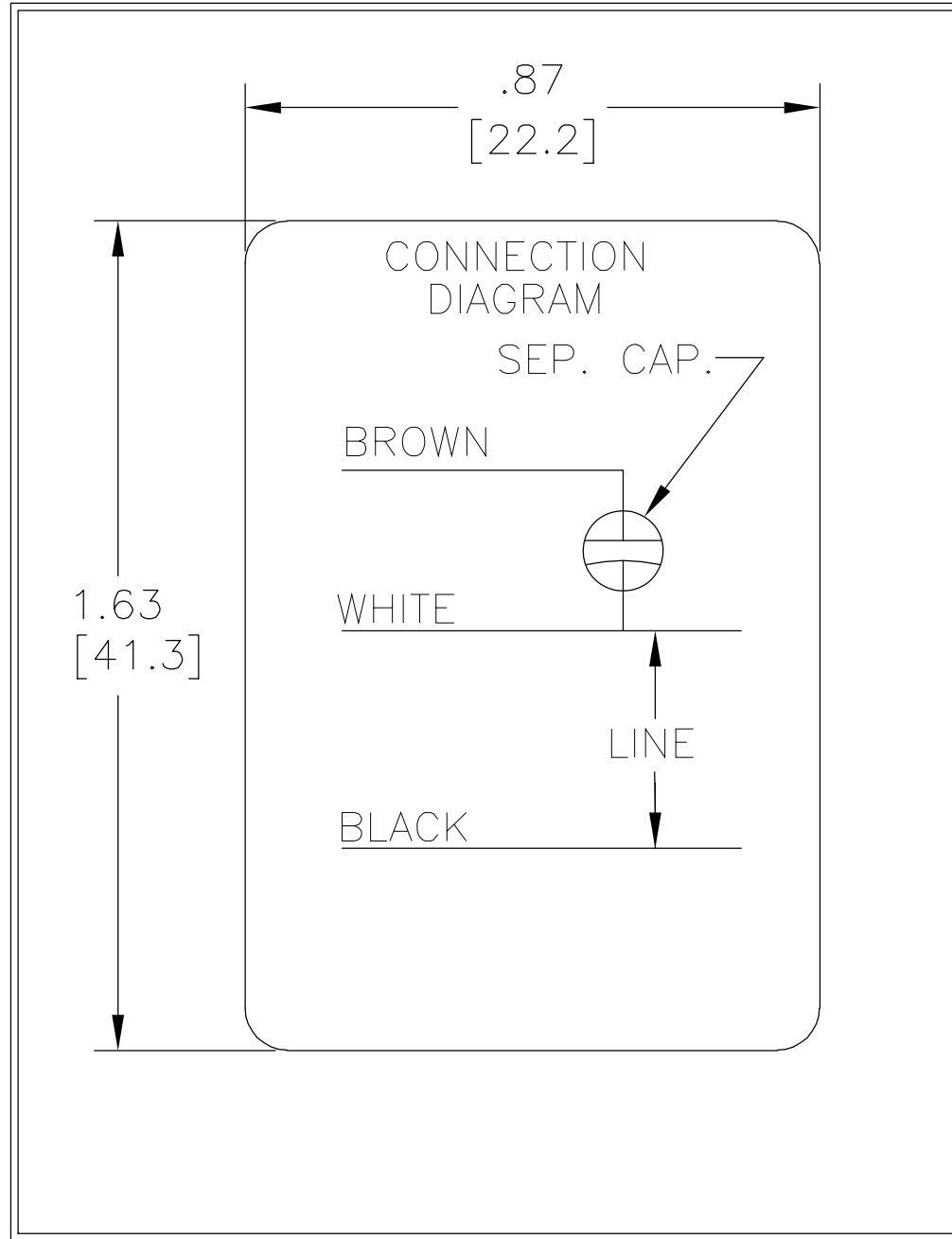
4

3

2

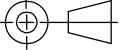
1


REV	ECO	REV BY	DATE	APPD	DATE
A	0017050	VICTOR MIJARES	03-01-2011	CCONTRERAS	03-01-2011



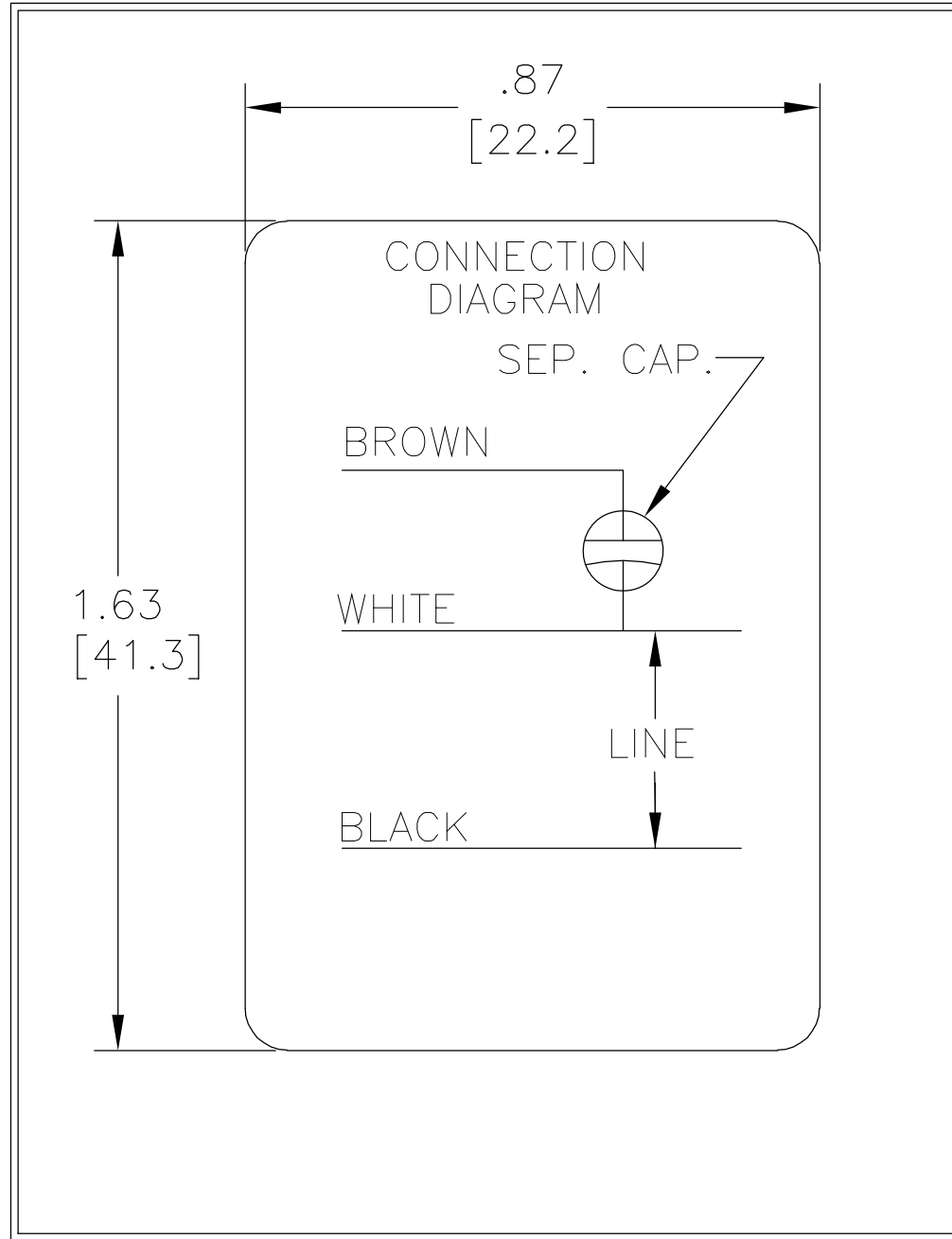
GEOMETRIC CHARACTERISTICS & SYMBOLS
 ▭ FLATNESS
 — STRAIGHTNESS
 < ANGLARITY
 ⊥ PERPENDICULARITY (SQUARENESS)
 // PARALLELISM
 ○ ROUNDNESS (CIRCULARITY)
 ⌀ CYLINDRICITY
 △ PROFILE OF ANY SURFACE
 ∩ PROFILE OF ANY LINE
 ↑ RUNOUT
 ⊕ TRUE POSITION
 ⊙ CONCENTRICITY
 ≡ SYMMETRY

UNLESS OTHERWISE SPECIFIED
 DIM. TOLERANCES ARE AS FOLLOWS:
 INCH X XX XXX XXXX
 ±.1 ±.02 ±.005 ±.0005
 mm ±0.5 ±0.13 ±0.013
 ANG. ±.50 DEG
 REMOVE BURRS & BREAK SHARP EDGES:
 INCH .003-.015 mm 0.1-0.4
 CORNER FILLETS TO:
 INCH .020 mm 0.5
 MACHINE SURFACES:
 INCH 125 mm 3.2
 METRIC DIMS. SHOWN IN [BRACKETS]

DR BY: N.LONG 07/14/1986
 APPD:
 THIRD ANGLE PROJECTION  EDS DATE 02-22-2008
 FORMAT REV F
 CONFIDENTIAL: THIS DRAWING AND ITS INFORMATION ARE THE EXCLUSIVE AND CONFIDENTIAL PROPERTY OF A.O. SMITH CORP. AND ARE NOT TO BE DISCLOSED, DUPLICATED, DISTRIBUTED OR OTHERWISE USED WITHOUT THE WRITTEN CONSENT OF A.O. SMITH CORP.
 -ALL RIGHTS RESERVED. ASME Y14.5M 1994

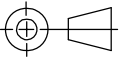
 ELECTRICAL PRODUCTS COMPANY <small>innovation has a name. A DIVISION OF A. O. SMITH CORPORATION</small>	
DESCRIPTION CONN DIAGRAM-NAMEPLATE	
SIZE A	DWG NO 614131-004
SCALE NONE	SHEET 1


REVISION:	ECO	REVISADO POR:	FECHA:	APROBADO POR:	FECHA:
A	0017050	VICTOR MIJARES	03-01-2011	CCONTRERAS	03-01-2011



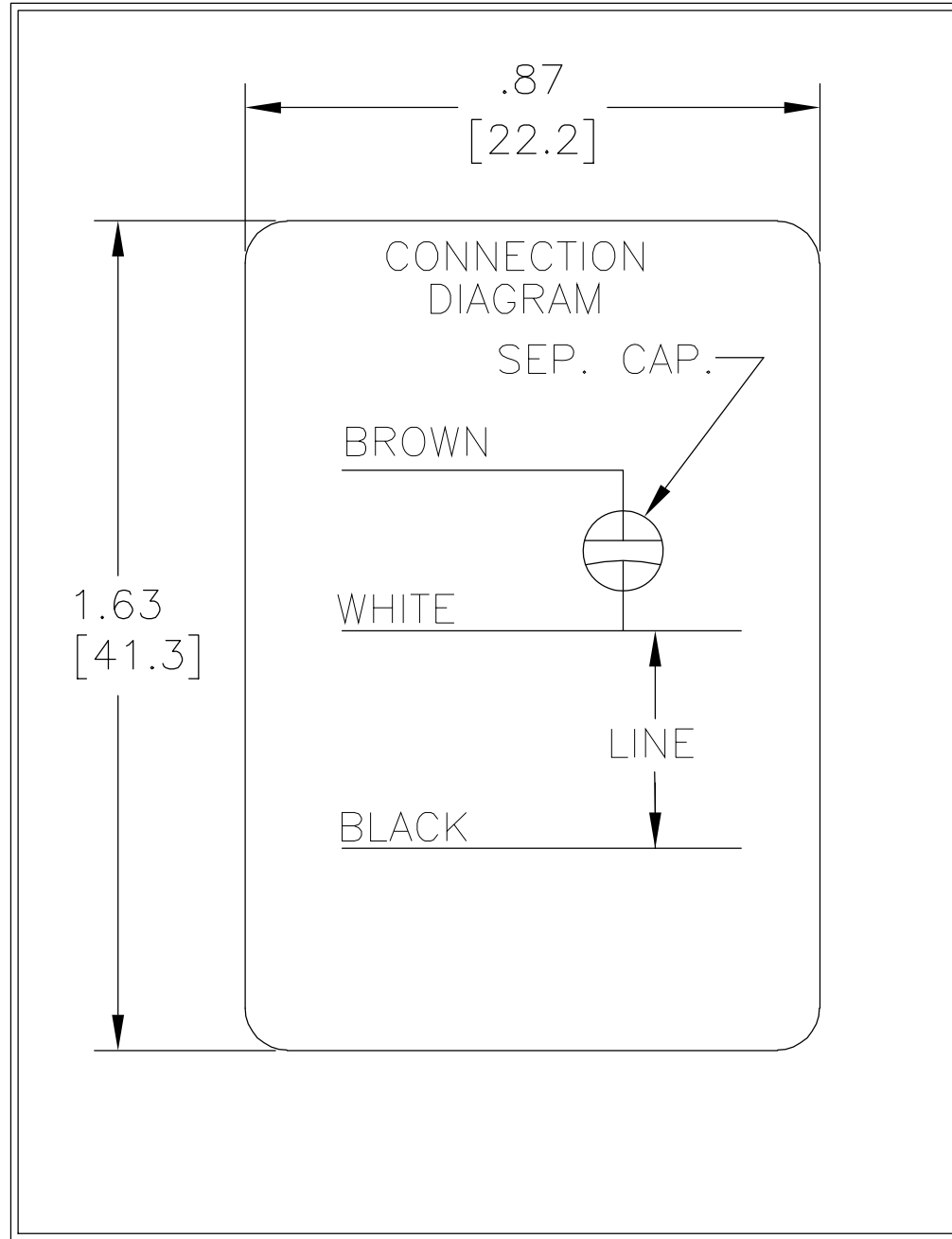
CARACTERISTICAS DE GEOMETRIA Y SIMBOLOS
 ▯ PLANICIDAD
 — RECTITUD
 < ANGULARIDAD
 ⊥ PERPENDICULARIDAD (A ESCUADRA)
 // PARALELISMO
 ○ REDONDEZ (CIRCULARIDAD)
 ∅ CILINDRICIDAD
 △ PERFIL DE CUALQUIER SUPERFICIE
 ∩ PERFIL DE CUALQUIER LINEA
 ↑ VARIACION
 ⊕ POSICION REAL
 ⊙ CONCENTRICIDAD
 ≡ SIMETRIA

A MENOS QUE SE ESPECIFIQUE DE OTRA MANERA, LAS TOLERANCIAS DE LAS DIMS; SON LAS SIGUIENTES:
 X XX XXX XXXX
 PULG ±.1 ±.02 ±.005 ±.0005
 mm ±0.5 ±0.13 ±0.013
 ANG. ±.50 GRADOS
 ELIMINAR REBABAS Y ORILLAS FILOSAS DEL BORDE.
 PULG .003-.015 mm 0.1-0.4
 FILETEAR ESQUINA: PULG .020 mm 0.5
 MAQUINAR SUPERFICIES
 PULG 125 mm 3.2
 DIMS METRICAS MOSTRADAS [PARENTESIS]

DIBUJADO POR: N.LONG 07/14/1986
 APROBADO POR:
 TERCER ANGULO DE PROYECCION  FECHA EDS: 02-22-2008
 REV. FORMATO: F
 CONFIDENCIAL: ESTE DIBUJO Y SU INFORMACION SON PROPIEDAD DE USO EXCLUSIVO Y CONFIDENCIAL DE A.O.SMITH CORP. Y NO DEBERAN SER REVELADOS, DUPLICADOS, DISTRIBUIDOS O USARSE DE OTRA MANERA SIN EL CONSENTIMIENTO ESCRITO DE A.O. SMITH CORP.
 -TODOS LOS DERECHOS RESERVADOS.ASME Y14.5M 1994

 ELECTRICAL PRODUCTS COMPANY <small>A DIVISION OF A. O. SMITH CORPORATION</small>	
DESCRIPCION: CONN DIAGRAM-NAMEPLATE	
TAMAÑO: A	NUMERO DE DIBUJO: 614131-004
ESCALA:NONE	HOJA: 1

版本	ECO	编制	日期	批准	日期
A	0017050	VICTOR MIJARES	03-01-2011	CCONTRERAS	03-01-2011



- 形位公差
- 平面度
- 直线度
- ∠ 倾斜度
- ⊥ 垂直度
- // 平行度
- 圆度
- ⊘ 圆柱度
- △ 面轮廓度
- ∩ 线轮廓度
- ↗ 圆跳动
- ⊕ 位置度
- ◎ 同轴度
- ≡ 对称度

除另有注明
尺寸公差如下:

	X	XX	XXX	XXXX
英寸	±.1	±.02	±.005	±.0005
毫米	±0.5	±0.13	±0.013	
角度	±.50 度			
清理毛刺和尖棱				
英寸	.003-.015	毫米	0.1-0.4	
内圆角				
英寸	.020	毫米	0.5	
表面粗糙度				
英制	125	米制	3.2	

米制尺寸显示在 []

绘图:	N.LONG	07/14/1986
批准:		
第三角投影		图纸格式发布日期 02-22-2008 图纸格式版本 F
机密: 本图纸及相关信息所有权归A. O. SMITH公司所有。未经A. O. SMITH公司书面授权, 不得泄露、复制、传播或作其他用途。—版权所有		
ASME Y14.5M 1994		

		ELECTRICAL PRODUCTS COMPANY <small>A DIVISION OF A. O. SMITH CORPORATION</small>	
名称 CONN DIAGRAM-NAMEPLATE			
图幅 A	图号 614131-004		
比例 NONE			页号 1