

# PRODUCT INFORMATION PACKET



Model No: OAN470

Catalog No: OAN470

OEM Replacement Motor, 1/4 HP, 1 Ph, 60/50 Hz, 460/380-415 V, 3600 RPM, 48Y Frame, OPEN



Regal and Century are trademarks of Regal Rexnord Corporation or one of its affiliated companies.

©2025 Regal Rexnord Corporation, All Rights Reserved. MC017097E





**Nameplate Specifications**

Phase	1	Output HP	1/4 Hp
Output KW	0.19 kW	Voltage	460/380-415 V
Speed	3200 rpm	Service Factor	1.0
Frame	48Y	Enclosure	Open Enclosed
Thermal Protection	Automatic	Ambient Temperature	40 °C
Frequency	60/50 Hz	Current	0.9 A
Duty	Continuous	Insulation Class	B
UL	Recognized	CSA	Y
CE	N	Number of Speeds	1

**Technical Specifications**

Electrical Type	Permanent Split Capacitor	Starting Method	Across The Line
Poles	2	Rotation	Counterclockwise Lead End
Mounting	Round Belly Band	Motor Orientation	Horizontal
Drive End Bearing	Ball	Opp Drive End Bearing	Ball
Frame Material	Rolled Steel	Shaft Type	Flat
Overall Length	8.74 in	Frame Length	4.98 in
Shaft Diameter	0.500 in	Shaft Extension	3-1/4 in
Connection Drawing	628042	Outline Drawing	F48AD51A01

This is an uncontrolled document once printed or downloaded and is subject to change without notice. Date Created:06/18/2025

4

3

2

1

GENERAL INFORMATION:

SHAFT RUNOUT: .001 [.03] T.I.R. PER INCH LENGTH OF EXTENSION

BEARINGS: BALL

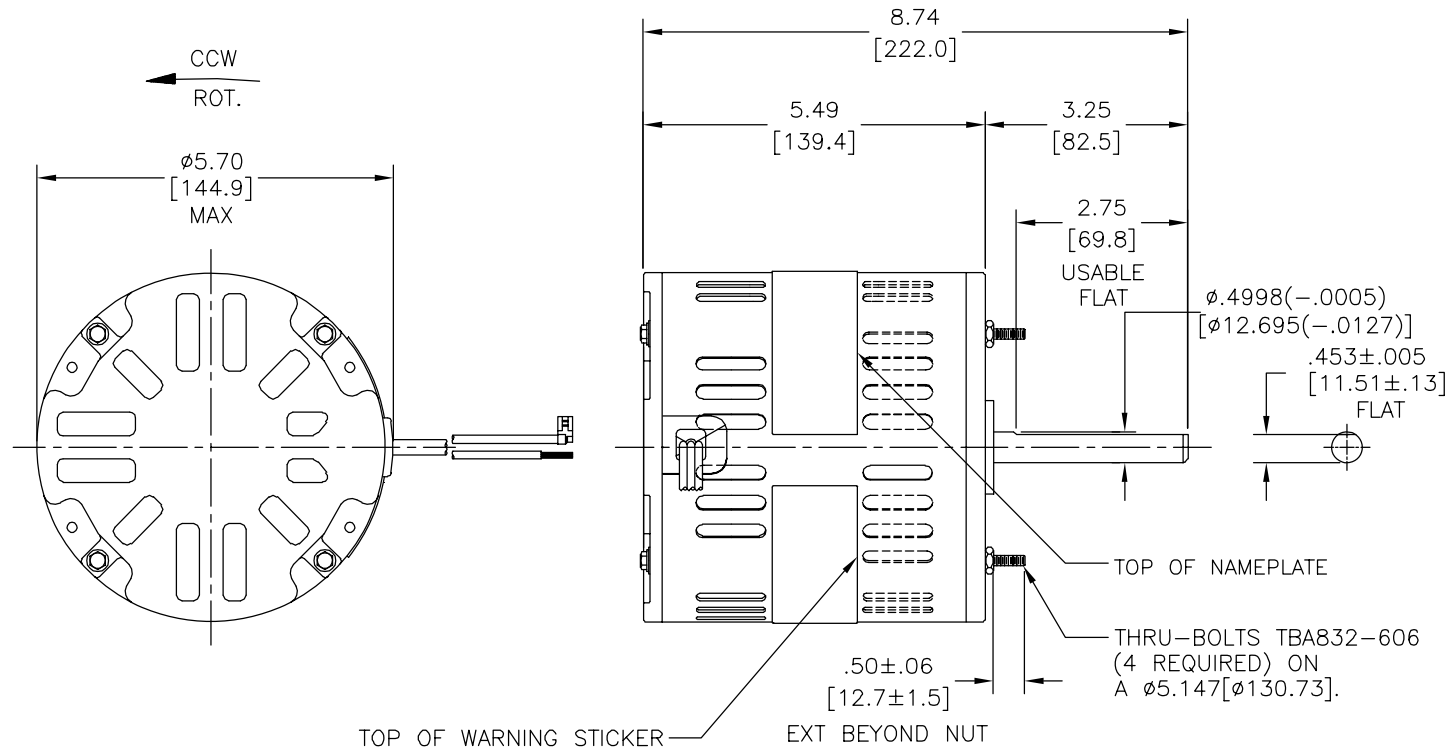
MOUNTING POSITION: HORIZONTAL

ELECTRICAL DATA:

OVERLOAD PROTECTOR: AUTOMATIC RESET (T.I. 7AM 036)

LEADS: NO. 18 GA., .03 THK. 125°C INSUL.

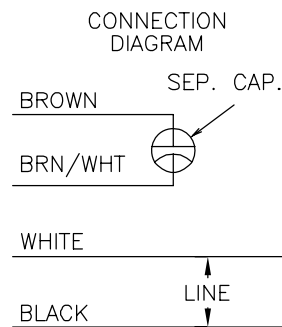
REV	ECO	REV BY	DATE	APPD	DATE
C	0025553	F. MORENO	05-01-2012	M. AVILA	05-01-2012



NAMEPLATE DATA:

MODEL NO.: F48AD51A01  
 CUST. P/N: OAN470  
 HP: 1/4  
 ROT.: CCWLE  
 RPM: 3200  
 TYPE: F  
 FRAME: 48Y  
 VOLTS: 460/380-415  
 PH: 1  
 AMPS: 0.9  
 HZ: 60/50  
 INS.: B  
 AMB.: 40°C  
 DUTY: CONT.  
 CAP.: 5 MFD/370 V  
 ENCL: OPEN  
 UL LOGO  
 CSA LOGO  
 THERMALLY PROTECTED

EXTERNAL CONNECTION DIAGRAM



614131-007

BROWN	11.0/12.0 [279/305]	.25[6.4] FLAG
BROWN/WHITE	11.0/12.0 [279/305]	.25[6.4] FLAG
BLACK	11.0/12.0 [279/305]	.50[12.7] SKIN
WHITE	11.0/12.0 [279/305]	.50[12.7] SKIN

COLOR	LENGTH	TERMINAL OR STRIP LENGTH
		MAIN FRAME - OLE OPEN
		END FRAME - OLE OPEN
		MAIN FRAME - LE OPEN
		END FRAME - LE OPEN

ENCLOSURE	
CUSTOMER	DISTRIBUTION SERVICE

PREFORMANCE CURVE NO.	TORQUE @3200 RPM (25°C)	APPROVED SAMPLE	UL COMPONENT		CSA	
C32035	7.8 OZ.FT	0142911A	FILE #	CCN #	FILE #	CLASS #
			E46412	PRGY2	LR43341	4211-01

GEOMETRIC CHARACTERISTICS & SYMBOLS

- ▭ FLATNESS
- STRAIGHTNESS
- ∠ ANGULARITY
- ⊥ PERPENDICULARITY (SQUARENESS)
- ∥ PARALLELISM
- ROUNDNESS (CIRCULARITY)
- ⊘ CYLINDRICITY
- △ PROFILE OF ANY SURFACE
- ∩ PROFILE OF ANY LINE
- ↗ RUNOUT
- ⊕ TRUE POSITION
- ⊙ CONCENTRICITY
- ≡ SYMMETRY

ASME Y14.5M 1994

REGAL-BELOIT CORPORATION (RBC) PROVIDES TECHNICAL ASSISTANCE TO OUR CUSTOMERS IN SEVERAL AREAS. SINCE RBC DOES NOT RECEIVE ALL DATA CONCERNING THE USE AND APPLICATION OF THE MOTOR, THE SUITABILITY OF THE MOTOR FOR THE APPLICATION MUST BE DETERMINED BY THE CUSTOMER.

DIMENSIONS WITHOUT TOLERANCES ARE FOR REFERENCE ONLY.

DR BY: MH 10-23-2009

APPD: TR 10-23-2009

THIRD ANGLE PROJECTION

EDS DATE 11-11-2011  
 FORMAT REV G

CONFIDENTIAL: THIS DRAWING AND ITS INFORMATION ARE THE EXCLUSIVE AND CONFIDENTIAL PROPERTY OF REGAL-BELOIT CORPORATION AND ARE NOT TO BE DISCLOSED, DUPLICATED, DISTRIBUTED OR OTHERWISE USED WITHOUT THE WRITTEN CONSENT OF REGAL-BELOIT CORPORATION. -ALL RIGHTS RESERVED.



DESCRIPTION: MODEL-RFHP-48FR OUTLINE

SIZE C DWG NO F48AD51A01

SCALE NONE SHEET 1

4

3

2

1

4

3

2

1

REVISION:	ECO	REVISADO POR:	FECHA:	APROBADO POR:	FECHA:
C	0025553	F. MORENO	05-01-2012	M. AVILA	05-01-2012

INFORMACION GENERAL:

OSCILACION DE FLECHA: .001 [.03] T.I.R. PER INCH LENGTH OF EXTENSION

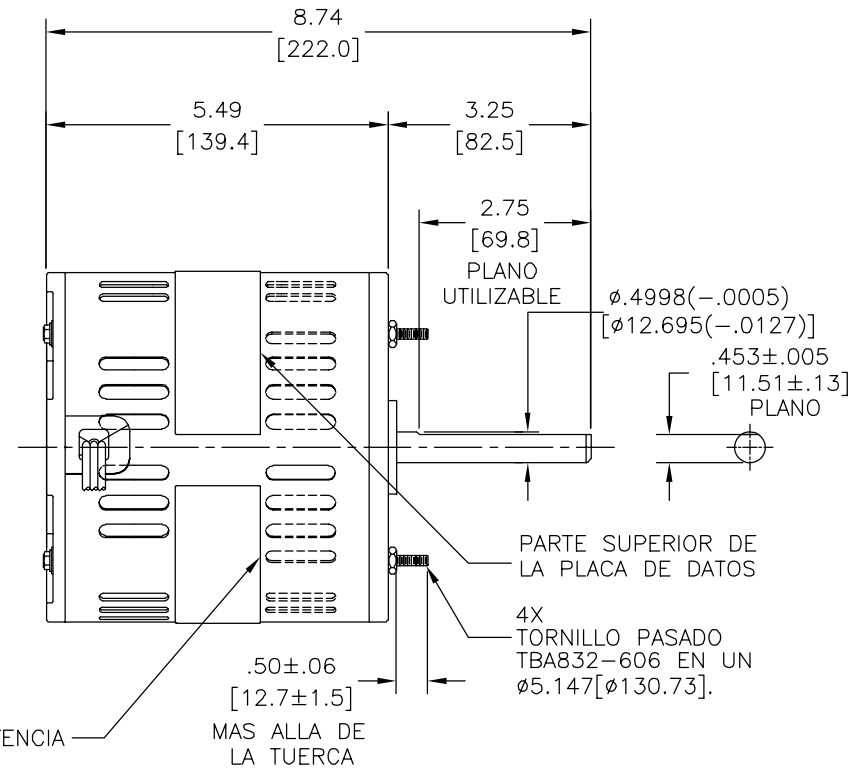
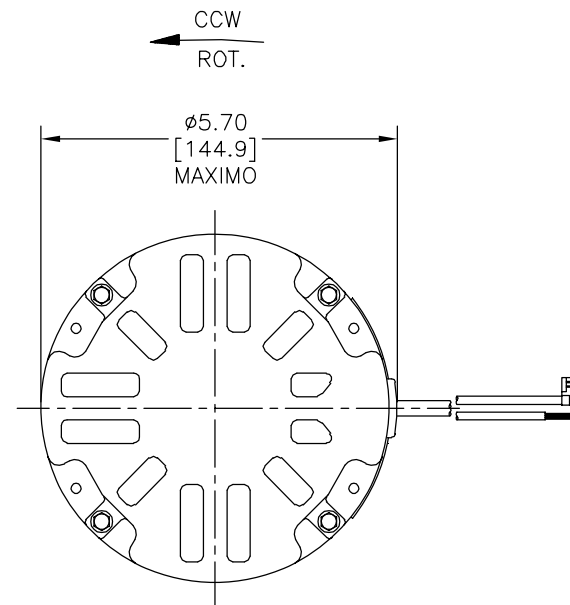
BALEROS: BALL

POSICION DEL MONTAJE: HORIZONTAL

INFORMACION ELECTRICA:

PROTECTOR DE SOBRECARGA: AUTOMATIC RESET (T.I. 7AM 036)

CABLES: NO. 18 GA., .03 THK. 125°C INSUL.



ETIQUETA SUPERIOR DE ADVERTENCIA

PLACA DE DATOS:	DIAGRAMA DE CONEXION EXTRNA
MODEL NO.: F48AD51A01 CUST. P/N: OAN470 HP: 1/4 ROT.: CCWLE RPM: 3200 TYPE: F FRAME: 48Y VOLTS: 460/380-415 PH: 1 AMPS: 0.9 HZ: 60/50 INS.: B AMB.: 40°C DUTY: CONT. CAP.: 5 MFD/370 V ENCL: OPEN UL LOGO CSA LOGO THERMALLY PROTECTED	CONNECTION DIAGRAM 

614131-007

CAFE	11.0/12.0 [279/305]	.25[6.4] BANDERA
CAFE/BLANCO	11.0/12.0 [279/305]	.25[6.4] BANDERA
NEGRO	11.0/12.0 [279/305]	.50[12.7] FORRO
BLANCO	11.0/12.0 [279/305]	.50[12.7] FORRO

COLOR	LONGITUD	TERMINAL O LONGITUD DE DESFORRE
		CARCASA - LOC
		TAPA - LOC
		CARCASA - LC
		TAPA - LC

ABIERTO
ABIERTO
ABIERTO
ABIERTO

CLIENTE	DISTRIBUTION SERVICE
---------	----------------------

CURVAS DE FUNCIONAMIENTO	TORSION @3200 RPM (25°C)	MUESTRA APROBADA	COMPONENTE UL	CSA
C32035	7.8 OZ.FT	0142911A	#ARCHIVO CCN # #ARCHIVO	CLASE #
			E46412 PRGY2 LR43341	4211-01

CARACTERISTICAS DE GEOMETRIA Y SIMBOLOS  
 □ PLANICIDAD  
 — RECTITUD  
 < ANGULARIDAD  
 ⊥ PERPENDICULARIDAD (A ESCUADRA)  
 // PARALELISMO  
 ○ REDONDEZ (CIRCULARIDAD)  
 ∅ CILINDRICIDAD  
 △ PERFIL DE CUALQUIER SUPERFICIE  
 ∩ PERFIL DE CUALQUIER LINEA  
 ∠ VARIACION  
 ⊕ POSICION REAL  
 ⊙ CONCENTRICIDAD  
 = SIMETRIA

REGAL-BELOIT CORPORATION (RBC) PROVEE ASISTENCIA TECNICA A NUESTROS CLIENTES EN VARIAS AREAS. DESDE QUE RBC NO RECIBE TODOS LOS DATOS EN RELACION AL USO Y A LA APLICACION DEL MOTOR, LA APLICACION ADECUADA DEL MOTOR DEBE SER DETERMINADA POR EL CLIENTE.

DIMENSIONES SIN TOLERANCIA SON DE REFERENCIA SOLAMENTE

DIBUJADO POR: MH 10-23-2009  
 APROBADO POR: TR 10-23-2009  
 TERCER ANGULO DE PROYECCION  
 CONFIDENCIAL: ESTE DIBUJO Y SU INFORMACION SON PROPIEDAD DE USO EXCLUSIVO Y CONFIDENCIAL DE REGAL-BELOIT CORPORATION. Y NO DEBERAN SER REVELADOS, DUPLICADOS, DISTRIBUIDOS O USARSE DE OTRA MANERA SIN EL CONSENTIMIENTO ESCRITO DE REGAL-BELOIT CORPORATION. -TODOS LOS DERECHOS RESERVADOS.



DESCRIPCION: MODEL-RFHP-48FR OUTLINE  
 TAMAÑO: C NUMERO DE DIBUJO: F48AD51A01  
 ESCALA: NONE HOJA: 1

4

3

2

1

4

3

2

1

总技术要求:

轴跳动: .001 [0.025] 外伸轴 PER INCH LENGTH OF EXTENSION

轴承: 球轴承

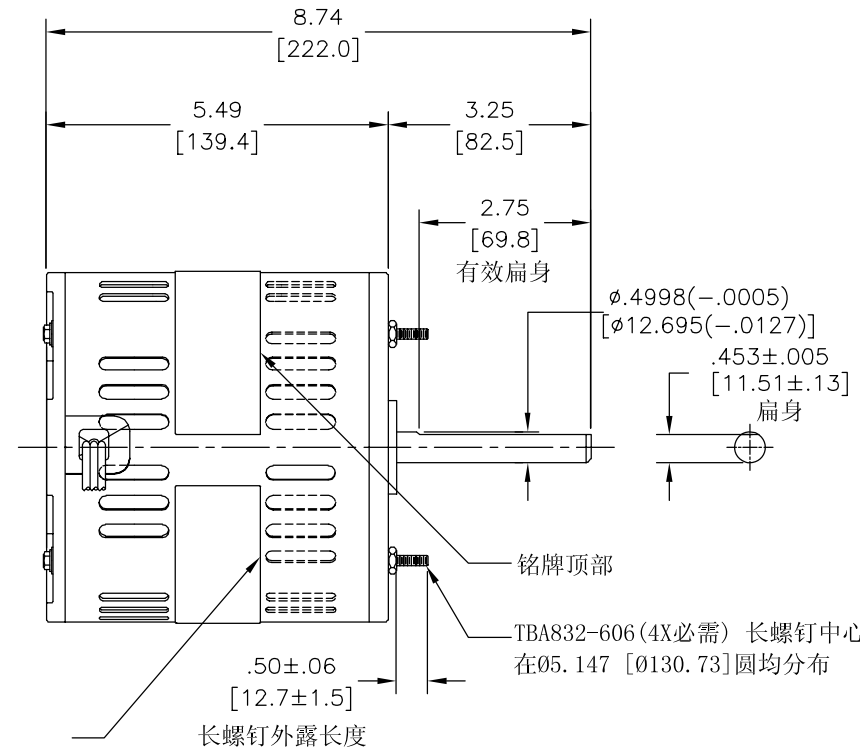
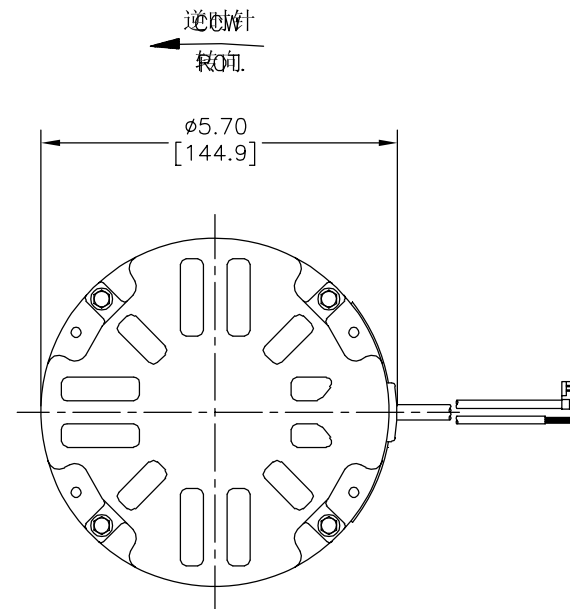
安装位置: 水平

版本	ECO	编制	日期	批准	日期
C	0025553	F. MORENO	05-01-2012	M. AVILA	05-01-2012

电气数据:

AUTOMATIC RESET (T.I. 7AM 036)

NO. 18 GA., .03 THK. 125°C INSUL.



铭牌数据	外部连接详图
MODEL NO.: F48AD51A01 CUST. P/N: OAN470 HP: 1/4 ROT.: CCWLE RPM: 3200 TYPE: F FRAME: 48Y VOLTS: 460/380-415 PH: 1 AMPS: 0.9 HZ: 60/50 INS.: B AMB.: 40°C DUTY: CONT. CAP.: 5 MFD/370 V ENCL: OPEN UL LOGO CSA LOGO THERMALLY PROTECTED	CONNECTION DIAGRAM  WHITE BLACK LINE 614131-007

褐色	11.0/12.0 [279/305]	.25[6.4] 铲形插
褐色/白色	11.0/12.0 [279/305]	.25[6.4] 铲形插
黑色	11.0/12.0 [279/305]	.50[12.7] 剥线长
白色	11.0/12.0 [279/305]	.50[12.7] 剥线长

颜色	长度	端子或剥线长度	非引线端机壳	非引线端端盖	引线端机壳	引线端端盖
			开放	开放	开放	开放
开启方式						

用户	DISTRIBUTION SERVICE
----	----------------------

C32035	7.8 OZ.FT	0142911A	E46412	PRGY2	LR43341	4211-01
--------	-----------	----------	--------	-------	---------	---------

REGAL-BELOIT CORPORATION (RBC) 在个别领域为客户提供技术支持。鉴于RBC未收到任何涉及电机使用和应用环境的数据，电机的适用性由客户自己决定。

未注公差尺寸仅供参考。

绘图:	MH	10-23-2009
批准:	TR	10-23-2009
第三角投影		图纸格式发布日期 11-11-2011 图纸格式版本 G
机密: 本图纸及相关信息所有权归REGAL-BELOIT CORPORATION。未经REGAL-BELOIT CORPORATION书面授权, 不得泄露、复制、传播或作其他用途。一版权所有		

名称	MODEL-RFHP-48FR OUTLINE
图幅	C
图号	F48AD51A01
比例	NONE
页号	1

- 形位公差
- 平面度
- 直线度
- ∠ 倾斜度
- ⊥ 垂直度
- // 平行度
- 圆度
- ⊘ 圆柱度
- ⊖ 面轮廓度
- ⊖ 线轮廓度
- ↗ 圆跳动
- ⊕ 位置度
- ⊙ 同轴度
- ≡ 对称度

ASME Y14.5M 1994

4

3

2

1