

PRODUCT INFORMATION PACKET



Model No: OB3204ES

Catalog No: OB3204ES

General Purpose Motor, 2.0 HP, 3 Ph, 60/50 Hz, 230/460 V, 1800 RPM, 56H Frame, DP



Regal and Century are trademarks of Regal Rexnord Corporation or one of its affiliated companies.
©2025 Regal Rexnord Corporation, All Rights Reserved. MC017097E





Nameplate Specifications

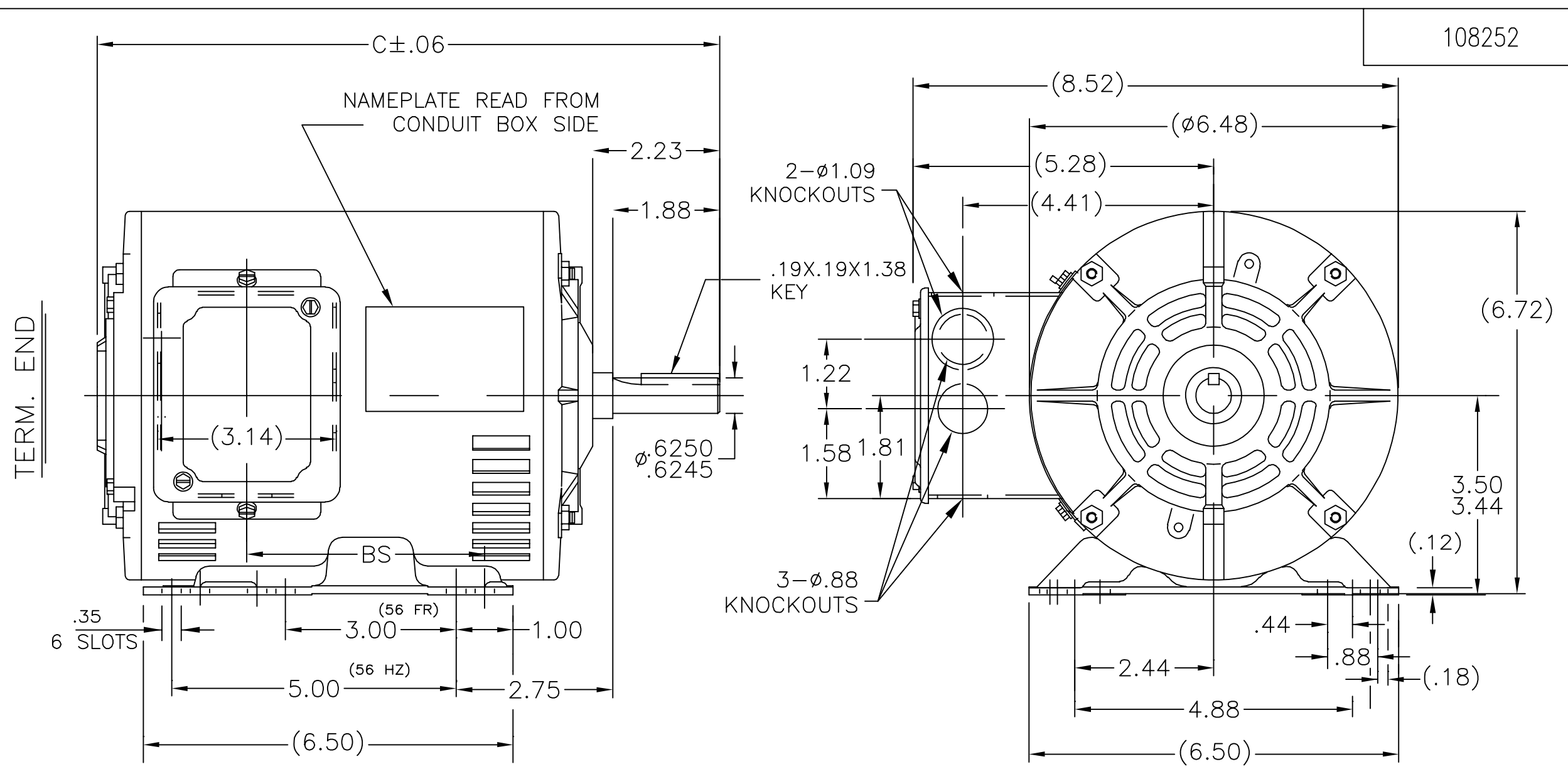
Phase	3	Output HP	2.0 Hp
Output KW	1.5 kW	Voltage	230/460 V
Speed	1725 rpm	Service Factor	1.15
Frame	56H	Enclosure	Drip Proof
Thermal Protection	No Protection	Ambient Temperature	40 °C
Frequency	60/50 Hz	Current	6.0/3.0 A
Duty	Continuous	Insulation Class	B
UL	Recognized	CSA	Y
CE	Y	Number of Speeds	1

Technical Specifications


Electrical Type	Three Phase	Starting Method	Across The Line
Poles	4	Rotation	Reversible
Mounting	Rigid Base	Drive End Bearing	Ball
Opp Drive End Bearing	Ball	Frame Material	Rolled Steel
Shaft Type	Keyed	Overall Length	13.44 in
Frame Length	9.66 in	Shaft Diameter	0.625 in
Shaft Extension	2.23 in		
Outline Drawing	108252	Connection Drawing	A-EE7308

This is an uncontrolled document once printed or downloaded and is subject to change without notice. Date Created:06/18/2025

108252



DASH	C	BS
956	13.44	6.25

				TOLERANCES UNLESS SPECIFIED		 Regal Beloit America, Inc.	DRAWN	PVR 12/26/14
				DEC.	INCHES		CHK	PI 12/26/14
				.X	±.1		APPD	
				.XX	±.03		SCALE	3=8
				.XXX	±.005		REF	
				.XXXX	±.0005	FMF		
NO.	REVISION	BY & DATE	CHK	ANG	±7'30"	FINISH	PREV	

TITLE OUTLINE
56 FR. - DR. PP. - BB - 3ø - 56H

THIS DRAWING IN DESIGN AND DETAIL IS OUR PROPERTY AND MUST NOT BE USED EXCEPT IN CONNECTION WITH OUR WORK ALL RIGHTS OF DESIGN AND INVENTION ARE RESERVED THIS IS AN ELECTRONICALLY GENERATED DOCUMENT - DO NOT SCALE THIS PRINT				RFP	CAD FILE 108252	SIZE	DRAWING NO.	PAGE	OF	REV.
				DIST	WP	A	108252			

EE7308

THREE PHASE
DUAL VOLTAGE MOTOR



REF.
WINDING DIAGRAM

T8Y, T2Y, T2BL, T4BX, T2EC, T2G
T6BZ, T2B, T6BL, T4AV, T6B, T4B

VIEW OF TERMINAL END

OPTIONAL CORD
CONNECTION

L1 — WHITE
L2 — RED
L3 — BLACK

NO.	REVISION	BY & DATE	CHK	ANG	TOLERANCES UNLESS SPECIFIED		FINISH	DRAWN RM 11/20/1990				
					DEC.	INCHES						
5	CHG TO REGAL LOGO	SL 09/10/2015	AB					CHK ML 11/21/1990				
4	REVISED IEC NOTATIONS	MSG 11/15/2011	CMN	.X	±.1			APPD SAS 04/24/2003				
3	ADDED IEC NOTATIONS... (U1), (V1) ETC. MU95194	MSG 5/10/2010	MJS	.XX	±.02			SCALE 1=1				
2	ADDED THE OPTIONAL CORD CONNECTION MU46318	RDH 04/24/2003	DRS	.XXX	±.005		TITLE CONNECTION DIAGRAM 3Ø - DUAL VOLTAGE MOTOR	REF				
1	REDRAWN	RM 11/20/1990		.XXXX	±.0005		MAT'L.	FMF				
					±7'30"			PREV				
THIS DRAWING IN DESIGN AND DETAIL IS OUR PROPERTY AND MUST NOT BE USED EXCEPT IN CONNECTION WITH OUR WORK ALL RIGHTS OF DESIGN AND INVENTION ARE RESERVED THIS IS AN ELECTRONICALLY GENERATED DOCUMENT - DO NOT SCALE THIS PRINT							RFP	CAD FILE ee7308	SIZE A	DRAWING NO. EE7308	PAGE OF 5	REV. 5
							DIST WP					



Regal Beloit America, Inc.