

PRODUCT INFORMATION PACKET



Model No: OBR40016

Catalog No: OBR40016

OEM Replacement Motor, 1/10 HP, 1 Ph, 60 Hz, 115 V, 1100 RPM, 1 Speed, 42 Frame, ENCLOSED



Regal and Century are trademarks of Regal Rexnord Corporation or one of its affiliated companies.
©2022 Regal Rexnord Corporation, All Rights Reserved. MC017097E





Nameplate Specifications

Output HP	1/10 Hp	Output KW	0.07 kW
Frequency	60 Hz	Voltage	115 V
Current	3.72 A	Speed	1100 rpm
Service Factor	1	Phase	1
Duty	Air Over	Insulation Class	B
Frame	42Y	Enclosure	Totally Enclosed
Thermal Protection	Automatic	Ambient Temperature	40 °C
UL	Recognized	CSA	Y
CE	N	Number of Speeds	1

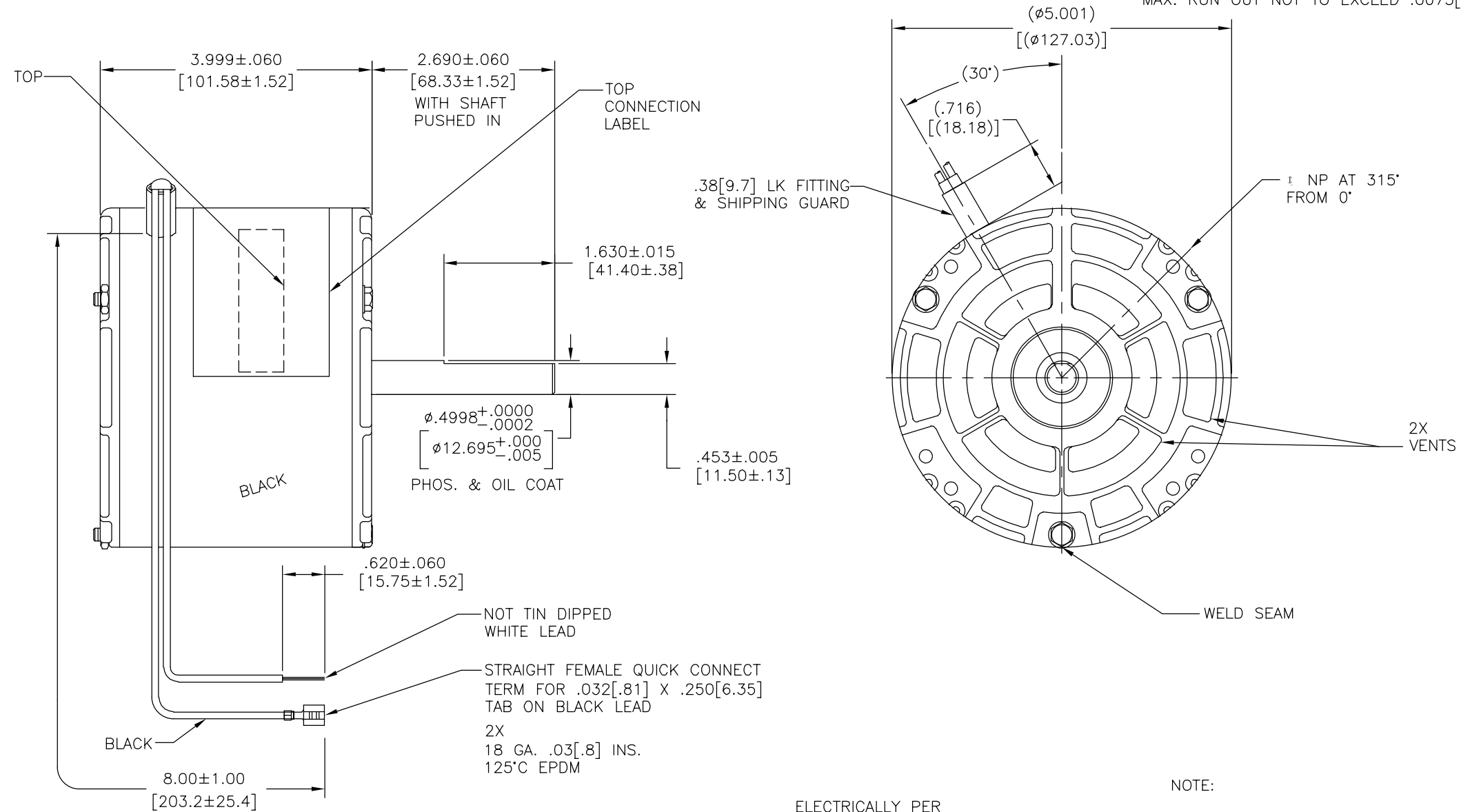
Technical Specifications

Electrical Type	Shaded Pole	Starting Method	Across The Line
Poles	6	Rotation	Counterclockwise Lead End
Mounting	Round Belly Band	Motor Orientation	Horizontal
Drive End Bearing	Sleeve	Opp Drive End Bearing	Sleeve
Frame Material	Rolled Steel	Shaft Type	Flat
Overall Length	6.68 in	Frame Length	3.42 in
Shaft Diameter	0.500 in	Shaft Extension	2.7 in
Outline Drawing	DA3F7173-S01		

This is an uncontrolled document once printed or downloaded and is subject to change without notice. Date Created:11/28/2022

CUSTOMER IS SOLELY RESPONSIBLE FOR MOTOR PERFORMANCE AND SUITABILITY IN APPLICATIONS FOR CUSTOMER'S USES.

END PLAY .005[.13] MIN - .040[1.02] MAX
 MAX. SHAFT RUN OUT .001[.03] PER INCH
 MAX. RUN OUT NOT TO EXCEED .0075[.191]



NOTE:

1. DISTRIBUTION PART NUMBER: OBR40016
GRAINGER PART NUMBER: 4VA25

ELECTRICALLY PER
 SAMPLE 0443186C
 CURVE# 32392

SEE NOTE 1

SCHEMATIC-283

ROT.:— CCWLE—CWSE

NAMEPLATE DATA:

Century TIPP CITY, OHIO THERMALLY PROTECTED

SER. DATE & PO# PLT LTR MOD DA3F173N"

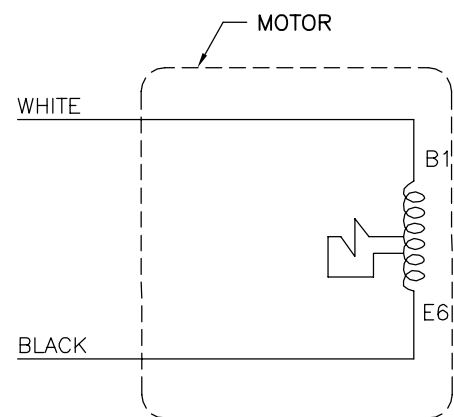
VOLTS 115 HZ 60 AMPS 3.72

RPM 1100 SP PH 1 CAP

INS CLB AMB 40 °C HP1/10 CONT AO ← ROTATION →

BRG SLV ASSEMBLED IN MEXICO

CONN. DIAG.
 63T7432-207



DRAWING REVISION E	REVISION BY P.ROJAS	DATE 06-12-2014
ECO ECO-0052992	APPROVED BY T.REYES	DATE 06-12-2014

ADDED CONNECTION DIAGRAM LOCATION

COPYRIGHT REGAL BELOIT AMERICA, INC. ALL RIGHTS RESERVED. PROPRIETARY AND CONFIDENTIAL INFORMATION - THIS DOCUMENT IS THE PROPERTY OF REGAL BELOIT AMERICA, INC. (OWNER) AND CONTAINS OWNER'S PROPRIETARY INFORMATION. ANY PERSON, CORPORATION OR OTHER FIRM RECEIVING IT IS DEEMED, BY RECEIVING IT, TO AGREE THAT IT, AND/OR ANY PART OF IT, SHALL NOT BE DISCLOSED TO ANY PERSON, CORPORATION OR OTHER ENTITY, DUPLICATED, AND/OR USED, EXCEPT AS EXPRESSLY APPROVED IN WRITING IN ADVANCE BY OWNER. THIS DOCUMENT SHALL BE RETURNED TO OWNER UPON REQUEST. IT MAY BE SUBJECT TO CERTAIN RESTRICTIONS UNDER APPLICABLE EXPORT CONTROL LAWS AND REGULATIONS.

DRAWN BY: L.BERNAL	DATE: 10-17-2012
APPROVED BY: A.BAUGHMAN	DATE: 10-17-2012
REFERENCE	THIRD ANGLE PROJECTION

REGAL Regal Beloit America, Inc.	
DESCRIPTION	MODEL-CFHP-42FR OUTLINE
MATERIAL	PROCESS/FINISH
SIZE DWG NO C DA3F7173	SHEET 1