

PRODUCT INFORMATION PACKET



Model No: OBR40066

Catalog No: OBR40066

OEM Replacement Motor, 1/15 HP, 1 Ph, 60 Hz, 115 V, 950 RPM, 1 Speed, 42 Frame, OAO



Regal and Century are trademarks of Regal Rexnord Corporation or one of its affiliated companies.

©2025 Regal Rexnord Corporation, All Rights Reserved. MC017097E





Nameplate Specifications

Phase	1	Output HP	1/15 Hp
Output KW	0.05 kW	Voltage	115 V
Speed	950 rpm	Service Factor	1.0
Frame	42Y	Enclosure	Open Air Over
Thermal Protection	Automatic	Ambient Temperature	40 °C
Frequency	60 Hz	Current	3.0 A
Duty	Air Over	Insulation Class	B
UL	Recognized	CSA	Y
CE	N	Number of Speeds	1

Technical Specifications

Electrical Type	Shaded Pole	Starting Method	Across The Line
Poles	6	Rotation	Counterclockwise Lead End
Mounting	Round Belly Band	Motor Orientation	Horizontal
Drive End Bearing	Sleeve	Opp Drive End Bearing	Sleeve
Frame Material	Rolled Steel	Shaft Type	Flat
Overall Length	7.50 in	Frame Length	2.92 in
Shaft Diameter	0.500 in	Shaft Extension	3 in
Outline Drawing	DA3D7224-S01		

This is an uncontrolled document once printed or downloaded and is subject to change without notice. Date Created:05/06/2025

4

3

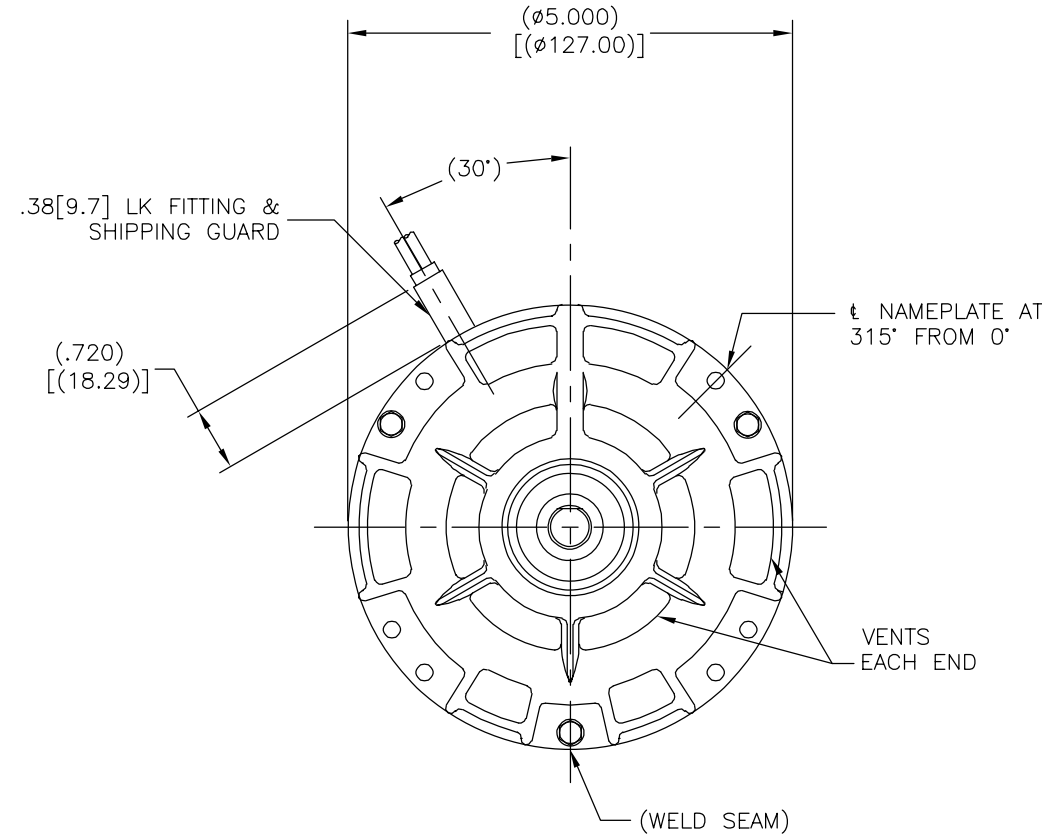
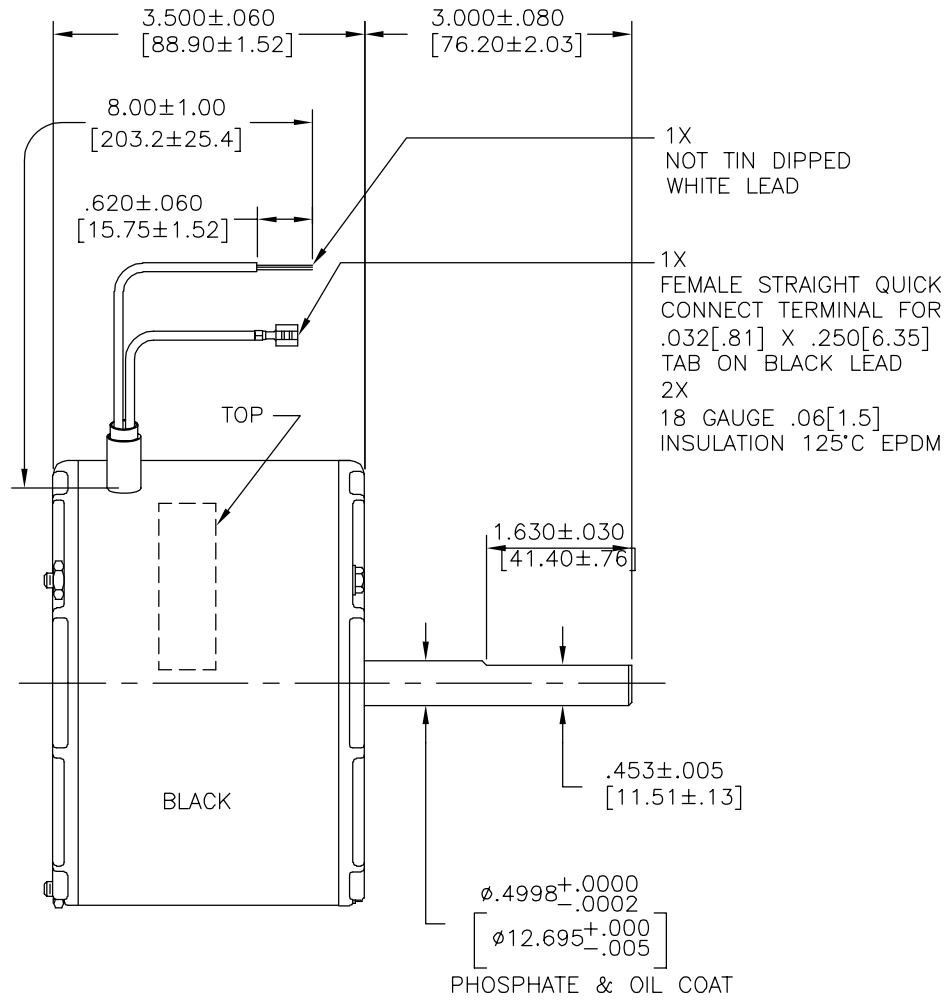
2

1

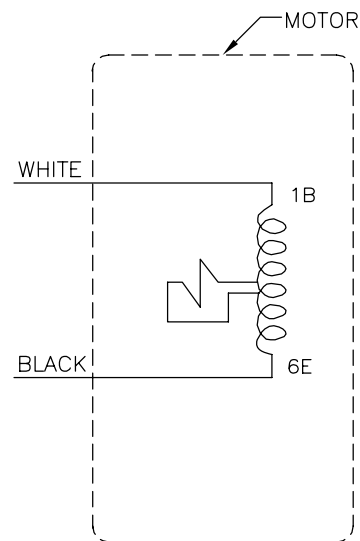
CUSTOMER IS SOLELY RESPONSIBLE FOR MOTOR PERFORMANCE AND SUITABILITY IN APPLICATIONS FOR CUSTOMER'S USES.

REV	ECO	REV BY	DATE	APPD	DATE
F	0029017	L. BERNAL	10-17-2012	R. RASCON	10-17-2012

END PLAY .005 [.13] MINIMUM - .040 [1.02] MAXIMUM
 MAXIMUM SHAFT RUN OUT .001 [.03] PER INCH
 MAXIMUM RUN OUT NOT TO EXCEED .010[.25]



SCHEMATIC-283



NOTE:
 DISTRIBUTION PART NUMBER: OBR40066
 GRAINGER PART NUMBER: 4VA23

GEOMETRIC CHARACTERISTICS & SYMBOLS

- FLATNESS
- STRAIGHTNESS
- ∠ ANGULARITY
- ⊥ PERPENDICULARITY (SQUARENESS)
- // PARALLELISM
- ROUNDNESS (CIRCULARITY)
- ∅ CYLINDRICITY
- △ PROFILE OF ANY SURFACE
- ∩ PROFILE OF ANY LINE
- ↗ RUNOUT
- ⊕ TRUE POSITION
- ◎ CONCENTRICITY
- ≡ SYMMETRY

ASME Y14.5M 1994

REGAL-BELOIT CORPORATION (RBC) PROVIDES TECHNICAL ASSISTANCE TO OUR CUSTOMERS IN SEVERAL AREAS. SINCE RBC DOES NOT RECEIVE ALL DATA CONCERNING THE USE AND APPLICATION OF THE MOTOR, THE SUITABILITY OF THE MOTOR FOR THE APPLICATION MUST BE DETERMINED BY THE CUSTOMER.

DIMENSIONS WITHOUT TOLERANCES ARE FOR REFERENCE ONLY.

DR BY:	L. BERNAL	10-17-2012
APPD:	A. BAUGHMAN	10-17-2012
THIRD ANGLE PROJECTION		EDS DATE 11-11-2011 FORMAT REV H
CONFIDENTIAL: THIS DRAWING AND ITS INFORMATION ARE THE EXCLUSIVE AND CONFIDENTIAL PROPERTY OF REGAL-BELOIT CORPORATION AND ARE NOT TO BE DISCLOSED, DUPLICATED, DISTRIBUTED OR OTHERWISE USED WITHOUT THE WRITTEN CONSENT OF REGAL-BELOIT CORPORATION. -ALL RIGHTS RESERVED.		

ROT: CCWLE

NAMEPLATE DATA:

Tipp City, OH
 THERMALLY PROTECTED

SER. DATE & PO# PLT LTR MOD DA3D224N" []
 VOLTS 115 HZ 60 AMPS 3.0
 RPM 950 SP 1 PH 1 CAP
 INS CL B AMB 40°C HP 1/15 CONT A.O. ← ROTATION →
 BRG SLV ASSEMBLED IN MEXICO

		REGAL-BELOIT CORPORATION
DESCRIPTION		
MODEL-RFHP-42FR OUTLINE		
SIZE	C	DWG NO DA3D7224
SCALE	NONE	SHEET 1

4

3

2

1

4

3

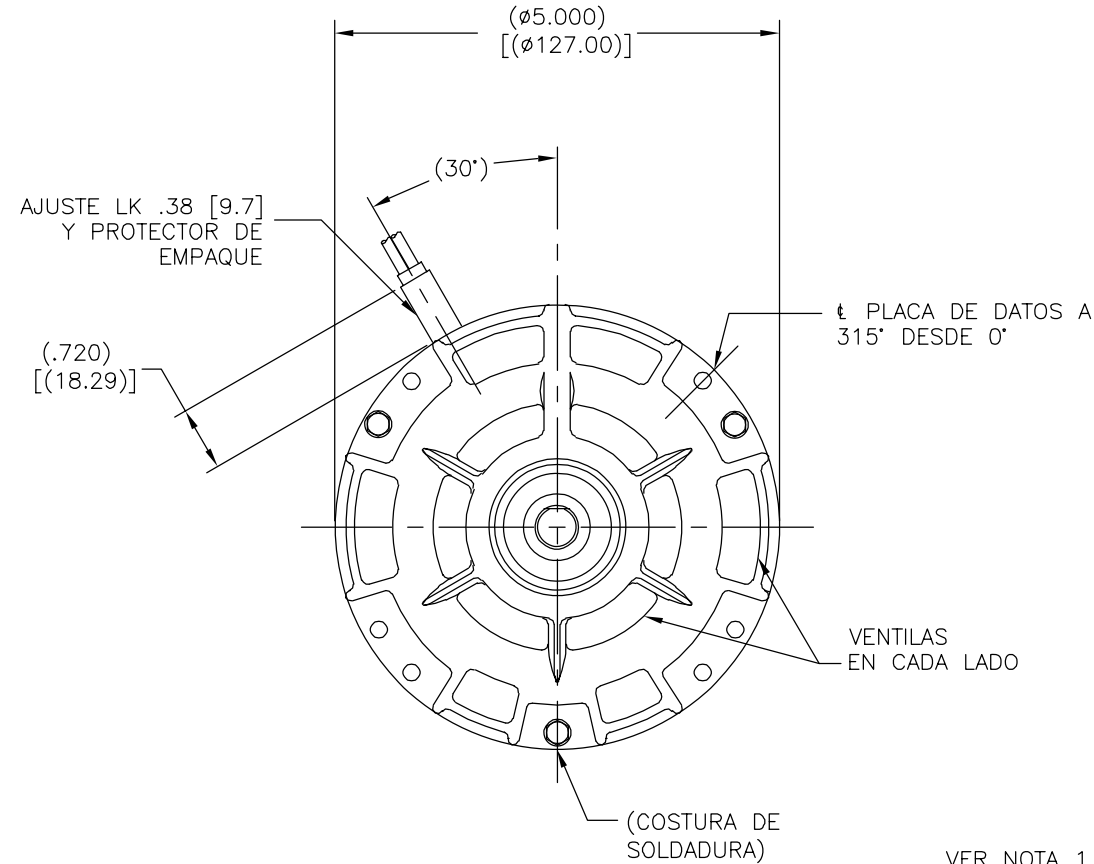
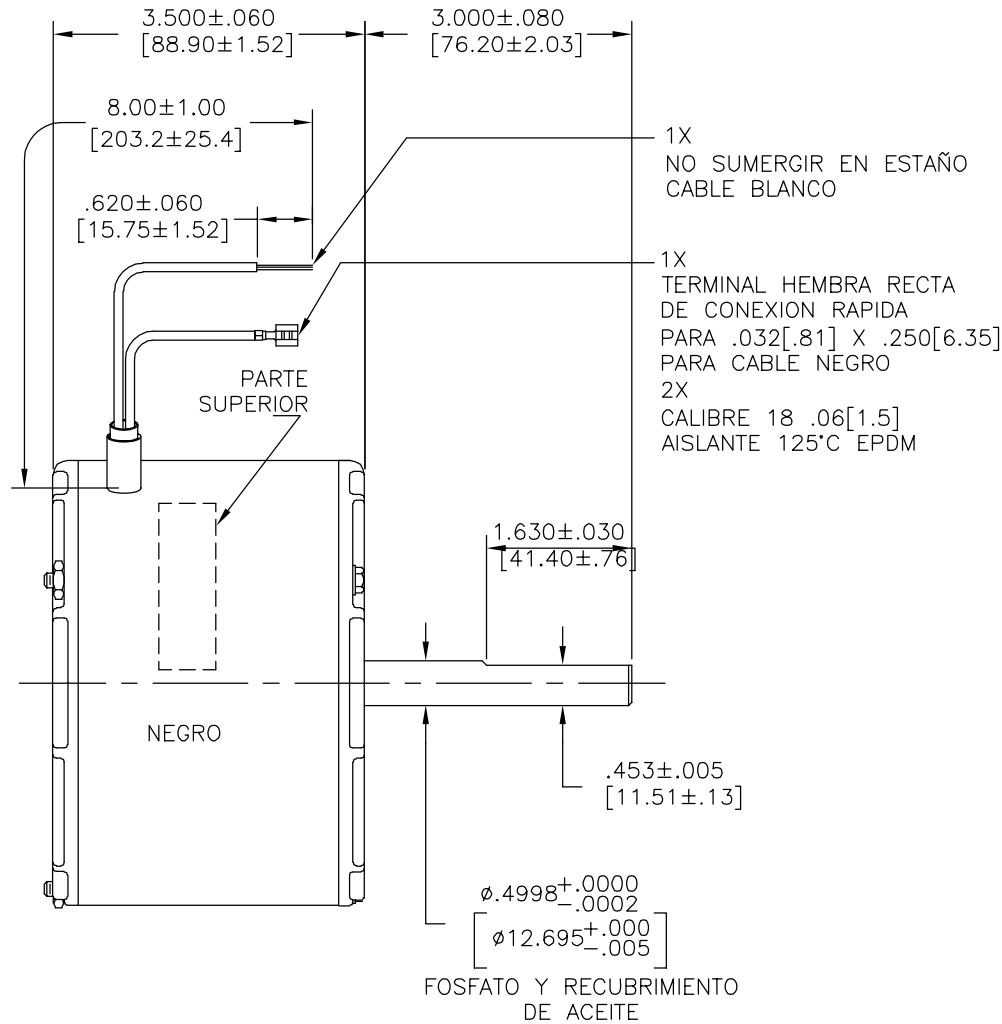
2

1

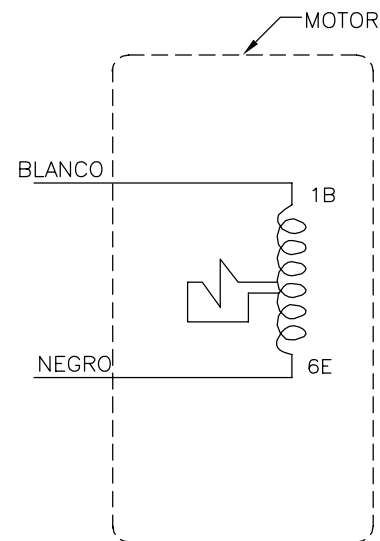
EL CLIENTE ES UNICAMENTE RESPONSABLE POR EL DESEMPEÑO DEL MOTOR Y APLICACIONES APROPIADAS PARA SU USO

REVISION:	ECO	REVISADO POR:	FECHA:	APROBADO POR:	FECHA:
F	0029017	L. BERNAL	10-17-2012	R. RASCÓN	10-17-2012

JUEGO AXIAL .005[0.13]MINIMO-.040[1.02]MAXIMO
 OSCILAMIENTO MAXIMO DE LA FLECHA .001[.03]POR PULGADA
 OSCILAMIENTO MAXIMO NO DEBERA EXCEDER .0075[.191]



ESQUEMA-283



NOTA:
 1. NUMERO DE PARTE DE DISTRIBUTION: OBR40066
 NUMERO DE PARTE GRAINGER : 4VA23

ELECTRICAMENTE DE ACUERDO A MUESTRA S-9776D SOLO ALTA VELOCIDAD C32445

ROT: CCWLE

INFORMACION DE PLACA DE DATOS:



SER. DATE & PO# PLT LTR MOD DA3D224N" []
 VOLTS 115 HZ 60 AMPS 3.0
 RPM 950 SP 1 PH 1 CAP
 INS CL B AMB 40°C HP 1/15 CONT A.O. ← ROTATION →
 BRG SLV ASSEMBLED IN MEXICO

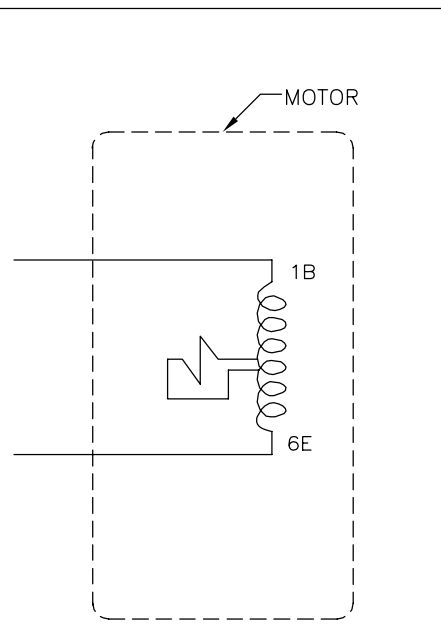
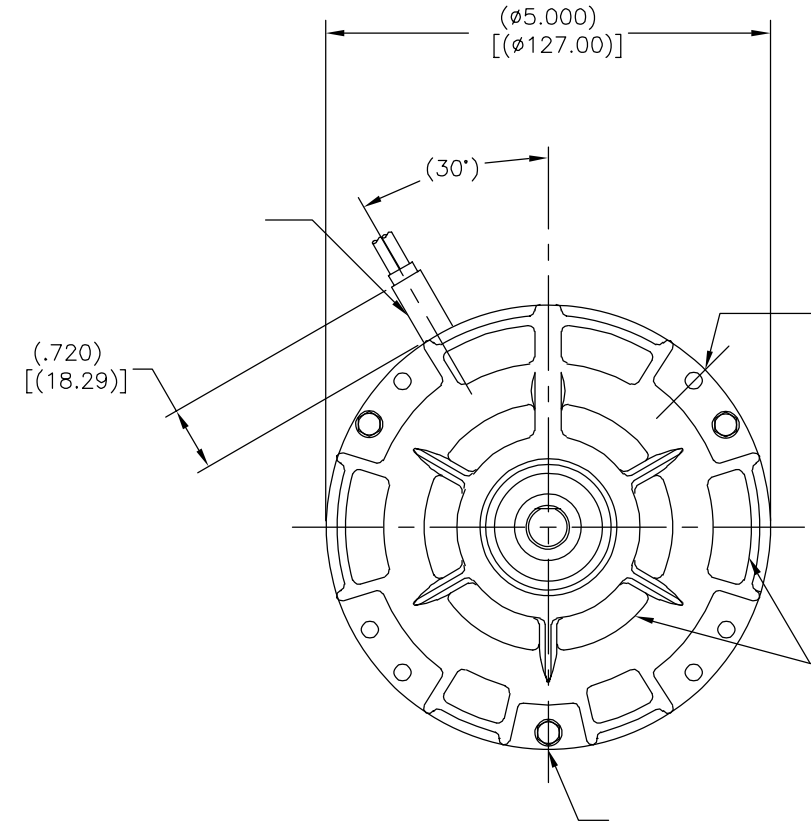
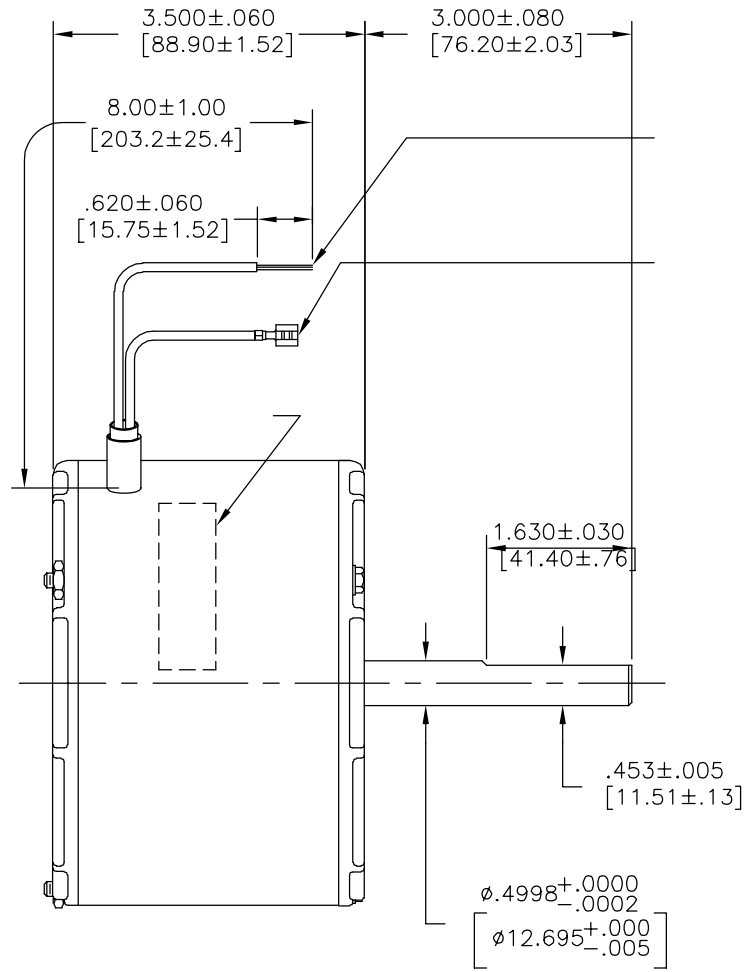
CARACTERISTICAS DE GEOMETRIA Y SIMBOLOS ▧ PLANICIDAD — RECTITUD < ANGULARIDAD ⊥ PERPENDICULARIDAD (A ESCUADRA) // PARALELISMO ○ REDONDEZ (CIRCULARIDAD) ∅ CILINDRICIDAD △ PERFIL DE CUALQUIER SUPERFICIE ∩ PERFIL DE CUALQUIER LINEA ↗ VARIACION ⊕ POSICION REAL ⊙ CONCENTRICIDAD = SIMETRIA	REGAL-BELOIT CORPORATION (RBC) PROVEE ASISTENCIA TECNICA A NUESTROS CLIENTES EN VARIAS AREAS. DESDE QUE RBC NO RECIBE TODOS LOS DATOS EN RELACION AL USO Y A LA APLICACION DEL MOTOR, LA APLICACION ADECUADA DEL MOTOR DEBE SER DETERMINADA POR EL CLIENTE.
---	---

DIMENSIONES SIN TOLERANCIA SON DE REFERENCIA SOLAMENTE
--

DIBUJADO POR: L. BERNAL	10-17-2012
APROBADO POR: A. BAUGHMAN	10-17-2012
TERCER ANGULO DE PROYECCION	FECHA EDS: 11-11-2011 REV. FORMATO: H
CONFIDENCIAL: ESTE DIBUJO Y SU INFORMACION SON PROPIEDAD DE USO EXCLUSIVO Y CONFIDENCIAL DE REGAL-BELOIT CORPORATION. Y NO DEBERAN SER REVELADOS, DUPLICADOS, DISTRIBUIDOS O USARSE DE OTRA MANERA SIN EL CONSENTIMIENTO ESCRITO DE REGAL-BELOIT CORPORATION. -TODOS LOS DERECHOS RESERVADOS.	

REGAL REGAL-BELOIT CORPORATION	
DESCRIPCION:	
MODEL-RFHP-42FR OUTLINE	
TAMAÑO: C	NUMERO DE DIBUJO: DA3D7224
ESCALA:NONE	HOJA: 1

版本	ECO	编制	日期	批准	日期
F	0029017	L. BERNAL	10-17-2012	R. RASCON	10-17-2012



ROT: CCWLE

Century Tipp City, OH
THERMALLY PROTECTED

SER. DATE & PO# PLT LTR MOD DA3D224N" []

VOLTS 115 HZ 60 AMPS 3.0

RPM 950 SP 1 PH 1 CAP

INS CL B AMB 40°C HP 1/15 CONT A.O. ← ROTATION →

BRG SLV ASSEMBLED IN MEXICO

- 形位公差
- 平面度
 - 直线度
 - ∠ 倾斜度
 - ⊥ 垂直度
 - // 平行度
 - 圆度
 - ⊘ 圆柱度
 - ⌒ 面轮廓度
 - ⌓ 线轮廓度
 - ↻ 圆跳动
 - ⊕ 位置度
 - ⊙ 同轴度
 - ≡ 对称度

ASME Y14.5M 1994

REGAL-BELOIT CORPORATION (RBC) 在个别领域为客户提供技术支持。鉴于RBC未收到任何涉及电机使用和应用环境的数据，电机的适用性由客户自己决定。

未注公差尺寸仅供参考。

绘图:	L. BERNAL	10-17-2012
批准:	A. BAUGHMAN	10-17-2012
第三角投影		图纸格式发布日期 11-11-2011 图纸格式版本 H
机密: 本图纸及相关信息所有权归REGAL-BELOIT CORPORATION。未经REGAL-BELOIT CORPORATION书面授权, 不得泄露、复制、传播或作其他用途。—版权所有		

REGAL REGAL-BELOIT CORPORATION	
名称	MODEL-RFHP-42FR OUTLINE
图幅	C
图号	DA3D7224
比例	NONE
页号	1