

PRODUCT INFORMATION PACKET



Model No: OBR40086

Catalog No: OBR40086

OEM Replacement Motor, 1/12 HP, 1 Ph, 60 Hz, 115 V, 1000 RPM, 1 Speed, 42 Frame, OAO



Regal and Century are trademarks of Regal Rexnord Corporation or one of its affiliated companies.

©2022 Regal Rexnord Corporation, All Rights Reserved. MC017097E





Nameplate Specifications

Output HP	1/12 Hp	Output KW	0.06 kW
Frequency	60 Hz	Voltage	115 V
Current	3.7 A	Speed	1000 rpm
Service Factor	1	Phase	1
Duty	Air Over	Insulation Class	B
Frame	42Y	Enclosure	Open Air Over
Thermal Protection	Automatic	Ambient Temperature	40 °C
UL	Recognized	CSA	Y
CE	N	Number of Speeds	1

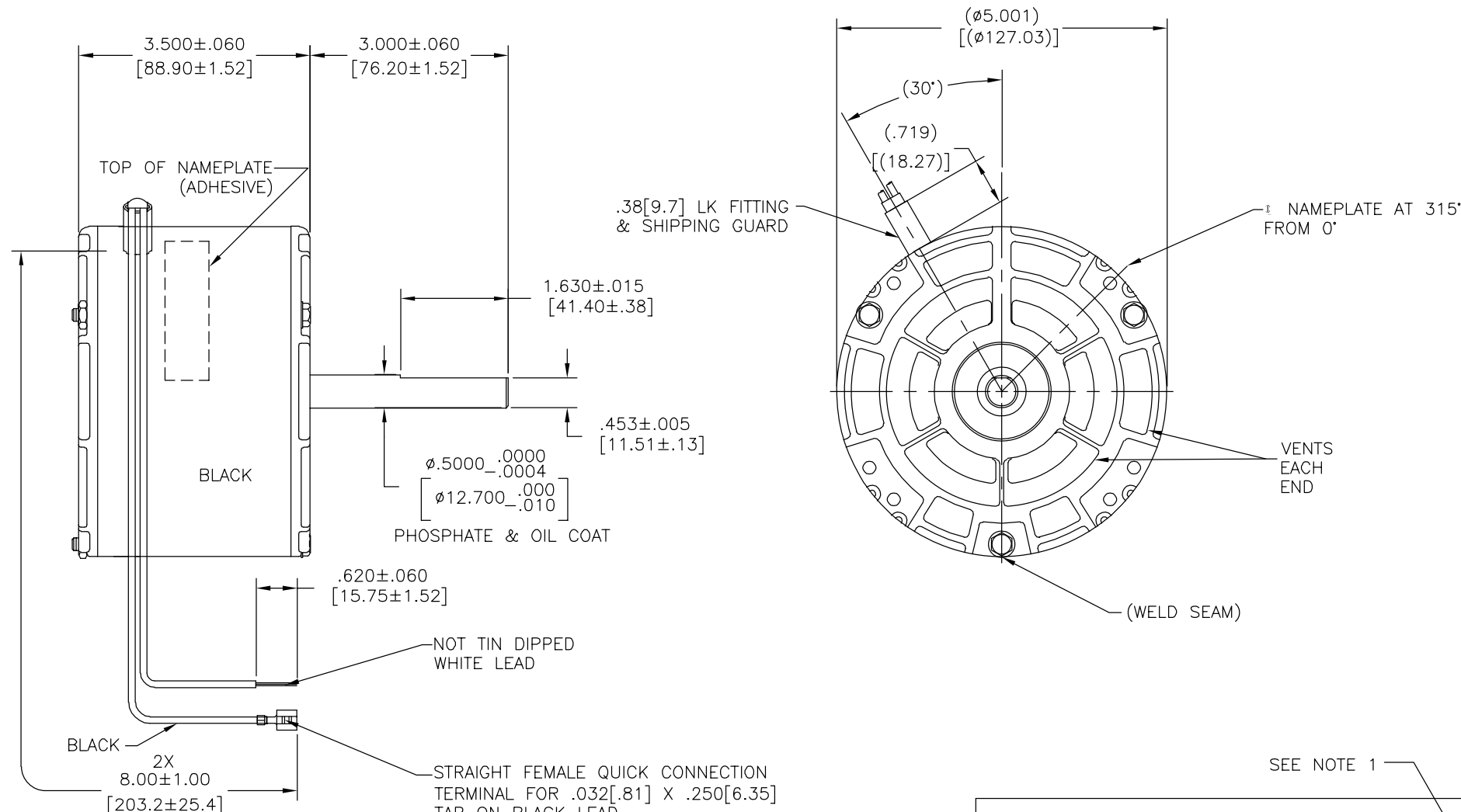
Technical Specifications

Electrical Type	Shaded Pole	Starting Method	Across The Line
Poles	6	Rotation	Counterclockwise Lead End
Mounting	Round Belly Band	Motor Orientation	Horizontal
Drive End Bearing	Sleeve	Opp Drive End Bearing	Sleeve
Frame Material	Rolled Steel	Shaft Type	Flat
Overall Length	7.50 in	Frame Length	2.92 in
Shaft Diameter	0.500 in	Shaft Extension	3 in
Outline Drawing	OBR40086-S01		

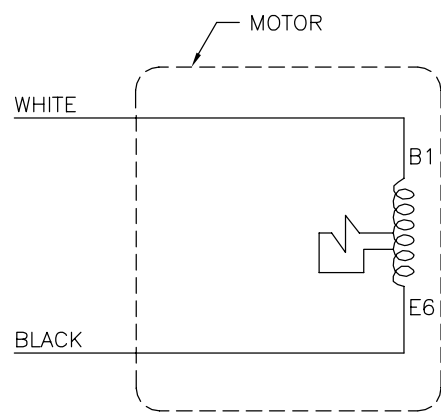
This is an uncontrolled document once printed or downloaded and is subject to change without notice. Date Created:11/28/2022

CUSTOMER IS SOLELY RESPONSIBLE FOR MOTOR PERFORMANCE AND SUITABILITY IN APPLICATIONS FOR CUSTOMER'S USES.

END PLAY .005[.13] MINIMUM - .040[1.02] MAXIMUM
 MAXIMUM SHAFT RUN OUT .001[.03] PER INCH
 MAXIMUM RUN OUT NOT TO EXCEED .0075[.191]



SCHEMATIC-283



NOTE:
 1. DISTRIBUTION PART NUMBER: OBR40086
 GRAINGER PART NUMBER: 4VA24


REGAL-BELOIT CORPORATION (RBC) PROVIDES TECHNICAL ASSISTANCE TO OUR CUSTOMERS IN SEVERAL AREAS. SINCE RBC DOES NOT RECEIVE ALL DATA CONCERNING THE USE AND APPLICATION OF THE MOTOR, THE SUITABILITY OF THE MOTOR FOR THE APPLICATION MUST BE DETERMINED BY THE CUSTOMER.


DIMENSIONS WITHOUT TOLERANCES ARE FOR REFERENCE ONLY.

DRAWING REVISION	REVISION BY	DATE
A	R.ZHOU	12-18-2014
ECO	APPROVED BY	DATE
0067208	C.ZHANG	12-18-2014
ECO DESCRIPTION		
SEE ECO		
<small>COPYRIGHT REGAL-BELOIT AMERICA, INC. ALL RIGHTS RESERVED. PROPRIETARY AND CONFIDENTIAL INFORMATION - THIS DOCUMENT IS THE PROPERTY OF REGAL-BELOIT AMERICA, INC. (OWNER) AND CONTAINS OWNER'S PROPRIETARY INFORMATION. ANY PERSON, CORPORATION OR OTHER FIRM RECEIVING IT IS DEEMED, BY RECEIVING IT, TO AGREE THAT IT, AND/OR ANY PART OF IT, SHALL NOT BE DISCLOSED TO ANY PERSON, CORPORATION OR OTHER ENTITY, DUPLICATED, AND/OR USED, EXCEPT AS EXPRESSLY APPROVED IN WRITING IN ADVANCE BY OWNER. THIS DOCUMENT SHALL BE RETURNED TO OWNER UPON REQUEST. IT MAY BE SUBJECT TO CERTAIN RESTRICTIONS UNDER APPLICABLE EXPORT CONTROL LAWS AND REGULATIONS.</small>		

ROT: CCWLE-CWSE

NAMEPLATE DATA:



Tipp City, OH
 THERMALLY PROTECTED 

SER. DATE & PO# PLT LTR MOD DA3E294N" []

VOLTS 115 HZ 60 AMPS 3.7

RPM 1000 SP PH 1 CAP

INS CL B AMB 40°C HP 1/12 CONT A.O. ← ROTATION → ASSEMBLED IN MEXICO

BRG SLV

ELECTRICALLY PER SAMPLE 0443185B CURVE# 32421

SEE NOTE 1

REGAL Regal Beloit America, Inc.

DESCRIPTION MODEL-RFHP-42FR OUTLINE

MATERIAL - PROCESS/FINISH -

SIZE DWG NO OBR40086

SHEET 1