

PRODUCT INFORMATION PACKET



Model No: OCA10086

Catalog No: OCA10086

OEM Replacement Motor, 1/12 HP, 1 Ph, 60 Hz, 208-230 V, 1100 RPM, 1 Speed, 48 Frame, TEAO



Regal and Century are trademarks of Regal Rexnord Corporation or one of its affiliated companies.
©2025 Regal Rexnord Corporation, All Rights Reserved. MC017097E





Nameplate Specifications

Phase	1	Output HP	1/12 Hp
Output KW	0.06 kW	Voltage	208-230 V
Speed	1100 rpm	Service Factor	1.0
Frame	48Y	Enclosure	Totally Enclosed Air Over
Thermal Protection	Automatic	Ambient Temperature	40 °C
Frequency	60 Hz	Current	0.53 A
Duty	Air Over	Insulation Class	B
UL	Recognized	CSA	Y
CE	N	Number of Speeds	1

Technical Specifications

Electrical Type	Permanent Split Capacitor	Starting Method	Across The Line
Poles	6	Rotation	Clockwise Lead End
Mounting	Extended Studs	Motor Orientation	Any
Drive End Bearing	Sleeve	Opp Drive End Bearing	Sleeve
Frame Material	Rolled Steel	Shaft Type	Flat
Overall Length	6.10 in	Frame Length	3.13 in
Shaft Diameter	0.500 in	Shaft Extension	2.1 in
Connection Drawing	614131-003	Outline Drawing	12056-072-S01

This is an uncontrolled document once printed or downloaded and is subject to change without notice. Date Created:02/10/2025

4 3 2 1

REV	ECO	REV BY	DATE	APPD	DATE
E	0025553	F. MORENO	05-01-2012	M. AVILA	05-01-2012

GENERAL INFORMATION:

SHAFT RUNOUT: .001 [.03] T.I.R. PER INCH LENGTH OF EXTENSION

END PLAY: .010[.25] TO .063[1.60]

BEARINGS: SLEEVE

MOUNTING POSITION: ALL ANGLE

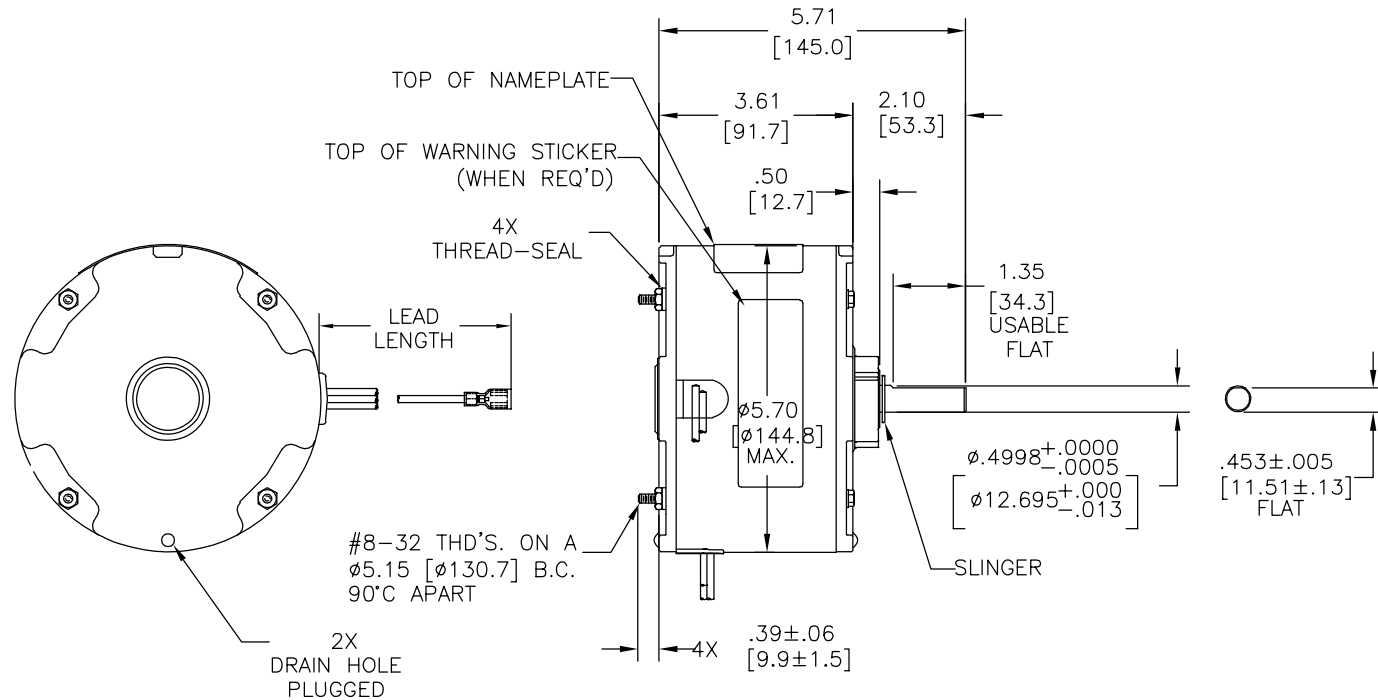
ELECTRICAL DATA:

OVERLOAD PROTECTOR: AUTOMATIC RESET (T.I. 7AM 036)

LEADS: NO. 18 GA., .06 [1.5] THK. PVC 105°C INSUL.

NOTES:
1. DISTRIBUTION: CUST. P/N: OCA10086
GRAINGER: CUST. P/N: 4UY85

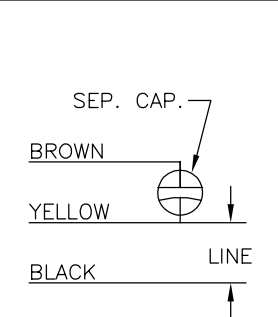
SEE NOTE 1



NAMEPLATE DATA:

MODEL NO.: F48V12A01
CUST. P/N: []
HP: 1/12
ROT.: CWLE
RPM: 1100
TYPE: UF
FRAME: 48Y
VOLTS: 208-230
PH: 1
AMPS: .53
HZ: 60
INS.: B
AMB.: 40 ° C
DUTY: AIR OVER
CAP.: 5 MFD/370 V
ENCL: ENCLOSED
UL LOGO
CSA LOGO
THERMALLY PROTECTED

EXTERNAL CONNECTION DIAGRAM



614131-003

BROWN	44.0/46.0 [1118/1168]	.25 [6.4] FRAME SPADE
YELLOW	44.0/46.0 [1118/1168]	.25 [6.4] FRAME SPADE
BLACK	44.0/46.0 [1118/1168]	.25 [6.4] FRAME SPADE
COLOR	LENGTH	TERMINAL OR STRIP LENGTH

MAIN FRAME - OLE	ENCLOSED
END FRAME - OLE	ENCLOSED W/ DRAIN HOLE
MAIN FRAME - LE	ENCLOSED
END FRAME - LE	ENCLOSED W/ DRAIN HOLE

CUST.	DIST. SERVICES
-------	----------------

PERFORMANCE CURVE NO.	TORQUE @ XXXX RPM (25°C)	APPROVED SAMPLE	UL COMPONENT FILE #	CCN #	CSA FILE #	CLASS #
C32307	7.3 OZ. FT.	0442594B	E46412	PRGY2	LR43341	260-Ø-0

GEOMETRIC CHARACTERISTICS & SYMBOLS
 ▭ FLATNESS
 - STRAIGHTNESS
 < ANGLARITY
 ⊥ PERPENDICULARITY (SQUARENESS)
 // PARALLELISM
 ○ ROUNDNESS (CIRCULARITY)
 ∅ CYLINDRICITY
 △ PROFILE OF ANY SURFACE
 ∩ PROFILE OF ANY LINE
 ↗ RUNDUT
 ⊕ TRUE POSITION
 ⊙ CONCENTRICITY
 = SYMMETRY
 ASME Y14.5M 1994

REGAL-BELOIT CORPORATION (RBC) PROVIDES TECHNICAL ASSISTANCE TO OUR CUSTOMERS IN SEVERAL AREAS. SINCE RBC DOES NOT RECEIVE ALL DATA CONCERNING THE USE AND APPLICATION OF THE MOTOR, THE SUITABILITY OF THE MOTOR FOR THE APPLICATION MUST BE DETERMINED BY THE CUSTOMER.
 DIMENSIONS WITHOUT TOLERANCES ARE FOR REFERENCE ONLY.

DR BY: K. GORDON 08-18-2004
 APPD:
 THIRD ANGLE PROJECTION
 EDS DATE 11-11-2011
 FORMAT REV G
 CONFIDENTIAL: THIS DRAWING AND ITS INFORMATION ARE THE EXCLUSIVE AND CONFIDENTIAL PROPERTY OF REGAL-BELOIT CORPORATION AND ARE NOT TO BE DISCLOSED, DUPLICATED, DISTRIBUTED OR OTHERWISE USED WITHOUT THE WRITTEN CONSENT OF REGAL-BELOIT CORPORATION. -ALL RIGHTS RESERVED.

REGAL-BELOIT CORPORATION
 DESCRIPTION: MODEL-RFHP-48FR OUTLINE
 SIZE C DWG NO 12056-072
 SCALE NONE SHEET 1

4 3 2 1

4 3 2 1

REVISION:	ECO	REVISADO POR:	FECHA:	APROBADO POR:	FECHA:
E	0025553	F. MORENO	05-01-2012	M. AVILA	05-01-2012

INFORMACION GENERAL:

OSCILACION DE FLECHA: .001 [.03] T.I.R. LONGITUD DE EXTENSION POR PULGADA

JUEGO AXIAL: .010[.25] TO .063[1.60]

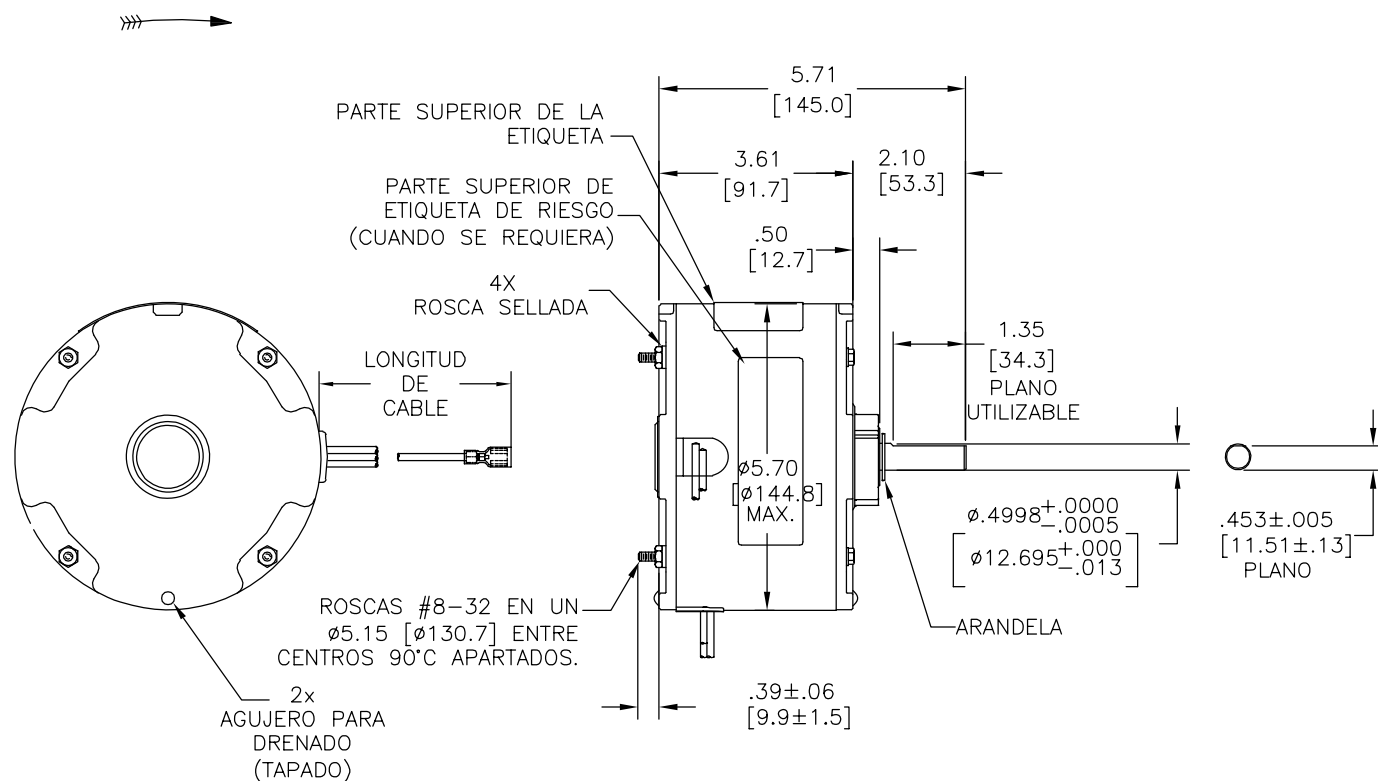
BALEROS MANGA

POSICION DE MONTAJE TODO EL ANGULO

DATOS ELECTRICOS:

SOBRECARGA DEL PROTECTOR REINICIO AUTOMATICO (T.I. 7AM 036)

CABLES NO. 18 GA., .06 [1.5] ESPESOR. PVC 105°C AISLAM.



A.O. SMITH PROVEE ASISTENCIA TECNICA A NUESTROS CLIENTES EN VARIAS AREAS. DESDE QUE A.O. SMITH NO RECIBE TODOS LOS DATOS EN RELACION AL USO Y A LA APLICACION DEL MOTOR, LA APLICACION ADECUADA DEL MOTOR DEBE SER DETERMINADA POR EL CLIENTE.

DIMENSIONES SIN TOLERANCIA SON DE REFERENCIA SOLAMENTE

CAFE	44.0/46.0 [1118/1168]	.25 [6.4] ENTORNO ESPADA
AMARILLO	44.0/46.0 [1118/1168]	.25 [6.4] ENTORNO ESPADA
NEGRO	44.0/46.0 [1118/1168]	.25 [6.4] ENTORNO ESPADA
COLOR	LONGITUD	TERMINAL O LONGITUD DE DESFORRE

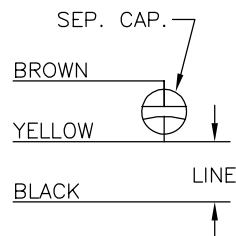
CUERPO PPAL. -OLE	ENCERRADO
TAPA FINAL- OLE	ENCERRADO / AGUJERO DRENADO
CUERPO PPAL. -OLE	ENCERRADO
TAPA FINAL- OLE	ENCERRADO / AGUJERO DRENADO

CLIENTE	DIST. SERVICES
---------	----------------

INFORMACION DE ETIQUETA:

MODEL NO.: F48V12A01
 CUST. P/N: []
 HP: 1/12
 ROT.: CWLE
 RPM: 1100
 TYPE: UF
 FRAME: 48Y
 VOLTS: 208-230
 PH: 1
 AMPS: .53
 HZ: 60
 INS.: B
 AMB.: 40 ° C
 DUTY: AIR OVER
 CAP.: 5 MFD/370 V
 ENCL: ENCLOSED
 UL LOGO
 CSA LOGO
 THERMALLY PROTECTED

DIAGRAMA DE CONEXION EXTERNA



614131-003

CURVAS DE FUNCIONAMIENTO	TORSION @--- RPM (25°C)	MUESTRA APROBADA	COMPONENTE UL #ARCHIVO	CCN #	CSA #ARCHIVO	CLASE #
C32307	7.3 OZ. FT.	0442594B	E46412	PRGY2	LR43341	260-ø-0

- CARACTERISTICAS DE GEOMETRIA Y SIMBOLOS
- ∇ PLANICIDAD
 - RECTITUD
 - ∠ ANGULARIDAD
 - ⊥ PERPENDICULARIDAD (A ESCUADRA)
 - // PARALELISMO
 - REDONDEZ (CIRCULARIDAD)
 - ∅ CILINDRICIDAD
 - △ PERFIL DE CUALQUIER SUPERFICIE
 - ∩ PERFIL DE CUALQUIER LINEA
 - ∧ VARIACION
 - ⊕ POSICION REAL
 - ◎ CONCENTRICIDAD
 - = SIMETRIA
- ASME Y14.5M 1994

REGAL-BELOIT CORPORATION (RBC) PROVEE ASISTENCIA TECNICA A NUESTROS CLIENTES EN VARIAS AREAS. DESDE QUE RBC NO RECIBE TODOS LOS DATOS EN RELACION AL USO Y A LA APLICACION DEL MOTOR, LA APLICACION ADECUADA DEL MOTOR DEBE SER DETERMINADA POR EL CLIENTE.

DIMENSIONES SIN TOLERANCIA SON DE REFERENCIA SOLAMENTE

DIBUJADO POR: K. GORDON 08-18-2004

APROBADO POR:

TERCER ANGULO DE PROYECCION FECHA EDS: 11-11-2011 REV. FORMATO: G

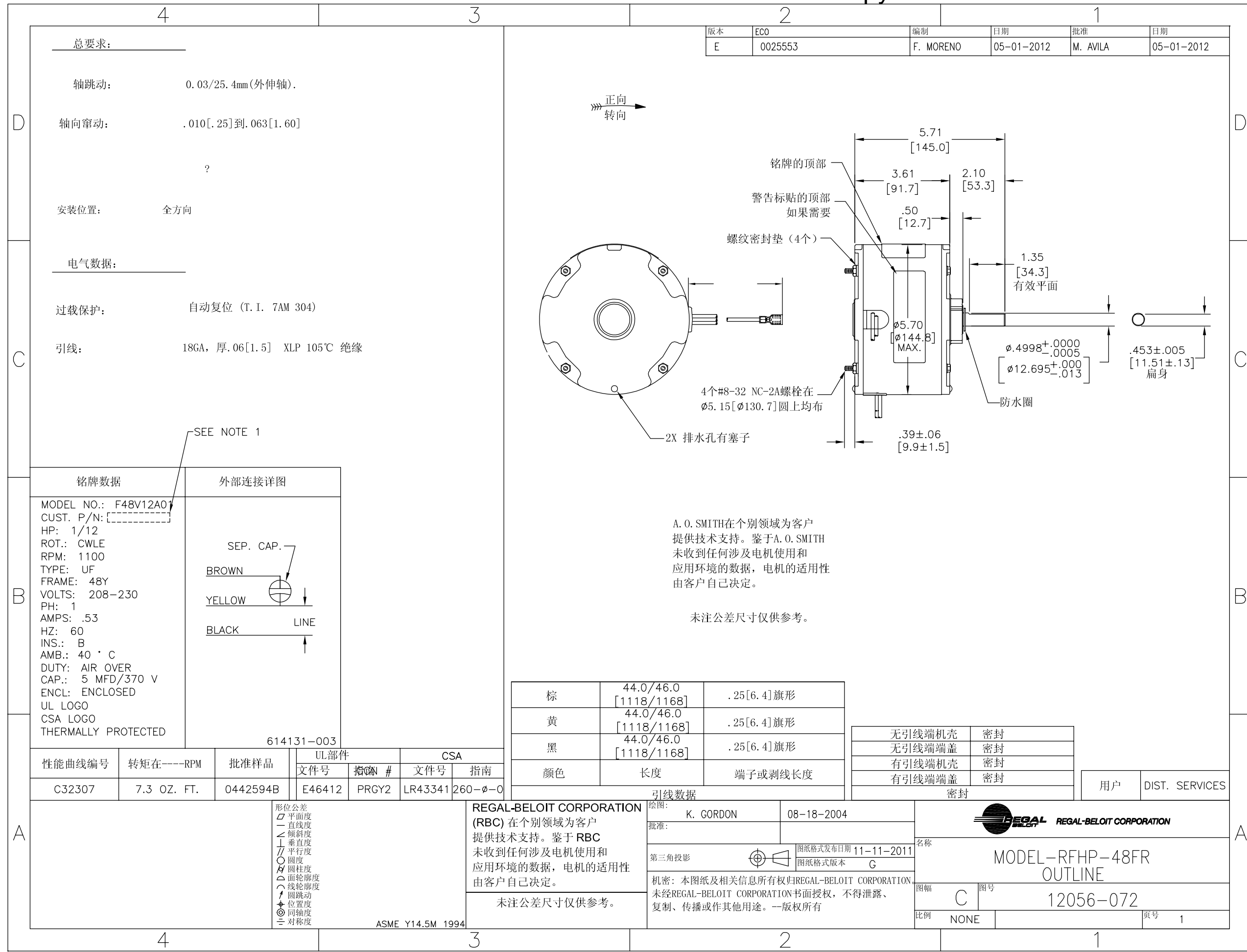
CONFIDENCIAL: ESTE DIBUJO Y SU INFORMACION SON PROPIEDAD DE USO EXCLUSIVO Y CONFIDENCIAL DE REGAL-BELOIT CORPORATION. Y NO DEBERAN SER REVELADOS, DUPLICADOS, DISTRIBUIDOS O USARSE DE OTRA MANERA SIN EL CONSENTIMIENTO ESCRITO DE REGAL-BELOIT CORPORATION. -TODOS LOS DERECHOS RESERVADOS.

DESCRIPCION: REGAL-BELOIT CORPORATION

MODEL-RFHP-48FR
OUTLINE

TAMAÑO: C NUMERO DE DIBUJO: 12056-072
 ESCALA: NONE HOJA: 1

4 3 2 1



版本	ECO	编制	日期	批准	日期
E	0025553	F. MORENO	05-01-2012	M. AVILA	05-01-2012

总要求:

轴跳动: 0.03/25.4mm(外伸轴).

轴向窜动: .010[.25]到.063[1.60]

安装位置: 全方向

电气数据:

过载保护: 自动复位 (T. I. 7AM 304)

引线: 18GA, 厚.06[1.5] XLP 105°C 绝缘

SEE NOTE 1

铭牌数据	外部连接详图
MODEL NO.: F48V12A01 CUST. P/N: [-----] HP: 1/12 ROT.: CWLE RPM: 1100 TYPE: UF FRAME: 48Y VOLTS: 208-230 PH: 1 AMPS: .53 HZ: 60 INS.: B AMB.: 40 ° C DUTY: AIR OVER CAP.: 5 MFD/370 V ENCL: ENCLOSED UL LOGO CSA LOGO THERMALLY PROTECTED	

A. O. SMITH在个别领域为客户
提供技术支持。鉴于A. O. SMITH
未收到任何涉及电机使用和
应用环境的数据，电机的适用性
由客户自己决定。

未注公差尺寸仅供参考。

棕	44.0/46.0 [1118/1168]	.25[6.4]旗形
黄	44.0/46.0 [1118/1168]	.25[6.4]旗形
黑	44.0/46.0 [1118/1168]	.25[6.4]旗形
颜色	长度	端子或剥线长度

无引线端机壳	密封
无引线端端盖	密封
有引线端机壳	密封
有引线端端盖	密封

用户	DIST. SERVICES
----	----------------

- 形位公差
- 平面度
- 直线度
- ∠ 倾斜度
- ⊥ 垂直度
- ∥ 平行度
- 圆度
- ⊙ 圆柱度
- ⌒ 面轮廓度
- 线轮廓度
- ↗ 圆跳动
- ⊕ 位置度
- ⊙ 同轴度
- ≡ 对称度

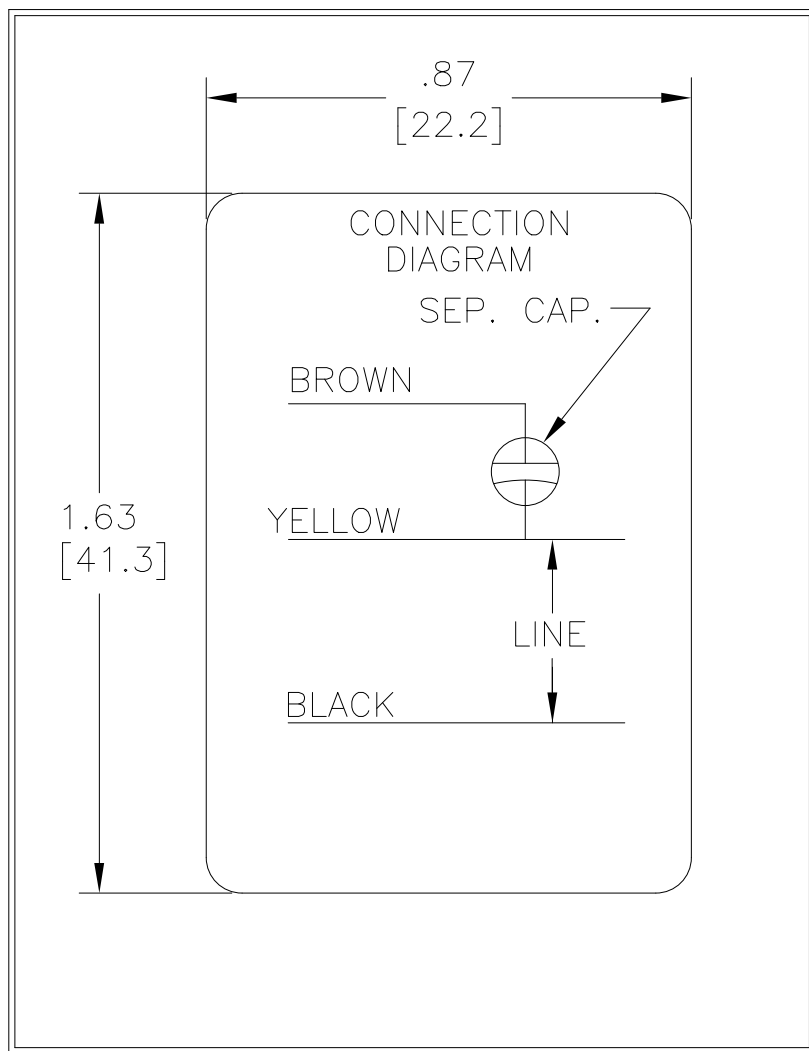
ASME Y14.5M 1994

REGAL-BELOIT CORPORATION (RBC) 在个别领域为客户
提供技术支持。鉴于 RBC
未收到任何涉及电机使用和
应用环境的数据，电机的适用性
由客户自己决定。

未注公差尺寸仅供参考。

绘图:	K. GORDON	08-18-2004
批准:		
第三角投影		图纸格式发布日期 11-11-2011 图纸格式版本 G
机密: 本图纸及相关信息所有权归REGAL-BELOIT CORPORATION。 未经REGAL-BELOIT CORPORATION书面授权，不得泄露、 复制、传播或作其他用途。一版权所有		

MODEL-RFHP-48FR OUTLINE	
图幅	图号
C	12056-072
比例	页号
NONE	1



DRAWING REVISION D	REVISION BY J. RUPERT	DATE 06-30-2023
ECO NMR-0223535	APPROVED BY J. RUPERT	DATE 06-30-2023

ECO DESCRIPTION
REVISED FOR UP ISSUE

COPYRIGHT REGAL BELOIT AMERICA, INC. ALL RIGHTS RESERVED.
 PROPRIETARY AND CONFIDENTIAL INFORMATION - THIS DOCUMENT IS THE PROPERTY OF
 REGAL BELOIT AMERICA, INC. ("OWNER") AND CONTAINS OWNER'S PROPRIETARY
 INFORMATION. ANY PERSON, CORPORATION OR OTHER FIRM RECEIVING IT IS DEEMED,
 BY RECEIVING IT, TO AGREE THAT IT, AND/OR ANY PART OF IT, SHALL NOT BE DISCLOSED
 TO ANY PERSON, CORPORATION OR OTHER ENTITY, DUPLICATED, AND/OR USED, EXCEPT
 AS EXPRESSLY APPROVED IN WRITING IN ADVANCE BY OWNER. THIS DOCUMENT SHALL
 BE RETURNED TO OWNER UPON REQUEST. IT MAY BE SUBJECT TO CERTAIN
 RESTRICTIONS UNDER APPLICABLE EXPORT CONTROL LAWS AND REGULATIONS.

TOLERANCES UNLESS OTHERWISE SPECIFIED			
DEC.	INCH	mm	ANGLE
.X	±0.1	[±2.5]	±0.5°
.XX	±0.02	[±0.51]	
.XXX	±0.005	[±0.127]	
.XXXX	±0.0005	[±0.0127]	
REMOVE BURRS & BREAK SHARP EDGES .003/.015 [.076/.381] X 45°			
CORNER FILLETS R.02 [.51]			
MACHINED SURFACES			
$\sqrt{125}$ INCH \sqrt{mm} $\sqrt{3.2}$			
mm SHOWN IN [BRACKETS]			

DRAWN BY: N. LONG
DATE: 07-14-1986
APPROVED BY:
DATE:
REFERENCE
THIRD ANGLE PROJECTION

REGAL ™ Regal Beloit America, Inc.	
DESCRIPTION CONN DIAGRAM-NAMEPLATE	
MATERIAL	PROCESS/FINISH
SIZE A	DWG NO 614131-003
6 of 6	
SHEET 1	