

PRODUCT INFORMATION PACKET



Model No: OCA10106
Catalog No: OCA10106

OEM Replacement Motor, 1/10 HP, 1 Ph, 60 Hz, 208-230 V, 1100 RPM, 1 Speed, 48 Frame, TEAO



Regal and Century are trademarks of Regal Rexnord Corporation or one of its affiliated companies.
©2025 Regal Rexnord Corporation, All Rights Reserved. MC017097E





Nameplate Specifications

Phase	1	Output HP	1/10 Hp
Output KW	0.07 kW	Voltage	208-230 V
Speed	1100 rpm	Service Factor	1.0
Frame	48Y	Enclosure	Totally Enclosed Air Over
Thermal Protection	Automatic	Ambient Temperature	40 °C
Frequency	60 Hz	Current	0.7 A
Duty	Air Over	Insulation Class	B
UL	Recognized	CSA	Y
CE	N	Number of Speeds	1

Technical Specifications

Electrical Type	Permanent Split Capacitor	Starting Method	Across The Line
Poles	6	Rotation	Clockwise Lead End
Mounting	Extended Studs	Motor Orientation	Any
Drive End Bearing	Sleeve	Opp Drive End Bearing	Sleeve
Frame Material	Rolled Steel	Shaft Type	Flat
Overall Length	6.00 in	Frame Length	3.00 in
Shaft Diameter	0.500 in	Shaft Extension	2.1 in
Connection Drawing	614131-003	Outline Drawing	11811-013-S01

This is an uncontrolled document once printed or downloaded and is subject to change without notice. Date Created:02/10/2025

4

3

2

1

REV	ECO	REV BY	DATE	APPD	DATE
E	0025553	F. MORENO	05-01-2012	M. AVILA	05-01-2012

GENERAL INFORMATION:

SHAFT RUNOUT: .001 [.03] T.I.R. PER INCH LENGTH OF EXTENSION

END PLAY: .010[.25] TO .063[1.60]

BEARINGS: SLEEVE

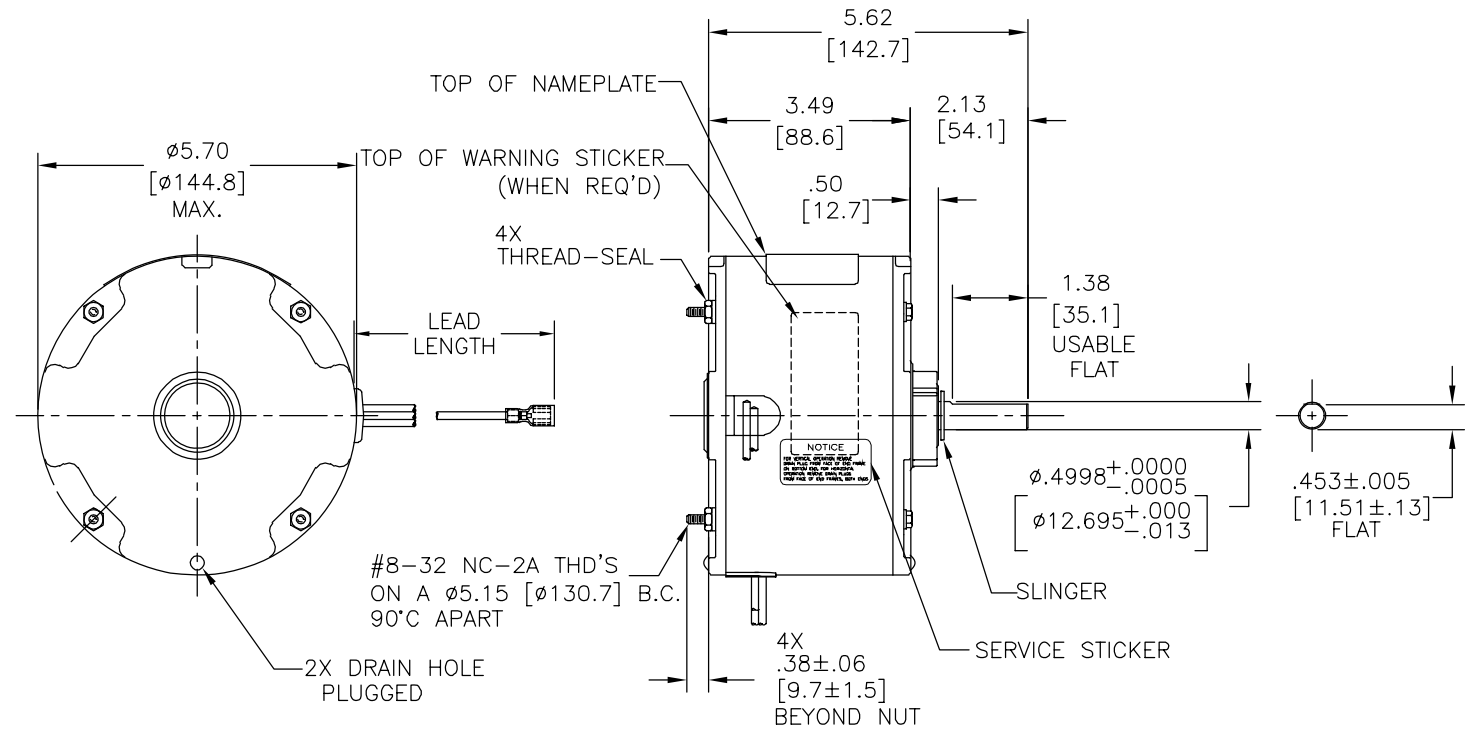
MOUNTING POSITION: ALL ANGLE

ELECTRICAL DATA:

OVERLOAD PROTECTOR: AUTOMATIC RESET (T.I. 7AM 036)

LEADS: NO. 18 GA., .06 [1.5] THK. PVC 105°C INSUL.

NOTES:
1. DISTRIBUTION CUST. P/N: OCA10106
GRAINGER CUST. P/N: 4UY86



SEE NOTE 1

NAMEPLATE DATA:	EXTERNAL CONNECTION DIAGRAM
MODEL NO.: F48V58A0 CUST. P/N: [] HP: 1/10 ROT.: CWLE RPM: 1100 TYPE: UF FRAME: 48Y VOLTS: 208-230 PH: 1 AMPS: .7 HZ: 60 INS.: B AMB.: 40 ° C DUTY: AIR OVER CAP.: 5 MFD/370 V ENCL: ENCLOSED UL LOGO CSA LOGO THERMALLY PROTECTED	<p>SEP. CAP. BROWN YELLOW BLACK LINE</p>

614131-003

BROWN	44.0/47.0 [1118/1194]	.25 [6.4] FEMALE SPADE
YELLOW	44.0/47.0 [1118/1194]	.25 [6.4] FEMALE SPADE
BLACK	44.0/47.0 [1118/1194]	.25 [6.4] FEMALE SPADE
COLOR	LENGTH	TERMINAL OR STRIP LENGTH

MAIN FRAME - OLE	ENCLOSED
END FRAME - OLE	ENCLOSED W/ DRAIN HOLE
MAIN FRAME - LE	ENCLOSED
END FRAME - LE	ENCLOSED W/ DRAIN HOLE

CUST. DIST. SERVICES

PERFORMANCE CURVE NO.	TORQUE @ XXXX RPM (25°C)	APPROVED SAMPLE	UL COMPONENT FILE #	CCN #	CSA FILE #	CLASS #
C32391	10.7 OZ. FT.	0442982B	E46412	PRGY2	LR43341	4211-01

GEOMETRIC CHARACTERISTICS & SYMBOLS ▽ FLATNESS - STRAIGHTNESS ∠ ANGULARITY ⊥ PERPENDICULARITY (SQUARENESS) ∥ PARALLELISM ○ ROUNDNESS (CIRCULARITY) ⌀ CYLINDRICITY △ PROFILE OF ANY SURFACE ▽ PROFILE OF ANY LINE ↗ RUNOUT ⊕ TRUE POSITION ⊙ CONCENTRICITY = SYMMETRY	REGAL-BELOIT CORPORATION (RBC) PROVIDES TECHNICAL ASSISTANCE TO OUR CUSTOMERS IN SEVERAL AREAS. SINCE RBC DOES NOT RECEIVE ALL DATA CONCERNING THE USE AND APPLICATION OF THE MOTOR, THE SUITABILITY OF THE MOTOR FOR THE APPLICATION MUST BE DETERMINED BY THE CUSTOMER. DIMENSIONS WITHOUT TOLERANCES ARE FOR REFERENCE ONLY.
---	--

ASME Y14.5M 1994

DR BY:	GORDON	10-14-2004
APPD:		
THIRD ANGLE PROJECTION	EDS DATE 11-11-2011	FORMAT REV G
CONFIDENTIAL: THIS DRAWING AND ITS INFORMATION ARE THE EXCLUSIVE AND CONFIDENTIAL PROPERTY OF REGAL-BELOIT CORPORATION AND ARE NOT TO BE DISCLOSED, DUPLICATED, DISTRIBUTED OR OTHERWISE USED WITHOUT THE WRITTEN CONSENT OF REGAL-BELOIT CORPORATION. -ALL RIGHTS RESERVED.		

DESCRIPTION	
MODEL-RFHP-48FR OUTLINE	
SIZE C	DWG NO 11811-013
SCALE NONE	SHEET 1

4

3

2

1

4

3

2

1

REVISION:	ECO	REVISADO POR:	FECHA:	APROBADO POR:	FECHA:
E	0025553	F. MORENO	05-01-2012	M. AVILA	05-01-2012

INFORMACION GENERAL:

OSCILACION DE FLECHA: .001 [.03] T.I.R. POR PULG. DE LONG. DE EXT.

BALEROS: MANGAS

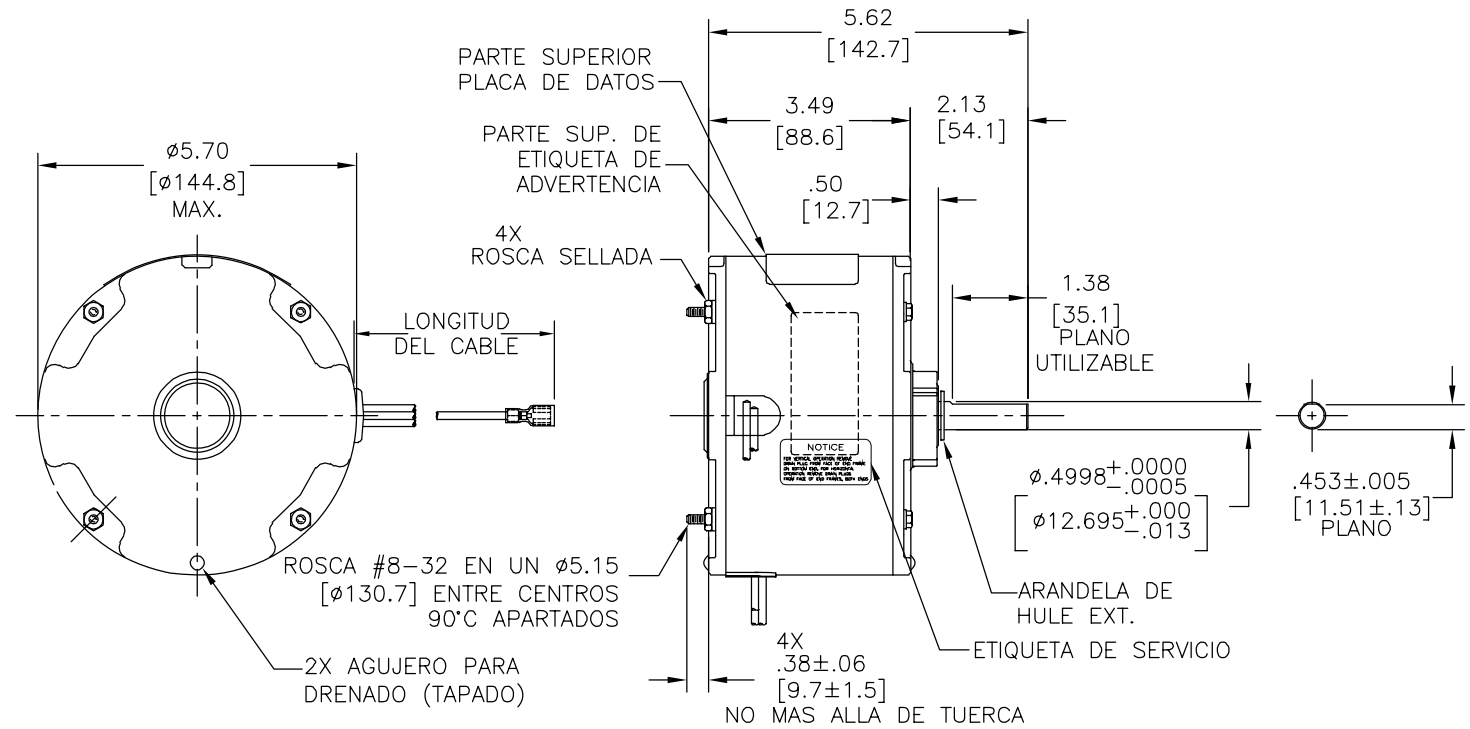
POSICION DEL MONTAJE: TODOS LOS ANGULOS

INFORMACION ELECTRICA:

SOBRECARGA DEL PROTECTOR: REINICIO AUTOMATICO (T.I. 7AM 036)

CABLES: NO. 18 GA., .06 [1.5] THK. PVC 105°C AISLAN.

NOTES:
1. DISTRIBUTION CUST. P/N: OCA10106
GRAINGER CUST. P/N: 4UY86



VER NOTA

INFORMACION DE ETIQUETA:	DIAGRAMA DE CONEXION EXTERNA
MODEL NO.: F48V58A0 CUST. P/N: [] HP: 1/10 ROT.: CWLE RPM: 1100 TYPE: UF FRAME: 48Y VOLTS: 208-230 PH: 1 AMPS: .7 HZ: 60 INS.: B AMB.: 40 ° C DUTY: AIR OVER CAP.: 5 MFD/370 V ENCL: ENCLOSED UL LOGO CSA LOGO THERMALLY PROTECTED	

614131-003

CAFE	44.0/47.0 [1118/1194]	.50 [12.7] HEMBRA
ROJO	44.0/47.0 [1118/1194]	.50 [12.7] HEMBRA
NEGRO	44.0/47.0 [1118/1194]	.50 [12.7] HEMBRA
	LONGITUD	TERMINAL O LONGITUD DE DESFORRE

DE CARCASA - OLE	ENCERRADO
DE TAPA - OLE	ENCERRADO W/ DRAIN HOLE
DE CARCASA - LE	ENCERRADO
DE TAPA - LE	ENCERRADO W/ DRAIN HOLE

CLIENTE DIST. SERVICES

CURVAS DE FUNCIONAMIENTO	TORSION @ RPM (25°C)	MUESTRA APROBADA	COMPONENTE UL	CSA
C32391	10.7 OZ. FT.	0442982B	#ARCHIVO CCN # #ARCHIVO CLASE #	E46412 PRGY2 LR43341 4211-01

CARACTERISTICAS DE GEOMETRIA Y SIMBOLOS
 □ PLANICIDAD
 - RECTITUD
 < ANGULARIDAD
 ⊥ PERPENDICULARIDAD (A ESCUADRA)
 // PARALELISMO
 ○ REDONDEZ (CIRCULARIDAD)
 ∅ CILINDRICIDAD
 △ PERFIL DE CUALQUIER SUPERFICIE
 ∇ PERFIL DE CUALQUIER LINEA
 ↗ VARIACION
 ⊕ POSICION REAL
 ⊙ CONCENTRICIDAD
 = SIMETRIA ASME Y14.5M 1994

REGAL-BELOIT CORPORATION (RBC) PROVEE ASISTENCIA TECNICA A NUESTROS CLIENTES EN VARIAS AREAS. DESDE QUE RBC NO RECIBE TODOS LOS DATOS EN RELACION AL USO Y A LA APLICACION DEL MOTOR, LA APLICACION ADECUADA DEL MOTOR DEBE SER DETERMINADA POR EL CLIENTE.
 DIMENSIONES SIN TOLERANCIA SON DE REFERENCIA SOLAMENTE

DIBUJADO POR: GORDON 10-14-2004
 APROBADO POR:
 TERCER ANGULO DE PROYECCION
 FECHA EDS: 11-11-2011
 REV. FORMATO: G
 CONFIDENCIAL: ESTE DIBUJO Y SU INFORMACION SON PROPIEDAD DE USO EXCLUSIVO Y CONFIDENCIAL DE REGAL-BELOIT CORPORATION. Y NO DEBERAN SER REVELADOS, DUPLICADOS, DISTRIBUIDOS O USARSE DE OTRA MANERA SIN EL CONSENTIMIENTO ESCRITO DE REGAL-BELOIT CORPORATION. -TODOS LOS DERECHOS RESERVADOS.

DESCRIPCION: **MODEL-RFHP-48FR OUTLINE**
 TAMAÑO: C NUMERO DE DIBUJO: 11811-013
 ESCALA: NONE HOJA: 1

4

3

2

1

4

3

2

1

版本	ECO	编制	日期	批准	日期
E	0025553	F. MORENO	05-01-2012	M. AVILA	05-01-2012

总要求:

轴跳动: 0.03/25.4mm (外伸轴).

轴向窜动: .010[.25]到.063[1.60]

轴承: 球轴承.

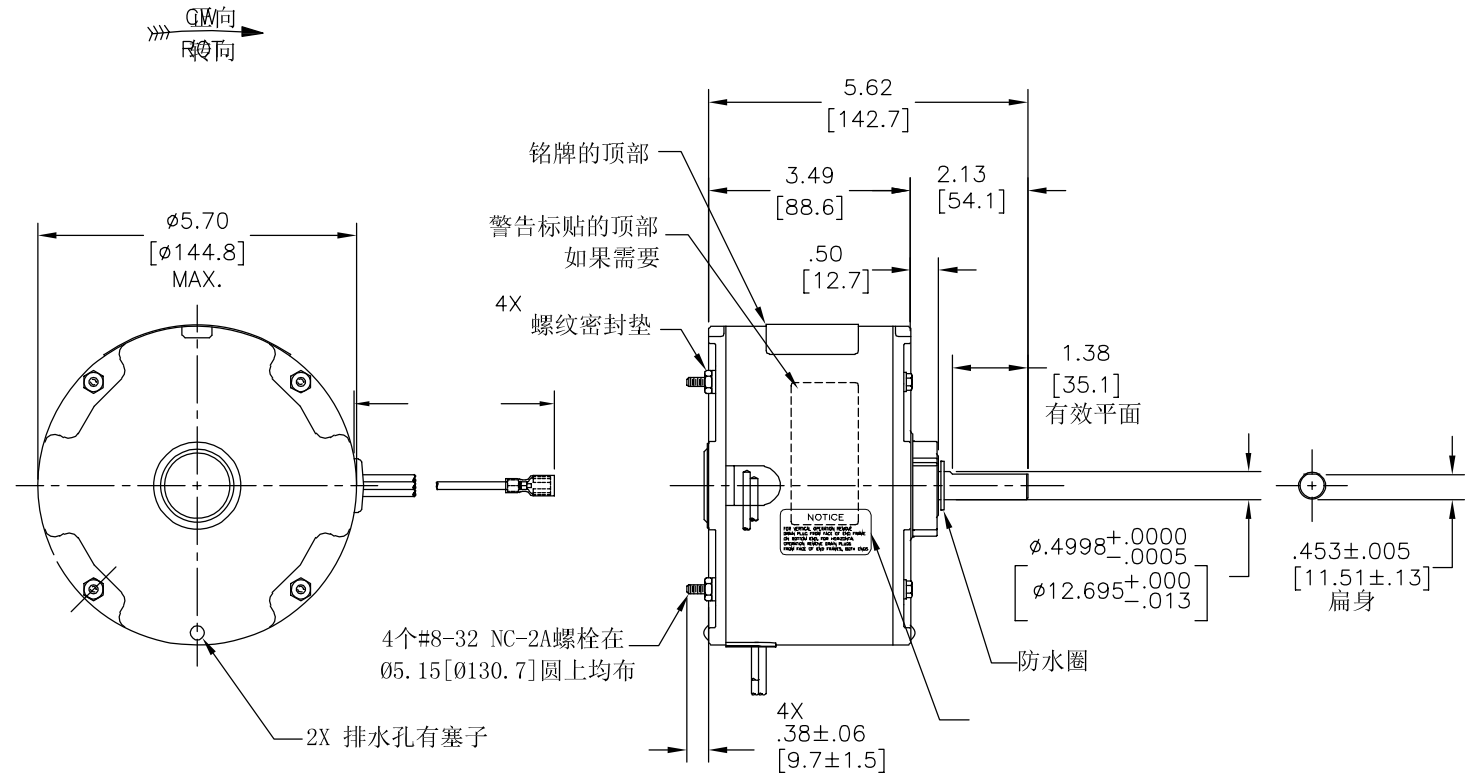
安装位置: 全方向

电气数据:

过载保护: 自动复位 (T.I. 7AM 304)

引线: 18GA, 厚.06[1.5] XLP 105°C 绝缘

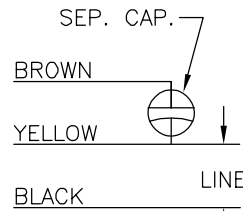
NOTES:
1. DISTRIBUTION CUST. P/N: OCA10106
GRAINGER CUST. P/N: 4UY86



铭牌数据

外部连接详图

MODEL NO.: F48V58A0
CUST. P/N: []
HP: 1/10
ROT.: CWLE
RPM: 1100
TYPE: UF
FRAME: 48Y
VOLTS: 208-230
PH: 1
AMPS: .7
HZ: 60
INS.: B
AMB.: 40 ° C
DUTY: AIR OVER
CAP.: 5 MFD/370 V
ENCL: ENCLOSED
UL LOGO
CSA LOGO
THERMALLY PROTECTED



614131-003

性能曲线编号	转矩在——RPM	批准样品	UL部件		CSA	
			文件号	指南	文件号	指南
C32391	10.7 OZ. FT.	0442982B	E46412	PRGY2	LR43341	4211-01

棕	44.0/47.0 [1118/1194]	.25[6.4] 旗形
黄	44.0/47.0 [1118/1194]	.25[6.4] 旗形
黑	44.0/47.0 [1118/1194]	.25[6.4] 旗形
颜色	长度	端子或剥线长度

无引线端机壳	密封
无引线端端盖	密封 W/ DRAIN HOLE
有引线端机壳	密封
有引线端端盖	密封 W/ DRAIN HOLE

用户 DIST. SERVICES

- 形位公差
- 平面度
- 直线度
- ∠ 倾斜度
- ⊥ 垂直度
- // 平行度
- 圆度
- ⊘ 圆柱度
- △ 面轮廓度
- ∩ 线轮廓度
- ↗ 圆跳动
- ⊕ 位置度
- ⊙ 同轴度
- ≡ 对称度

ASME Y14.5M 1994

REGAL-BELOIT CORPORATION (RBC) 在个别领域为客户 提供技术支持。鉴于RBC 未收到任何涉及电机使用和 应用环境的数据, 电机的适用性 由客户自己决定。

未注公差尺寸仅供参考。

绘图: GORDON 10-14-2004

批准:

第三角投影

机密: 本图纸及相关信息所有权归REGAL-BELOIT CORPORATION 未经REGAL-BELOIT CORPORATION书面授权, 不得泄露、 复制、传播或作其他用途。—版权所有



名称 MODEL-RFHP-48FR OUTLINE

图幅 C 图号 11811-013

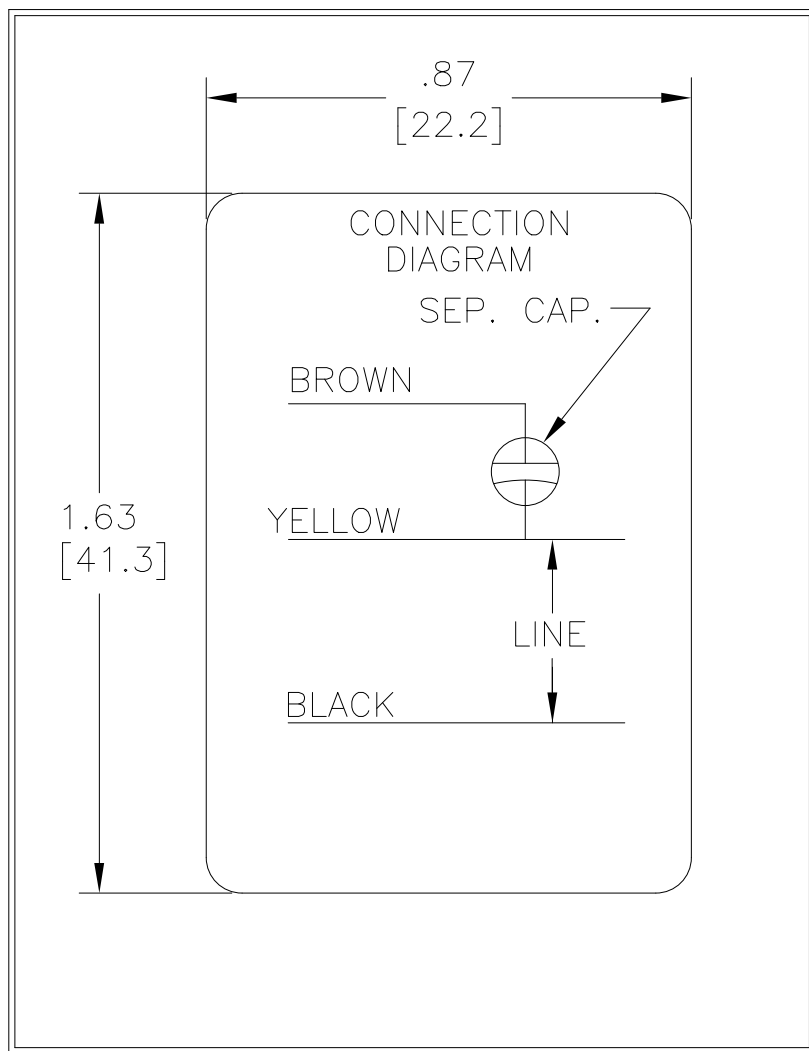
比例 NONE 页号 1

4

3

2

1



DRAWING REVISION D	REVISION BY J. RUPERT	DATE 06-30-2023
ECO NMR-0223535	APPROVED BY J. RUPERT	DATE 06-30-2023

ECO DESCRIPTION
REVISED FOR UP ISSUE

COPYRIGHT REGAL BELOIT AMERICA, INC. ALL RIGHTS RESERVED.
 PROPRIETARY AND CONFIDENTIAL INFORMATION - THIS DOCUMENT IS THE PROPERTY OF
 REGAL BELOIT AMERICA, INC. ("OWNER") AND CONTAINS OWNER'S PROPRIETARY
 INFORMATION. ANY PERSON, CORPORATION OR OTHER FIRM RECEIVING IT IS DEEMED,
 BY RECEIVING IT, TO AGREE THAT IT, AND/OR ANY PART OF IT, SHALL NOT BE DISCLOSED
 TO ANY PERSON, CORPORATION OR OTHER ENTITY, DUPLICATED, AND/OR USED, EXCEPT
 AS EXPRESSLY APPROVED IN WRITING IN ADVANCE BY OWNER. THIS DOCUMENT SHALL
 BE RETURNED TO OWNER UPON REQUEST. IT MAY BE SUBJECT TO CERTAIN
 RESTRICTIONS UNDER APPLICABLE EXPORT CONTROL LAWS AND REGULATIONS.

TOLERANCES UNLESS OTHERWISE SPECIFIED			
DEC.	INCH	mm	ANGLE
.X	±0.1	[±2.5]	±0.5°
.XX	±0.02	[±0.51]	
.XXX	±0.005	[±0.127]	
.XXXX	±0.0005	[±0.0127]	
REMOVE BURRS & BREAK SHARP EDGES .003/.015 [.076/.381] X 45°			
CORNER FILLETS R.02 [.51]			
MACHINED SURFACES			
$\sqrt[.125]{\text{INCH}}$ / $\sqrt[.32]{\text{mm}}$			
mm SHOWN IN [BRACKETS]			

DRAWN BY: N. LONG
DATE: 07-14-1986
APPROVED BY:
DATE:
REFERENCE
THIRD ANGLE PROJECTION

REGAL ™ Regal Beloit America, Inc.	
DESCRIPTION CONN DIAGRAM-NAMEPLATE	
MATERIAL	PROCESS/FINISH
SIZE A	DWG NO 614131-003
6 of 6	
SHEET 1	