

# PRODUCT INFORMATION PACKET



Model No: OCA1014

Catalog No: OCA1014

OEM Replacement Motor, 1/6 HP, 1 Ph, 60 Hz, 208-230 V, 1500 RPM, 1 Speed, 48 Frame, TEAO



Regal and Century are trademarks of Regal Rexnord Corporation or one of its affiliated companies.

©2025 Regal Rexnord Corporation, All Rights Reserved. MC017097E





**Nameplate Specifications**

Phase	<b>1</b>	Output HP	<b>1/6 Hp</b>
Output KW	<b>0.13 kW</b>	Voltage	<b>208-230 V</b>
Speed	<b>1500 rpm</b>	Service Factor	<b>1.0</b>
Frame	<b>48Y</b>	Enclosure	<b>Totally Enclosed Air Over</b>
Thermal Protection	<b>Automatic</b>	Efficiency	<b>58.4 %</b>
Ambient Temperature	<b>40 °C</b>	Frequency	<b>60 Hz</b>
Current	<b>0.9 A</b>	Duty	<b>Air Over</b>
Insulation Class	<b>B</b>	UL	<b>Recognized</b>
CSA	<b>Y</b>	CE	<b>N</b>
Number of Speeds	<b>1</b>		

**Technical Specifications**

Electrical Type	<b>Permanent Split Capacitor</b>	Starting Method	<b>Across The Line</b>
Poles	<b>4</b>	Rotation	<b>Clockwise Lead End</b>
Mounting	<b>Extended Studs</b>	Motor Orientation	<b>Any</b>
Drive End Bearing	<b>Ball</b>	Opp Drive End Bearing	<b>Ball</b>
Frame Material	<b>Rolled Steel</b>	Shaft Type	<b>Flat</b>
Overall Length	<b>6.10 in</b>	Frame Length	<b>3.13 in</b>
Shaft Diameter	<b>0.500 in</b>	Shaft Extension	<b>2.10 in</b>
Outline Drawing	<b>12056-070-S01</b>	Connection Drawing	<b>614131-003</b>

This is an uncontrolled document once printed or downloaded and is subject to change without notice. Date Created:02/10/2025

REV	ECO	REV BY	DATE	APPD	DATE
E	NMR-0219674	TRSK	1-20-2023	TRSK	1-20-2023

**GENERAL INFORMATION:**

SHAFT RUNOUT: .001 [.03] T.I.R. PER INCH LENGTH OF EXTENSION

BEARINGS: BALL

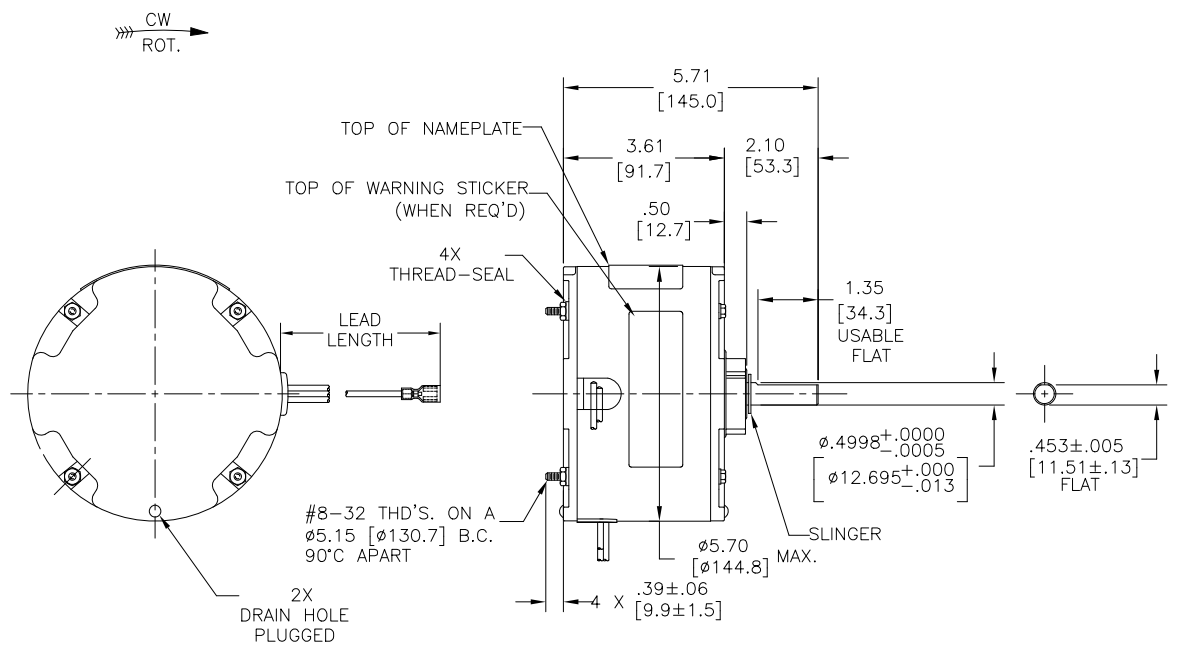
MOUNTING POSITION: ALL ANGLE

**ELECTRICAL DATA:**

OVERLOAD PROTECTOR: AUTOMATIC RESET (T.I. 7AM 036)

LEADS: NO. 18 GA., .06 [1.5] THK. PVC 105°C INSUL.

NOTES:  
1. DISTRIBUTION: CUST. P/N: OCA1014  
GRAINGER: CUST. P/N: 4UY87



NAMEPLATE DATA:	EXTERNAL CONNECTION DIAGRAM
MODEL NO.: F48V07A01 CUST. P/N: [ ] HP: 1/6 ROT.: CWLE RPM: 1500 TYPE: UF FRAME: 48Y VOLTS: 208-230 PH: 1 AMPS: 0.9 HZ: 60 INS.: B AMB.: 40 °C DUTY: AIR OVER CAP.: 5 MFD/370 V ENCL: ENCLOSED UL LOGO CSA LOGO THERMALLY PROTECTED	SEP. CAP. BROWN YELLOW BLACK LINE

PERFORMANCE CURVE NO.	TORQUE @ XXXX RPM (25°C)	APPROVED SAMPLE	UL COMPONENT	CSA
C32291	9.1 OZ. FT.	0442983B	FILE # CCN # FILE # CLASS #	LR43341 260-Ø-0

COLOR	LENGTH	TERMINAL OR STRIP LENGTH
BROWN	44.0/46.0 [1118/1168]	.25 [6.4] FRAME SPADE
YELLOW	44.0/46.0 [1118/1168]	.25 [6.4] FRAME SPADE
BLACK	44.0/46.0 [1118/1168]	.25 [6.4] FRAME SPADE

MAIN FRAME - OLE	ENCLOSED
END FRAME - OLE	ENCLOSED W/ DRAIN HOLE
MAIN FRAME - LE	ENCLOSED
END FRAME - LE	ENCLOSED W/ DRAIN HOLE

CUST. DIST. SERVICES

GEOMETRIC CHARACTERISTICS & SYMBOLS
□ FLATNESS — STRAIGHTNESS < ANGULARITY ⊥ PERPENDICULARITY (SQUARENESS) // PARALLELISM ○ ROUNDNESS (CIRCULARITY) ∅ CYLINDRICITY ⊖ PROFILE OF ANY SURFACE ⊖ PROFILE OF ANY LINE ? RUNOUT ⊕ TRUE POSITION ⊙ CONCENTRICITY = SYMMETRY

REGAL-BELOIT CORPORATION (RBC) PROVIDES TECHNICAL ASSISTANCE TO OUR CUSTOMERS IN SEVERAL AREAS. SINCE RBC DOES NOT RECEIVE ALL DATA CONCERNING THE USE AND APPLICATION OF THE MOTOR, THE SUITABILITY OF THE MOTOR FOR THE APPLICATION MUST BE DETERMINED BY THE CUSTOMER.

DIMENSIONS WITHOUT TOLERANCES ARE FOR REFERENCE ONLY.

ASME Y14.5M 1994

DR BY: GORDON 08-13-2004

APPD:

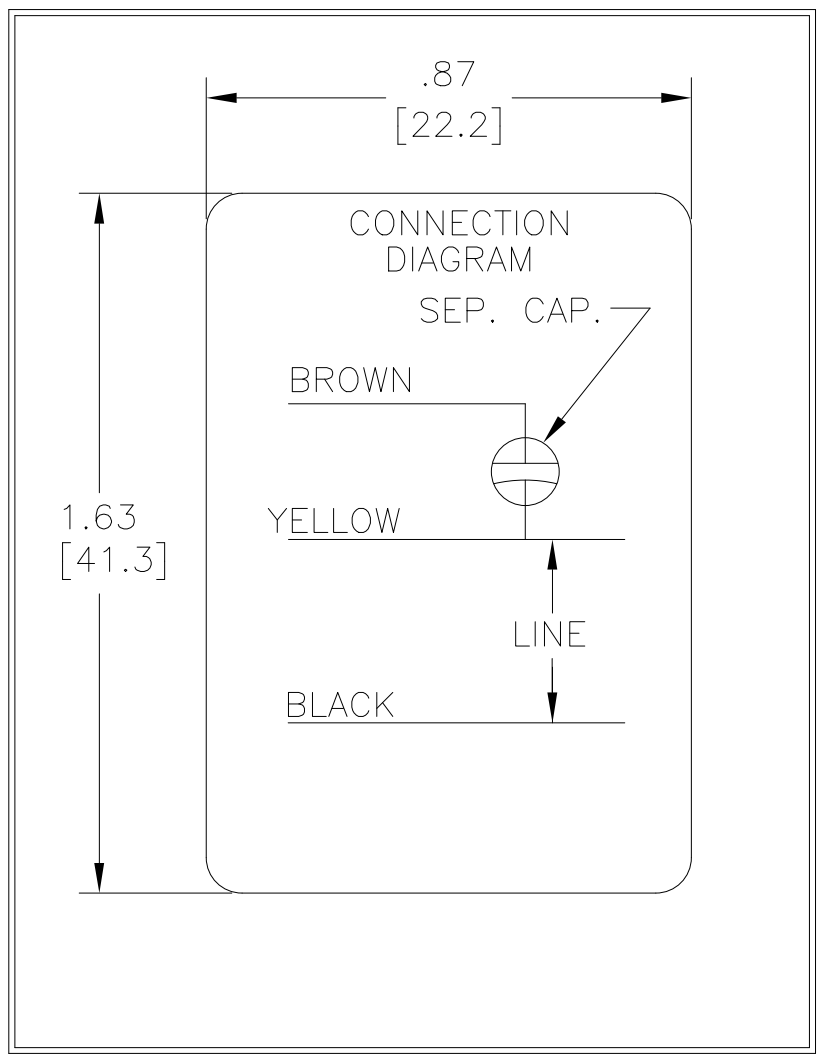
THIRD ANGLE PROJECTION

EDS DATE 11-11-2011  
FORMAT REV G

CONFIDENTIAL: THIS DRAWING AND ITS INFORMATION ARE THE EXCLUSIVE AND CONFIDENTIAL PROPERTY OF REGAL-BELOIT CORPORATION AND ARE NOT TO BE DISCLOSED, DUPLICATED, DISTRIBUTED OR OTHERWISE USED WITHOUT THE WRITTEN CONSENT OF REGAL-BELOIT CORPORATION. -ALL RIGHTS RESERVED.

DESCRIPTION
MODEL-RFHP-48FR OUTLINE
SIZE C DWG NO 12056-070
SCALE NONE SHEET 1

DESCRIPTION	MODEL-RFHP-48FR OUTLINE
SIZE	C DWG NO 12056-070
SCALE	NONE SHEET 1



DRAWING REVISION D	REVISION BY J. RUPERT	DATE 06-30-2023
ECO NMR-0223535	APPROVED BY J. RUPERT	DATE 06-30-2023

ECO DESCRIPTION  
REVISED FOR UP ISSUE

COPYRIGHT REGAL BELOIT AMERICA, INC. ALL RIGHTS RESERVED.  
 PROPRIETARY AND CONFIDENTIAL INFORMATION - THIS DOCUMENT IS THE PROPERTY OF  
 REGAL BELOIT AMERICA, INC. ("OWNER") AND CONTAINS OWNER'S PROPRIETARY  
 INFORMATION. ANY PERSON, CORPORATION OR OTHER FIRM RECEIVING IT IS DEEMED,  
 BY RECEIVING IT, TO AGREE THAT IT, AND/OR ANY PART OF IT, SHALL NOT BE DISCLOSED  
 TO ANY PERSON, CORPORATION OR OTHER ENTITY, DUPLICATED, AND/OR USED, EXCEPT  
 AS EXPRESSLY APPROVED IN WRITING IN ADVANCE BY OWNER. THIS DOCUMENT SHALL  
 BE RETURNED TO OWNER UPON REQUEST. IT MAY BE SUBJECT TO CERTAIN  
 RESTRICTIONS UNDER APPLICABLE EXPORT CONTROL LAWS AND REGULATIONS.

TOLERANCES UNLESS OTHERWISE SPECIFIED			
DEC.	INCH	mm	ANGLE
.X	±0.1	[±2.5]	±0.5°
.XX	±0.02	[±0.51]	
.XXX	±0.005	[±0.127]	
.XXXX	±0.0005	[±0.0127]	
REMOVE BURRS & BREAK SHARP EDGES .003/.015 [.076/.381] X 45°			
CORNER FILLETS R.02 [.51]			
MACHINED SURFACES			
$\sqrt{125}$ INCH $\sqrt{mm}$ $\sqrt{3.2}$			
mm SHOWN IN [BRACKETS]			

DRAWN BY: N. LONG
DATE: 07-14-1986
APPROVED BY:
DATE:
REFERENCE
THIRD ANGLE PROJECTION

<b>REGAL</b> ™ Regal Beloit America, Inc.	
DESCRIPTION CONN DIAGRAM-NAMEPLATE	
MATERIAL	PROCESS/FINISH
SIZE A	DWG NO 4 of 9 614131-003
SHEET 1	

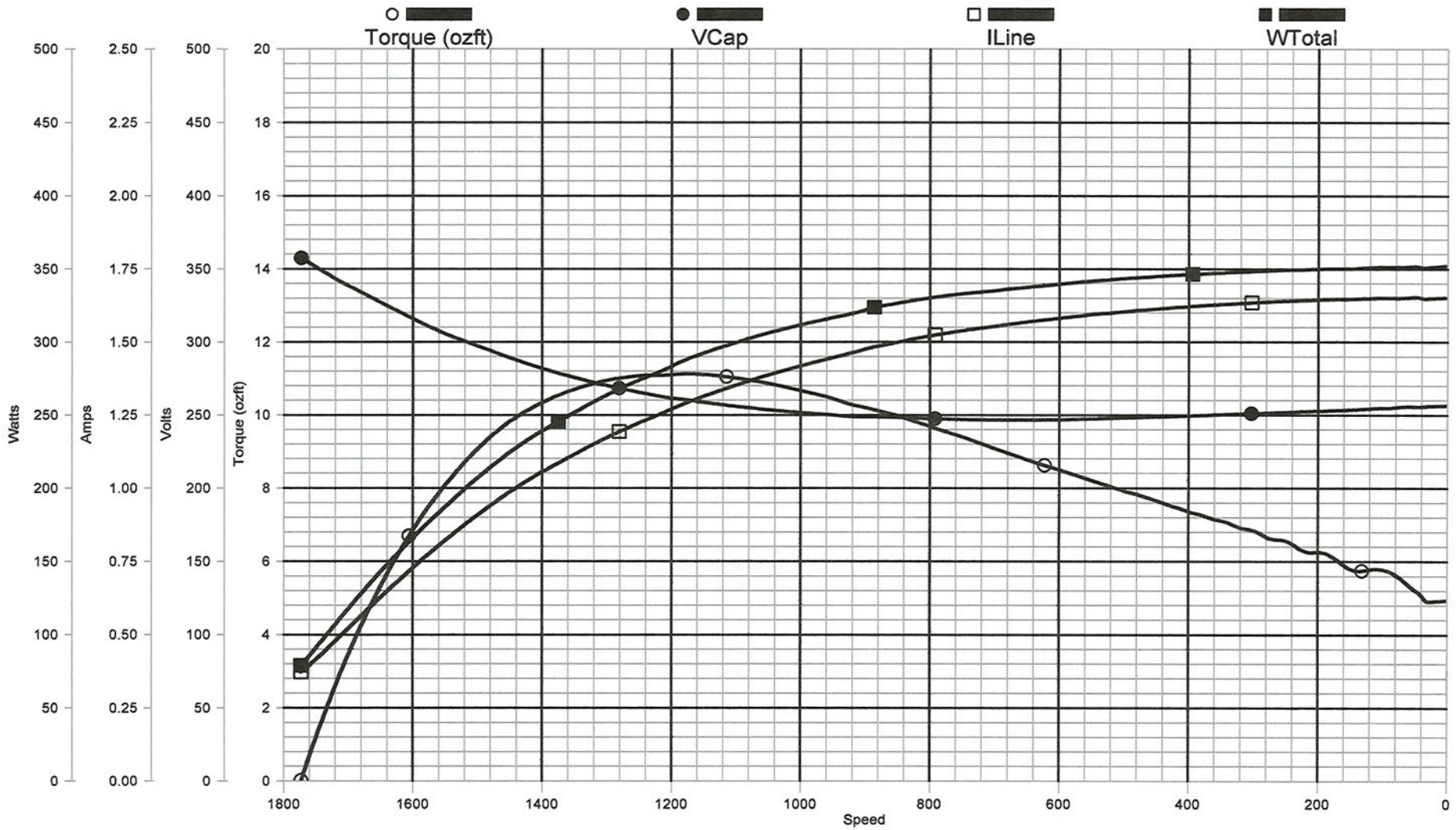
C-32291

AO Smith

C-32291

Performance Down Project: 0442983 (High Speed)

Wednesday, August 11, 2004 11:50 PM



TRACKING #: 10028380  
 SBU: Heating & Air Cond  
 ENGINEER: GREG PIATT  
 TECHNICIAN: DAN  
 TORQUE CELL: 50 lb-in  
 NP RPM: 1500  
 # SPEEDS: 1  
 MOTOR #: 1  
 COMMENT 2:

CUSTOMER: GRAINGER  
 MODEL: 0442983B  
 FRAME: 48  
 PHASES: 1  
 VOLTS: 230.0  
 HERTZ: 60  
 RUN CAP: 5.00  
 COMMENT1:  
 COMMENT 3:

DESCRIPTION: SYNC-0  
 TYPE: PSC  
 BENCH: 1  
 HP: 0.17  
 ROTATION: CW  
 BDT: 11.08  
 LRA: 1.65  
 LRT: 4.93  
 COMMENT 4:



## Specification & Rating Report

Item Number: **OCA1014**

Specification Number: **1**

Model Number: **F48V07A01**

Carton Label Model  
Number:

Customer Model  
Number:

Sample Number:

Customer Specification  
Number:

Catalog Number: **OCA1014**

Agency Type:

CE: **N**

CSA: **Y**

UL: **Y**

CE Number:

CSA Number: **NO**

UL Number: **NO**

UL Explosion Proof Rating:

Cubic Feet Per Minute:

F2 Assembly:

UPC Model Number:

UPC Catalog Number: **786674027184**

Nameplate Drive  
Bearing Type:

Nameplate Opposite  
Drive Bearing Type:

Label Drive Bearing **BALL**  
Type:

Label Opposite Drive **BALL**  
Bearing Type:

Capacitor:

Capacitor Rating MFD: **5**

Capacitor Included: **N**

Capacitor Rating VAC: **370**

Control Code:

DC Design Number:

Form Factor:

Design Status:

Features:

Connection Diagram:

Lubrication Label  
Diagram:

Outline Diagram: **12056-070-S01**

Installation Diagram:

Warning Label  
Diagram:

Outline Graphic: **33A**

Ambient Temperature: **40**

Insulation Class: **B**



## Specification & Rating Report

---

Protector: <b>AUTOMATIC</b>	Thermal Protection:
Nameplate Overload:	Label Overload:
IP Code:	
Nameplate Enclosure: <b>TEAO</b>	Label Enclosure: <b>TEAO</b>
Frame Length: <b>3.13</b>	Frame Length UOM:
Frame Diameter:	Frame Diameter UOM:
Frame Size: <b>48Y</b>	
Frame Material: <b>ROLLED STEEL</b>	End Frame Material:
Operator Instruction Manual:	
Nameplate Mounting:	Label Mounting: <b>EXT STUDS</b>
Base Height:	Base Height UOM:
Ring Diameter:	RingDiameterUOM:
Nameplate:	Carton Label:
Nameplate Location <b>L</b> Format:	
Brake:	Tachometer:
Layer Quantity:	Pallet Quantity:
Phase: <b>1</b>	CurrentType:
DC Pole:	
Poles: <b>4</b>	
Speeds: <b>1</b>	
Duty: <b>AIR OVER</b>	
Shaft Diameter: <b>1/2</b>	Shaft Diameter UOM: <b>IN</b>
Shaft Extension: <b>2.10</b>	Shaft Extension UOM: <b>IN</b>
Shaft Material:	Rotation: <b>CWLE</b>
Shaft Type: <b>FLAT</b>	
Motor Type: <b>UF</b>	
Motor Use:	
Nameplate 1:	
Nameplate 2:	
Nameplate Text 1:	



## Specification & Rating Report

---

Nameplate Text 2:

Nameplate Text 3:

Nameplate Text 4:

Label Text 1: **PERMANENT  
SPLIT  
CAPACITOR**

Label Text 2:

Label Text 3:

Label Text 4:

Brand Line:

Vendor Line:

Motor Weight:

Motor Weight UOM:

Shipping Weight:

Shipping Weight UOM:

Armature Field  
Winding:

Core Length:

Core Length UOM:

Winding Code:

Winding Specification:

Nameplate Only  
Instructions:

Nameplate & Label  
Instructions:

Label Only  
Instructions:



## Specification & Rating Report

---

Rating Number: **1**

Horsepower: **1/6**

Volts: **208-230**

Hertz: **60**

Field Current:

Revolutions Per **1500**  
Minute:

Service Factor: **1.0**

Service Factor Amps:

NEMA Code:

NEMA Design:

Customer Nameplate Number:

Kilowatts:

Amps: **0.9**

Maximum Amps:

Armature Current:

Power Factor:

Service Factor Volts:

NEMA Nominal Efficiency: **58.4**

NEMA Guaranteed Efficiency: