

PRODUCT INFORMATION PACKET



Model No: OCA10208
Catalog No: OCA10208

OEM Replacement Motor, 1/5 HP, 1 Ph, 60 Hz, 208-230 V, 825 RPM, 1 Speed, 48 Frame, TEAO



Regal and Century are trademarks of Regal Rexnord Corporation or one of its affiliated companies.
©2025 Regal Rexnord Corporation, All Rights Reserved. MC017097E





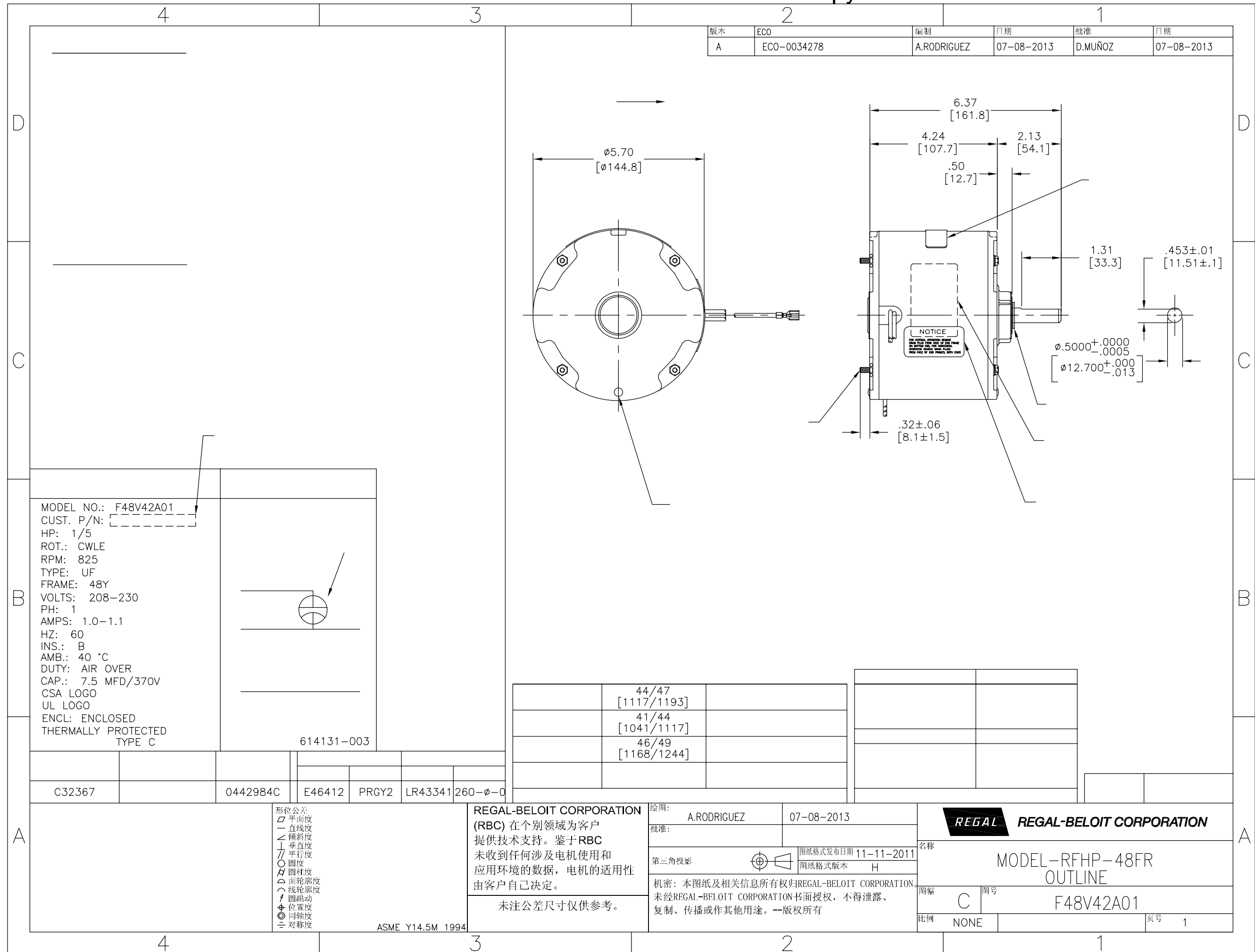
Nameplate Specifications

Phase	1	Output HP	1/5 Hp
Output KW	0.15 kW	Voltage	208-230 V
Speed	825 rpm	Service Factor	1.0
Frame	48Y	Enclosure	Totally Enclosed Air Over
Thermal Protection	Automatic	Ambient Temperature	40 °C
Frequency	60 Hz	Current	1.0-1.1 A
Duty	Air Over	Insulation Class	B
UL	Recognized	CSA	Y
CE	N	Number of Speeds	1

Technical Specifications

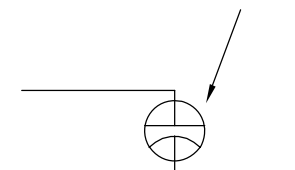
Electrical Type	Permanent Split Capacitor	Starting Method	Across The Line
Poles	8	Rotation	Clockwise Lead End
Mounting	Extended Studs	Motor Orientation	Any
Drive End Bearing	Sleeve	Opp Drive End Bearing	Sleeve
Frame Material	Rolled Steel	Shaft Type	Flat
Overall Length	6.65 in	Frame Length	3.75 in
Shaft Diameter	0.500 in	Shaft Extension	2.1 in
Outline Drawing	F48V42A01-S01	Connection Drawing	614131-003

This is an uncontrolled document once printed or downloaded and is subject to change without notice. Date Created:02/10/2025



版本	ECO	编制	日期	批准	日期
A	ECO-0034278	A.RODRIGUEZ	07-08-2013	D.MUÑOZ	07-08-2013

MODEL NO.: F48V42A01
 CUST. P/N:
 HP: 1/5
 ROT.: CWLE
 RPM: 825
 TYPE: UF
 FRAME: 48Y
 VOLTS: 208-230
 PH: 1
 AMPS: 1.0-1.1
 HZ: 60
 INS.: B
 AMB.: 40 °C
 DUTY: AIR OVER
 CAP.: 7.5 MFD/370V
 CSA LOGO
 UL LOGO
 ENCL: ENCLOSED
 THERMALLY PROTECTED
 TYPE C



614131-003

	44/47 [1117/1193]	
	41/44 [1041/1117]	
	46/49 [1168/1244]	

C32367	0442984C	E46412	PRGY2	LR43341	260-φ-0
--------	----------	--------	-------	---------	---------

- 形位公差
- 平面度
 - 直线度
 - ∠ 倾斜度
 - ⊥ 垂直度
 - // 平行度
 - 圆度
 - ⊘ 圆柱度
 - ⌒ 面轮廓度
 - △ 线轮廓度
 - ↗ 圆跳动
 - ⊕ 位置度
 - ⊙ 同轴度
 - ≡ 对称度

ASME Y14.5M 1994

REGAL-BELOIT CORPORATION (RBC) 在个别领域为客户提供技术支持。鉴于 RBC 未收到任何涉及电机使用和应用环境的数据，电机的适用性由客户自己决定。

未注公差尺寸仅供参考。

绘图:	A.RODRIGUEZ	07-08-2013
批准:		
第三角投影		图纸格式发布日期 11-11-2011 图纸格式版本 H
机密: 本图纸及相关信息所有权归REGAL-BELOIT CORPORATION。未经REGAL-BELOIT CORPORATION书面授权, 不得泄露、复制或传播或作其他用途。—版权所有		

		REGAL-BELOIT CORPORATION	
名称 MODEL-RFHP-48FR OUTLINE			
图幅 C		图号 F48V42A01	
比例 NONE		页号 1	

REV	ECO	REV BY	DATE	APPD	DATE
A	ECO-0034278	A.RODRIGUEZ	07-08-2013	D.MUÑOZ	07-08-2013

GENERAL INFORMATION:

SHAFT RUNOUT: .001[.03] T.I.R. PER INCH LENGTH OF EXTENSION

END PLAY: .010 TO .063 [.25 TO 1.60]

BEARINGS: SLEEVE

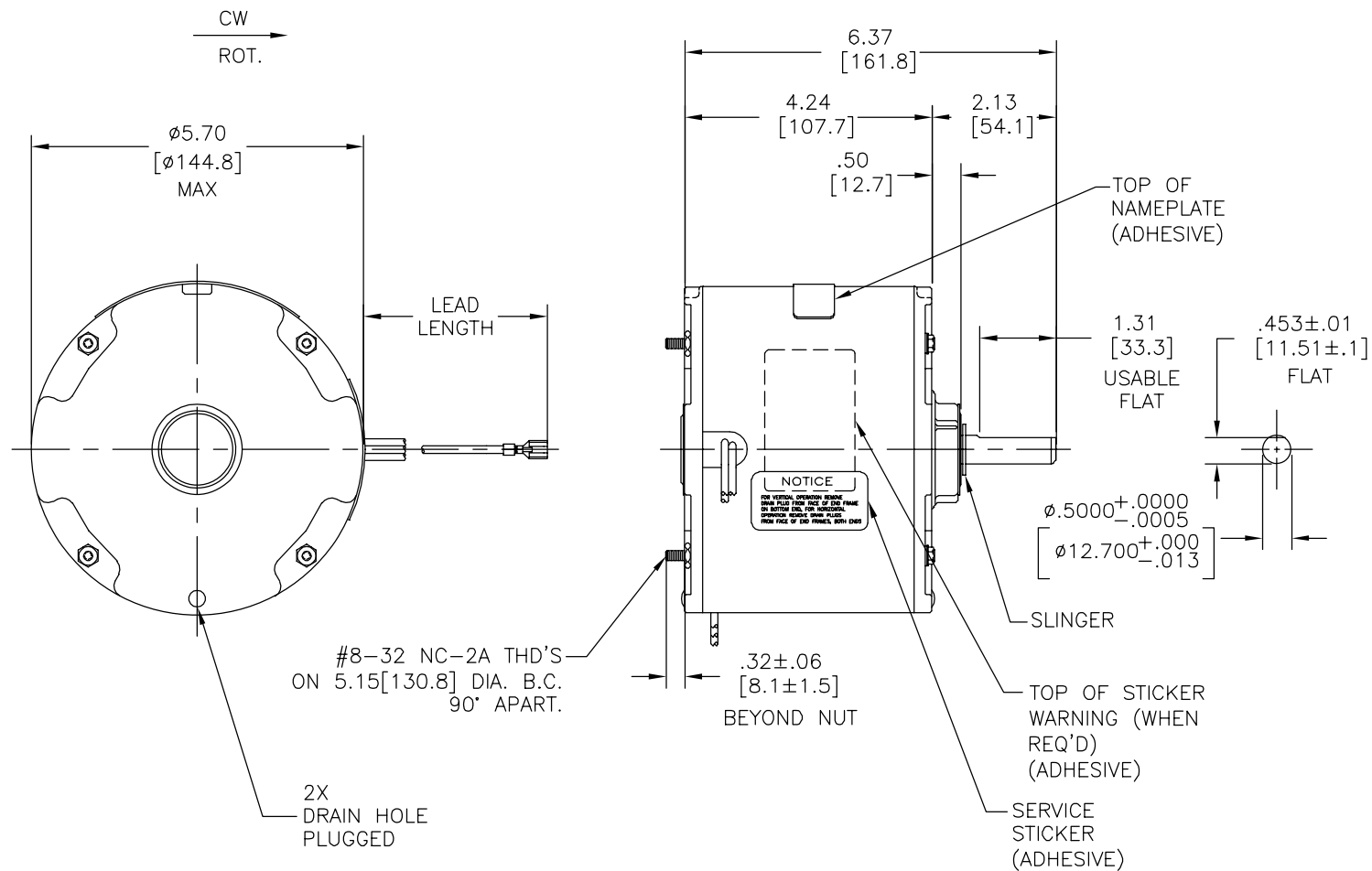
MOUNTING POSITION: ALL ANGLE

ELECTRICAL DATA:

OVERLOAD PROTECTOR: AUTOMATIC RESET (SENSATA 7AM 036)

LEADS: NO. 18 GA., .06[1.5] THK. PVC 105°C INSUL.

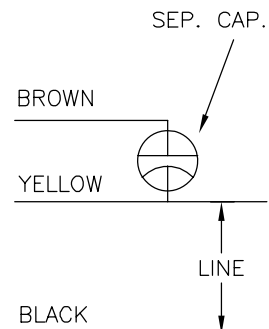
NOTE:
1. DISTRIBUTION PART NUMBER: OCA10208



NAMEPLATE DATA:

MODEL NO.: F48V42A01
CUST. P/N: []
HP: 1/5
ROT.: CWLE
RPM: 825
TYPE: UF
FRAME: 48Y
VOLTS: 208-230
PH: 1
AMPS: 1.0-1.1
HZ: 60
INS.: B
AMB.: 40 °C
DUTY: AIR OVER
CAP.: 7.5 MFD/370V
CSA LOGO
UL LOGO
ENCL: ENCLOSED
THERMALLY PROTECTED
TYPE C

EXTERNAL CONNECTION DIAGRAM



614131-003

BROWN	44/47 [1117/1193]	.25[6.4] FEMALE SPADE
BLACK	41/44 [1041/1117]	.25[6.4] FEMALE SPADE
YELLOW	46/49 [1168/1244]	.25[6.4] FEMALE SPADE
COLOR	LENGTH	TERMINAL OR STRIP LENGTH

MAIN FRAME - OLE	ENCLOSED
END FRAME - OLE	ENCLOSED WITH DRAIN HOLE
MAIN FRAME - LE	ENCLOSED
END FRAME - LE	ENCLOSED WITH DRAIN HOLE

CUSTOMER	DISTRIBUTION SERVICES
----------	-----------------------

PERFORMANCE CURVE NO.	TORQUE @ 825 RPM (25°C)	APPROVED SAMPLE	UL COMPONENT		CSA	
C32367	17.4 OZ. FT.	0442984C	FILE #	GUIDE#	FILE #	GUIDE #
			E46412	PRGY2	LR43341	260-φ-0

GEOMETRIC CHARACTERISTICS & SYMBOLS
 □ FLATNESS
 — STRAIGHTNESS
 ∠ ANGULARITY
 ⊥ PERPENDICULARITY (SQUARENESS)
 // PARALLELISM
 ○ ROUNDNESS (CIRCULARITY)
 ∅ CYLINDRICITY
 △ PROFILE OF ANY SURFACE
 ∩ PROFILE OF ANY LINE
 ↗ RUNOUT
 ⊕ TRUE POSITION
 ⊙ CONCENTRICITY
 = SYMMETRY
 ASME Y14.5M 1994

REGAL-BELOIT CORPORATION (RBC) PROVIDES TECHNICAL ASSISTANCE TO OUR CUSTOMERS IN SEVERAL AREAS. SINCE RBC DOES NOT RECEIVE ALL DATA CONCERNING THE USE AND APPLICATION OF THE MOTOR, THE SUITABILITY OF THE MOTOR FOR THE APPLICATION MUST BE DETERMINED BY THE CUSTOMER.

DIMENSIONS WITHOUT TOLERANCES ARE FOR REFERENCE ONLY.

DR BY: A.RODRIGUEZ 07-08-2013

APPD:

THIRD ANGLE PROJECTION

CONFIDENTIAL: THIS DRAWING AND ITS INFORMATION ARE THE EXCLUSIVE AND CONFIDENTIAL PROPERTY OF REGAL-BELOIT CORPORATION AND ARE NOT TO BE DISCLOSED, DUPLICATED, DISTRIBUTED OR OTHERWISE USED WITHOUT THE WRITTEN CONSENT OF REGAL-BELOIT CORPORATION. -ALL RIGHTS RESERVED.

EDS DATE 11-11-2011

FORMAT REV H

REGAL REGAL-BELOIT CORPORATION

DESCRIPTION
MODEL-RFHP-48FR
OUTLINE

SIZE C DWG NO F48V42A01

SCALE NONE SHEET 1

4

3

2

1

REVISION:	ECO	REVISADO POR:	FECHA:	APROBADO POR:	FECHA:
A	ECO-0034278	A.RODRIGUEZ	07-08-2013	D.MUÑOZ	07-08-2013

INFORMACION GENERAL:

OSCILACION DE FLECHA: .001 [.03] L.T.I. POR LONGITUD DE EXTENSION

JUEGO AXIAL: .010 A .063 [.25 A 1.60]

BALEROS: MANGA

POSICION DEL MONTAJE: TODOS LOS ANGULOS

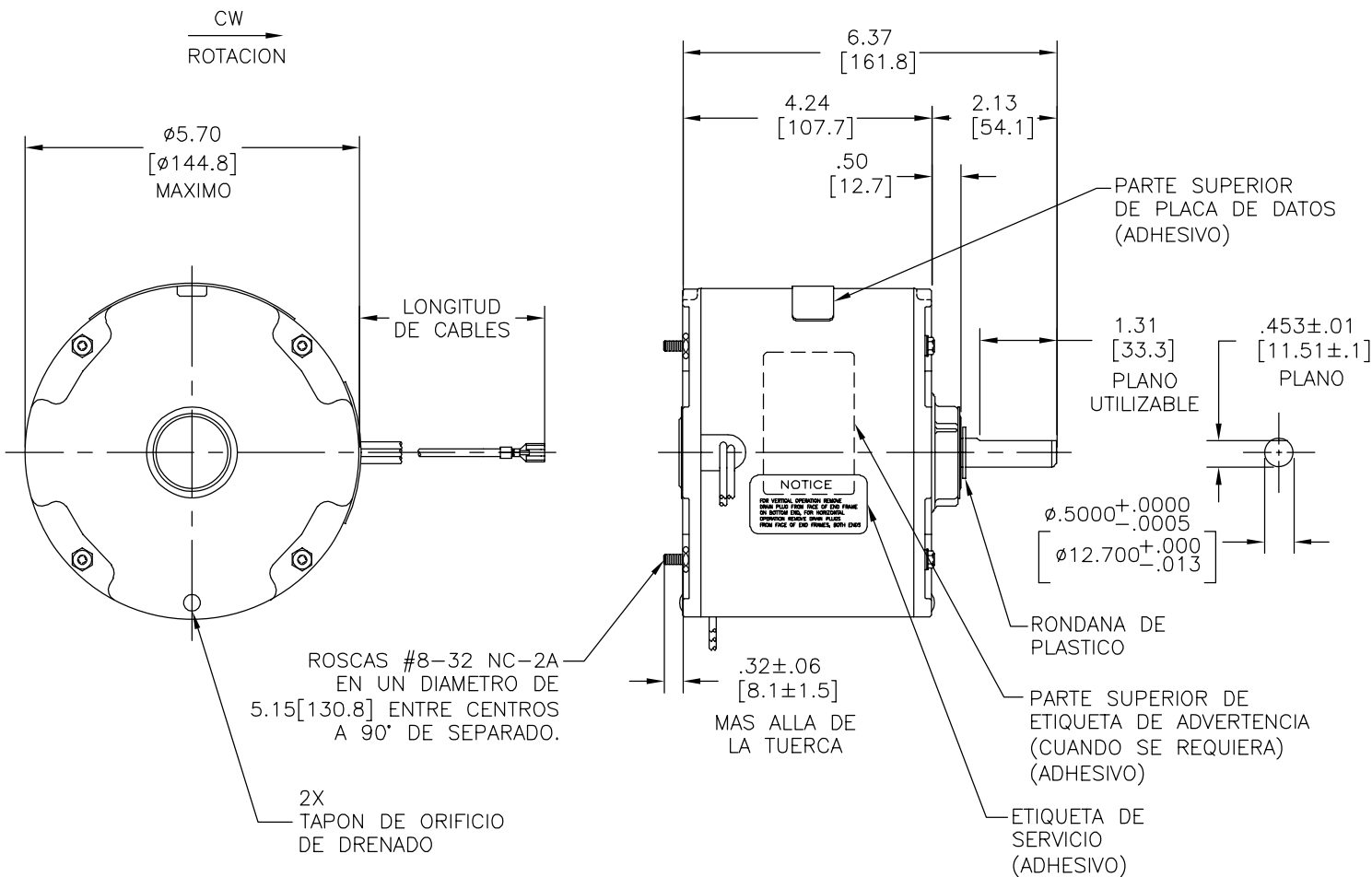
INFORMACION ELECTRICA:

SOBRECARGA DEL PROTECTOR: REINICIO AUTOMATICO (T.I. 7AM 036)

CABLES: CALIBRE 18 AISLANTE .06[1.5] GROSOR PVC 105°C.

NOTA:
1. NUMERO DE PARTE DE DISTRIBUCION: OCA10208

VER NOTA 1



ROSCAS #8-32 NC-2A EN UN DIAMETRO DE 5.15[130.8] ENTRE CENTROS A 90° DE SEPARADO.

2X TAPON DE ORIFICIO DE DRENADO

PARTE SUPERIOR DE PLACA DE DATOS (ADHESIVO)

1.31 [33.3] PLANO UTILIZABLE

.453±.01 [11.51±.1] PLANO

Ø.5000^{+.0000}_{-.0005}
Ø12.700^{+.000}_{-.013}

RONDANA DE PLASTICO

PARTE SUPERIOR DE ETIQUETA DE ADVERTENCIA (CUANDO SE REQUIERA) (ADHESIVO)

ETIQUETA DE SERVICIO (ADHESIVO)

INFORMACION DE PLACA DE DATOS	DIAGRAMA DE CONEXION EXTERNA
MODEL NO.: F48V42A01 CUST. P/N: [] HP: 1/5 ROT.: CWLE RPM: 825 TYPE: UF FRAME: 48Y VOLTS: 208-230 PH: 1 AMPS: 1.0-1.1 HZ: 60 INS.: B AMB.: 40 °C DUTY: AIR OVER CAP.: 7.5 MFD/370V CSA LOGO UL LOGO ENCL: ENCLOSED THERMALLY PROTECTED TYPE C	
614131-003	

CURVA DE DESEMPEÑO	TORSION @825 RPM (25°C)	MUESTRA APROBADA	COMPONENTE UL	CSA
C32367	17.4 OZ. FT.	0442984C	#ARCHIVO #GUIA #	#ARCHIVO #GUIA #
			E46412 PRGY2	LR43341 260-Ø-0

CAFE	44/47 [1117/1193]	.25[6.4] TERMINAL HEMBRA
NEGRO	41/44 [1041/1117]	.25[6.4] TERMINAL HEMBRA
AMARILLO	46/49 [1168/1244]	.25[6.4] TERMINAL HEMBRA
COLOR	LONGITUD	TERMINAL O LONGITUD DE DESFORRE

CARCAZA - OLE	CERRADO
TAPA FINAL - OLE	ENCERRADO CON ORIFICIO DE DRANADO
CARCAZA - LE	CERRADO
TAPA FINAL- LE	ENCERRADO CON ORIFICIO DE DRANADO

CLIENTE	DISTRIBUTION SERVICES
---------	-----------------------

- CARACTERISTICAS DE GEOMETRIA Y SIMBOLOS
- ☑ PLANICIDAD
 - RECTITUD
 - ∠ ANGULARIDAD
 - ⊥ PERPENDICULARIDAD (A ESCUADRA)
 - // PARALELISMO
 - REDONDEZ (CIRCULARIDAD)
 - ⊘ CILINDRICIDAD
 - △ PERFIL DE CUALQUIER SUPERFICIE
 - ∩ PERFIL DE CUALQUIER LINEA
 - ∩ VARIACION
 - ⊕ POSICION REAL
 - ◎ CONCENTRICIDAD
 - = SIMETRIA
- ASME Y14.5M 1994

REGAL-BELOIT CORPORATION (RBC) PROVEE ASISTENCIA TECNICA A NUESTROS CLIENTES EN VARIAS AREAS. DESDE QUE RBC NO RECIBE TODOS LOS DATOS EN RELACION AL USO Y A LA APLICACION DEL MOTOR, LA APLICACION ADECUADA DEL MOTOR DEBE SER DETERMINADA POR EL CLIENTE.

DIMENSIONES SIN TOLERANCIA SON DE REFERENCIA SOLAMENTE

DIBUJADO POR: A.RODRIGUEZ

07-08-2013

APROBADO POR:

07-08-2013

TERCER ANGULO DE PROYECCION

FECHA EDS: 11-11-2011
REV. FORMATO: H

CONFIDENCIAL: ESTE DIBUJO Y SU INFORMACION SON PROPIEDAD DE USO EXCLUSIVO Y CONFIDENCIAL DE REGAL-BELOIT CORPORATION. Y NO DEBERAN SER REVELADOS, DUPLICADOS, DISTRIBUIDOS O USARSE DE OTRA MANERA SIN EL CONSENTIMIENTO ESCRITO DE REGAL-BELOIT CORPORATION. -TODOS LOS DERECHOS RESERVADOS.

REGAL REGAL-BELOIT CORPORATION

DESCRIPCION: MODEL-RFHP-48FR OUTLINE

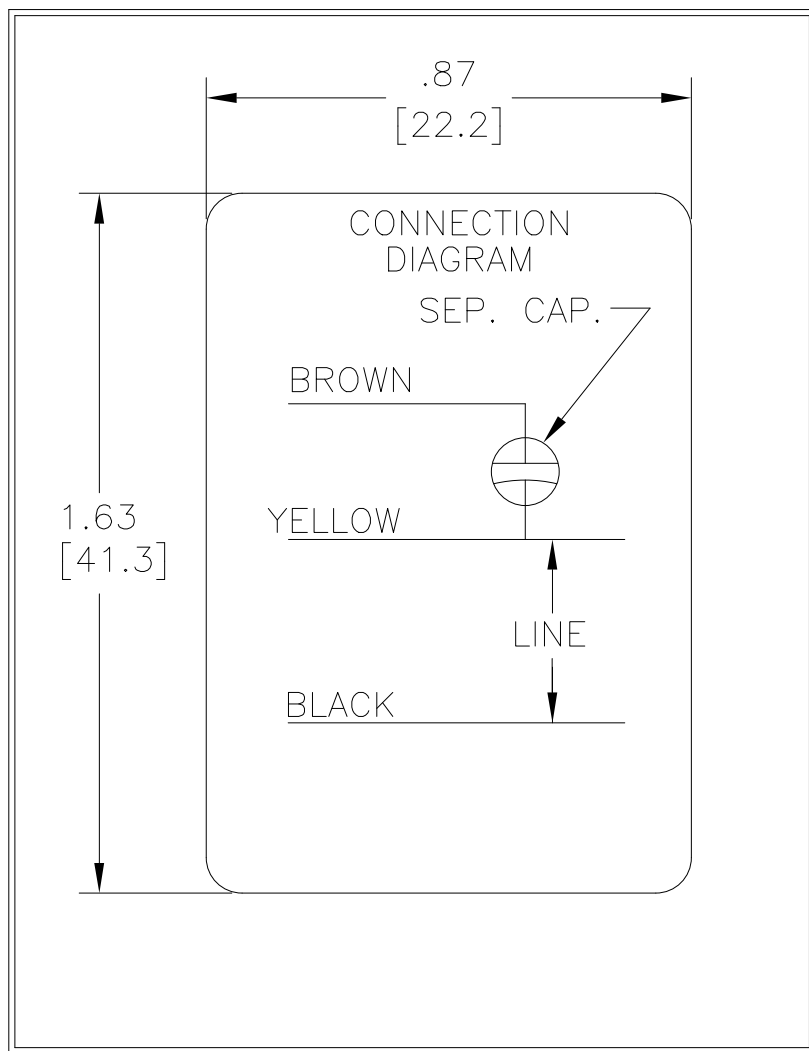
TAMAÑO: C NUMERO DE DIBUJO: F48V42A01
ESCALA: NONE HOJA: 1

4

3

2

1



DRAWING REVISION D	REVISION BY J. RUPERT	DATE 06-30-2023
ECO NMR-0223535	APPROVED BY J. RUPERT	DATE 06-30-2023

ECO DESCRIPTION
REVISED FOR UP ISSUE

COPYRIGHT REGAL BELOIT AMERICA, INC. ALL RIGHTS RESERVED.
PROPRIETARY AND CONFIDENTIAL INFORMATION - THIS DOCUMENT IS THE PROPERTY OF
REGAL BELOIT AMERICA, INC. ("OWNER") AND CONTAINS OWNER'S PROPRIETARY
INFORMATION. ANY PERSON, CORPORATION OR OTHER FIRM RECEIVING IT IS DEEMED,
BY RECEIVING IT, TO AGREE THAT IT, AND/OR ANY PART OF IT, SHALL NOT BE DISCLOSED
TO ANY PERSON, CORPORATION OR OTHER ENTITY, DUPLICATED, AND/OR USED, EXCEPT
AS EXPRESSLY APPROVED IN WRITING IN ADVANCE BY OWNER. THIS DOCUMENT SHALL
BE RETURNED TO OWNER UPON REQUEST. IT MAY BE SUBJECT TO CERTAIN
RESTRICTIONS UNDER APPLICABLE EXPORT CONTROL LAWS AND REGULATIONS.

TOLERANCES UNLESS OTHERWISE SPECIFIED			
DEC.	INCH	mm	ANGLE
.X	±0.1	[±2.5]	±0.5°
.XX	±0.02	[±0.51]	
.XXX	±0.005	[±0.127]	
.XXXX	±0.0005	[±0.0127]	
REMOVE BURRS & BREAK SHARP EDGES .003/.015 [.076/.381] X 45°			
CORNER FILLETS R.02 [.51]			
MACHINED SURFACES			
$\sqrt{125}$ INCH \sqrt{mm} $\sqrt{3.2}$			
mm SHOWN IN [BRACKETS]			

DRAWN BY: N. LONG
DATE: 07-14-1986
APPROVED BY:
DATE:
REFERENCE
THIRD ANGLE PROJECTION

Regal Beloit America, Inc.	
DESCRIPTION CONN DIAGRAM-NAMEPLATE	
MATERIAL	PROCESS/FINISH
SIZE A	DWG NO 6 of 6
614131-003	
SHEET 1	