



Nameplate Specifications

Output HP	1/5 Hp	Output KW	0.15 kW
Frequency	60 Hz	Voltage	115 V
Current	9.8 A	Speed	1030 rpm
Service Factor	1	Phase	1
Duty	Air Over	Insulation Class	B
Frame	42Y	Enclosure	Open Air Over
Thermal Protection	Automatic	Ambient Temperature	40 °C
UL	Recognized	CSA	Y
CE	N	Number of Speeds	4

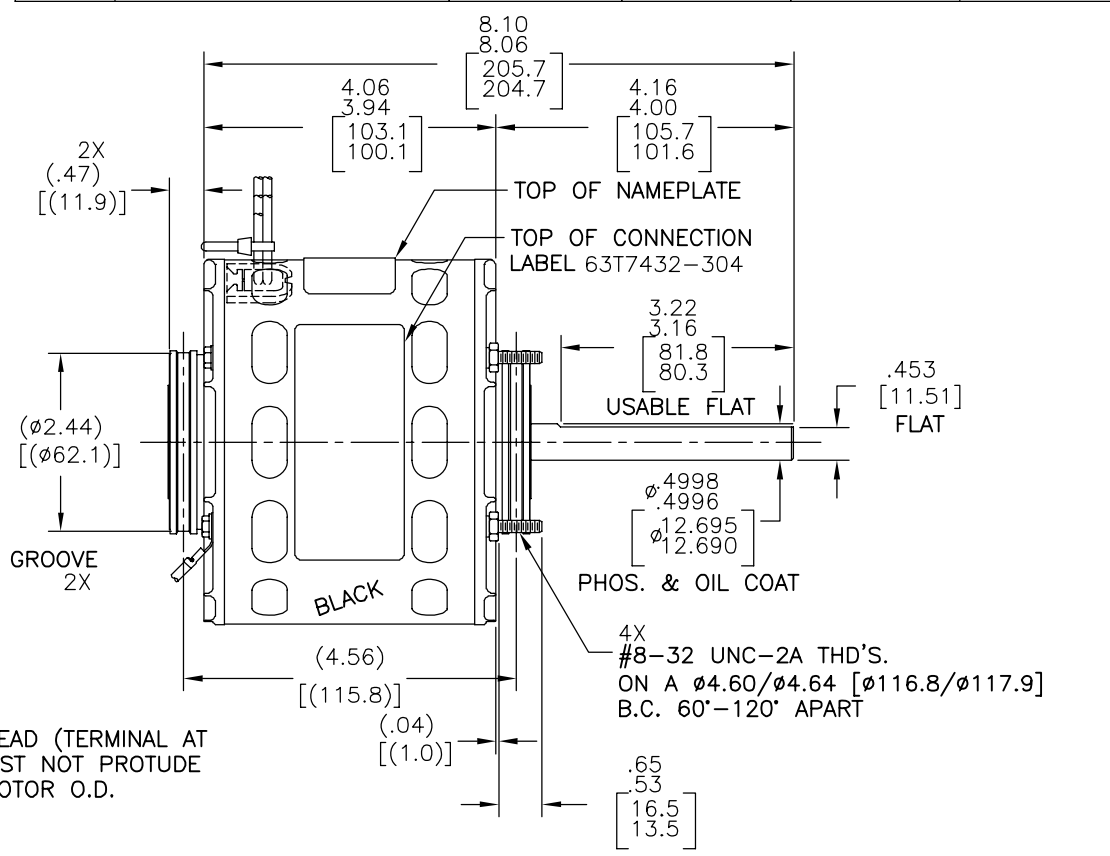
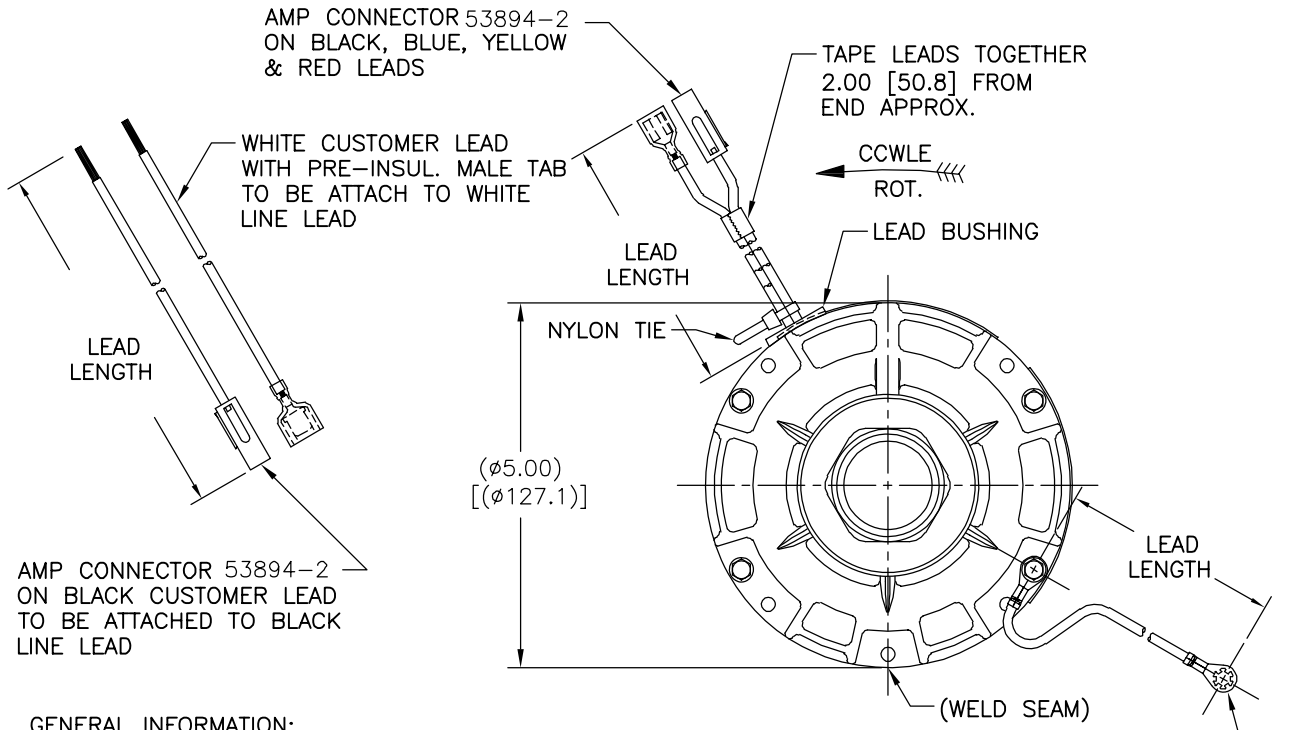
Technical Specifications

Electrical Type	Shaded Pole	Starting Method	Across The Line
Poles	6	Rotation	Counterclockwise Lead End
Mounting	Resilient Rings	Motor Orientation	Horizontal
Drive End Bearing	Sleeve	Opp Drive End Bearing	Sleeve
Frame Material	Rolled Steel	Shaft Type	Flat
Overall Length	8.57 in	Frame Length	3.42 in
Shaft Diameter	0.500 in	Shaft Extension	4.0 in
Outline Drawing	DA3H7025-S01		

This is an uncontrolled document once printed or downloaded and is subject to change without notice. Date Created:02/07/2022

4 3 2 1

REV	ECO	REV BY	DATE	APPD	DATE
E	0029017	L. BERNAL	10-17-2012	R. RASCON	10-17-2012



GENERAL INFORMATION:

SHAFT RUNOUT:	.001 [.025] T.I.R. PER INCH LENGTH OF EXTENSION
END PLAY:	.005 TO .040 [.13 TO 1.02]
BEARINGS:	SLEEVE
MOUNTING POSITION:	HORIZONTAL

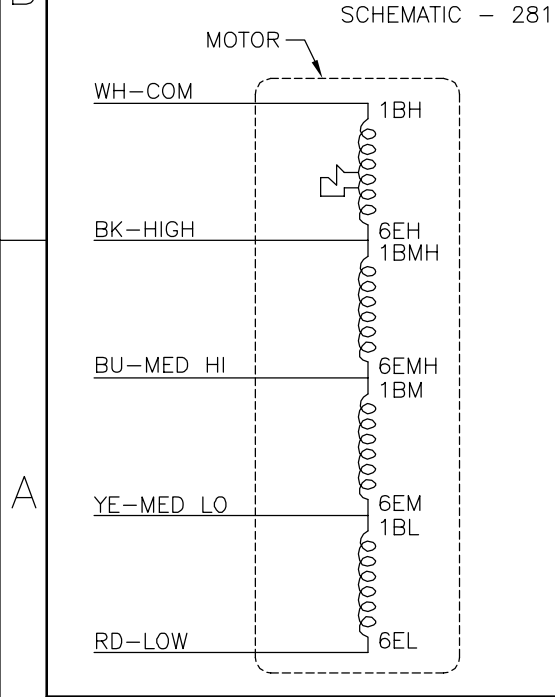
ELECTRICAL DATA:

OVERLOAD PROTECTOR:	AUTOMATIC RESET (T.I. 7AM 037)
LINE LEADS:	NO. 18 GA., .06 [1.5] THK. PVC 105°C INSUL.
BLACK CUST. LEAD:	NO. 18 GA., .03 [.8] THK. XLP 125°C INSUL.
WHITE CUST. LEAD:	NO. 18 GA., .03 [.8] THK. XLP 125°C INSUL.
GROUND LEAD:	NO. 16 GA., .03 [.8] THK. (GREEN/YELLOW) INSUL.

MAIN FRAME - OLE	OPEN
END FRAME - OLE	OPEN
MAIN FRAME - LE	OPEN
END FRAME - LE	OPEN
ENCLOSURE	

NOTE:
1. DISTRIBUTION PART NUMBER: OCA6427
GRAINGER PART NUMBER: 4UY78

COLOR	LENGTH	TERMINAL OR STRIP LENGTH
GREEN/YELLOW (GROUND)	12.0/14.0 [305/356]	#10 EYELET
BLACK (CUST. LEAD)	12.0/14.0 [305/356]	AMP TERMINAL 53892-4
WHITE (CUST. LEAD)	11.0/13.0 [279/330]	.25 [6.4] PER-INSUL. MALE TAB
RED	12.0/14.0 [305/356]	AMP TERMINAL 53892-4
YELLOW	12.0/14.0 [305/356]	AMP TERMINAL 53892-4
BLUE	12.0/14.0 [305/356]	AMP TERMINAL 53892-4
BLACK	12.0/14.0 [305/356]	AMP TERMINAL 53892-4
WHITE	12.0/14.0 [305/356]	.25 [6.4] PRE-INSUL. FEMALE SPADE



NAMEPLATE DATA:

TIPP CITY, OHIO
THERMALLY PROTECTED

SER. DATE & P0# PLT LTR MOD DA3H025N" []

VOLTS 115 HZ 60 AMPS 9.8

RPM 1050 SP 4 PH 1 CAP

INS CL B AMB 40°C HP 1/5 CONT AO

BRG SLV

← ROTATION →

ASSEMBLED IN MEXICO

PREFORMANCE CURVE NO.	TORQUE @ 1030 RPM (25°C)	APPROVED SAMPLE	UL COMPONENT FILE#	GUIDE#	CSA FILE#	GUIDE#
C32435	277.2 OZ. IN.	0442626B	-	-	-	-

GEOMETRIC CHARACTERISTICS & SYMBOLS

- FLATNESS
- STRAIGHTNESS
- ∠ ANGULARITY
- ⊥ PERPENDICULARITY (SQUARENESS)
- ∥ PARALLELISM
- ROUNDNESS (CIRCULARITY)
- ⊘ CYLINDRICITY
- △ PROFILE OF ANY SURFACE
- ∩ PROFILE OF ANY LINE
- ∠ RUNOUT
- ⊕ TRUE POSITION
- ◎ CONCENTRICITY
- ≡ SYMMETRY

ASME Y14.5M 1994

REGAL-BELOIT CORPORATION (RBC) PROVIDES TECHNICAL ASSISTANCE TO OUR CUSTOMERS IN SEVERAL AREAS. SINCE RBC DOES NOT RECEIVE ALL DATA CONCERNING THE USE AND APPLICATION OF THE MOTOR, THE SUITABILITY OF THE MOTOR FOR THE APPLICATION MUST BE DETERMINED BY THE CUSTOMER.

DIMENSIONS WITHOUT TOLERANCES ARE FOR REFERENCE ONLY.

DR BY:	L. BERNAL	10-17-2012
APPD:	A. BAUGHMAN	10-17-2012
THIRD ANGLE PROJECTION	EDS DATE 11-11-2011	FORMAT REV H
CONFIDENTIAL: THIS DRAWING AND ITS INFORMATION ARE THE EXCLUSIVE AND CONFIDENTIAL PROPERTY OF REGAL-BELOIT CORPORATION AND ARE NOT TO BE DISCLOSED, DUPLICATED, DISTRIBUTED OR OTHERWISE USED WITHOUT THE WRITTEN CONSENT OF REGAL-BELOIT CORPORATION. -ALL RIGHTS RESERVED.		

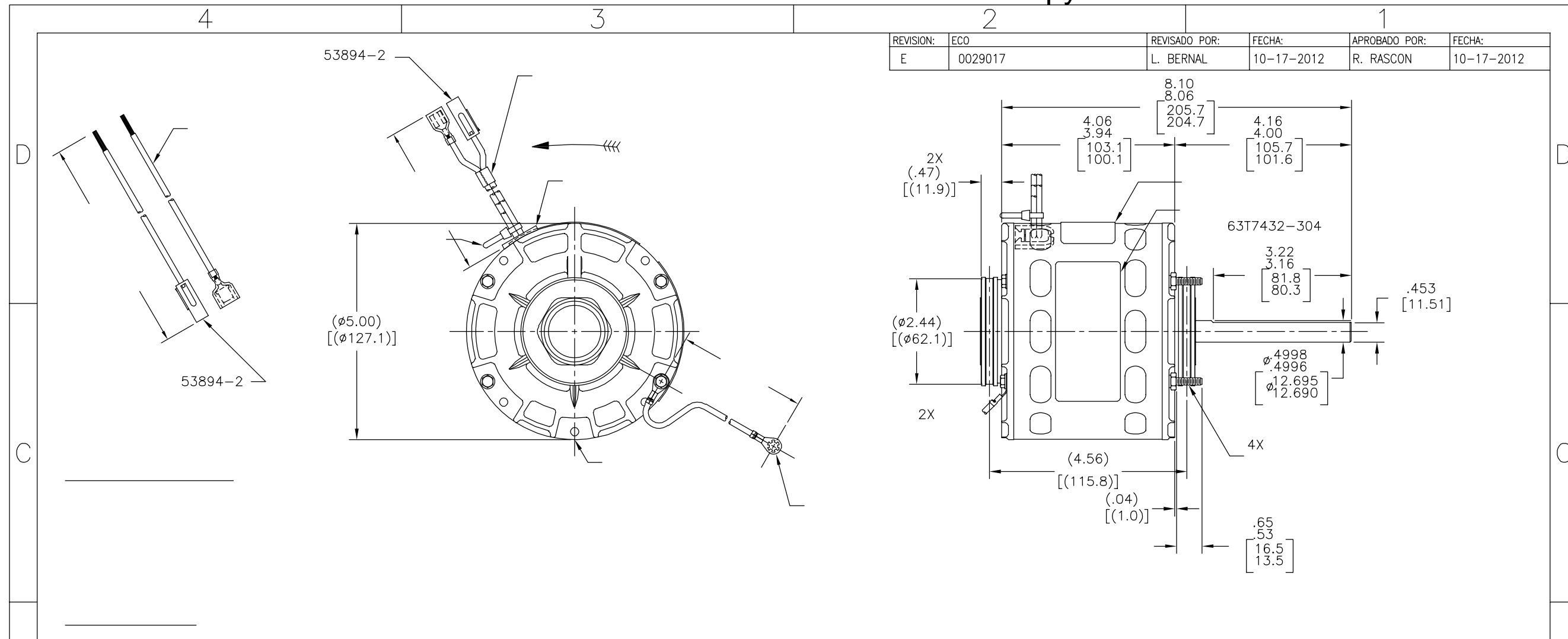
REGAL REGAL-BELOIT CORPORATION

DESCRIPTION: MODEL-RFHP-42FR OUTLINE

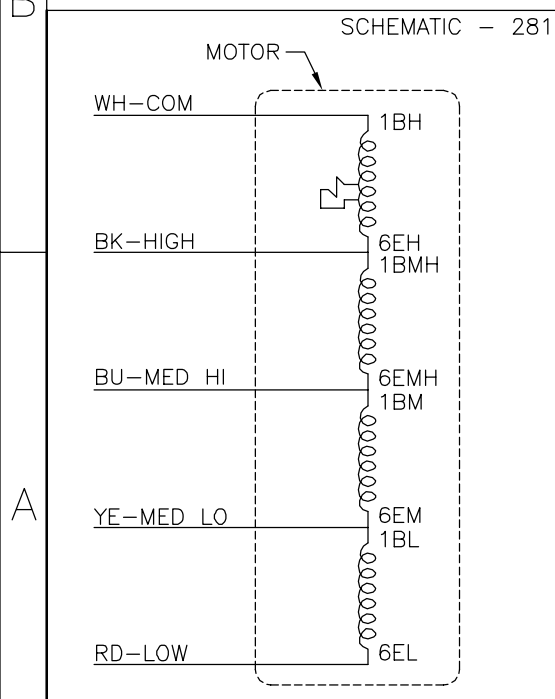
SIZE C DWG NO DA3H7025

SCALE NONE SHEET 1

4 3 2 1



REVISION:	ECO	REVISADO POR:	FECHA:	APROBADO POR:	FECHA:
E	0029017	L. BERNAL	10-17-2012	R. RASCON	10-17-2012



Century TIPP CITY, OHIO THERMALLY PROTECTED

SER. DATE & P0# PLT LTR MOD DA3H025N" []

VOLTS 115 HZ 60 AMPS 9.8

RPM 1050 SP 4 PH 1 CAP

INS CL B AMB 40 °C HP 1/5 CONT AO ← ROTATION →

BRG SLV ASSEMBLED IN MEXICO

	(25°C)				
C32435	277.2 OZ. IN.	0442626B	-	-	-

CARACTERISTICAS DE GEOMETRIA Y SIMBOLOS

- PLANICIDAD
- RECTITUD
- ∠ ANGULARIDAD
- ⊥ PERPENDICULARIDAD (A ESCUADRA)
- // PARALELISMO
- REDONDEZ (CIRCULARIDAD)
- ⊘ CILINDRICIDAD
- △ PERFIL DE CUALQUIER SUPERFICIE
- ∧ PERFIL DE CUALQUIER LINEA
- ∩ VARIACION
- ⊕ POSICION REAL
- ◎ CONCENTRICIDAD
- = SIMETRIA

ASME Y14.5M 1994

REGAL-BELOIT CORPORATION (RBC) PROVEE ASISTENCIA TECNICA A NUESTROS CLIENTES EN VARIAS AREAS. DESDE QUE RBC NO RECIBE TODOS LOS DATOS EN RELACION AL USO Y A LA APLICACION DEL MOTOR, LA APLICACION ADECUADA DEL MOTOR DEBE SER DETERMINADA POR EL CLIENTE.

DIMENSIONES SIN TOLERANCIA SON DE REFERENCIA SOLAMENTE

DIBUJADO POR: L. BERNAL 10-17-2012

APROBADO POR: A. BAUGHMAN 10-17-2012

TERCER ANGULO DE PROYECCION

FECHA EDS: 11-11-2011

REV. FORMATO: H

CONFIDENCIAL: ESTE DIBUJO Y SU INFORMACION SON PROPIEDAD DE USO EXCLUSIVO Y CONFIDENCIAL DE REGAL-BELOIT CORPORATION. Y NO DEBERAN SER REVELADOS, DUPLICADOS, DISTRIBUIDOS O USARSE DE OTRA MANERA SIN EL CONSENTIMIENTO ESCRITO DE REGAL-BELOIT CORPORATION. -TODOS LOS DERECHOS RESERVADOS.

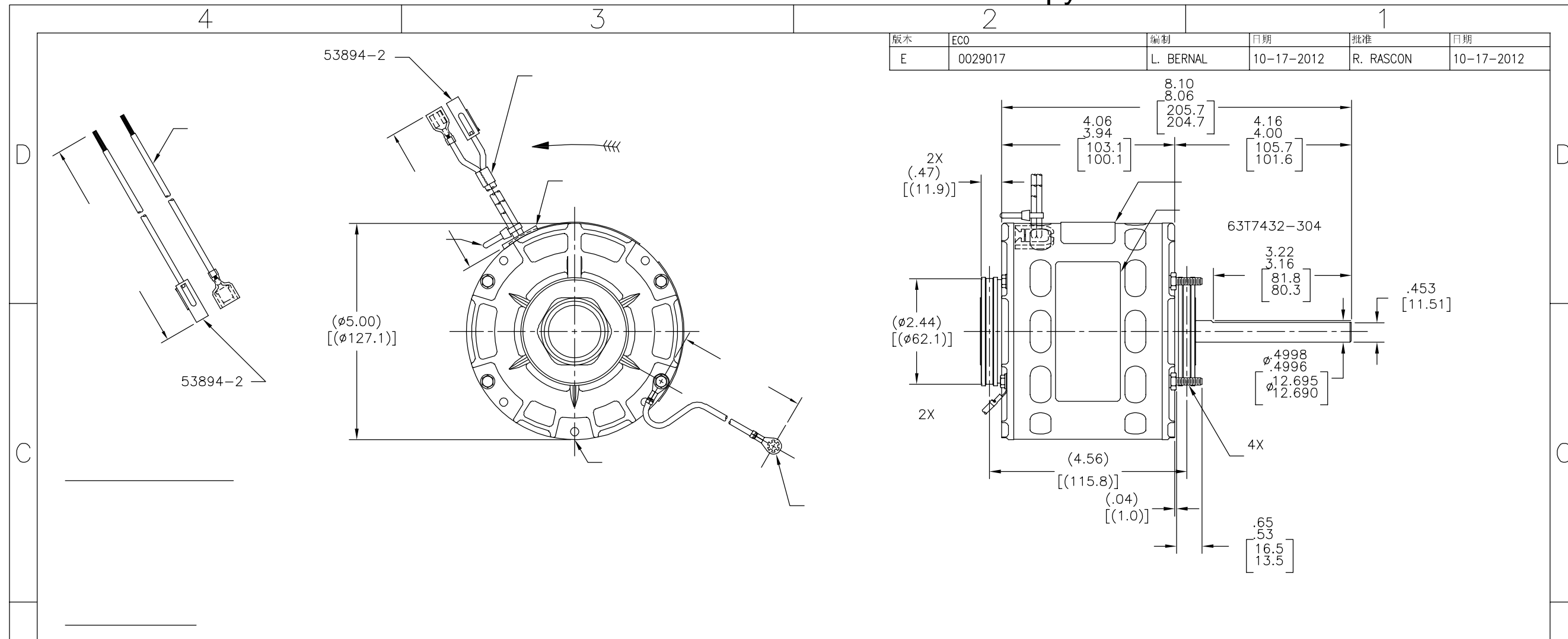
	12.0/14.0	
	[305/356]	
	12.0/14.0	53892-4
	[305/356]	
	11.0/13.0	.25 [6.4]
	[279/330]	
	12.0/14.0	53892-4
	[305/356]	
	12.0/14.0	53892-4
	[305/356]	
	12.0/14.0	53892-4
	[305/356]	
	12.0/14.0	.25 [6.4]
	[305/356]	

REGAL REGAL-BELOIT CORPORATION

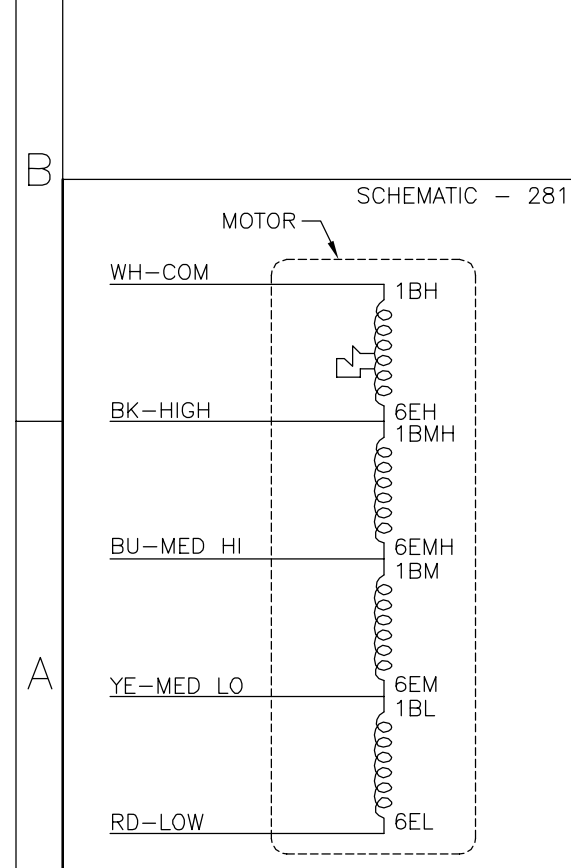
DESCRIPCION: MODEL-RFHP-42FR OUTLINE

TAMAÑO: C NUMERO DE DIBUJO: DA3H7025

ESCALA: NONE HOJA: 1



版本	ECO	编制	日期	批准	日期
E	0029017	L. BERNAL	10-17-2012	R. RASCON	10-17-2012



Century TIPP CITY, OHIO THERMALLY PROTECTED

SER. DATE & P0# PLT LTR MOD DA3H025N" []

VOLTS 115 HZ 60 AMPS 9.8

RPM 1050 SP 4 PH 1 CAP

INS CL B AMB 40 °C HP 1/5 CONT AO ← ROTATION →

BRG SLV ASSEMBLED IN MEXICO

	(25°C)				
C32435	277.2 OZ. IN.	0442626B	-	-	-

- 形位公差
- 平面度
 - 直线度
 - ∠ 倾斜度
 - ⊥ 垂直度
 - // 平行度
 - 圆度
 - ⊘ 圆柱度
 - ⊙ 圆跳动
 - △ 面轮廓度
 - ∇ 线轮廓度
 - ↗ 圆跳动
 - ⊕ 位置度
 - ⊙ 同轴度
 - ≡ 对称度
- ASME Y14.5M 1994

REGAL-BELOIT CORPORATION (RBC) 在个别领域为客户提供技术支持。鉴于RBC未收到任何涉及电机使用和应用环境的数据，电机的适用性由客户自己决定。

未注公差尺寸仅供参考。

绘图: L. BERNAL 10-17-2012

批准: A. BAUGHMAN 10-17-2012

第三角投影

图纸格式发布日期 11-11-2011
图纸格式版本 H

机密: 本图纸及相关信息所有权归REGAL-BELOIT CORPORATION。未经REGAL-BELOIT CORPORATION书面授权, 不得泄露、复制或传播作其他用途。—版权所有

	12.0/14.0	
	[305/356]	
	12.0/14.0	53892-4
	[305/356]	
	11.0/13.0	.25 [6.4]
	[279/330]	
	12.0/14.0	53892-4
	[305/356]	
	12.0/14.0	53892-4
	[305/356]	
	12.0/14.0	53892-4
	[305/356]	
	12.0/14.0	.25 [6.4]
	[305/356]	

REGAL REGAL-BELOIT CORPORATION

名称 MODEL-RFHP-42FR OUTLINE

图幅 C 图号 DA3H7025

比例 NONE 页号 1