

# PRODUCT INFORMATION PACKET

Model No: OCB1056

Catalog No: OCB1056

OEM Replacement Motor, 1/2 HP, 1 Ph, 60 Hz, 208-230 V, 1075 RPM, 3 Speed, 48 Frame, SEMI ENCLOSED



Regal and are trademarks of Regal Rexnord Corporation or one of its affiliated companies.  
©2022 Regal Rexnord Corporation, All Rights Reserved. MC017097E

**Nameplate Specifications**

Output HP	1/2 Hp	Output KW	0.37 kW
Frequency	60 Hz	Voltage	208-230 V
Current	3 A	Speed	1075 rpm
Service Factor	1	Phase	1
Duty	Air Over	Insulation Class	B
Frame	48Y	Enclosure	Semi Enclosed
Thermal Protection	Automatic	Ambient Temperature	40 °C
UL	Recognized	CSA	Y
CE	N	Number of Speeds	3

**Technical Specifications**

Electrical Type	Permanent Split Capacitor	Starting Method	Across The Line
Poles	6	Rotation	Counterclockwise Lead End
Mounting	Lug	Motor Orientation	Horizontal
Drive End Bearing	Sleeve	Opp Drive End Bearing	Sleeve
Frame Material	Rolled Steel	Shaft Type	Flat
Overall Length	15.25 in	Frame Length	4.99 in
Shaft Diameter	0.500 in	Shaft Extension	2.8X.5X7.5 in
Connection Drawing	614131-040	Outline Drawing	OCB1056-S01

This is an uncontrolled document once printed or downloaded and is subject to change without notice. Date Created:09/15/2022

4

3

2

1

REV	ECO	REV BY	DATE	APPD	DATE
B	0024331	A.CHEN	03-13-2012	B.SHEN	03-13-2012

GENERAL INFORMATION:

SHAFT RUNOUT: .001[.03] T.I.R. PER INCH LENGTH OF EXTENSION.  
 END PLAY: .010[.25] TO .063[1.60]  
 BEARINGS: SLEEVE  
 MOUNTING POSITION: HORIZONTAL

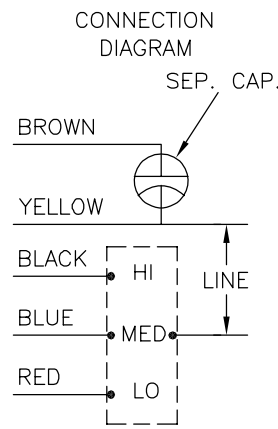
ELECTRICAL DATA:

OVERLOAD PROTECTOR: AUTOMATIC RESET (T.I. 7AM 036)  
 LEADS: NO. 18 GA., .03[.8]THK., 125°C INSUL.  
 GROUND LEAD: NO. 18 GA., .03[.8]THK., (GREEN) INSUL.

NAMEPLATE DATA:

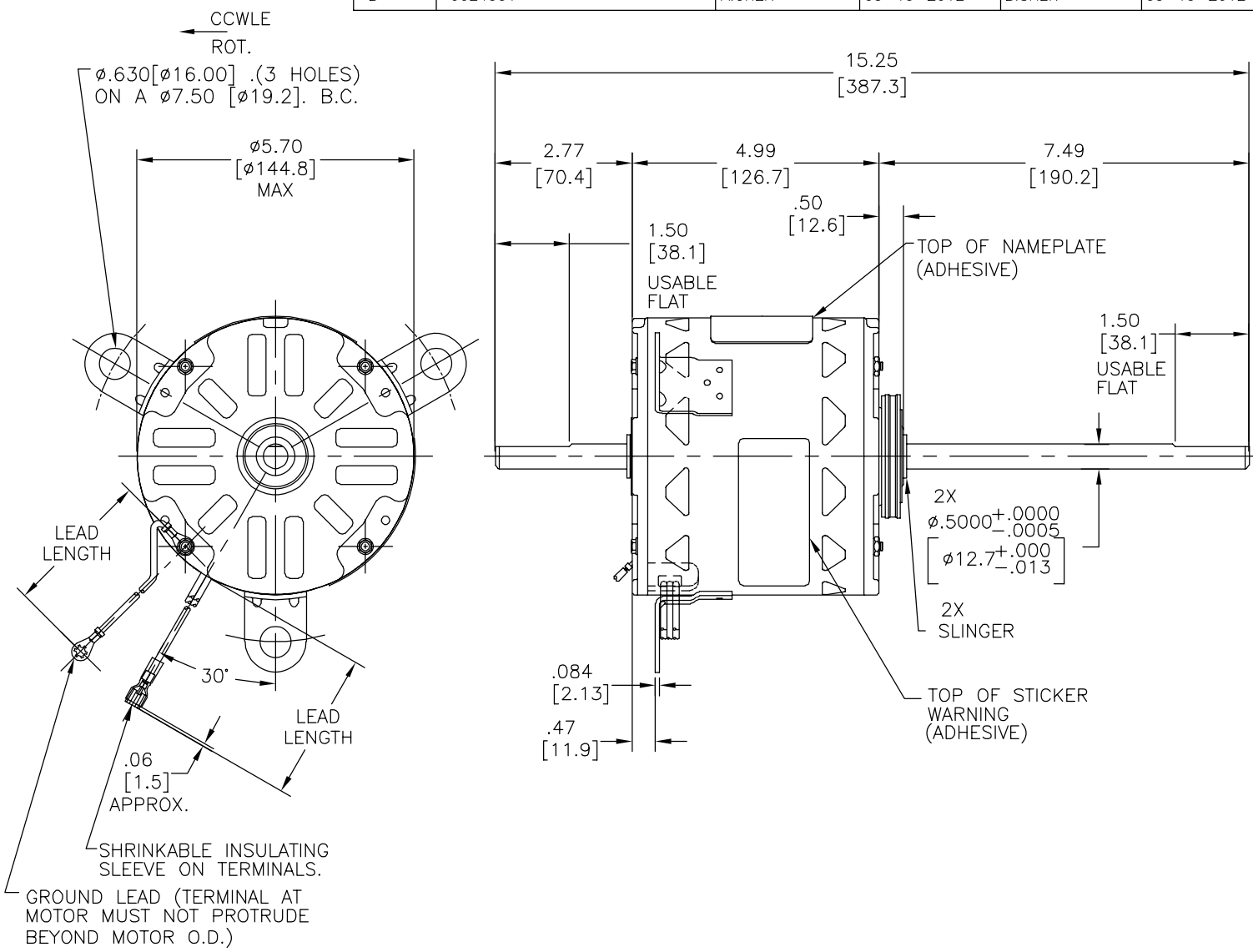
EXTERNAL CONNECTION DIAGRAM

MODEL NO.: F48V06A01  
 CUST. P/N: OCB1056  
 HP: 1/2  
 ROT.: CCWLE  
 RPM: 1075/3 SPD  
 TYPE: UF  
 FRAME: 48Y  
 VOLTS: 208-230  
 PH: 1  
 AMPS: 3  
 HZ: 60  
 INS.: B  
 AMB.: 40° C  
 DUTY: AIR OVER  
 CAP.: 7.5 MFD/370V  
 ENCL: SEMI-ENCLOSED  
 UL LOGO  
 CSA LOGO  
 THERMALLY PROTECTED



614131-040

PERFORMANCE CURVE NO.	TORQUE @ 1075 RPM (25°C)	APPROVED SAMPLE	UL COMPONENT		CSA	
C32286	41.6 OZ. FT.	0442383B	FILE #	CCN #	FILE #	CLASS #
			E46412	PRGY2	LR43341	4211-01



GREEN(GRD)	15.0/17.0 [381/432]	#10 EYELET
BROWN	31.0/33.0 [787/838]	.25[6.4] FEMALE SPADE
YELLOW	31.0/33.0 [787/838]	.25[6.4] FEMALE SPADE
BLACK	31.0/33.0 [787/838]	.25[6.4] FEMALE SPADE
BLUE	31.0/33.0 [787/838]	.25[6.4] FEMALE SPADE
RED	31.0/33.0 [787/838]	.25[6.4] FEMALE SPADE
COLOR	LENGTH	TERMINAL OR STRIP LENGTH

MAIN FRAME - OLE	OPEN
END FRAME - OLE	ENCLOSED
MAIN FRAME - LE	OPEN
END FRAME - LE	OPEN

CUSTOMER	DISTRIBUTION SERVICES
----------	-----------------------

GEOMETRIC CHARACTERISTICS & SYMBOLS  
 □ FLATNESS  
 — STRAIGHTNESS  
 ∠ ANGULARITY  
 ⊥ PERPENDICULARITY (SQUARENESS)  
 ∥ PARALLELISM  
 ○ ROUNDNESS (CIRCULARITY)  
 ∅ CYLINDRICITY  
 △ PROFILE OF ANY SURFACE  
 ∩ PROFILE OF ANY LINE  
 ↗ RUNOUT  
 ⊕ TRUE POSITION  
 ⊙ CONCENTRICITY  
 = SYMMETRY  
 ASME Y14.5M 1994

REGAL-BELOIT CORPORATION (RBC) PROVIDES TECHNICAL ASSISTANCE TO OUR CUSTOMERS IN SEVERAL AREAS. SINCE RBC DOES NOT RECEIVE ALL DATA CONCERNING THE USE AND APPLICATION OF THE MOTOR, THE SUITABILITY OF THE MOTOR FOR THE APPLICATION MUST BE DETERMINED BY THE CUSTOMER.  
 DIMENSIONS WITHOUT TOLERANCES ARE FOR REFERENCE ONLY.

DR BY: A.CHEN 03-13-2012  
 APPD: B.SHEN 03-13-2012  
 THIRD ANGLE PROJECTION  
 CONFIDENTIAL: THIS DRAWING AND ITS INFORMATION ARE THE EXCLUSIVE AND CONFIDENTIAL PROPERTY OF REGAL-BELOIT CORPORATION AND ARE NOT TO BE DISCLOSED, DUPLICATED, DISTRIBUTED OR OTHERWISE USED WITHOUT THE WRITTEN CONSENT OF REGAL-BELOIT CORPORATION. -ALL RIGHTS RESERVED.

**REGAL-BELOIT CORPORATION**

DESCRIPTION: MODEL-RFHP-48FR OUTLINE

SIZE: C DWG NO: OCB1056

SCALE: NONE SHEET: 1

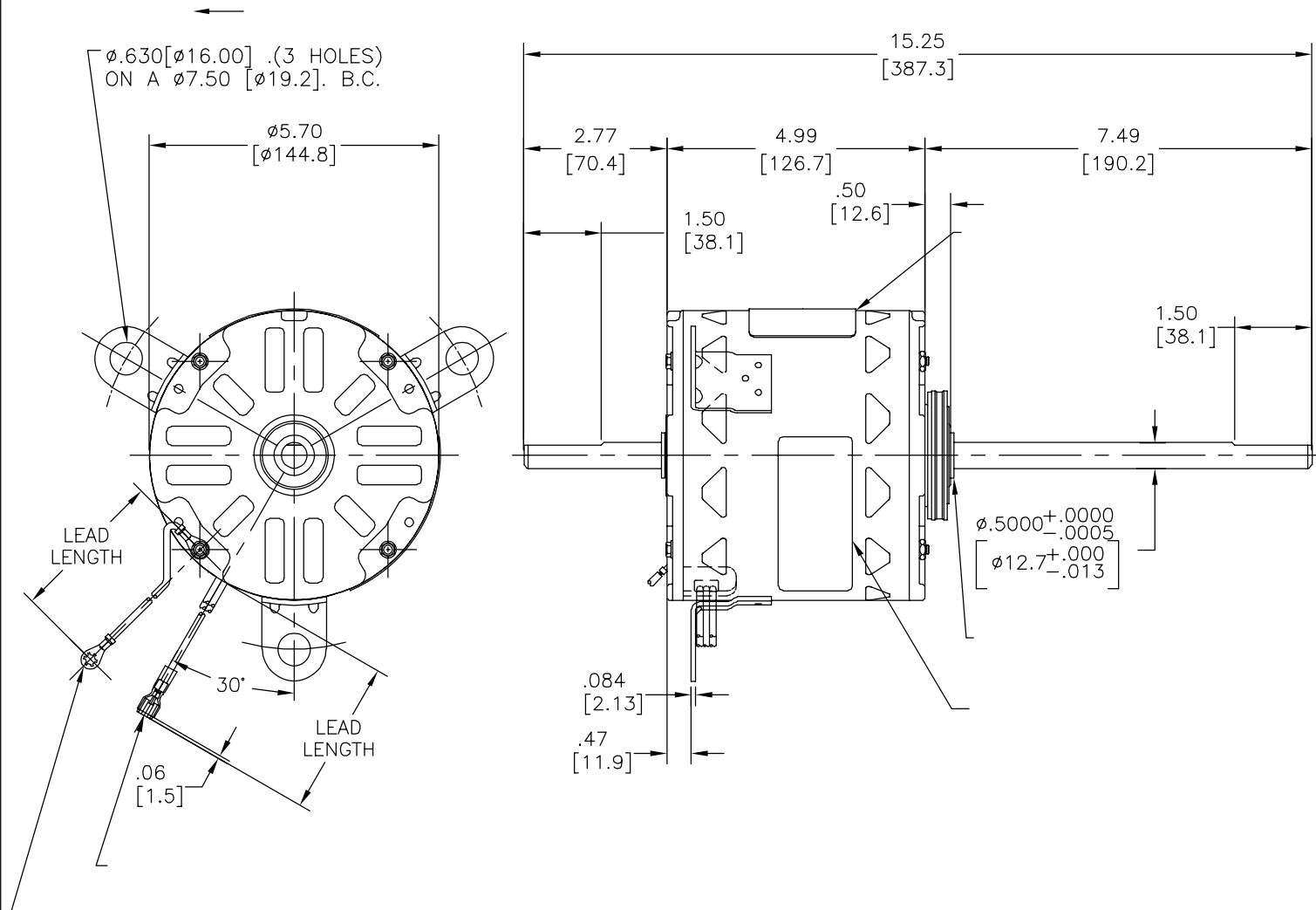
4

3

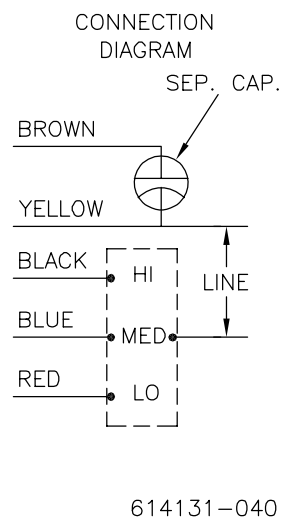
2

1

REVISION:	ECO	REVISADO POR:	FECHA:	APROBADO POR:	FECHA:
B	0024331	A.CHEN	03-13-2012	B.SHEN	03-13-2012



MODEL NO.: F48V06A01  
 CUST. P/N: OCB1056  
 HP: 1/2  
 ROT.: CCWLE  
 RPM: 1075/3 SPD  
 TYPE: UF  
 FRAME: 48Y  
 VOLTS: 208-230  
 PH: 1  
 AMPS: 3  
 HZ: 60  
 INS.: B  
 AMB.: 40° C  
 DUTY: AIR OVER  
 CAP.: 7.5 MFD/370V  
 ENCL: SEMI-ENCLOSED  
 UL LOGO  
 CSA LOGO  
 THERMALLY PROTECTED



	15.0/17.0	
	[381/432]	
	31.0/33.0	
	[787/838]	
	31.0/33.0	
	[787/838]	
	31.0/33.0	
	[787/838]	
	31.0/33.0	.25[6.4] FEMALE SPADE
	[787/838]	
	31.0/33.0	.25[6.4] FEMALE SPADE
	[787/838]	

C32286	41.6 OZ. FT.	0442383B	E46412	PRGY2	LR43341	4211-01
--------	--------------	----------	--------	-------	---------	---------

CARACTERISTICAS DE GEOMETRIA Y SIMBOLOS  
 ▧ PLANICIDAD  
 — RECTITUD  
 < ANGULARIDAD  
 ⊥ PERPENDICULARIDAD (A ESCUADRA)  
 // PARALELISMO  
 ○ REDONDEZ (CIRCULARIDAD)  
 ∅ CILINDRICIDAD  
 △ PERFIL DE CUALQUIER SUPERFICIE  
 ▲ PERFIL DE CUALQUIER LINEA  
 ↗ VARIACION  
 ⊕ POSICION REAL  
 ⊙ CONCENTRICIDAD  
 = SIMETRIA  
 ASME Y14.5M 1994

REGAL-BELOIT CORPORATION (RBC)  
 PROVEE ASISTENCIA TECNICA A  
 NUESTROS CLIENTES EN VARIAS AREAS.  
 DESDE QUE RBC NO RECIBE TODOS  
 LOS DATOS EN RELACION AL USO Y A  
 LA APLICACION DEL MOTOR, LA  
 APLICACION ADECUADA DEL MOTOR  
 DEBE SER DETERMINADA POR EL  
 CLIENTE.

DIMENSIONES SIN TOLERANCIA SON  
 DE REFERENCIA SOLAMENTE

DIBUJADO POR: A.CHEN  
 03-13-2012  
 APROBADO POR: B.SHEN  
 03-13-2012  
 TERCER ANGULO DE PROYECCION  
 CONFIDENCIAL: ESTE DIBUJO Y SU INFORMACION SON PROPIEDAD DE USO EXCLUSIVO Y CONFIDENCIAL DE REGAL-BELOIT CORPORATION. Y NO DEBERAN SER REVELADOS, DUPLICADOS, DISTRIBUIDOS O USARSE DE OTRA MANERA SIN EL CONSENTIMIENTO ESCRITO DE REGAL-BELOIT CORPORATION. -TODOS LOS DERECHOS RESERVADOS.

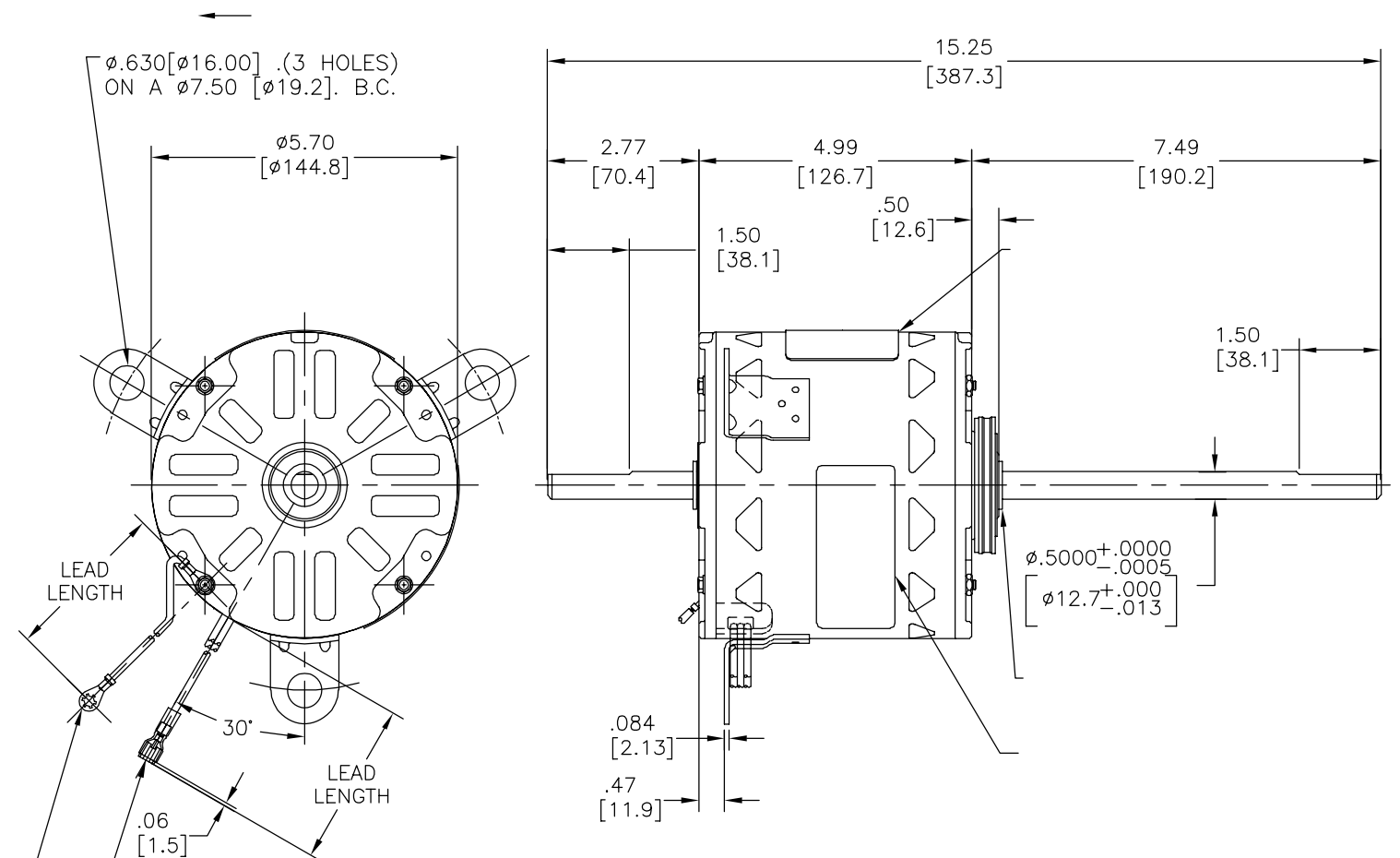


DESCRIPCION: MODEL-RFHP-48FR  
 OUTLINE  
 TAMAÑO: C NUMERO DE DIBUJO: OCB1056  
 ESCALA:NONE HOJA: 1

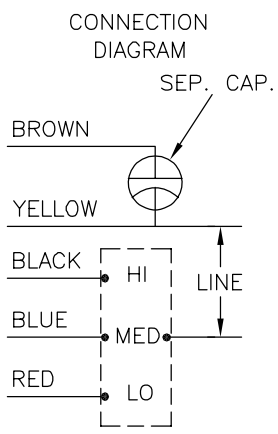
DISTRIBUTION SERVICES

4 3 2 1

版本	ECO	编制	日期	批准	日期
B	0024331	A.CHEN	03-13-2012	B.SHEN	03-13-2012



MODEL NO.: F48V06A01  
 CUST. P/N: OCB1056  
 HP: 1/2  
 ROT.: CCWLE  
 RPM: 1075/3 SPD  
 TYPE: UF  
 FRAME: 48Y  
 VOLTS: 208-230  
 PH: 1  
 AMPS: 3  
 HZ: 60  
 INS.: B  
 AMB.: 40° C  
 DUTY: AIR OVER  
 CAP.: 7.5 MFD/370V  
 ENCL: SEMI-ENCLOSED  
 UL LOGO  
 CSA LOGO  
 THERMALLY PROTECTED



614131-040

	15.0/17.0	
	[381/432]	
	31.0/33.0	
	[787/838]	
	31.0/33.0	
	[787/838]	
	31.0/33.0	
	[787/838]	
	31.0/33.0	.25[6.4] FEMALE SPADE
	[787/838]	
	31.0/33.0	.25[6.4] FEMALE SPADE
	[787/838]	

C32286	41.6 OZ. FT.	0442383B	E46412	PRGY2	LR43341	4211-01
--------	--------------	----------	--------	-------	---------	---------

DISTRIBUTION SERVICES

- 形位公差
- 平面度
- 直线度
- ∠ 倾斜度
- ⊥ 垂直度
- // 平行度
- 圆度
- ⊘ 圆柱度
- ⊙ 面轮廓度
- △ 线轮廓度
- ↗ 圆跳动
- ⊕ 位置度
- ⊙ 同轴度
- ≡ 对称度

ASME Y14.5M 1994

REGAL-BELOIT CORPORATION (RBC) 在个别领域为客户提供技术支持。鉴于RBC未收到任何涉及电机使用和应用环境的数据，电机的适用性由客户自己决定。

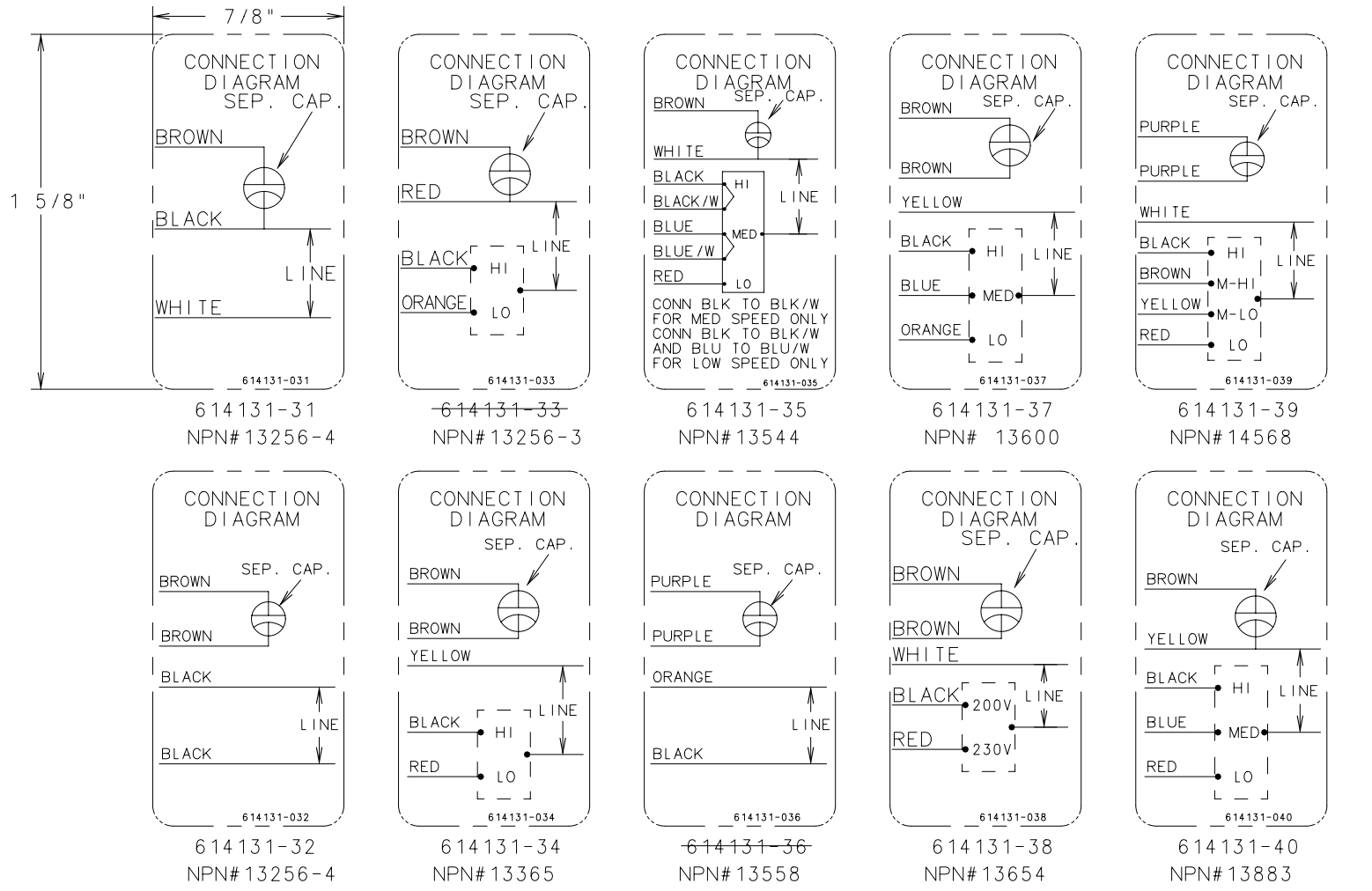
未注公差尺寸仅供参考。

绘图:	A.CHEN	03-13-2012
批准:	B.SHEN	03-13-2012
第三角投影		图纸格式发布日期 11-11-2011 图纸格式版本 G
机密:	本图纸及相关信息所有权归REGAL-BELOIT CORPORATION。未经REGAL-BELOIT CORPORATION书面授权，不得泄露、复制、传播或作其他用途。一版权所有	



名称	MODEL-RFHP-48FR OUTLINE	
图幅	C	图号 OCB1056
比例	NONE	页号 1

4 3 2 1



NOTES:

- FOR USE WITH 614129 NAMEPLATE BLANK
- - - - - INDICATES DIMENSIONAL LIMITS.
- DIE TO BE MADE FROM MASTER SUPPLIED BY A. O. SMITH CORP.
- DIE MUST PRODUCE A LEGIBLE IMPRESSION.

DATE	CHANGED FROM	APPROVED ENG/DRF	NOTICE	DATE	CHANGED FROM	APPROVED ENG/DRF	NOTICE	GEOMETRIC CHARACTERISTICS & SYMBOLS	UNLESS OTHERWISE SPECIFIED DIMENSION TOLERANCES ARE AS FOLLOWS	MATERIAL	DRAWN	
				04-22-02	REDRAW TO CAD	JWO/SR	0241122	□ FLATNESS — STRAIGHTNESS < ANGULARITY ⊥ PERPENDICULARITY (SQUARENESS) // PARALLELISM ○ ROUNDNESS (CIRCULARITY) ∅ CYLINDRICITY △ PROFILE OF ANY SURFACE ∩ PROFILE OF ANY LINE ∩ RUNOUT ⊕ TRUE POSITION ⊙ CONCENTRICITY = SYMMETRY	INCHES .XX ±.02 .XXX ±.005 METRIC ±.5 ±.15 ANGLES ±.50 DEG REMOVE BURRS AND BREAK SHARP EDGES .003-.015. CORNER FILLETS TO .020 MACHINE SURFACES 125 ✓	-	S. RECKERS 03-26-02	
											J. ONEILL 06-26-02	
												DESCRIPTION CONNECTION DIAGRAM (EXT.)
												SIZE B
												PART NUMBER 614131
												THRU -40
												SCALE 2 : 1 NOTICE SEE ABOVE SHEET 4