

PRODUCT INFORMATION PACKET



Model No: OCC1056

Catalog No: OCC1056

OEM Replacement Motor, 1/2 HP, 1 Ph, 60 Hz, 115 V, 1075 RPM, 4 Speed, 48 Frame, OPEN



Regal and Century are trademarks of Regal Rexnord Corporation or one of its affiliated companies.
©2022 Regal Rexnord Corporation, All Rights Reserved. MC017097E





Nameplate Specifications

Output HP	1/2 Hp	Output KW	0.37 kW
Frequency	60 Hz	Voltage	115 V
Current	7.5 A	Speed	1075 rpm
Service Factor	1	Phase	1
Duty	Air Over	Insulation Class	B
Frame	48Y	Enclosure	Open Enclosed
Thermal Protection	Automatic	Ambient Temperature	40 °C
UL	Recognized	CSA	Y
CE	N	Number of Speeds	4

Technical Specifications

Electrical Type	Permanent Split Capacitor	Starting Method	Across The Line
Poles	6	Rotation	Counterclockwise Lead End
Mounting	Round Belly Band	Motor Orientation	Horizontal
Drive End Bearing	Sleeve	Opp Drive End Bearing	Sleeve
Frame Material	Rolled Steel	Shaft Type	Flat
Overall Length	17.20 in	Frame Length	4.75 in
Shaft Diameter	0.500 in	Shaft Extension	7.8X.5X4.3 in
Outline Drawing	12079-012-S01	Connection Drawing	614131-149

This is an uncontrolled document once printed or downloaded and is subject to change without notice. Date Created:11/28/2022

4

3

2

1

REV	ECO	REV BY	DATE	APPD	DATE
D	002554	O. CARVAJAL	05-01-2012	M. AVILA	05-01-2012

GENERAL INFORMATION:

SHAFT RUNOUT: .001 [.03] T.I.R. PER INCH LENGTH OF EXTENSION

END PLAY: .010 TO .063 [.25 TO 1.60]

BEARINGS: SLEEVE

MOUNTING POSITION: HORIZONTAL

ELECTRICAL DATA:

OVERLOAD PROTECTOR: AUTOMATIC RESET (T.I. 7AM 036)

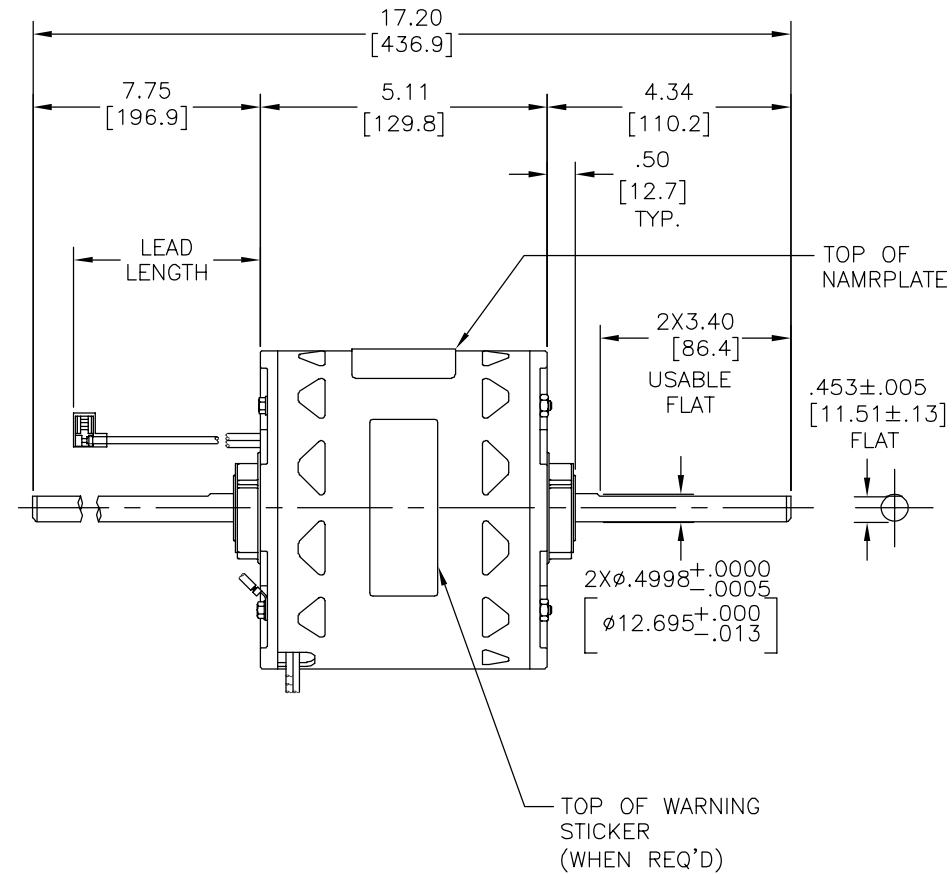
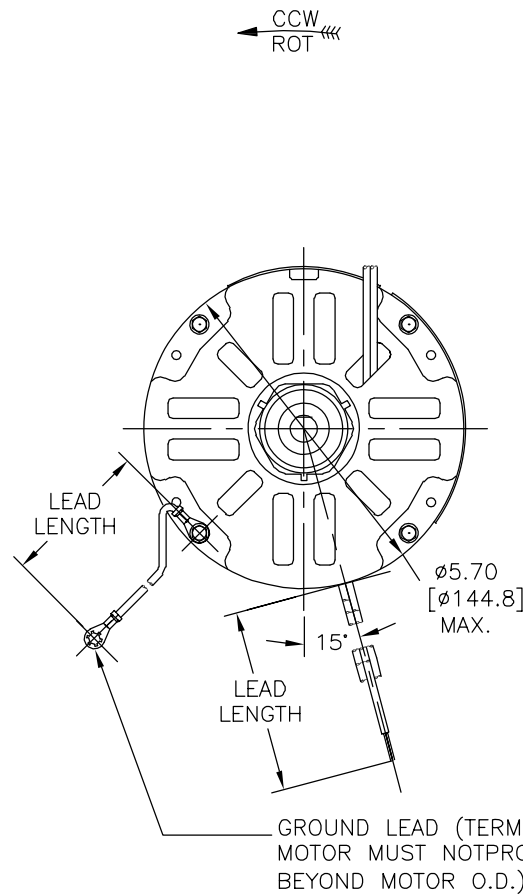
LEADS: NO. 18 GA., .06 [1.5] THK. 125°C EPDM INSUL.

GROUND LEAD: NO. 18 GA., .03 [.8] THK. (GREEN) INSUL.

NOTES:

- 1. DISTRIBUTION CUST. P/N: OCC1056
GRAINGER CUST. P/N: 4ME25

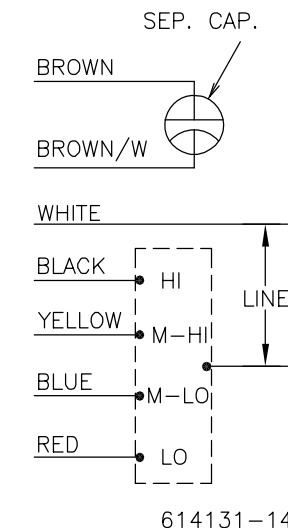
SEE NOTE 1



NAMEPLATE DATA:

EXTERNAL CONNECTION DIAGRAM

MODEL NO.: F48N28A01
CUST. P/N: []
HP: 1/2
ROT.: CCWLE
RPM: 1075/4 SPD
TYPE: UF
FRAME: 48Y
VOLTS: 115
PH: 1
AMPS: 7.5
HZ: 60
INS.: B
AMB.: 40°C
DUTY: AIR OVER
CAP.: 7.5 MFD/370 V
ENCL: OPEN
UL LOGO
CSA LOGO
THERMALLY PROTECTED



614131-149

GREEN(GRD)	11.5/13.5 [292/343]	.25[6.4] EYELET
BROWN	11.5/13.5 [292/343]	.25[6.4] FLAG
BROWN/WHITE	11.5/13.5 [292/343]	.25[6.4] FLAG
WHITE	15.5/17.5 [394/445]	.50[12.7] STRIP
BLACK	15.5/17.5 [394/445]	.50[12.7] STRIP
YELLOW	15.5/17.5 [394/445]	.50[12.7] STRIP
BLUE	15.5/17.5 [394/445]	.50[12.7] STRIP
RED	15.5/17.5 [394/445]	.50[12.7] STRIP
COLOR	LENGTH	TERMINAL OR STRIP LENGTH

MAIN FRAME - OLE	OPEN
END FRAME - OLE	OPEN
MAIN FRAME - LE	OPEN
END FRAME - LE	OPEN

CUSTOMER	DISTRIBUTION SERVICE
----------	----------------------

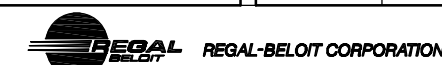
PERFORMANCE CURVE NO.	TORQUE @ 1050 RPM (25°C)	APPROVED SAMPLE	UL COMPONENT		CSA	
C31834	44.1 OZ. FT.	99AC077A	FILE #	CCN #	FILE #	CLASS #
			E46412	PRGY2	LR43341	4211-01

GEOMETRIC CHARACTERISTICS & SYMBOLS
 □ FLATNESS
 - STRAIGHTNESS
 < ANGLARITY
 ⊥ PERPENDICULARITY (SQUARENESS)
 // PARALLELISM
 ○ ROUNDNESS (CIRCULARITY)
 ∅ CYLINDRICITY
 △ PROFILE OF ANY SURFACE
 ∩ PROFILE OF ANY LINE
 ↗ RUNOUT
 ⊕ TRUE POSITION
 ⊙ CONCENTRICITY
 = SYMMETRY
 ASME Y14.5M 1994

REGAL-BELOIT CORPORATION (RBC) PROVIDES TECHNICAL ASSISTANCE TO OUR CUSTOMERS IN SEVERAL AREAS. SINCE RBC DOES NOT RECEIVE ALL DATA CONCERNING THE USE AND APPLICATION OF THE MOTOR, THE SUITABILITY OF THE MOTOR FOR THE APPLICATION MUST BE DETERMINED BY THE CUSTOMER.

DIMENSIONS WITHOUT TOLERANCES ARE FOR REFERENCE ONLY.

DR BY: D.M. JONES 06-07-1999
 APPD: J.P. MU 06-07-1999
 THIRD ANGLE PROJECTION
 EDS DATE 11-11-2011
 FORMAT REV G
 CONFIDENTIAL: THIS DRAWING AND ITS INFORMATION ARE THE EXCLUSIVE AND CONFIDENTIAL PROPERTY OF REGAL-BELOIT CORPORATION AND ARE NOT TO BE DISCLOSED, DUPLICATED, DISTRIBUTED OR OTHERWISE USED WITHOUT THE WRITTEN CONSENT OF REGAL-BELOIT CORPORATION. -ALL RIGHTS RESERVED.



DESCRIPTION: MODEL-RFHP-48FR OUTLINE
 SIZE: C DWG NO: 12079-012
 SCALE: 1:1 SHEET: 1

4

3

2

1

4

3

2

1

REVISION:	ECO	REVISADO POR:	FECHA:	APROBADO POR:	FECHA:
D	002554	O. CARVAJAL	05-01-2012	M. AVILA	05-01-2012

INFORMACION GENERAL:

OSCILACION DE FLECHA: .001 [.03] T.I.R. PER INCH LENGTH OF EXTENSION

JUEGO AXIAL: .010 A .063 [.25 A 1.60]

BALEROS: MANGA

POSICION DEL MONTAJE: HORIZONTAL

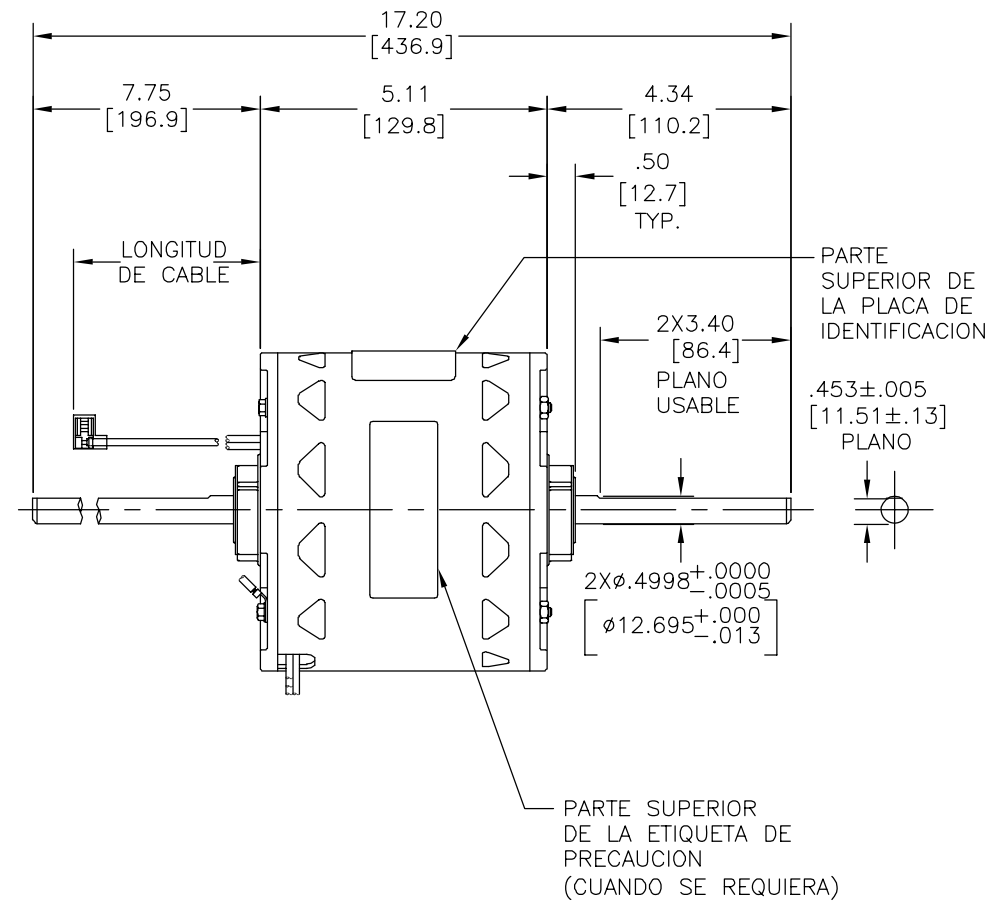
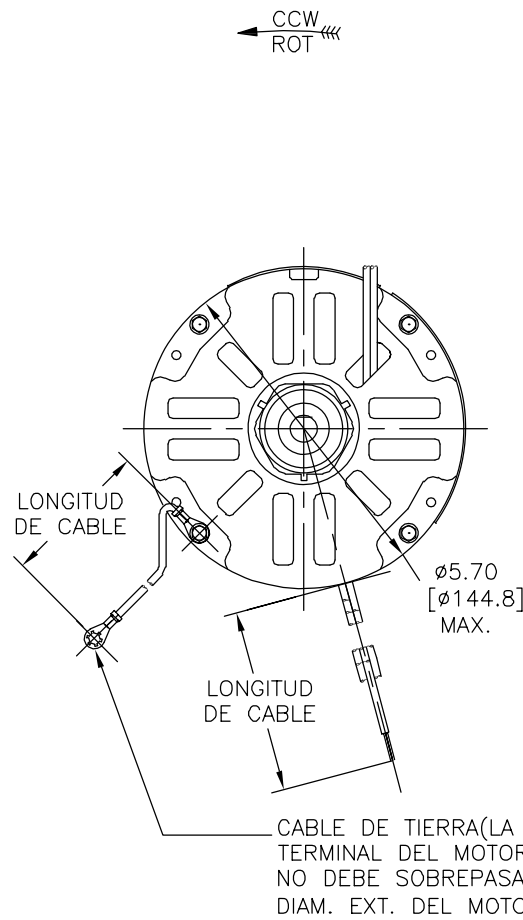
INFORMACION ELECTRICA:

SOBRECARGA DEL PROTECTOR: REINICIO AUTOMATIC (T.I. 7AM 036)

CABLES: NO. 18 GA., .06 [1.5] THK. PVC 105°C AISLAM.

CABLE DE TIERRA: NO. 18 GA., .03 [.8] THK. (VERDE) AISLAM.

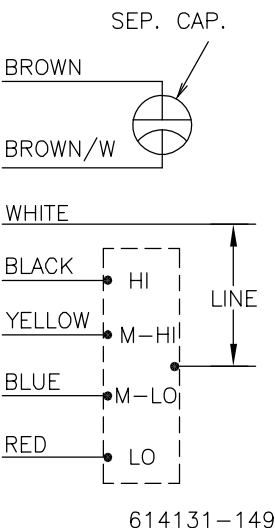
NOTES:
1. DISTRIBUTION CUST. P/N: OCC1056
GRAINGER CUST. P/N: 4ME25



INFORMACION DE ETIQUETA:

DIAGRAMA DE CONEXION EXTRNA

MODEL NO.: F48N28A01
CUST. P/N: []
HP: 1/2
ROT.: CCWLE
RPM: 1075/4 SPD
TYPE: UF
FRAME: 48Y
VOLTS: 115
PH: 1
AMPS: 7.5
HZ: 60
INS.: B
AMB.: 40°C
DUTY: AIR OVER
CAP.: 7.5 MFD/370 V
ENCL: OPEN
UL LOGO
CSA LOGO
THERMALLY PROTECTED



TIERRA(VERDE)	11.5/13.5 [292/343]	.25[6.4] OJAL
CAFE	11.5/13.5 [292/343]	.25[6.4] BANDERA
CAFE/BLANCO	11.5/13.5 [292/343]	.25[6.4] BANDERA
BLANCO	15.5/17.5 [394/445]	.50[12.7] DESFORRE
NEGRO	15.5/17.5 [394/445]	.50[12.7] DESFORRE
AMARILLO	15.5/17.5 [394/445]	.50[12.7] DESFORRE
AZUL	15.5/17.5 [394/445]	.50[12.7] DESFORRE
ROJO	15.5/17.5 [394/445]	.50[12.7] DESFORRE
COLOR	LONGITUD	TERMINAL O LONGITUD DE DESFORRE

DE CARCASA - OLE	ABIERTO
DE TAPA - OLE	ABIERTO
DE CARCASA - LE	ABIERTO
DE TAPA - LE	ABIERTO

CLIENTE	DISTRIBUTION SERVICE
---------	----------------------

CURVAS DE FUNCIONAMIENTO	TORSION @ 1050 RPM (25°C)	MUESTRA APROBADA	COMPONENTE UL	CSA
C31834	44.1 OZ. FT.	99AC077A	#ARCHIVO CCN #	#ARCHIVO CLASE #
			E46412 PRGY2	LR43341 4211-01

CARACTERISTICAS DE GEOMETRIA Y SIMBOLOS
 ▽ PLANICIDAD
 — RECTITUD
 ∠ ANGULARIDAD
 ⊥ PERPENDICULARIDAD (A ESCUADRA)
 // PARALELISMO
 ○ REDONDEZ (CIRCULARIDAD)
 ∅ CILINDRICIDAD
 △ PERFIL DE CUALQUIER SUPERFICIE
 ∩ PERFIL DE CUALQUIER LINEA
 ↗ VARIACION
 ⊕ POSICION REAL
 ⊙ CONCENTRICIDAD
 = SIMETRIA
 ASME Y14.5M 1994

REGAL-BELOIT CORPORATION (RBC) PROVEE ASISTENCIA TECNICA A NUESTROS CLIENTES EN VARIAS AREAS. DESDE QUE RBC NO RECIBE TODOS LOS DATOS EN RELACION AL USO Y A LA APLICACION DEL MOTOR, LA APLICACION ADECUADA DEL MOTOR DEBE SER DETERMINADA POR EL CLIENTE.
 DIMENSIONES SIN TOLERANCIA SON DE REFERENCIA SOLAMENTE

DIBUJADO POR: D.M. JONES 06-07-1999
 APROBADO POR: J.P. MU 06-07-1999
 TERCER ANGULO DE PROYECCION
 FECHA EDS: 11-11-2011
 REV. FORMATO: G
 CONFIDENCIAL: ESTE DIBUJO Y SU INFORMACION SON PROPIEDAD DE USO EXCLUSIVO Y CONFIDENCIAL DE REGAL-BELOIT CORPORATION. Y NO DEBERAN SER REVELADOS, DUPLICADOS, DISTRIBUIDOS O USARSE DE OTRA MANERA SIN EL CONSENTIMIENTO ESCRITO DE REGAL-BELOIT CORPORATION. -TODOS LOS DERECHOS RESERVADOS.

REGAL-BELOIT CORPORATION
 DESCRIPCION: MODEL-RFHP-48FR OUTLINE
 TAMAÑO: C NUMERO DE DIBUJO: 12079-012
 ESCALA: 1:1 HOJA: 1

4

3

2

1

4

3

2

1

版本	ECO	编制	日期	批准	日期
D	002554	O. CARVAJAL	05-01-2012	M. AVILA	05-01-2012

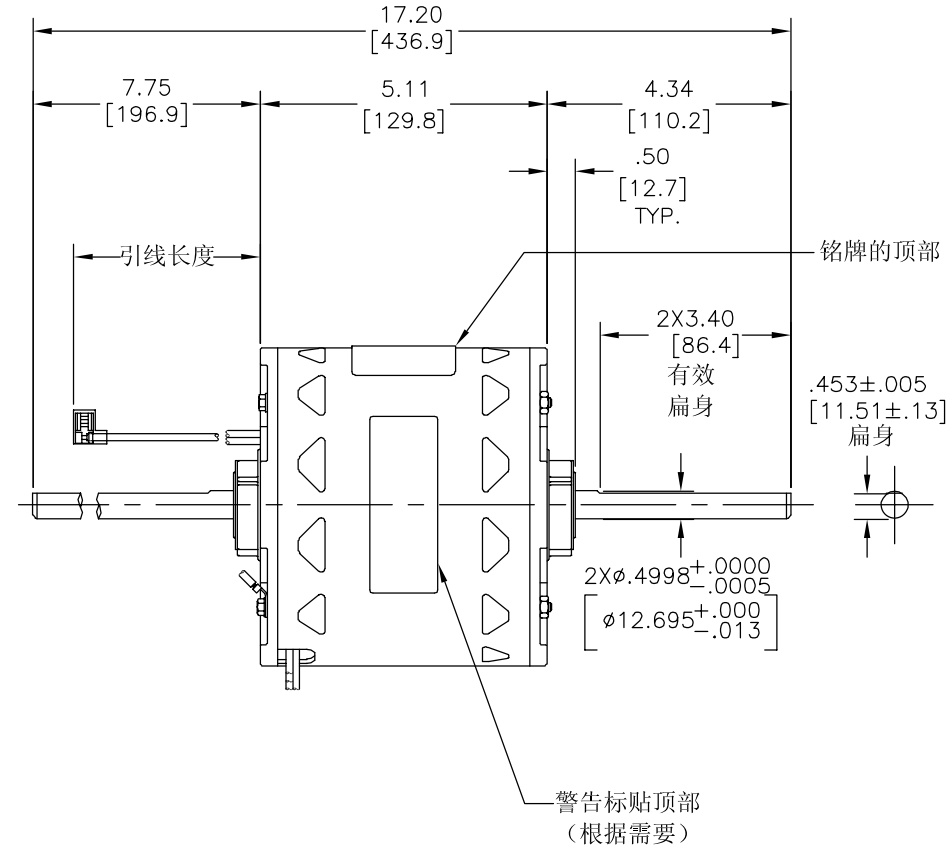
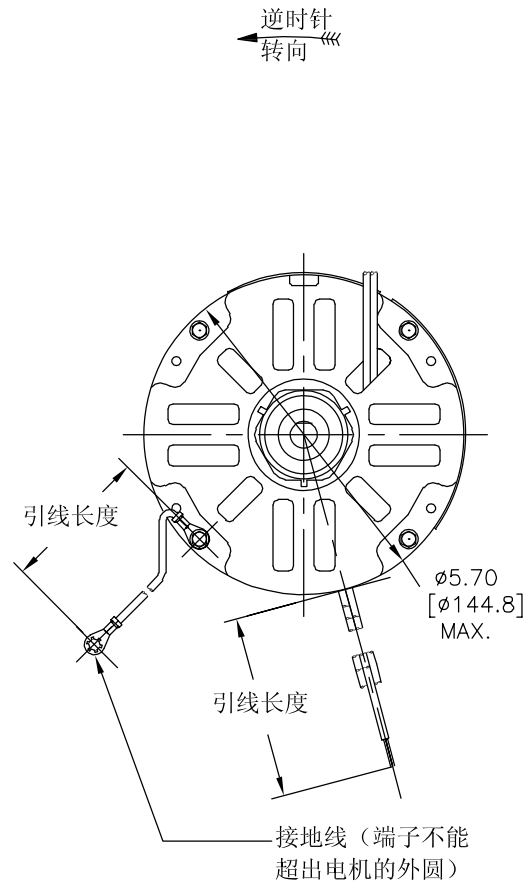
总要求:

轴跳动: .001/1 [.03/25.4] (外伸轴)
 端部窜动量: .010 - .063 [.25 - 1.60]
 轴承: 含油轴承
 安装位置: 水平

电气数据:

过载保护: 自动复位 (T. I. 7AM 036)
 引线: 18GA, 厚.06[1.5] 125°C EPDM 绝缘
 接地线: 18GA, 厚.03[0.8] 绿色绝缘

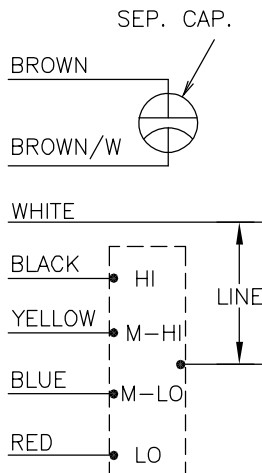
NOTES:
 1. DISTRIBUTION CUST. P/N: OCC1056
 GRAINGER CUST. P/N: 4ME25



铭牌数据

外部连接详图

MODEL NO.: F48N28A01
 CUST. P/N: []
 HP: 1/2
 ROT.: CCWLE
 RPM: 1075/4 SPD
 TYPE: UF
 FRAME: 48Y
 VOLTS: 115
 PH: 1
 AMPS: 7.5
 HZ: 60
 INS.: B
 AMB.: 40°C
 DUTY: AIR OVER
 CAP.: 7.5 MFD/370 V
 ENCL: OPEN
 UL LOGO
 CSA LOGO
 THERMALLY PROTECTED



绿 (接地)	11.5/13.5 [292/343]	.25[6.4] 金属圈
棕	11.5/13.5 [292/343]	.50[12.7] 旗形
棕/白	11.5/13.5 [292/343]	.50[12.7] 旗形
白	15.5/17.5 [394/445]	.50[12.7] 剥线长
黑	15.5/17.5 [394/445]	.50[12.7] 剥线长
黄	15.5/17.5 [394/445]	.50[12.7] 剥线长
蓝	15.5/17.5 [394/445]	.50[12.7] 剥线长
红	15.5/17.5 [394/445]	.50[12.7] 剥线长
颜色	长度	端子或剥线长度

非引线端机壳	开启
非引线端端盖	开启
引线端机壳	开启
引线端端盖	开启

用户	DISTRIBUTION SERVICE
----	----------------------

性能曲线编号	转矩在---RPM (25° C)	批准样品	UL部件		CSA	
			文件号	指南	文件号	指南
C31834	44.1 OZ. FT.	99AC077A	E46412	PRGY2	LR43341	4211-01

- 形位公差
- 平面度
- 直线度
- ∠ 倾斜度
- ⊥ 垂直度
- // 平行度
- 圆度
- ∅ 圆柱度
- △ 面轮廓度
- ∩ 线轮廓度
- ∧ 圆跳动
- ⊕ 位置度
- ⊙ 同轴度
- ≡ 对称度

ASME Y14.5M 1994

REGAL-BELOIT CORPORATION (RBC) 在个别领域为客户提供技术支持。鉴于RBC未收到任何涉及电机使用和应用环境的数据, 电机的适用性由客户自己决定。

未注公差尺寸仅供参考。

绘图: D.M. JONES 06-07-1999
 批准: J.P. MU 06-07-1999
 第三角投影
 机密: 本图纸及相关信息所有权归REGAL-BELOIT CORPORATION。未经REGAL-BELOIT CORPORATION书面授权, 不得泄露、复制、传播或作其他用途。—版权所有



名称: MODEL-RFHP-48FR OUTLINE

图幅: C 图号: 12079-012

比例: 1:1 页号: 1

4

3

2

1

