

PRODUCT INFORMATION PACKET



Model No: OCP0250

Catalog No: OCP0250

OEM Replacement Motor, 1/4 HP, 1 Ph, 60/50 Hz, 230 V, 1400/1625 RPM, 1 Speed, 42 Frame, OAO



Regal and Century are trademarks of Regal Rexnord Corporation or one of its affiliated companies.

©2023 Regal Rexnord Corporation, All Rights Reserved. MC017097E





Nameplate Specifications

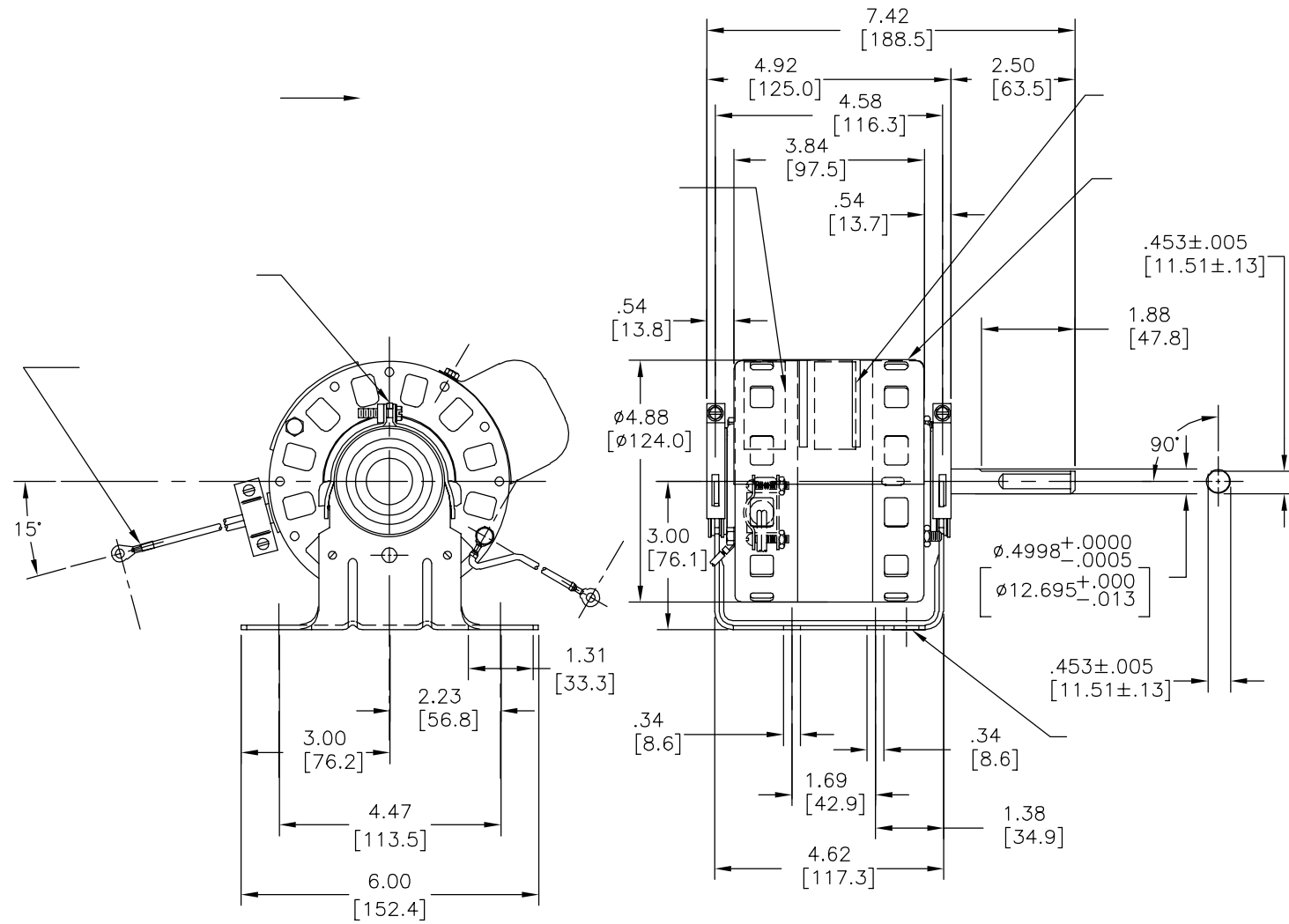
Phase	1	Output HP	1/4 Hp
Output KW	0.19 kW	Voltage	230 V
Speed	1400/1625 rpm	Service Factor	1
Frame	42Y	Enclosure	Open Air Over
Thermal Protection	Automatic	Ambient Temperature	40 °C
Frequency	50 Hz	Current	1.5 A
Duty	Air Over	Insulation Class	B
UL	Recognized	CSA	Y
CE	N	Number of Speeds	1

Technical Specifications

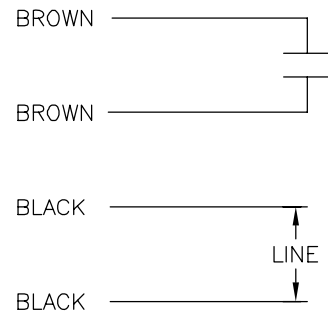
Electrical Type	Permanent Split Capacitor	Starting Method	Across The Line
Poles	4	Rotation	Clockwise Lead End
Mounting	Resilient Base	Motor Orientation	Horizontal
Drive End Bearing	Sleeve	Opp Drive End Bearing	Sleeve
Frame Material	Na	Shaft Type	Double Flat
Overall Length	6.88 in	Shaft Diameter	0.500 in
Shaft Extension	3 in		
Outline Drawing	11899-004	Connection Drawing	2494A79F01

This is an uncontrolled document once printed or downloaded and is subject to change without notice. Date Created:08/24/2023

版本	ECO	编制	日期	批准	日期
D	0026391	H.REN	05-28-2012	B.SHEN	05-28-2012



MODEL NO.: F42E91A01
 CUST. P/N: OCP0250
 HP: 1/4
 ROT.: CWLE
 RPM: 1400/1625
 TYPE: FLL
 FRAME: 42Y
 VOLTS: 230
 PH: 1
 AMPS: 1.5
 HZ: 50/60
 INS.: B
 AMB.: 40 °C
 DUTY: AIR OVER
 CODE: -
 CAP.: 5 MFD/370V
 ENCL: OPEN
 CSA LOGO
 UL LOGO
 THERMALLY PROTECTED
 TYPE C



	5.5/6.5	
	[140/165]	
	34.5/37.5	
	[876.3/952.5]	
	34.5/37.5	
	[876.3/952.5]	
COLOR		

C30116	18.0 - OZ. FT.	PSE7698	E46993	PRGY2	LR43341	230-0-0
--------	----------------	---------	--------	-------	---------	---------

- 形位公差
- 平面度
- 直线度
- ∠ 倾斜度
- ⊥ 垂直度
- // 平行度
- 圆度
- ⊘ 圆柱度
- △ 面轮廓度
- ∩ 线轮廓度
- ↗ 圆跳动
- ⊕ 位置度
- ⊙ 同轴度
- ≡ 对称度

ASME Y14.5M 1994

REGAL-BELOIT CORPORATION (RBC) 在个别领域为客户提供技术支持。鉴于RBC未收到任何涉及电机使用和应用环境的数据，电机的适用性由客户自己决定。

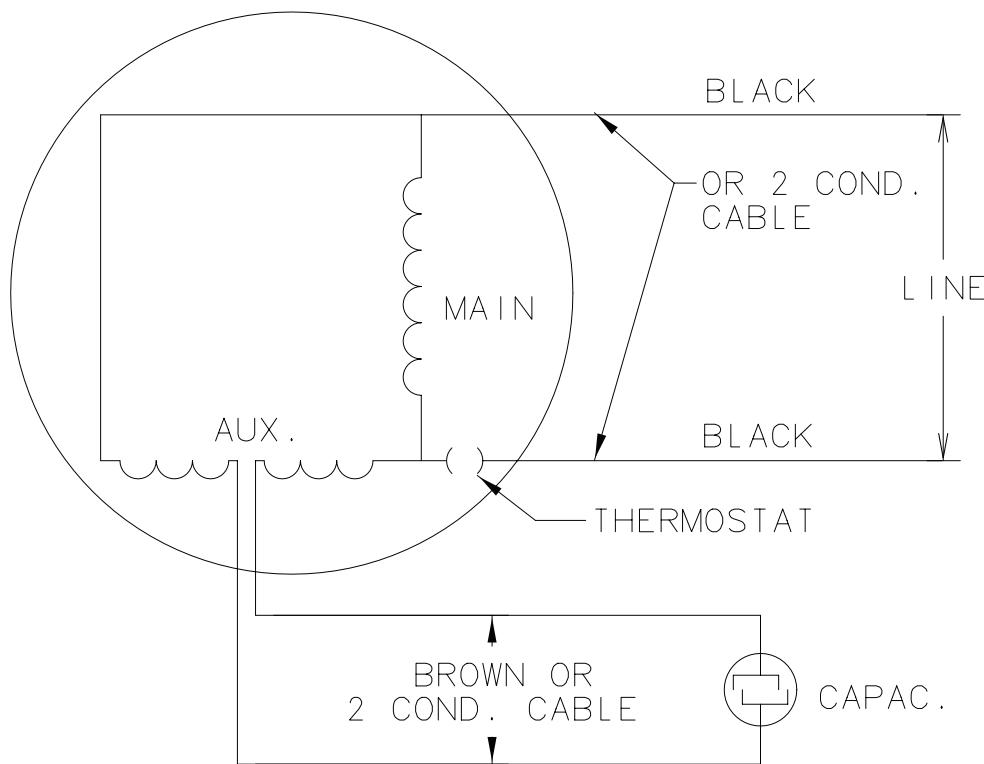
未注公差尺寸仅供参考。

绘图: GORDON 06-23-2003
 批准: RILEY 07-01-2003
 第三角投影
 机密: 本图纸及相关信息所有权归REGAL-BELOIT CORPORATION。未经REGAL-BELOIT CORPORATION书面授权, 不得泄露、复制、传播或作其他用途。—版权所有


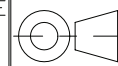


名称: MODEL-RFHP-42FR OUTLINE
 图幅: C 图号: 11899-004
 比例: NONE 页号: 1

QUALITY CONTROL NOTE:
TO CHECK THE WDGS. FOR OPENS,
VERIFY THE CONTINUITY BETWEEN
THE TWO CAPACITOR LEADS



A	06/23/03	REDRAWN TO CAD	-	KAG	0343652
	DATE	CHANGED FROM	ENG	DRF	NOTICE
			APPROVED		

GEOMETRIC CHARACTERISTICS & SYMBOLS □ FLATNESS — STRAIGHTNESS < ANGULARITY ⊥ PERPENDICULARITY (SQUARENESS) // PARALLELISM ○ ROUNDNESS (CIRCULARITY) ⌀ CYLINDRICITY △ PROFILE OF ANY SURFACE ◌ PROFILE OF ANY LINE ↗ RUNOUT ⊕ TRUE POSITION ◎ CONCENTRICITY = SYMMETRY	UNLESS OTHERWISE SPECIFIED DIMENSION TOLERANCES ARE AS FOLLOWS .X .XX .XXX INCHES ±.02 ±.005 METRIC ±.5 ±.13 ANGLES ±.50 DEG REMOVE BURRS AND BREAK SHARP EDGES .003-.015. CORNER FILLETS TO .020 MACHINE SURFACES 125✓	MATERIAL -	DRAWN KLINE 07/02/75 APPROVED CORBIN 0/05/75	A.O. SMITH A DIVISION OF A.O. SMITH CORPORATION ELECTRICAL PRODUCTS COMPANY TIPP CITY, OHIO  COPYRIGHT 1995
	CONFIDENTIAL: THIS DRAWING AND ITS INFORMATION ARE THE EXCLUSIVE AND CONFIDENTIAL PROPERTY OF A.O. SMITH CORP. AND ARE NOT TO BE DISCLOSED, DUPLICATED, DISTRIBUTED OR OTHERWISE USED WITHOUT THE WRITTEN CONSENT OF A.O. SMITH CORP. - ALL RIGHTS RESERVED	PROCESS -	REFERENCE -	DESCRIPTION CONN. DIAG.
	APPLICATION -	USER/F I ER42 / CONEXT	SIZE A 	PART NUMBER 2494A79
	SCALE -	NOTICE -	SHEET -	