

PRODUCT INFORMATION PACKET



Model No: OCP1024

Catalog No: OCP1024

OEM Replacement Motor, 1/4 HP, 1 Ph, 60 Hz, 208-230 V, 1625 RPM, 1 Speed, 48 Frame, OAO



Regal and Century are trademarks of Regal Rexnord Corporation or one of its affiliated companies.
©2022 Regal Rexnord Corporation, All Rights Reserved. MC017097E





Nameplate Specifications

Output HP	1/4 Hp	Output KW	0.19 kW
Frequency	60 Hz	Voltage	208-230 V
Current	1.5 A	Speed	1625 rpm
Service Factor	1	Phase	1
Duty	Air Over	Insulation Class	B
Frame	48Y	Enclosure	Open Air Over
Thermal Protection	Automatic	Ambient Temperature	60 °C
UL	Recognized	CSA	Y
CE	N	Number of Speeds	1

Technical Specifications

Electrical Type	Permanent Split Capacitor	Starting Method	Across The Line
Poles	4	Rotation	Clockwise Lead End
Mounting	Round Belly Band	Motor Orientation	Horizontal
Drive End Bearing	Sleeve	Opp Drive End Bearing	Sleeve
Frame Material	Rolled Steel	Shaft Type	Double Flat
Overall Length	7.61 in	Frame Length	4.00 in
Shaft Diameter	0.500 in	Shaft Extension	3.0 in
Connection Drawing	614131-120	Outline Drawing	OCP1024-S01

This is an uncontrolled document once printed or downloaded and is subject to change without notice. Date Created:11/28/2022

GENERAL INFORMATION:

SHAFT RUNOUT: .001 [.03] T.I.R. PER INCH [25.4] LENGTH OF EXTENSION

END PLAY: .010 [.25] TO .063 [1.60]

BEARINGS: SLEEVE

MOUNTING POSITION: HORIZONTAL

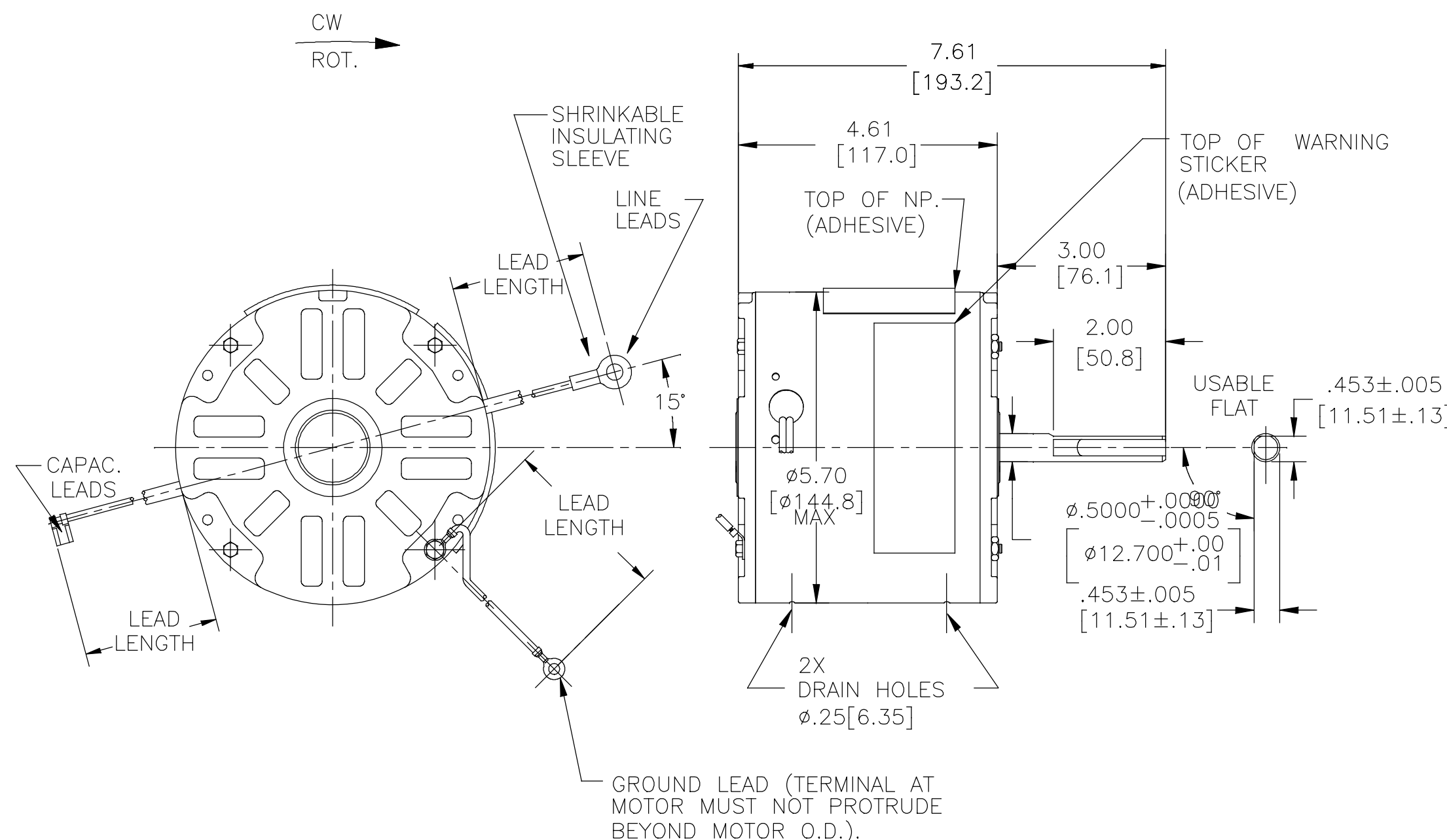
ELECTRICAL DATA:

OVERLOAD PROTECTOR: AUTOMATIC RESET (SENSATA 7AM 036)

LEADS: NO. 16 GA., .03 [.8] XLP., 125°C INSUL.

CAPACITOR LEADS: NO. 16 GA., .06 [1.5] EPDM., 125°C INSUL.

GROUND LEAD: NO. 16 GA., .03 [.8] THK., GREEN INSUL.



NOTE:
1. DISTRIBUTION CUST P/N: OCP1024
GRAINGER CUST P/N: 4UY62

REGAL-BELOIT CORPORATION (RBC) PROVIDES TECHNICAL ASSISTANCE TO OUR CUSTOMERS IN SEVERAL AREAS. SINCE RBC DOES NOT RECEIVE ALL DATA CONCERNING THE USE AND APPLICATION OF THE MOTOR, THE SUITABILITY OF THE MOTOR FOR THE APPLICATION MUST BE DETERMINED BY THE CUSTOMER.

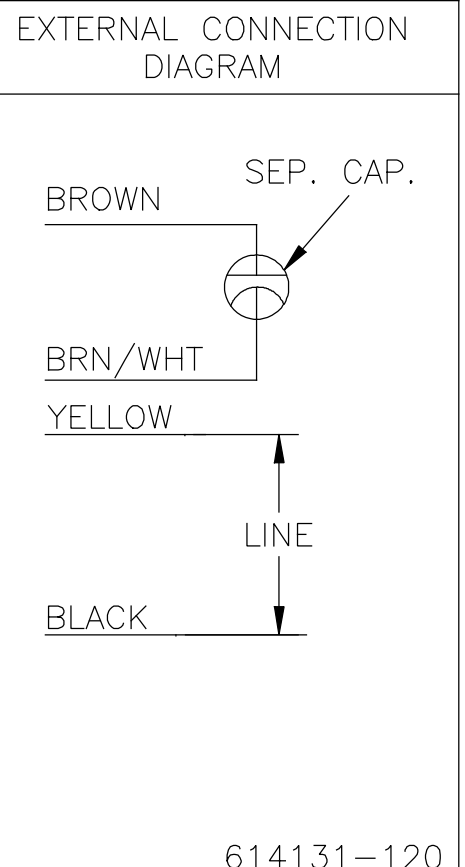
DIMENSIONS WITHOUT TOLERANCES ARE FOR REFERENCE ONLY.

MAIN FRAME - OLE	ENCLOSED
END FRAME - OLE	OPEN
MAIN FRAME - LE	ENCLOSED
END FRAME - LE	OPEN

CUSTOMER DISTRIBUTION SERVICES

NAMEPLATE DATA:

MODEL NO.: F48SJ4L7
CUST. P/N: []
HP: 1/4
ROT.: CWLE
RPM: 1625
TYPE: UF
FRAME: 48Y
VOLTS: 208-230
PH: 1
AMPS: 1.5 (2.4 MAX.)
HZ: 60
INS.: B
AMB.: 60°C
DUTY: AIR OVER
CAP: 5 MFD/370V
ENCL: SEMI-ENCL.
CSA LOGO
UL LOGO
THERMALLY PROTECTED



GREEN (GND)	12.0/13.0 [305/330]	#10 SERRATED
BROWN/WHITE	5.0/7.0 [127/178]	.25 [6.4] FLAG
BROWN	5.0/7.0 [127/178]	.25 [6.4] FLAG
BLACK	35.5/38.5 [902/978]	#10 RING
YELLOW	35.5/38.5 [902/978]	#10 RING
COLOR	LENGTH	TERMINAL OR STRIP LENGTH

PERFORMANCE CURVE NO.	TORQUE @ 1625 RPM (25°C)	APPROVED SAMPLE	UL COMPONENT FILE #	CCN #	CSA FILE #	CLASS #
C23881	16.0 OZ. FT.	EX11915-1	E46412	PRGY2	LR43341	4211-01

DRAWING REVISION

D	REVISION BY J. RUPERT	DATE 02-12-2019
ECO	APPROVED BY J. RUPERT	DATE 02-12-2019

ECO-0161700
NEW CATALOG NUMBER

COPYRIGHT REGAL-BELOIT CORPORATION, INC. ALL RIGHTS RESERVED. PROPRIETARY AND CONFIDENTIAL INFORMATION - THIS DOCUMENT IS THE PROPERTY OF REGAL-BELOIT CORPORATION, INC. (OWNER) AND CONTAINS OWNER'S PROPRIETARY INFORMATION. ANY PERSON, CORPORATION OR OTHER FIRM RECEIVING IT IS DEEMED, BY RECEIVING IT, TO AGREE THAT IT, AND/OR ANY PART OF IT, SHALL NOT BE DISCLOSED TO ANY PERSON, CORPORATION OR OTHER ENTITY, DUPLICATED, AND/OR USED, EXCEPT AS EXPRESSLY APPROVED IN WRITING IN ADVANCE BY OWNER. THIS DOCUMENT SHALL BE RETURNED TO OWNER UPON REQUEST. IT MAY BE SUBJECT TO CERTAIN RESTRICTIONS UNDER APPLICABLE EXPORT CONTROL LAWS AND REGULATIONS.

DRAWN BY: AS
DATE: 02-14-2011

APPROVED BY: BS
DATE: 02-14-2011

REFERENCE: -

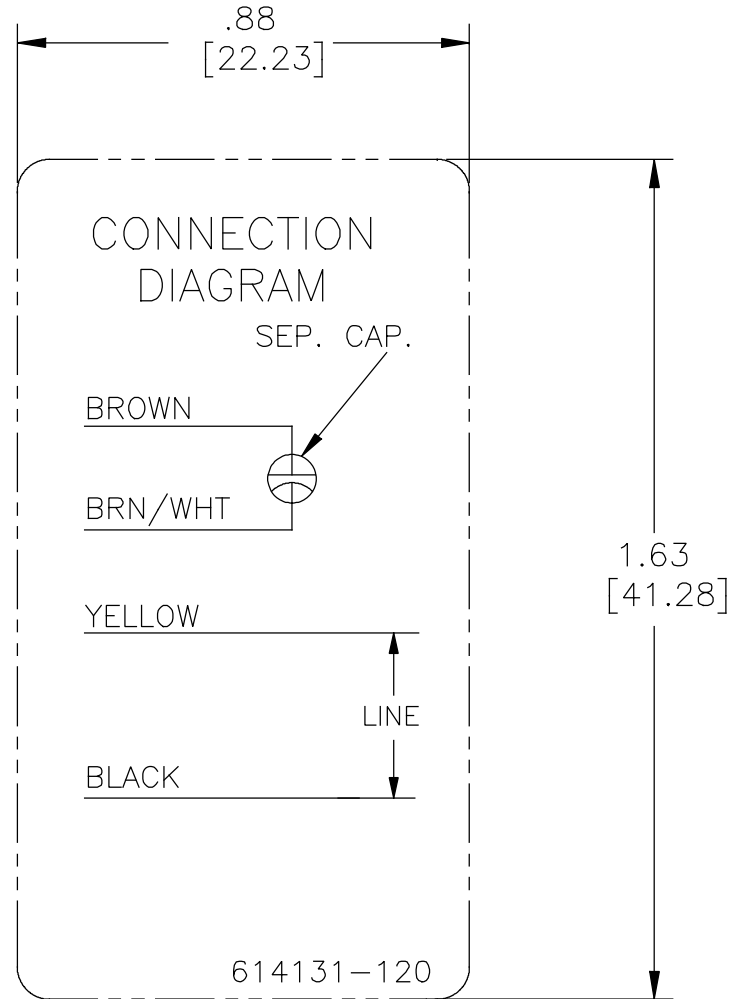
THIRD ANGLE PROJECTION

REGAL™ Regal Beloit America, Inc.

DESCRIPTION: MODEL-RFHP-48FR OUTLINE


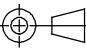
MATERIAL: - **PROCESS/FINISH:** -

SIZE DWG NO: C OCP1024 **SHEET:** 1



NOTES:

1. FOR USE WITH 614129 NAMEPLATE BLANK
2. — — — — — INDICATES DIMENSION LIMITS
3. DIE TO BE MADE FROM MASTER SUPPLIED BY REGAL BELOIT CORPORATION
4. DIE MUST PRODUCE A LEGIBLE IMPRESSION.

DRAWING REVISION B	REVISION BY CADDIE.ZHOU	DATE 02-12-2018	TOLERANCES UNLESS OTHERWISE SPECIFIED			DRAWN BY: S.RECKERS	 Regal Beloit America, Inc.		
ECO ECO-0139587	APPROVED BY DEXIAN.LI	DATE 02-12-2018	DEC.	INCH	mm	ANGLE			DATE: 03-26-2002
ECO DESCRIPTION CREATE SINGLE DRAWING FROM 614131 SHT #12			.X	±0.1	[±2.5]	±0.5°	APPROVED BY: J.ONEILL	DESCRIPTION CONN DIAGRAM-NAMEPLATE	
COPYRIGHT REGAL BELOIT AMERICA, INC. ALL RIGHTS RESERVED. PROPRIETARY AND CONFIDENTIAL INFORMATION - THIS DOCUMENT IS THE PROPERTY OF REGAL BELOIT AMERICA, INC. ("OWNER") AND CONTAINS OWNER'S PROPRIETARY INFORMATION. ANY PERSON, CORPORATION OR OTHER FIRM RECEIVING IT IS DEEMED, BY RECEIVING IT, TO AGREE THAT IT, AND/OR ANY PART OF IT, SHALL NOT BE DISCLOSED TO ANY PERSON, CORPORATION OR OTHER ENTITY, DUPLICATED, AND/OR USED, EXCEPT AS EXPRESSLY APPROVED IN WRITING IN ADVANCE BY OWNER. THIS DOCUMENT SHALL BE RETURNED TO OWNER UPON REQUEST. IT MAY BE SUBJECT TO CERTAIN RESTRICTIONS UNDER APPLICABLE EXPORT CONTROL LAWS AND REGULATIONS.			.XX	±0.02	[±0.51]		DATE: 06-26-2002	MATERIAL	
			.XXX	±0.005	[±0.127]		REFERENCE 614131 SHT #12	PROCESS/FINISH	
			.XXXX	±0.0005	[±0.0127]		THIRD ANGLE PROJECTION	 SIZE DWG NO A 614131-120	SHEET 1
			REMOVE BURRS & BREAK SHARP EDGES .003/.015 [.076/.381] CORNER FILLETS .02 [.51] MACHINED SURFACES INCH ¹²⁵ / mm ^{3.2} / mm SHOWN IN [BRACKETS]						