

# PRODUCT INFORMATION PACKET



Model No: OEK4509  
Catalog No: OEK4509  
1/3 HP OEM Replacement Motor, 1400/1200 RPM, 2 Speed, 208-230 Volts, 42 Frame, OAO  
OEM Replacement Motors



Regal and Century are trademarks of Regal Rexnord Corporation or one of its affiliated companies.  
©2021 Regal Rexnord Corporation, All Rights Reserved. MC017097E





**Nameplate Specifications**

Output HP	1/3 Hp	Output KW	0.25 kW
Frequency	60 Hz	Voltage	208-230 V
Current	2.4 A	Speed	1400/1200 rpm
Service Factor	1	Phase	1
Duty	Air Over	Insulation Class	B
Frame	42Y	Enclosure	Open Enclosed
Thermal Protection	Automatic	Ambient Temperature	40 °C
UL	No	CSA	Y
CE	N	Number of Speeds	2

**Technical Specifications**

Electrical Type	Permanent Split Capacitor	Starting Method	Across The Line
Poles	4	Rotation	Clockwise Lead End
Mounting	Resilient Rings	Motor Orientation	Horizontal
Drive End Bearing	Sleeve	Opp Drive End Bearing	Sleeve
Frame Material	Na	Shaft Type	Flat
Overall Length	10.00 in	Shaft Diameter	0.500 in
Shaft Extension	5.5 in		
Connection Drawing	7555A73F01	Outline Drawing	11902-001

This is an uncontrolled document once printed or downloaded and is subject to change without notice. Date Created:10/12/2021

4 3 2 1

REV	ECO	REV BY	DATE	APPD	DATE
D	0026391	H.REN	05-28-2012	B.SHEN	05-28-2012

GENERAL INFORMATION:

SHAFT RUNOUT: .001[.03] T.I.R. PER INCH LENGTH OF EXTENSION

END PLAY: .010[.25] TO .063[1.60]

BEARINGS: SLEEVE

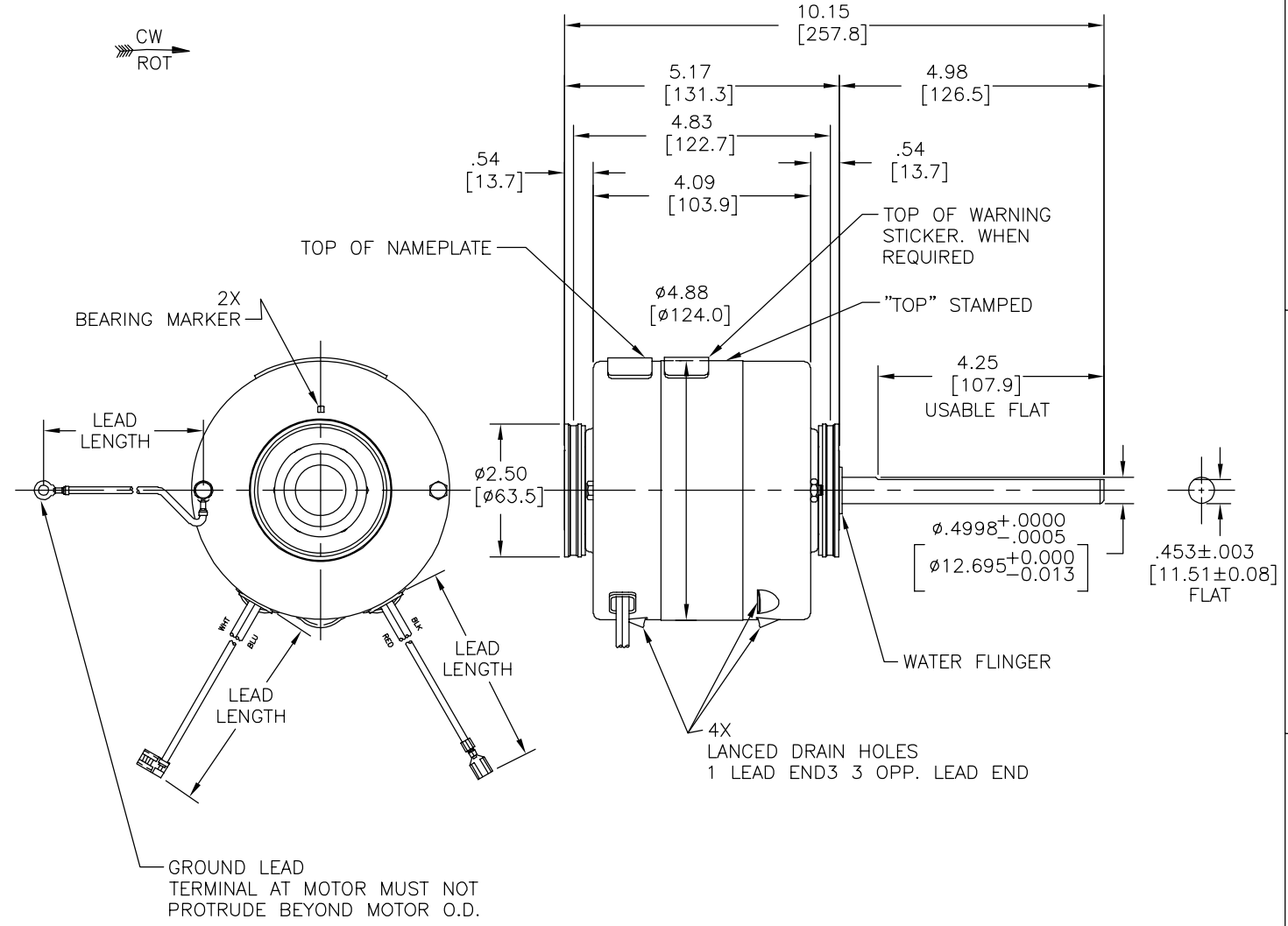
MOUNTING POSITION: HORIZONTAL

ELECTRICAL DATA:

OVERLOAD PROTECTOR: AUTOMATIC RESET (T.I. 7AM 304)

LEADS: NO. 18 AWG., .06[1.5] THK., 125°C INSULATION

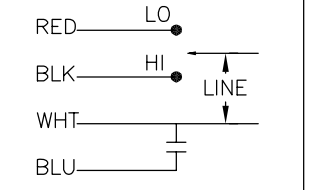
GROUND LEAD: NO. 18 AWG. .03[.8] THK., GREEN INSULATION



NAMEPLATE DATA:

EXTERNAL CONNECTION DIAGRAM

MODEL NO.: STOCK  
 CUST. P/N: STOCK  
 HP: 1/3  
 ROT.: CWLE  
 RPM: 1400/1200  
 TYPE: FLL  
 FRAME: 42Y  
 VOLTS: 208-230  
 PH: 1  
 AMPS: 2.4  
 HZ: 60  
 INS.: B\*  
 AMB.: 40° C  
 DUTY: AIR COVER  
 CAP.: 6 MFD/ 370V  
 ENCL: -  
 UL LOGO  
 CSA LOGO  
 THERMALLY PROTECTED



GREEN (GRD)	5.5/6.5 [140/165]	#10 EYELET
RED	34.5/37.5 [876/953]	.25[6.4] FEMALE SPADE
BLACK	34.5/37.5 [876/953]	.25[6.4] FEMALE SPADE
BLUE	34.5/37.5 [876/953]	.25[6.4] FLAG
WHITE	34.5/37.5 [876/953]	.25[6.4] FLAG
COLOR	LENGTH	TERMINAL OR STRIP LENGTH

MAIN FRAME - OLE	ENCLOSED
END FRAME - OLE	OPEN
MAIN FRAME - LE	ENCLOSED
END FRAME - LE	ENCLOSED

CUSTOMER	STOCK
----------	-------

PERFORMANCE CURVE NO.	TORQUE @ 1400 RPM (25°C)	APPROVED SAMPLE	UL COMPONENT	CSA
-	OZ. FT.	-	FILE # CCN # FILE # CLASS #	
			E46412 PRGY2 LR43341 4211-01	

GEOMETRIC CHARACTERISTICS & SYMBOLS

- FLATNESS
- STRAIGHTNESS
- ANGULARITY
- PERPENDICULARITY (SQUARENESS)
- PARALLELISM
- ROUNDNESS (CIRCULARITY)
- CYLINDRICITY
- PROFILE OF ANY SURFACE
- PROFILE OF ANY LINE
- RUNDOUT
- TRUE POSITION
- CONCENTRICITY
- SYMMETRY

ASME Y14.5M 1994

REGAL-BELOIT CORPORATION (RBC) PROVIDES TECHNICAL ASSISTANCE TO OUR CUSTOMERS IN SEVERAL AREAS. SINCE RBC DOES NOT RECEIVE ALL DATA CONCERNING THE USE AND APPLICATION OF THE MOTOR, THE SUITABILITY OF THE MOTOR FOR THE APPLICATION MUST BE DETERMINED BY THE CUSTOMER.

DIMENSIONS WITHOUT TOLERANCES ARE FOR REFERENCE ONLY.

DR BY: HEATH 02-12-1992

APPD:

EDS DATE 11-11-2011  
 FORMAT REV H

THIRD ANGLE PROJECTION

CONFIDENTIAL: THIS DRAWING AND ITS INFORMATION ARE THE EXCLUSIVE AND CONFIDENTIAL PROPERTY OF REGAL-BELOIT CORPORATION AND ARE NOT TO BE DISCLOSED, DUPLICATED, DISTRIBUTED OR OTHERWISE USED WITHOUT THE WRITTEN CONSENT OF REGAL-BELOIT CORPORATION. -ALL RIGHTS RESERVED.

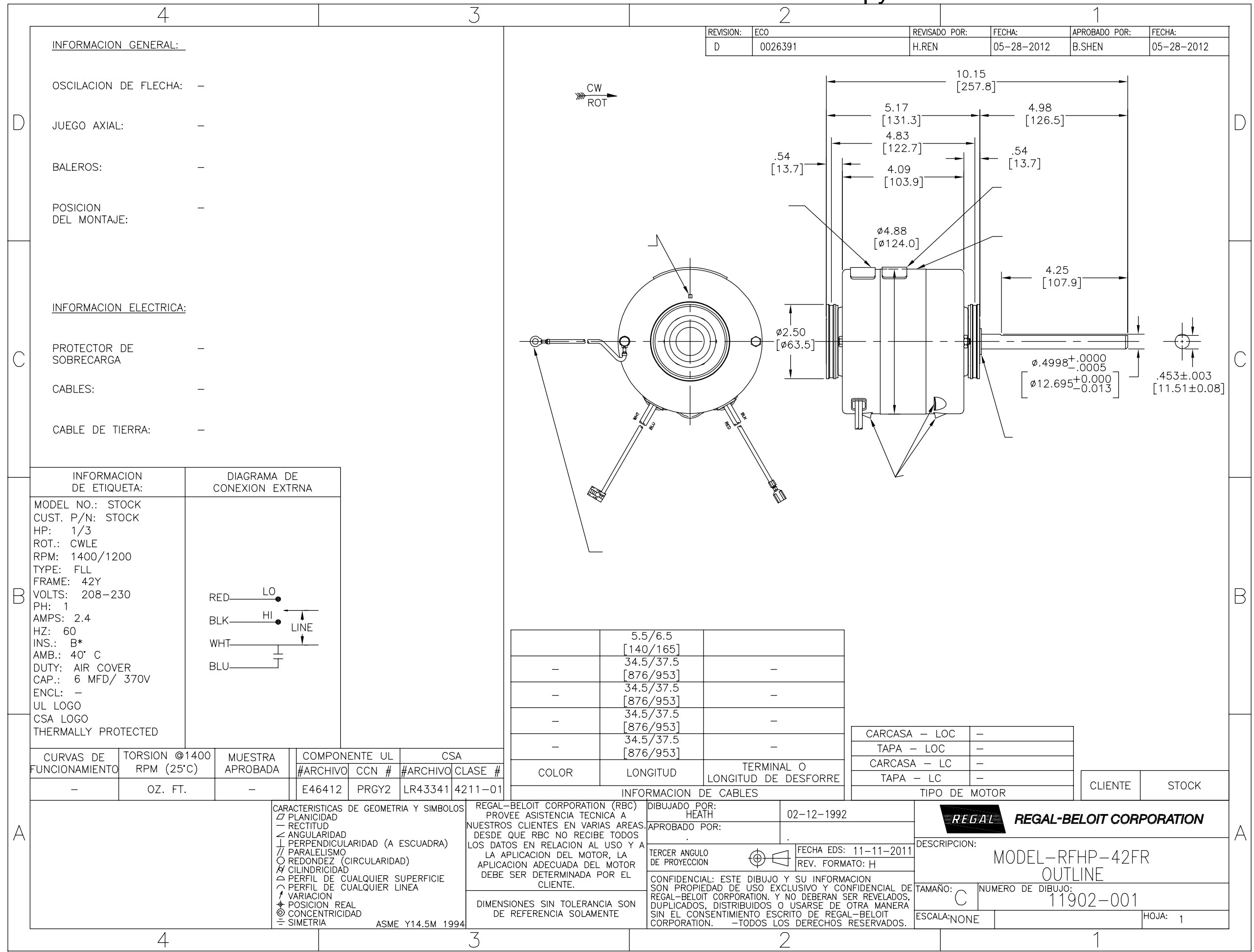
**REGAL REGAL-BELOIT CORPORATION**

DESCRIPTION: MODEL-RFHP-42FR OUTLINE

SIZE C DWG NO 11902-001

SCALE NONE SHEET 1

4 3 2 1



REVISION:	ECO	REVISADO POR:	FECHA:	APROBADO POR:	FECHA:
D	0026391	H.REN	05-28-2012	B.SHEN	05-28-2012

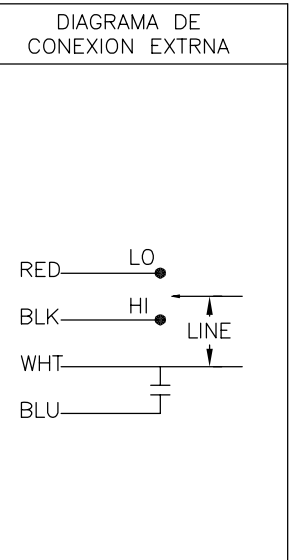
INFORMACION GENERAL:

OSCILACION DE FLECHA: -  
 JUEGO AXIAL: -  
 BALEROS: -  
 POSICION DEL MONTAJE: -

INFORMACION ELECTRICA:

PROTECTOR DE SOBRECARGA: -  
 CABLES: -  
 CABLE DE TIERRA: -

INFORMACION DE ETIQUETA:  
 MODEL NO.: STOCK  
 CUST. P/N: STOCK  
 HP: 1/3  
 ROT.: CWLE  
 RPM: 1400/1200  
 TYPE: FLL  
 FRAME: 42Y  
 VOLTS: 208-230  
 PH: 1  
 AMPS: 2.4  
 HZ: 60  
 INS.: B\*  
 AMB.: 40° C  
 DUTY: AIR COVER  
 CAP.: 6 MFD/ 370V  
 ENCL: -  
 UL LOGO  
 CSA LOGO  
 THERMALLY PROTECTED



	5.5/6.5	
	[140/165]	
-	34.5/37.5	-
	[876/953]	
-	34.5/37.5	-
	[876/953]	
-	34.5/37.5	-
	[876/953]	
-	34.5/37.5	-
	[876/953]	

CARCASA - LOC	-
TAPA - LOC	-
CARCASA - LC	-
TAPA - LC	-

COLOR	LONGITUD	TERMINAL O LONGITUD DE DESFORRE	TIPO DE MOTOR	CLIENTE	STOCK

CURVAS DE FUNCIONAMIENTO	TORSION @1400 RPM (25°C)	MUESTRA APROBADA	COMPONENTE UL	CSA
-	OZ. FT.	-	#ARCHIVO PRGY2	CLASE #
			E46412	LR43341 4211-01

CARACTERISTICAS DE GEOMETRIA Y SIMBOLOS

- ✓ PLANICIDAD
- RECTITUD
- ∠ ANGULARIDAD
- ⊥ PERPENDICULARIDAD (A ESCUADRA)
- // PARALELISMO
- REDONDEZ (CIRCULARIDAD)
- ∅ CILINDRICIDAD
- △ PERFIL DE CUALQUIER SUPERFICIE
- ∩ PERFIL DE CUALQUIER LINEA
- ∧ VARIACION
- ⊕ POSICION REAL
- ◎ CONCENTRICIDAD
- = SIMETRIA

ASME Y14.5M 1994

REGAL-BELOIT CORPORATION (RBC) PROVEE ASISTENCIA TECNICA A NUESTROS CLIENTES EN VARIAS AREAS. DESDE QUE RBC NO RECIBE TODOS LOS DATOS EN RELACION AL USO Y A LA APLICACION DEL MOTOR, LA APLICACION ADECUADA DEL MOTOR DEBE SER DETERMINADA POR EL CLIENTE.

DIMENSIONES SIN TOLERANCIA SON DE REFERENCIA SOLAMENTE

DIBUJADO POR: HEATH  
 02-12-1992  
 APROBADO POR:  
 TERCER ANGULO DE PROYECCION  
 FECHA EDS: 11-11-2011  
 REV. FORMATO: H

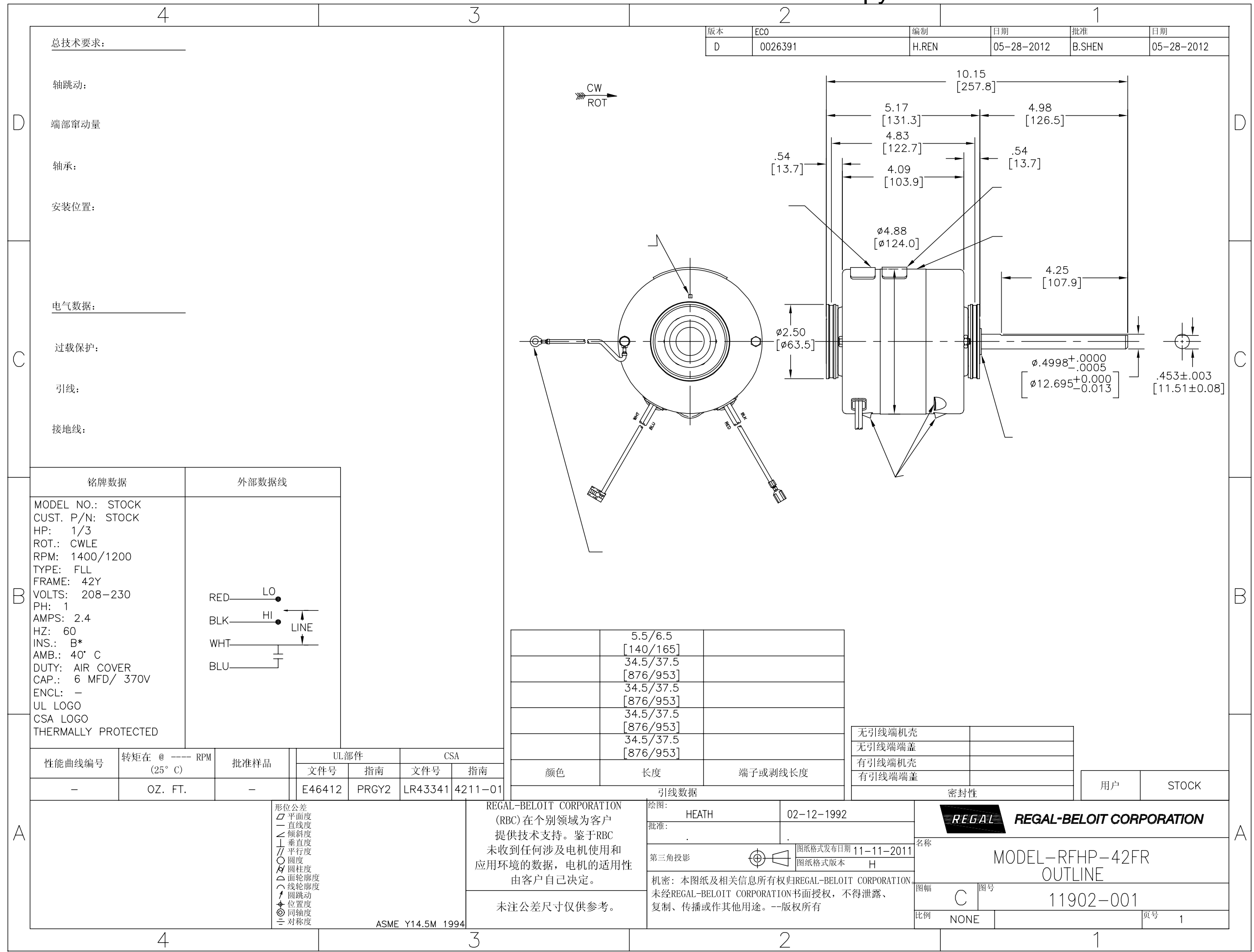
CONFIDENCIAL: ESTE DIBUJO Y SU INFORMACION SON PROPIEDAD DE USO EXCLUSIVO Y CONFIDENCIAL DE REGAL-BELOIT CORPORATION. Y NO DEBERAN SER REVELADOS, DUPLICADOS, DISTRIBUIDOS O USARSE DE OTRA MANERA SIN EL CONSENTIMIENTO ESCRITO DE REGAL-BELOIT CORPORATION. -TODOS LOS DERECHOS RESERVADOS.

**REGAL REGAL-BELOIT CORPORATION**

DESCRIPCION: MODEL-RFHP-42FR OUTLINE

TAMAÑO: C NUMERO DE DIBUJO: 11902-001

ESCALA: NONE HOJA: 1



版本	ECO	编制	日期	批准	日期
D	0026391	H.REN	05-28-2012	B.SHEN	05-28-2012

总技术要求:  
轴跳动:  
端部窜动量  
轴承:  
安装位置:  
电气数据:  
过载保护:  
引线:  
接地线:

铭牌数据	外部数据线
MODEL NO.: STOCK CUST. P/N: STOCK HP: 1/3 ROT.: CWLE RPM: 1400/1200 TYPE: FLL FRAME: 42Y VOLTS: 208-230 PH: 1 AMPS: 2.4 HZ: 60 INS.: B* AMB.: 40° C DUTY: AIR COVER CAP.: 6 MFD/ 370V ENCL: - UL LOGO CSA LOGO THERMALLY PROTECTED	

	5.5/6.5	
	[140/165]	
	34.5/37.5	
	[876/953]	
	34.5/37.5	
	[876/953]	
	34.5/37.5	
	[876/953]	
	34.5/37.5	
	[876/953]	

无引线端机壳	
无引线端端盖	
有引线端机壳	
有引线端端盖	

性能曲线编号	转矩在 @ --- RPM (25° C)	批准样品	UL部件		CSA	
			文件号	指南	文件号	指南
-	OZ. FT.	-	E46412	PRGY2	LR43341	4211-01

颜色	长度	端子或剥线长度
----	----	---------

REGAL-BELOIT CORPORATION (RBC) 在个别领域为客户提供技术支持。鉴于RBC未收到任何涉及电机使用和应用环境的数据，电机的适用性由客户自己决定。

未注公差尺寸仅供参考。

绘图: HEATH 02-12-1992  
批准:  
图密格式发布日期 11-11-2011  
图密格式版本 H

名称: MODEL-RFHP-42FR OUTLINE  
图幅: C 图号: 11902-001  
比例: NONE 页号: 1

- 形位公差
- 平面度
- 直线度
- 倾斜度
- 垂直度
- 平行度
- 圆度
- 圆柱度
- 面轮廓度
- 线轮廓度
- 圆跳动
- 位置度
- 同轴度
- 对称度

ASME Y14.5M 1994