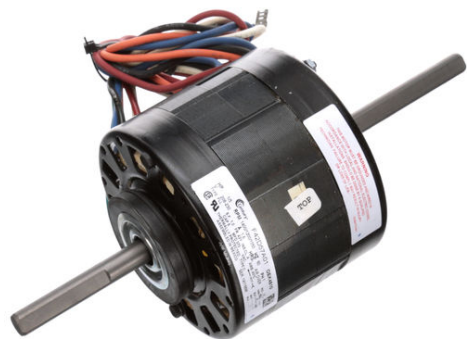


PRODUCT INFORMATION PACKET



Model No: OEK4510
Catalog No: OEK4510
1/5 HP OEM Replacement Motor, 1400/1200/1050 RPM, 3 Speed, 208-230 Volts, 42 Frame, Semi Enclosed
OEM Replacement Motors



Regal and Century are trademarks of Regal Rexnord Corporation or one of its affiliated companies.
©2021 Regal Rexnord Corporation, All Rights Reserved. MC017097E





Nameplate Specifications

Output HP	1/5 Hp	Output KW	0.15 kW
Frequency	60 Hz	Voltage	208-230 V
Current	1.6 A	Speed	1400/1200/1050 rpm
Service Factor	1	Phase	1
Duty	Air Over	Insulation Class	A
Frame	42Y	Enclosure	Semi Enclosed
Thermal Protection	Automatic	Ambient Temperature	40 °C
UL	Recognized	CSA	Y
CE	N	Number of Speeds	3

Technical Specifications

Electrical Type	Permanent Split Capacitor	Starting Method	Across The Line
Poles	4	Rotation	Counterclockwise Lead End
Mounting	Resilient Rings	Motor Orientation	Horizontal
Drive End Bearing	Sleeve	Opp Drive End Bearing	Sleeve
Frame Material	Na	Shaft Type	Flat
Overall Length	15.00 in	Shaft Diameter	0.500 in
Shaft Extension	3.5 X .5 X 4.1 in		
Outline Drawing	11678-007	Connection Drawing	2483A64F01

This is an uncontrolled document once printed or downloaded and is subject to change without notice. Date Created:10/07/2021

REV	ECO	REV BY	DATE	APPD	DATE
D	0026378	J.M.RAMIREZ	05-28-2012	R.RASCON	05-28-2012

GENERAL INFORMATION:

SHAFT RUNOUT: .001[.03] T.I.R. PER INCH LENGTH OF EXTENSION.

END PLAY: .010[.25] TO .063[1.60]

BEARINGS: SLEEVE

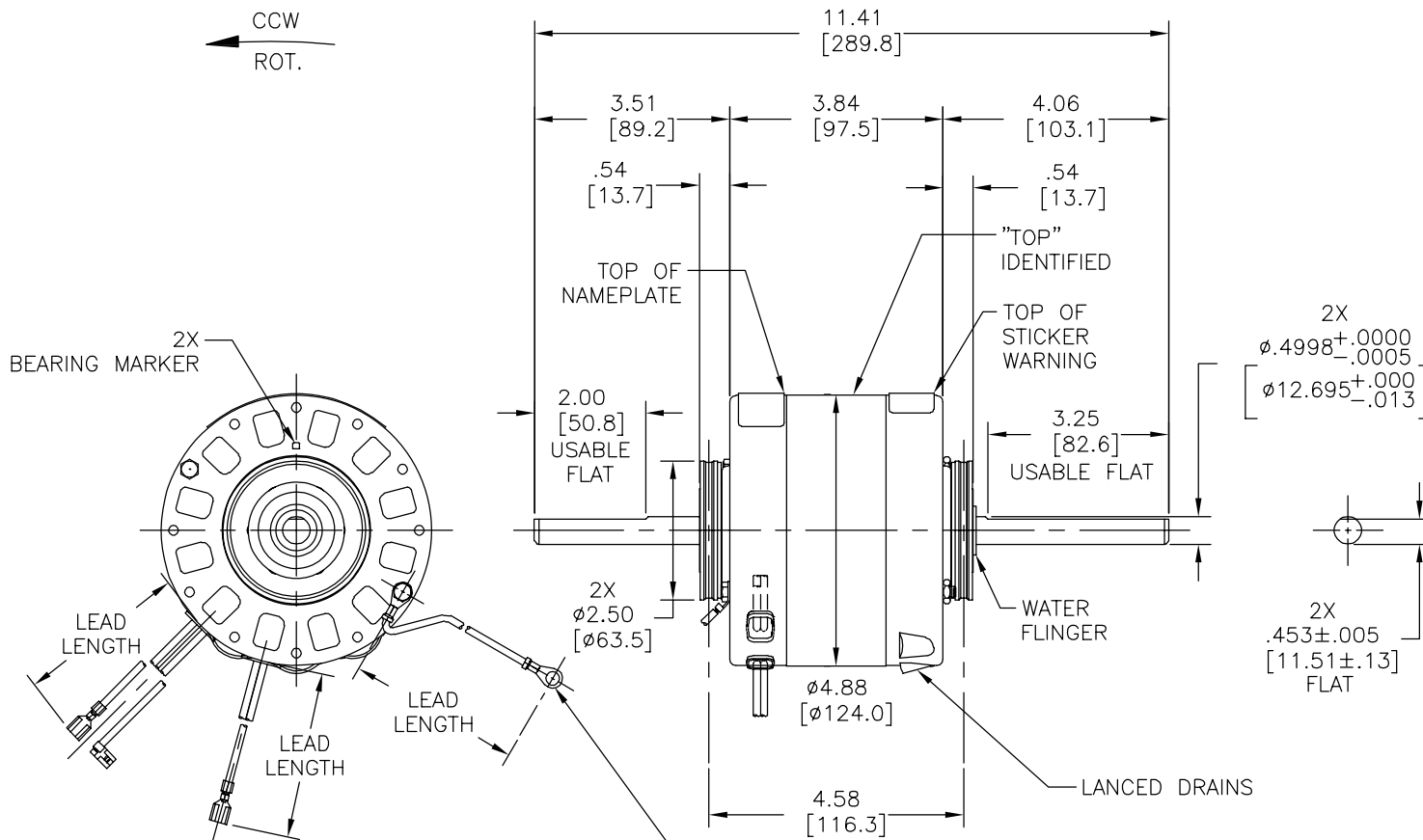
MOUNTING POSITION: HORIZONTAL

ELECTRICAL DATA:

OVERLOAD PROTECTOR: AUTOMATIC RESET (T.I. 7AM 034)

LEADS: NO.18 GA. .06[1.5] THK, 125°C INSUL.

GROUND LEAD: NO.18 GA. .03[.8] THK, GREEN INSUL.



NAMEPLATE DATA:	EXTERNAL CONNECTION DIAGRAM
MODEL NO.: F42D57A01 CUST. P/N: OEK4510 HP: 1/5 ROT.: CCWLE RPM: 1400/1200/1050 TYPE: FLL FRAME: 42Y VOLTS: 208-230 PH: 1 AMPS: 1.6 HZ: 60 INS.: A AMB.: 40° C DUTY: AIR COVER CAP.: 5MFD/370 V ENCL: - UL LOGO CSA LOGO THERMALLY PROTECTED TYPE C	

GREEN (GRD)	9.0/10.0 [229/254]	.25[6.4] RING
BLUE	32.0/35.0 [813/889]	.25[6.4] FLAG
RED	32.0/35.0 [813/889]	.25[6.4] FEMALE SPADE
ORANGE	32.0/35.0 [813/889]	.25[6.4] FEMALE SPADE
BLACK	32.0/35.0 [813/889]	.25[6.4] FEMALE SPADE
WHITE	32.0/35.0 [813/889]	.25[6.4] FEMALE SPADE
COLOR	LENGTH	TERMINAL OR STRIP LENGTH

MAIN FRAME - OLE	ENCLOSED
END FRAME - OLE	ENCLOSED
MAIN FRAME - LE	ENCLOSED
END FRAME - LE	OPEN

CUSTOMER	DISTRIBUTION SERVICE
----------	----------------------

PERFORMANCE CURVE NO.	TORQUE @1400 RPM (25°C)	APPROVED SAMPLE	UL COMPONENT FILE #	CCN #	CSA FILE #	CLASS #
C31743	16.1 OZ. FT.	98AC383B	E46412	PRGY2	LR43341	4211-01

GEOMETRIC CHARACTERISTICS & SYMBOLS

- ▮ FLATNESS
- STRAIGHTNESS
- ∠ ANGULARITY
- ⊥ PERPENDICULARITY (SQUARENESS)
- ∥ PARALLELISM
- ROUNDNESS (CIRCULARITY)
- ⊘ CYLINDRICITY
- △ PROFILE OF ANY SURFACE
- ∩ PROFILE OF ANY LINE
- ↗ RUNOUT
- ⊕ TRUE POSITION
- ◎ CONCENTRICITY
- ≡ SYMMETRY

ASME Y14.5M 1994

REGAL-BELOIT CORPORATION (RBC) PROVIDES TECHNICAL ASSISTANCE TO OUR CUSTOMERS IN SEVERAL AREAS. SINCE RBC DOES NOT RECEIVE ALL DATA CONCERNING THE USE AND APPLICATION OF THE MOTOR, THE SUITABILITY OF THE MOTOR FOR THE APPLICATION MUST BE DETERMINED BY THE CUSTOMER.

DIMENSIONS WITHOUT TOLERANCES ARE FOR REFERENCE ONLY.

DR BY: J.RUPERT 11-20-1998

APPD: T.RILEY 11-23-1998

THIRD ANGLE PROJECTION

EDS DATE 11-11-2011
FORMAT REV H

CONFIDENTIAL: THIS DRAWING AND ITS INFORMATION ARE THE EXCLUSIVE AND CONFIDENTIAL PROPERTY OF REGAL-BELOIT CORPORATION AND ARE NOT TO BE DISCLOSED, DUPLICATED, DISTRIBUTED OR OTHERWISE USED WITHOUT THE WRITTEN CONSENT OF REGAL-BELOIT CORPORATION. -ALL RIGHTS RESERVED.

REGAL REGAL-BELOIT CORPORATION

DESCRIPTION: MODEL-RFHP-42FR OUTLINE

SIZE C DWG NO 11678-007

SCALE NONE SHEET 1

4

3

2

1

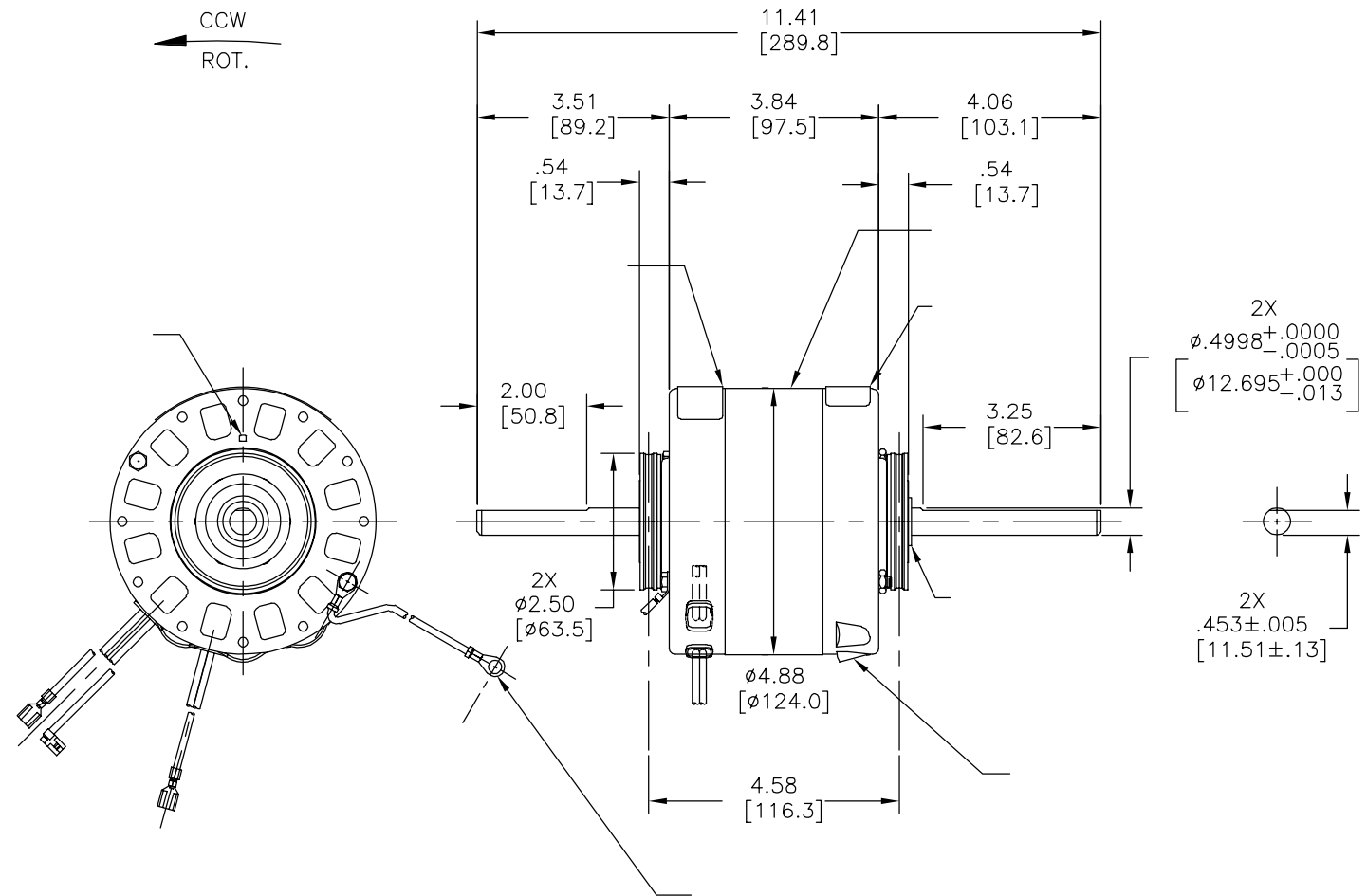
REVISION:	ECO	REVISADO POR:	FECHA:	APROBADO POR:	FECHA:
D	0026378	J.M.RAMIREZ	05-28-2012	R.RASCON	05-28-2012

INFORMACION GENERAL:

OSCILACION DE FLECHA: -
 JUEGO AXIAL: -
 BALEROS: -
 POSICION DEL MONTAJE: -

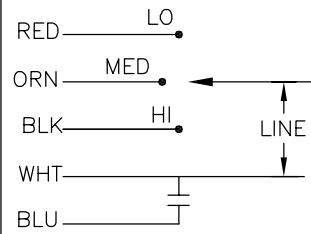
INFORMACION ELECTRICA:

PROTECTOR DE SOBRECARGA: -
 CABLES: -
 CABLE DE TIERRA: -



INFORMACION DE ETIQUETA: DIAGRAMA DE CONEXION EXTRNA

MODEL NO.: F42D57A01
 CUST. P/N: OEK4510
 HP: 1/5
 ROT.: CCWLE
 RPM: 1400/1200/1050
 TYPE: FLL
 FRAME: 42Y
 VOLTS: 208-230
 PH: 1
 AMPS: 1.6
 HZ: 60
 INS.: A
 AMB.: 40° C
 DUTY: AIR COVER
 CAP.: 5MFD/370 V
 ENCL: -
 UL LOGO
 CSA LOGO
 THERMALLY PROTECTED TYPE C



CURVAS DE FUNCIONAMIENTO	TORSION @ 1400 RPM (25°C)	MUESTRA APROBADA	COMPONENTE UL		CSA	
			#ARCHIVO	CCN #	#ARCHIVO	CLASE #
C31743	16.1 OZ. FT.	98AC383B	E46412	PRGY2	LR43341	4211-01

	9.0/10.0	
	[229/254]	
	32.0/35.0	
	[813/889]	
-	32.0/35.0	-
	[813/889]	
-	32.0/35.0	-
	[813/889]	
-	32.0/35.0	-
	[813/889]	
COLOR	LONGITUD	TERMINAL O LONGITUD DE DESFORRE

CARCASA - LOC	-
TAPA - LOC	-
CARCASA - LC	-
TAPA - LC	-

CLIENTE	DISTRIBUTION SERVICE
---------	----------------------

CARACTERISTICAS DE GEOMETRIA Y SIMBOLOS
 ▽ PLANICIDAD
 - RECTITUD
 < ANGULARIDAD
 ⊥ PERPENDICULARIDAD (A ESCUADRA)
 // PARALELISMO
 ○ REDONDEZ (CIRCULARIDAD)
 ∅ CILINDRICIDAD
 △ PERFIL DE CUALQUIER SUPERFICIE
 ▲ PERFIL DE CUALQUIER LINEA
 ↗ VARIACION
 ⊕ POSICION REAL
 ⊙ CONCENTRICIDAD
 = SIMETRIA
 ASME Y14.5M 1994

REGAL-BELOIT CORPORATION (RBC) PROVEE ASISTENCIA TECNICA A NUESTROS CLIENTES EN VARIAS AREAS. DESDE QUE RBC NO RECIBE TODOS LOS DATOS EN RELACION AL USO Y A LA APLICACION DEL MOTOR, LA APLICACION ADECUADA DEL MOTOR DEBE SER DETERMINADA POR EL CLIENTE.
 DIMENSIONES SIN TOLERANCIA SON DE REFERENCIA SOLAMENTE

DIBUJADO POR: J.RUPERT 11-20-1998
 APROBADO POR: T.RILEY 11-23-1998
 TERCER ANGULO DE PROYECCION
 FECHA EDS: 11-11-2011
 REV. FORMATO: H
 CONFIDENCIAL: ESTE DIBUJO Y SU INFORMACION SON PROPIEDAD DE USO EXCLUSIVO Y CONFIDENCIAL DE REGAL-BELOIT CORPORATION. Y NO DEBERAN SER REVELADOS, DUPLICADOS, DISTRIBUIDOS O USARSE DE OTRA MANERA SIN EL CONSENTIMIENTO ESCRITO DE REGAL-BELOIT CORPORATION. -TODOS LOS DERECHOS RESERVADOS.

REGAL REGAL-BELOIT CORPORATION
 DESCRIPCION: MODEL-RFHP-42FR OUTLINE
 TAMAÑO: C NUMERO DE DIBUJO: 11678-007
 ESCALA: NONE HOJA: 1

4

3

2

1

4

3

2

1

总技术要求:

轴跳动:

端部窜动量

轴承:

安装位置:

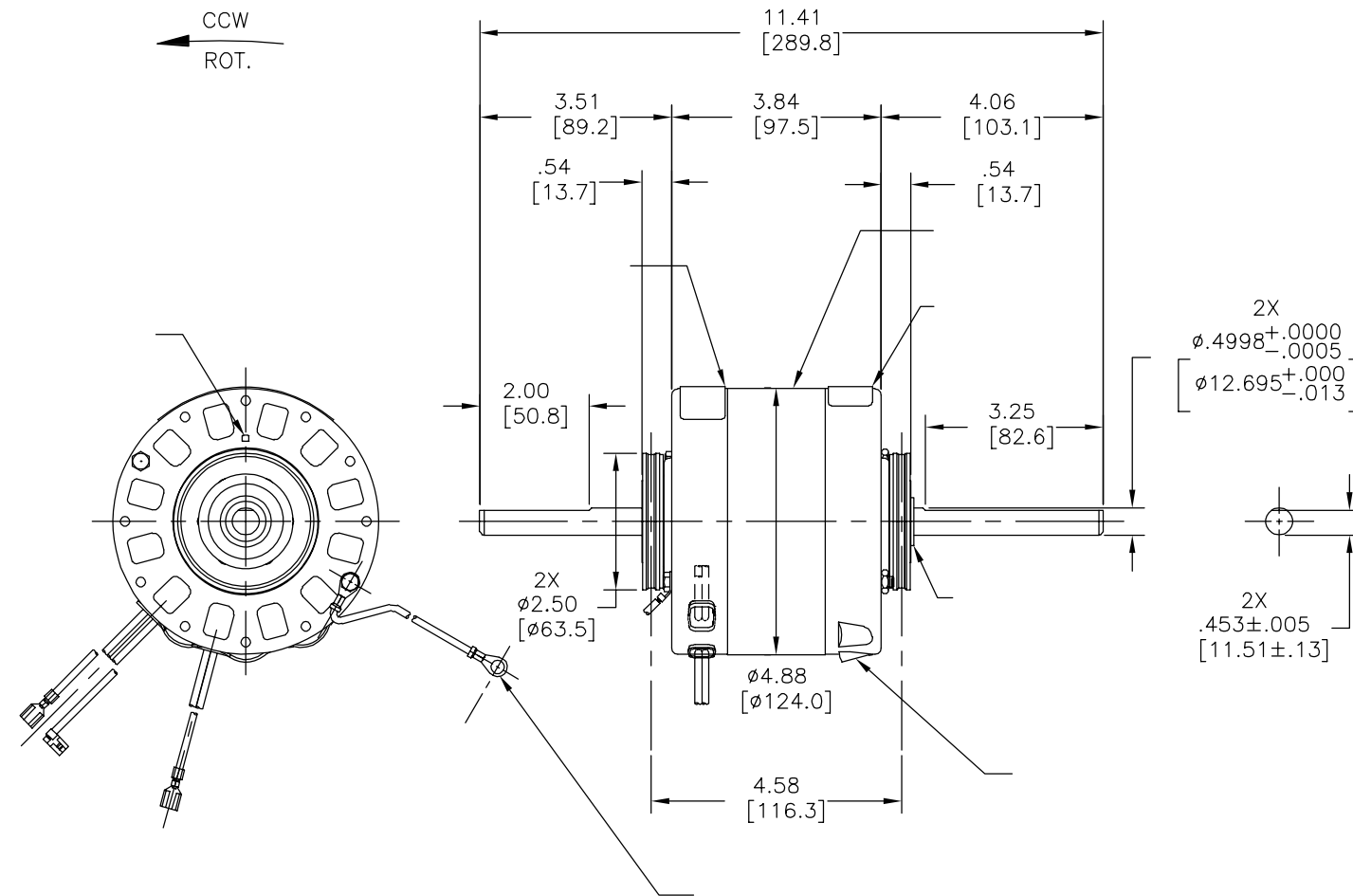
电气数据:

过载保护:

引线:

接地线:

版本	ECO	编制	日期	批准	日期
D	0026378	J.M.RAMIREZ	05-28-2012	R.RASCON	05-28-2012



铭牌数据	外部数据线
MODEL NO.: F42D57A01 CUST. P/N: OEK4510 HP: 1/5 ROT.: CCWLE RPM: 1400/1200/1050 TYPE: FLL FRAME: 42Y VOLTS: 208-230 PH: 1 AMPS: 1.6 HZ: 60 INS.: A AMB.: 40° C DUTY: AIR COVER CAP.: 5MFD/370 V ENCL: - UL LOGO CSA LOGO THERMALLY PROTECTED TYPE C	RED — LO ORN — MED BLK — HI WHT — BLU —

	9.0/10.0	
	[229/254]	
	32.0/35.0	
	[813/889]	
	32.0/35.0	
	[813/889]	
	32.0/35.0	
	[813/889]	
	32.0/35.0	
	[813/889]	
	32.0/35.0	
	[813/889]	

颜色	长度	端子或剥线长度

无引线端机壳	
无引线端端盖	
有引线端机壳	
有引线端端盖	

用户	DISTRIBUTION SERVICE
----	----------------------

性能曲线编号	扭矩在 @ 1400 RPM (25° C)	批准样品	UL部件	CSA
C31743	16.1 OZ. FT.	98AC383B	文件号 指南	文件号 指南
			E46412 PRGY2	LR43341 4211-01

- 形位公差
- 平面度
- 直线度
- ∠ 倾斜度
- ⊥ 垂直度
- // 平行度
- 圆度
- ⊘ 圆柱度
- △ 面轮廓度
- ∩ 线轮廓度
- ∩ 圆跳动
- ⊕ 位置度
- ⊙ 同轴度
- ≡ 对称度

ASME Y14.5M 1994

REGAL-BELOIT CORPORATION (RBC) 在个别领域为客户提供技术支持。鉴于RBC未收到任何涉及电机使用和应用环境的数据，电机的适用性由客户自己决定。

未注公差尺寸仅供参考。

绘图:	J.RUPERT	11-20-1998
批准:	T.RILEY	11-23-1998
第三角投影		图纸格式发布日期 11-11-2011 图纸格式版本 H
机密: 本图纸及相关信息所有权归REGAL-BELOIT CORPORATION。未经REGAL-BELOIT CORPORATION书面授权, 不得泄露、复制、传播或作其他用途。一版权所有		

		REGAL-BELOIT CORPORATION	
名称			
MODEL-RFHP-42FR		OUTLINE	
图幅	C	图号	11678-007
比例	NONE	页号	1

4

3

2

1