

PRODUCT INFORMATION PACKET



Model No: OFE1016

Catalog No: OFE1016

OEM Replacement Motor, 1/5 HP, 1 Ph, 60 Hz, 230 V, 1080 RPM, 1 Speed, 48 Frame, TEAO



Regal and Century are trademarks of Regal Rexnord Corporation or one of its affiliated companies.
©2025 Regal Rexnord Corporation, All Rights Reserved. MC017097E





Nameplate Specifications

Phase	1	Output HP	1/5 Hp
Output KW	0.15 kW	Voltage	230 V
Speed	1080 rpm	Service Factor	1.0
Frame	48Y	Enclosure	Totally Enclosed Air Over
Thermal Protection	Automatic	Ambient Temperature	60 °C
Frequency	60 Hz	Current	1.3 A
Duty	Air Over	Insulation Class	B
UL	Recognized	CSA	Y
CE	N	Number of Speeds	1

Technical Specifications

Electrical Type	Permanent Split Capacitor	Starting Method	Across The Line
Poles	6	Rotation	Clockwise Lead End
Mounting	Extended Studs	Motor Orientation	Any
Drive End Bearing	Sleeve	Opp Drive End Bearing	Sleeve
Frame Material	Rolled Steel	Shaft Type	Flat
Overall Length	8.11 in	Frame Length	3.25 in
Shaft Diameter	0.500 in	Shaft Extension	4.3 in
Connection Drawing	614131-230	Outline Drawing	OFE1016-S01

This is an uncontrolled document once printed or downloaded and is subject to change without notice. Date Created:02/10/2025

GENERAL INFORMATION:

SHAFT RUNOUT: .001[.03] T.I.R. PER INCH LENGTH OF EXTENSION.

END PLAY: .010[.25] TO .063[1.60]

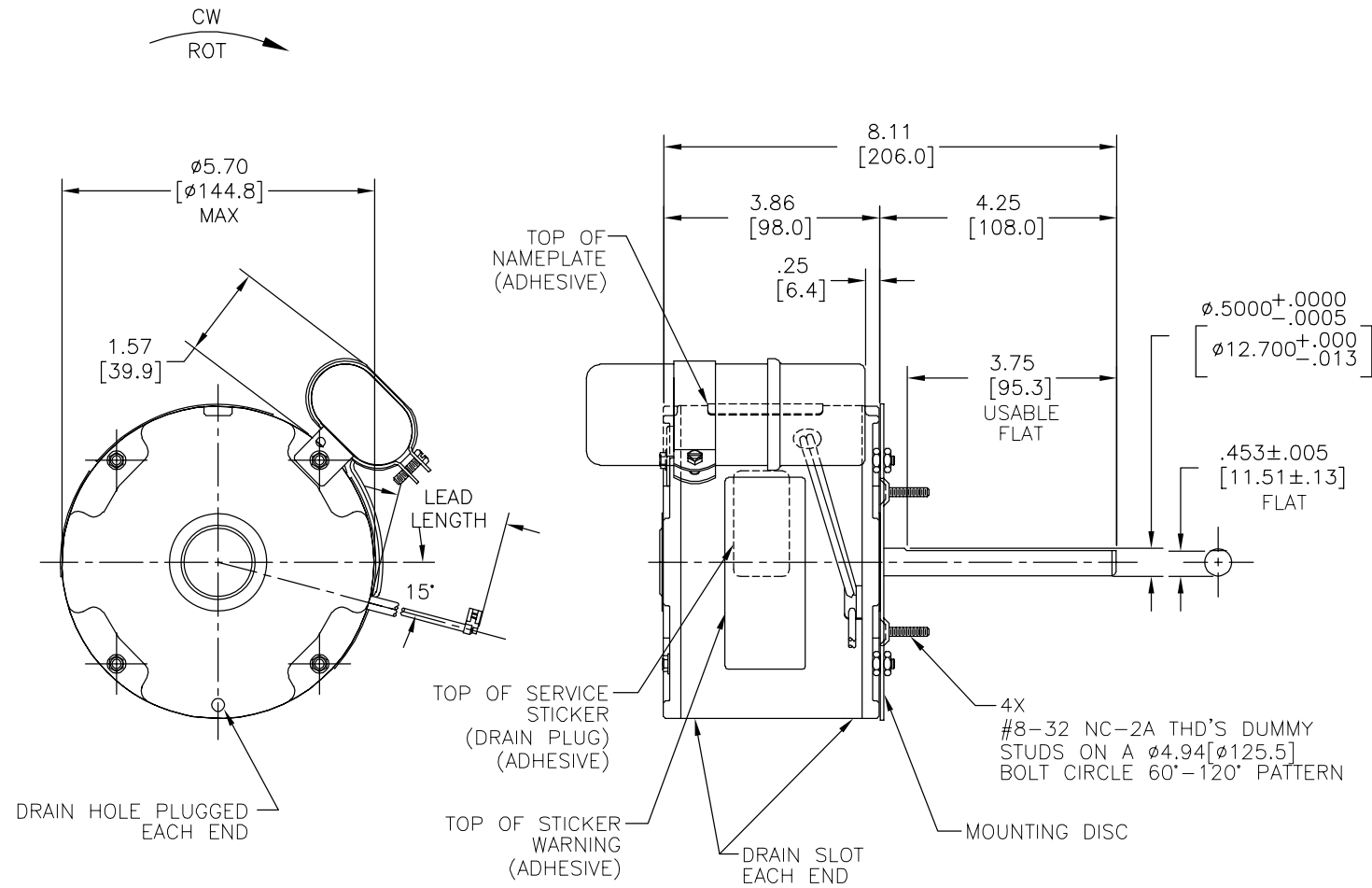
BEARINGS: SLEEVE

MOUNTING POSITION: ALL ANGLE

ELECTRICAL DATA:

OVERLOAD PROTECTOR: AUTOMATIC RESET (T.I. 7AM 036)

LEADS: NO. 18 GA., .06[1.5] THK. 125°C INSUL.



NAMEPLATE DATA:	EXTERNAL CONNECTION DIAGRAM
MODEL NO.: F48SE6L15 CUST. P/N: OFE1016 HP: 1/5 ROT.: CWLE RPM: 1080 TYPE: UF FRAME: 48Y VOLTS: 230 PH: 1 AMPS: 1.3 (1.7 MAX) HZ: 60 INS.: B AMB.: 60° C DUTY: AIR OVER CAP.: 7.5 MFD/370 V ENCL: ENCLOSED UL LOGO CSA LOGO THERMALLY PROTECTED	

COLOR	LENGTH	TERMINAL OR STRIP LENGTH
BROWN	CONNECTION TO CAPACITOR	.25[6.4] FLAG
BROWN/WHITE	CONNECTION TO CAPACITOR	.25[6.4] FLAG
YELLOW	51.0/53.0 [1295/1346]	.25[6.4] FLAG
BLACK	51.0/53.0 [1295/1346]	.25[6.4] FLAG

PERFORMANCE CURVE NO.	TORQUE @ 1080 RPM (25°C)	APPROVED SAMPLE	UL COMPONENT FILE #	CCN #	CSA FILE #	CLASS #
C23872	20.9 OZ. FT.	EX11952	E46412	PRGY2	LR43341	4211-01

REGAL-BELOIT CORPORATION (RBC) PROVIDES TECHNICAL ASSISTANCE TO OUR CUSTOMERS IN SEVERAL AREAS. SINCE RBC DOES NOT RECEIVE ALL DATA CONCERNING THE USE AND APPLICATION OF THE MOTOR, THE SUITABILITY OF THE MOTOR FOR THE APPLICATION MUST BE DETERMINED BY THE CUSTOMER.

DIMENSIONS WITHOUT TOLERANCES ARE FOR REFERENCE ONLY.

ENCLOSURE	STATUS
MAIN FRAME - OLE	CLOSED
END FRAME - OLE	CLOSED
MAIN FRAME - LE	CLOSED
END FRAME - LE	CLOSED

CUSTOMER DIST. SERVICES

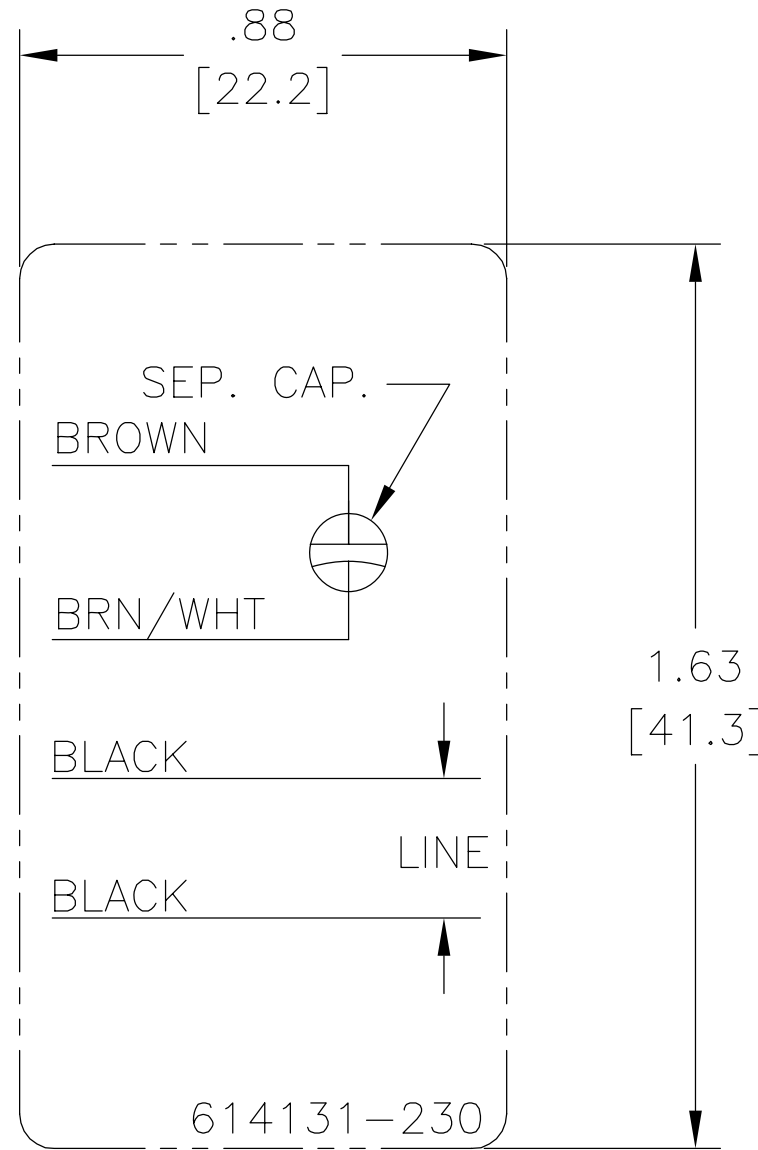
DRAWING REVISION	REVISION BY	DATE
D	E.GONG	03-05-2015
ECO	APPROVED BY C.ZHANG	DATE 03-05-2015
ECO-0073052		
ECO DESCRIPTION		
SEE ECO		

COPYRIGHT REGAL-BELOIT AMERICA, INC. ALL RIGHTS RESERVED. PROPRIETARY AND CONFIDENTIAL INFORMATION - THIS DOCUMENT IS THE PROPERTY OF REGAL-BELOIT AMERICA, INC. (OWNER) AND CONTAINS OWNER'S PROPRIETARY INFORMATION. ANY PERSON, CORPORATION OR OTHER FIRM RECEIVING IT IS DEEMED, BY RECEIVING IT, TO AGREE THAT IT, AND/OR ANY PART OF IT, SHALL NOT BE DISCLOSED TO ANY PERSON, CORPORATION OR OTHER ENTITY, DUPLICATED, AND/OR USED, EXCEPT AS EXPRESSLY APPROVED IN WRITING IN ADVANCE BY OWNER. THIS DOCUMENT SHALL BE RETURNED TO OWNER UPON REQUEST. IT MAY BE SUBJECT TO CERTAIN RESTRICTIONS UNDER APPLICABLE EXPORT CONTROL LAWS AND REGULATIONS.

DRAWN BY:	DATE:	DESCRIPTION
J.ZHU	03-08-2012	MODEL-RFHP-48FR OUTLINE
APPROVED BY:	DATE:	MATERIAL:
B.SHEN	03-08-2012	
PROCESS/FINISH	SIZE DWG NO	SHEET
	C	OFE1016 1



REV	ECO	REV BY	DATE	APPD	DATE
B	ECO-0019091	jrupert	03-07-2011	jrupert	03-07-2011



NOTES:

1. FOR USE WITH 614129 NAMEPLATE BLANK
2. — — — — — INDICATES DIMENSION LIMITS
3. DIE TO BE MADE FROM MASTER SUPPLIED BY A. O. SMITH CORPORATION
4. DIE MUST PRODUCE A LEGIBLE IMPRESSION.

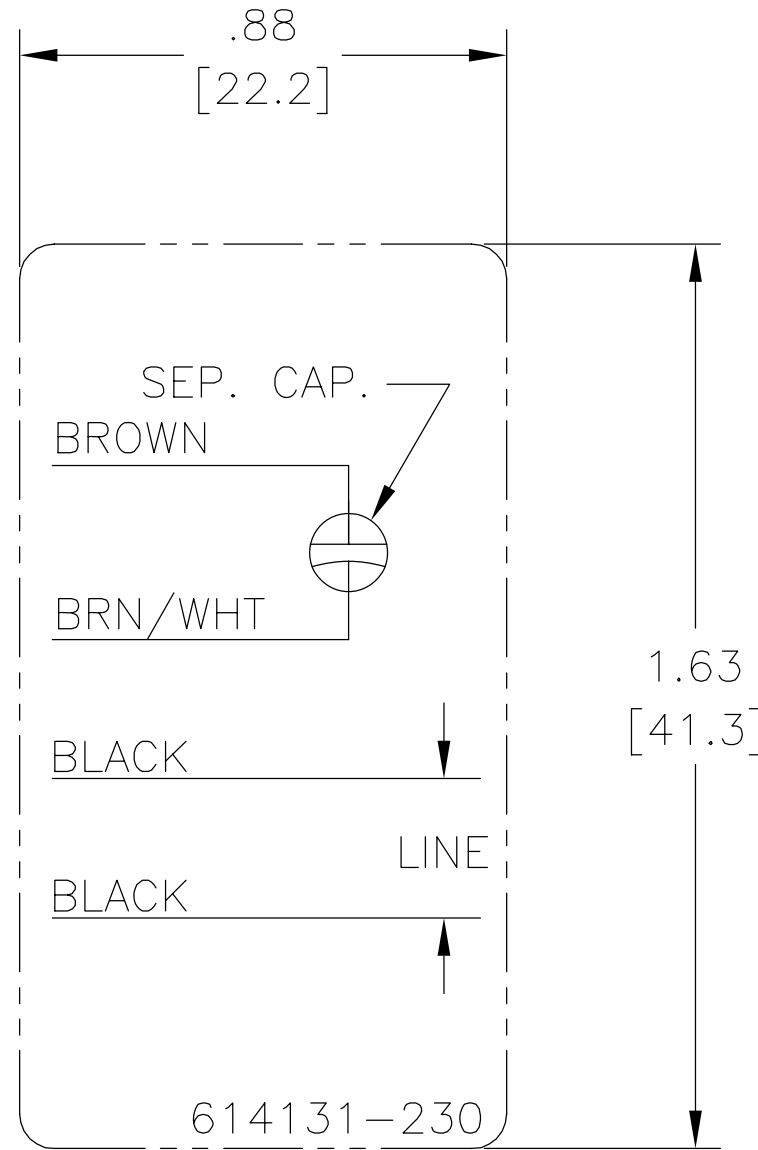
GEOMETRIC CHARACTERISTICS & SYMBOLS
 ▭ FLATNESS
 — STRAIGHTNESS
 < ANGLARITY
 ⊥ PERPENDICULARITY (SQUARENESS)
 // PARALLELISM
 ○ ROUNDNESS (CIRCULARITY)
 ∅ CYLINDRICITY
 △ PROFILE OF ANY SURFACE
 ∩ PROFILE OF ANY LINE
 ↑ RUNOUT
 ⊕ TRUE POSITION
 ⊙ CONCENTRICITY
 = SYMMETRY

UNLESS OTHERWISE SPECIFIED
 DIM. TOLERANCES ARE AS FOLLOWS:
 INCH X XX XXX XXXX
 mm ±0.5 ±0.13 ±0.013
 ANG. ±.50 DEG
 REMOVE BURRS & BREAK SHARP EDGES:
 INCH .003-.015 mm 0.1-0.4
 CORNER FILLETS TO:
 INCH .020 mm 0.5
 MACHINE SURFACES:
 INCH 125 mm 3.2
 METRIC DIMS. SHOWN IN [BRACKETS]

DR BY: jrupert 03-07-2011
 APPD: jrupert 03-07-2011
 THIRD ANGLE PROJECTION
 EDS DATE 02-22-2008
 FORMAT REV F
 CONFIDENTIAL: THIS DRAWING AND ITS INFORMATION ARE THE EXCLUSIVE AND CONFIDENTIAL PROPERTY OF A.O. SMITH CORP. AND ARE NOT TO BE DISCLOSED, DUPLICATED, DISTRIBUTED OR OTHERWISE USED WITHOUT THE WRITTEN CONSENT OF A.O. SMITH CORP.
 -ALL RIGHTS RESERVED. ASME Y14.5M 1994

		ELECTRICAL PRODUCTS COMPANY <small>A DIVISION OF A. O. SMITH CORPORATION</small>	
DESCRIPTION CONN DIAGRAM EXTERNAL			
SIZE A	DWG NO 614131-230		
SCALE NONE			SHEET 1

REVISION:	ECO	REVISADO POR:	FECHA:	APROBADO POR:	FECHA:
B	ECO-0019091	jrupert	03-07-2011	jrupert	03-07-2011




NOTES:

1. FOR USE WITH 614129 NAMEPLATE BLANK
2. ——— ——— INDICATES DIMENSION LIMITS
3. DIE TO BE MADE FROM MASTER SUPPLIED BY A. O. SMITH CORPORATION
4. DIE MUST PRODUCE A LEGIBLE IMPRESSION.

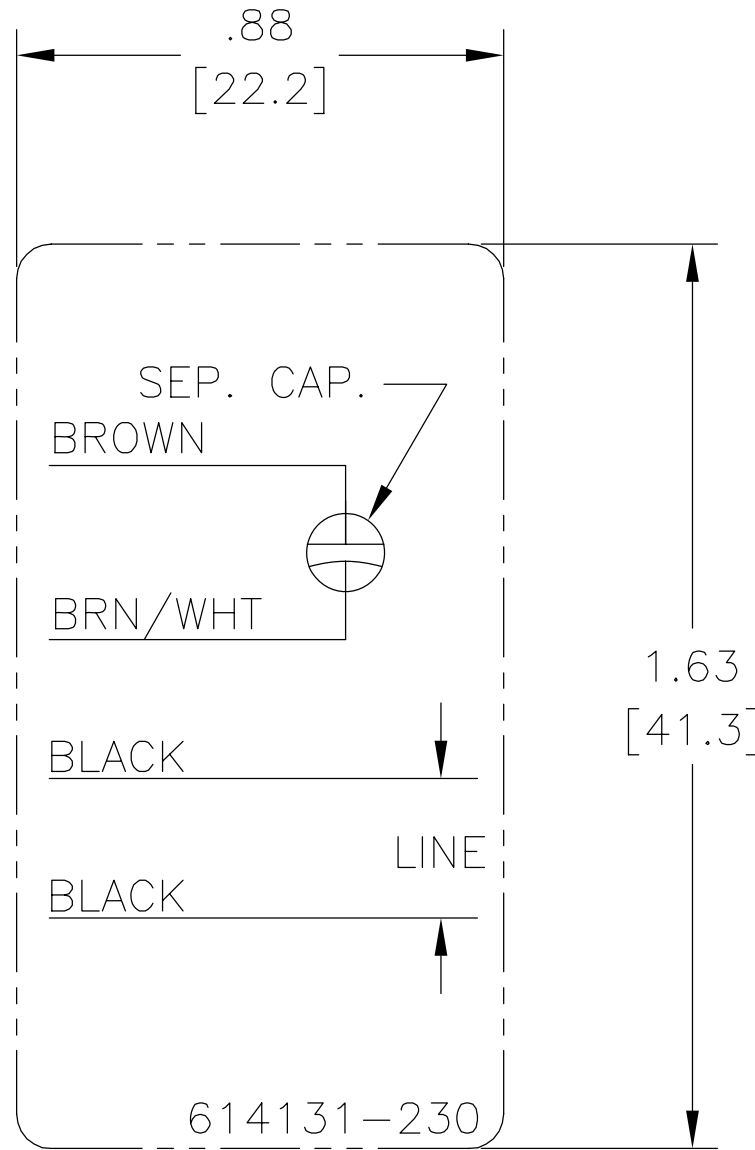
CARACTERISTICAS DE GEOMETRIA Y SIMBOLOS
□ PLANICIDAD
— RECTITUD
∠ ANGULARIDAD
⊥ PERPENDICULARIDAD (A ESCUADRA)
// PARALELISMO
○ REDONDEZ (CIRCULARIDAD)
⊘ CILINDRICIDAD
⊖ PERFIL DE CUALQUIER SUPERFICIE
⌒ PERFIL DE CUALQUIER LINEA
↑ VARIACION
⊕ POSICION REAL
◎ CONCENTRICIDAD
≡ SIMETRIA

A MENOS QUE SE ESPECIFIQUE DE OTRA MANERA, LAS TOLERANCIAS DE LAS DIMS; SON LAS SIGUIENTES:
PULG ±.1 ±.02 ±.005 ±.0005
mm ±0.5 ±0.13 ±0.013
ANG. ±.50 GRADOS
ELIMINAR REBABAS Y ORILLAS FILOSAS DEL BORDE.
PULG .003-.015 mm 0.1-0.4
FILETEAR ESQUINA: PULG .020 mm 0.5
MAQUINAR SUPERFICIES
PULG 125 mm 3.2
DIMS METRICAS MOSTRADAS [PARENTESIS]

DIBUJADO POR:	jrupert	03-07-2011
APROBADO POR:	jrupert	03-07-2011
TERCER ANGULO DE PROYECCION	⊕	FECHA EDS: 02-22-2008
		REV. FORMATO: F
CONFIDENCIAL: ESTE DIBUJO Y SU INFORMACION SON PROPIEDAD DE USO EXCLUSIVO Y CONFIDENCIAL DE A.O.SMITH CORP. Y NO DEBERAN SER REVELADOS, DUPLICADOS, DISTRIBUIDOS O USARSE DE OTRA MANERA SIN EL CONSENTIMIENTO ESCRITO DE A.O. SMITH CORP.		
-TODOS LOS DERECHOS RESERVADOS.ASME Y14.5M 1994		

 ELECTRICAL PRODUCTS COMPANY <small>A DIVISION OF A. O. SMITH CORPORATION</small>	
DESCRIPCION:	
CONN DIAGRAM EXTERNAL	
TAMAÑO: A	NUMERO DE DIBUJO: 614131-230
ESCALA:NONE	HOJA: 1

??	ECO	??	??	??
B	ECO-0019091	jrupert	03-07-2011	03-07-2011



NOTES:

1. FOR USE WITH 614129 NAMEPLATE BLANK
2. ———— INDICATES DIMENSION LIMITS
3. DIE TO BE MADE FROM MASTER SUPPLIED BY A. O. SMITH CORPORATION
4. DIE MUST PRODUCE A LEGIBLE IMPRESSION.

<p>□ ??? - ??? ∠ ??? ⊥ ??? // ??? ○ ??? ⊕ ??? △ ??? ∩ ??? ↑ ??? ⊕ ??? ⊙ ??? = ???</p>	<p>????? ???????</p> <p>?? X XX XXX XXXX ±.1 ±.02 ±.005 ±.0005 ?? ±0.5 ±0.13 ±0.013 ?? ±.50 ? ???????</p> <p>?? .003-.015 ?? 0.1-0.4 ???</p> <p>?? .020 ?? 0.5 ????? ?? 125 ?? 3.2 ???????</p>	<p>??: jrupert 03-07-2011</p> <p>??: jrupert 03-07-2011</p> <p>????? ⊕ ⊔ ?????? 02-22-2008 ?????? F</p> <p>??: ?????????????A.O.SMITH????? ??A.O.SMITH???????????????????? ??????-?????</p> <p>ASME Y14.5M 1994</p>
---	--	---

<p>ACSmith Innovation has a name.</p> <p>ELECTRICAL PRODUCTS COMPANY A DIVISION OF A. O. SMITH CORPORATION</p>	
<p>CONN DIAGRAM EXTERNAL</p>	
A	614131-230
NONE	1