

PRODUCT INFORMATION PACKET



Model No: OFE4536

Catalog No: OFE4536

1/6 HP OEM Replacement Motor, 1625/1380/1300 RPM, 3 Speed, 115 Volts, 42 Frame, TEAO
OEM Replacement Motors



Regal and Century are trademarks of Regal Rexnord Corporation or one of its affiliated companies.
©2021 Regal Rexnord Corporation, All Rights Reserved. MC017097E





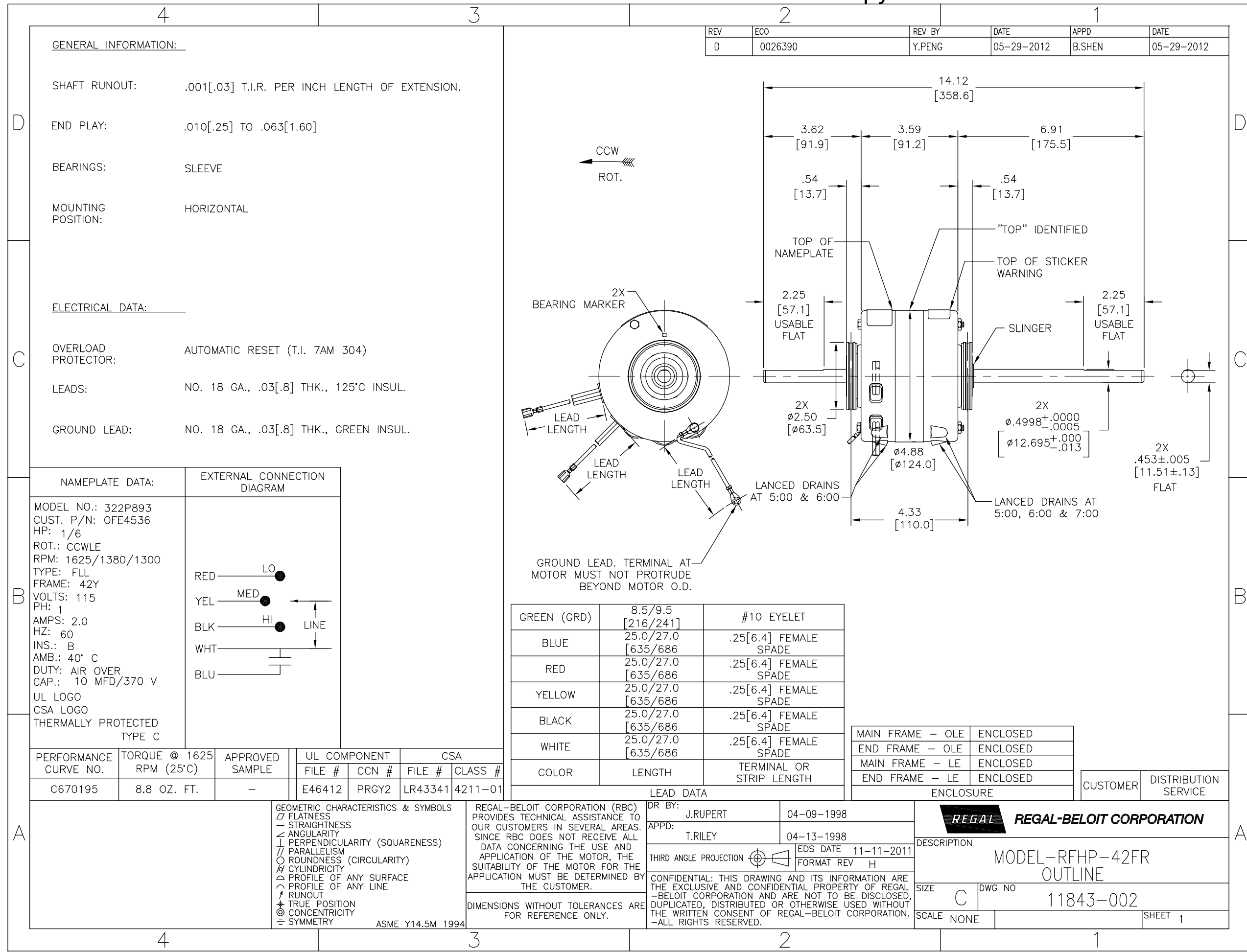
Nameplate Specifications

Output HP	1/6 Hp	Output KW	0.13 kW
Frequency	60 Hz	Voltage	115 V
Current	2.0 A	Speed	1625/1380/1300 rpm
Service Factor	1	Phase	1
Duty	Air Over	Insulation Class	B
Frame	42Y	Enclosure	Totally Enclosed
Thermal Protection	Automatic	Ambient Temperature	40 °C
UL	Recognized	CSA	Y
CE	N	Number of Speeds	3

Technical Specifications

Electrical Type	Permanent Split Capacitor	Starting Method	Across The Line
Poles	4	Rotation	Counterclockwise Lead End
Mounting	Resilient Rings	Motor Orientation	Horizontal
Drive End Bearing	Sleeve	Opp Drive End Bearing	Sleeve
Frame Material	Rolled Steel	Shaft Type	Flat
Overall Length	14.12 in	Shaft Diameter	0.500 in
Shaft Extension	3.6 X.5X 6.9 in		
Outline Drawing	11843-002	Connection Drawing	7554A44F01

This is an uncontrolled document once printed or downloaded and is subject to change without notice. Date Created:10/12/2021



REV	ECO	REV BY	DATE	APPD	DATE
D	0026390	Y.PENG	05-29-2012	B.SHEN	05-29-2012

GENERAL INFORMATION:

SHAFT RUNOUT: .001[.03] T.I.R. PER INCH LENGTH OF EXTENSION.
 END PLAY: .010[.25] TO .063[1.60]
 BEARINGS: SLEEVE
 MOUNTING POSITION: HORIZONTAL

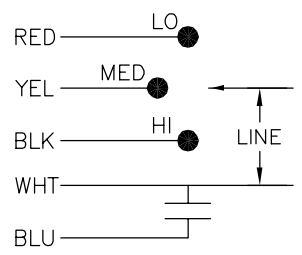
ELECTRICAL DATA:

OVERLOAD PROTECTOR: AUTOMATIC RESET (T.I. 7AM 304)
 LEADS: NO. 18 GA., .03[.8] THK., 125°C INSUL.
 GROUND LEAD: NO. 18 GA., .03[.8] THK., GREEN INSUL.

NAMEPLATE DATA:

EXTERNAL CONNECTION DIAGRAM

MODEL NO.: 322P893
 CUST. P/N: OFE4536
 HP: 1/6
 ROT.: CCWLE
 RPM: 1625/1380/1300
 TYPE: FLL
 FRAME: 42Y
 VOLTS: 115
 PH: 1
 AMPS: 2.0
 HZ: 60
 INS.: B
 AMB.: 40° C
 DUTY: AIR OVER
 CAP.: 10 MFD/370 V
 UL LOGO
 CSA LOGO
 THERMALLY PROTECTED TYPE C



GREEN (GRD)	8.5/9.5 [216/241]	#10 EYELET
BLUE	25.0/27.0 [635/686]	.25[6.4] FEMALE SPADE
RED	25.0/27.0 [635/686]	.25[6.4] FEMALE SPADE
YELLOW	25.0/27.0 [635/686]	.25[6.4] FEMALE SPADE
BLACK	25.0/27.0 [635/686]	.25[6.4] FEMALE SPADE
WHITE	25.0/27.0 [635/686]	.25[6.4] FEMALE SPADE
COLOR	LENGTH	TERMINAL OR STRIP LENGTH

MAIN FRAME - OLE	ENCLOSED
END FRAME - OLE	ENCLOSED
MAIN FRAME - LE	ENCLOSED
END FRAME - LE	ENCLOSED

CUSTOMER	DISTRIBUTION SERVICE
----------	----------------------

GEOMETRIC CHARACTERISTICS & SYMBOLS
 ▮ FLATNESS
 - STRAIGHTNESS
 ∠ ANGULARITY
 ⊥ PERPENDICULARITY (SQUARENESS)
 // PARALLELISM
 ○ ROUNDNESS (CIRCULARITY)
 ∅ CYLINDRICITY
 △ PROFILE OF ANY SURFACE
 ∩ PROFILE OF ANY LINE
 ↑ RUNOUT
 ⊕ TRUE POSITION
 ⊙ CONCENTRICITY
 = SYMMETRY
 ASME Y14.5M 1994

REGAL-BELOIT CORPORATION (RBC) PROVIDES TECHNICAL ASSISTANCE TO OUR CUSTOMERS IN SEVERAL AREAS. SINCE RBC DOES NOT RECEIVE ALL DATA CONCERNING THE USE AND APPLICATION OF THE MOTOR, THE SUITABILITY OF THE MOTOR FOR THE APPLICATION MUST BE DETERMINED BY THE CUSTOMER.
 DIMENSIONS WITHOUT TOLERANCES ARE FOR REFERENCE ONLY.

DR BY: J.RUPERT 04-09-1998
 APPD: T.RILEY 04-13-1998
 EDS DATE 11-11-2011
 FORMAT REV H
 THIRD ANGLE PROJECTION
 CONFIDENTIAL: THIS DRAWING AND ITS INFORMATION ARE THE EXCLUSIVE AND CONFIDENTIAL PROPERTY OF REGAL-BELOIT CORPORATION AND ARE NOT TO BE DISCLOSED, DUPLICATED, DISTRIBUTED OR OTHERWISE USED WITHOUT THE WRITTEN CONSENT OF REGAL-BELOIT CORPORATION. -ALL RIGHTS RESERVED.

REGAL REGAL-BELOIT CORPORATION
 DESCRIPTION: MODEL-RFHP-42FR OUTLINE
 SIZE C DWG NO 11843-002
 SCALE NONE SHEET 1

4 3 2 1

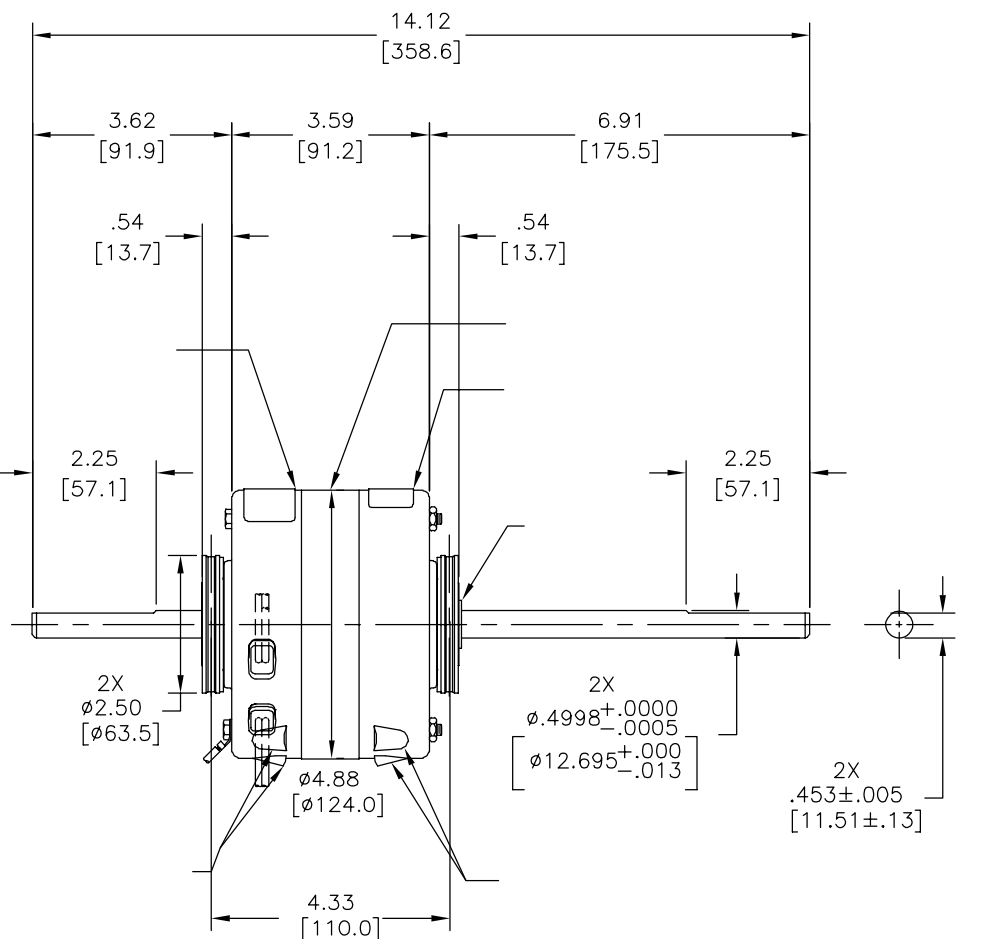
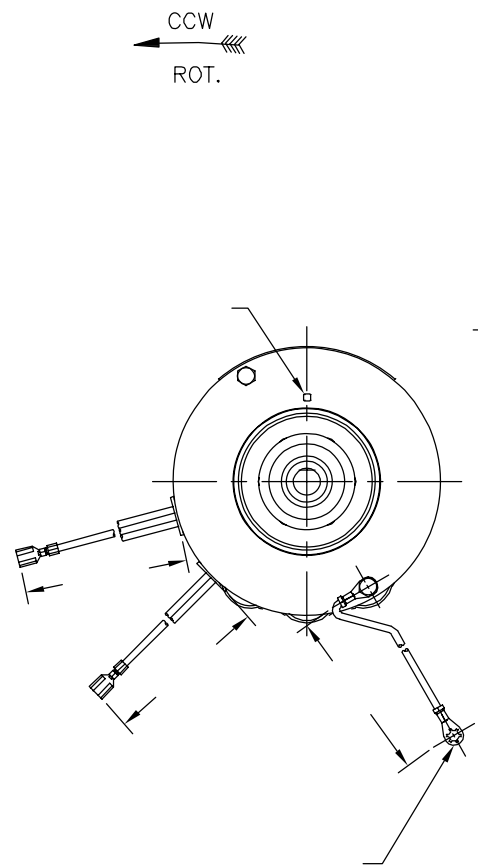
REVISION:	ECO	REVISADO POR:	FECHA:	APROBADO POR:	FECHA:
D	0026390	Y.PENG	05-29-2012	B.SHEN	05-29-2012

INFORMACION GENERAL:

OSCILACION DE FLECHA: -
 JUEGO AXIAL: -
 BALEROS: -
 POSICION DEL MONTAJE: -

INFORMACION ELECTRICA:

PROTECTOR DE SOBRECARGA: -
 CABLES: -
 CABLE DE TIERRA: -



	8.5/9.5	
	[216/241]	
	25.0/27.0	
	[635/686]	
-	25.0/27.0	-
	[635/686]	
-	25.0/27.0	-
	[635/686]	
-	25.0/27.0	-
	[635/686]	
-	25.0/27.0	-
	[635/686]	

CARCASA - LOC	-
TAPA - LOC	-
CARCASA - LC	-
TAPA - LC	-

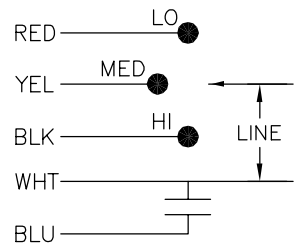
CLIENTE	DISTRIBUTION SERVICE
---------	----------------------

COLOR	LONGITUD	TERMINAL O LONGITUD DE DESFORRE
-------	----------	---------------------------------

INFORMACION DE ETIQUETA:

MODEL NO.: 322P893
 CUST. P/N: OFE4536
 HP: 1/6
 ROT.: CCWLE
 RPM: 1625/1380/1300
 TYPE: FLL
 FRAME: 42Y
 VOLTS: 115
 PH: 1
 AMPS: 2.0
 HZ: 60
 INS.: B
 AMB.: 40° C
 DUTY: AIR OVER
 CAP.: 10 MFD/370 V
 UL LOGO
 CSA LOGO
 THERMALLY PROTECTED TYPE C

DIAGRAMA DE CONEXION EXTRNA



CURVAS DE FUNCIONAMIENTO	TORSION @1625 RPM (25°C)	MUESTRA APROBADA	COMPONENTE UL	CSA
C670195	8.8 OZ. FT.	-	#ARCHIVO PRGY2	LR43341 4211-01

CARACTERISTICAS DE GEOMETRIA Y SIMBOLOS
 ▽ PLANICIDAD
 — RECTITUD
 ∠ ANGULARIDAD
 ⊥ PERPENDICULARIDAD (A ESCUADRA)
 // PARALELISMO
 ○ REDONDEZ (CIRCULARIDAD)
 ∅ CILINDRICIDAD
 △ PERFIL DE CUALQUIER SUPERFICIE
 ∩ PERFIL DE CUALQUIER LINEA
 ↗ VARIACION
 ⊕ POSICION REAL
 ⊙ CONCENTRICIDAD
 = SIMETRIA ASME Y14.5M 1994

REGAL-BELOIT CORPORATION (RBC) PROVEE ASISTENCIA TECNICA A NUESTROS CLIENTES EN VARIAS AREAS. DESDE QUE RBC NO RECIBE TODOS LOS DATOS EN RELACION AL USO Y A LA APLICACION DEL MOTOR, LA APLICACION ADECUADA DEL MOTOR DEBE SER DETERMINADA POR EL CLIENTE.

DIMENSIONES SIN TOLERANCIA SON DE REFERENCIA SOLAMENTE

DIBUJADO POR: J.RUPERT 04-09-1998

APROBADO POR: T.RILEY 04-13-1998

TERCER ANGULO DE PROYECCION FECHA EDS: 11-11-2011 REV. FORMATO: H

CONFIDENCIAL: ESTE DIBUJO Y SU INFORMACION SON PROPIEDAD DE USO EXCLUSIVO Y CONFIDENCIAL DE REGAL-BELOIT CORPORATION. Y NO DEBERAN SER REVELADOS, DUPLICADOS, DISTRIBUIDOS O USARSE DE OTRA MANERA SIN EL CONSENTIMIENTO ESCRITO DE REGAL-BELOIT CORPORATION. -TODOS LOS DERECHOS RESERVADOS.



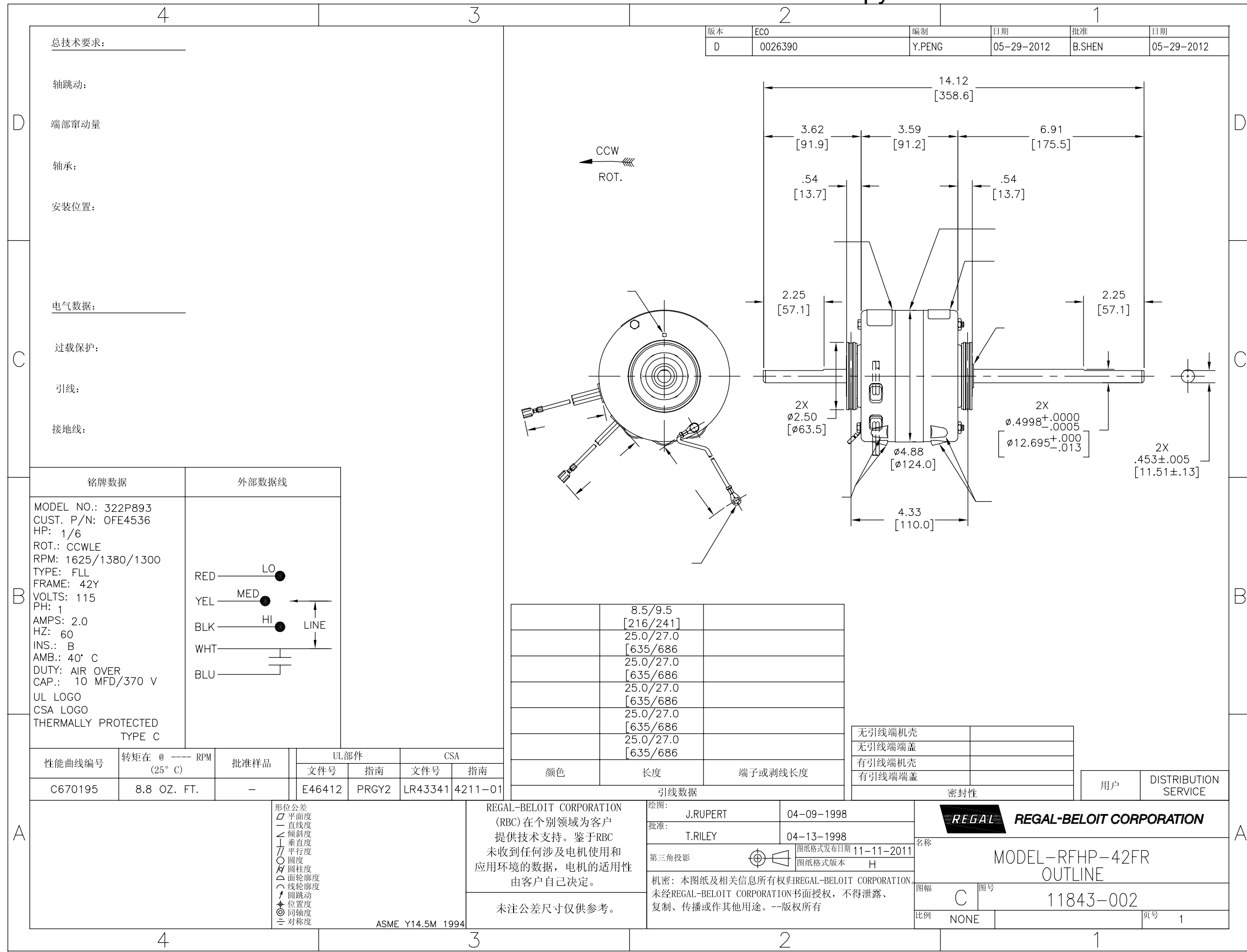
DESCRIPCION: MODEL-RFHP-42FR OUTLINE

TAMAÑO: C NUMERO DE DIBUJO: 11843-002
 ESCALA: NONE HOJA: 1

D
C
B
A

D
C
B
A

4 3 2 1



版本	ECO	编制	日期	批准	日期
D	0026390	Y.PENG	05-29-2012	B.SHEN	05-29-2012

总技术要求:

轴跳动:

端部窜动量

轴承:

安装位置:

电气数据:

过载保护:

引线:

接地线:

铭牌数据	外部数据线
MODEL NO.: 322P893 CUST. P/N: OFE4536 HP: 1/6 ROT.: CCWLE RPM: 1625/1380/1300 TYPE: FLL FRAME: 42Y VOLTS: 115 PH: 1 AMPS: 2.0 HZ: 60 INS.: B AMB.: 40° C DUTY: AIR OVER CAP.: 10 MFD/370 V UL LOGO CSA LOGO THERMALLY PROTECTED TYPE C	

颜色	长度	端子或剥线长度
	8.5/9.5	
	[216/241]	
	25.0/27.0	
	[635/686]	
	25.0/27.0	
	[635/686]	
	25.0/27.0	
	[635/686]	
	25.0/27.0	
	[635/686]	
	25.0/27.0	
	[635/686]	

无引线端机壳	
无引线端端盖	
有引线端机壳	
有引线端端盖	

性能曲线编号	转矩在 @ --- RPM (25° C)	批准样品	UL部件	CSA
C670195	8.8 OZ. FT.	-	文件号 指南	文件号 指南
			E46412 PRGY2	LR43341 4211-01

- 形位公差
- 平面度
- 直线度
- 倾斜度
- 垂直度
- 平行度
- 圆度
- 圆柱度
- 面轮廓度
- 线轮廓度
- 圆跳动
- 位置度
- 同轴度
- 对称度

ASME Y14.5M 1994

REGAL-BELOIT CORPORATION (RBC) 在个别领域为客户提供技术支持。鉴于RBC未收到任何涉及电机使用和应用环境的数据，电机的适用性由客户自己决定。

未注公差尺寸仅供参考。

绘图:	J.RUPERT	04-09-1998
批准:	T.RILEY	04-13-1998
第三角投影		图纸格式发布日期 11-11-2011 图纸格式版本 H
机密: 本图纸及相关信息所有权归REGAL-BELOIT CORPORATION。未经REGAL-BELOIT CORPORATION书面授权, 不得泄露、复制、传播或作其他用途。--版权所有		



名称	MODEL-RFHP-42FR OUTLINE
图幅	C
图号	11843-002
比例	NONE
页号	1