

PRODUCT INFORMATION PACKET



Model No: OFE5001

Catalog No: OFE5001

1/5 HP OEM Replacement Motor, 1350/1000 RPM, 2 Speed, 230/208 Volts, 42 Frame, TEAO
OEM Replacement Motors



Regal and Century are trademarks of Regal Rexnord Corporation or one of its affiliated companies.
©2021 Regal Rexnord Corporation, All Rights Reserved. MC017097E





Nameplate Specifications

Output HP	1/5 Hp	Output KW	0.15 kW
Frequency	60 Hz	Voltage	230/208 V
Current	1.5 A	Speed	1350/1000 rpm
Service Factor	1	Phase	1
Duty	Air Over	Insulation Class	B
Frame	42Y	Enclosure	Totally Enclosed
Thermal Protection	Automatic	Ambient Temperature	40 °C
UL	Recognized	CSA	Y
CE	N	Number of Speeds	2

Technical Specifications

Electrical Type	Permanent Split Capacitor	Starting Method	Across The Line
Poles	4	Rotation	Counterclockwise Lead End
Mounting	Extended Studs	Motor Orientation	Horizontal
Drive End Bearing	Sleeve	Opp Drive End Bearing	Sleeve
Frame Material	Na	Shaft Type	Flat
Overall Length	9.87 in	Shaft Diameter	0.500 in
Shaft Extension	3.8X.5X2.8 in		
Outline Drawing	11667-019	Connection Drawing	621668

This is an uncontrolled document once printed or downloaded and is subject to change without notice. Date Created:10/12/2021

4

3

2

1

GENERAL INFORMATION:

SHAFT RUNOUT: .001[.03] T.I.R. PER INCH LENGTH OF EXTENSION.

END PLAY: .010[.25] TO .063[1.60]

BEARINGS: SLEEVE

MOUNTING POSITION: HORIZONTAL

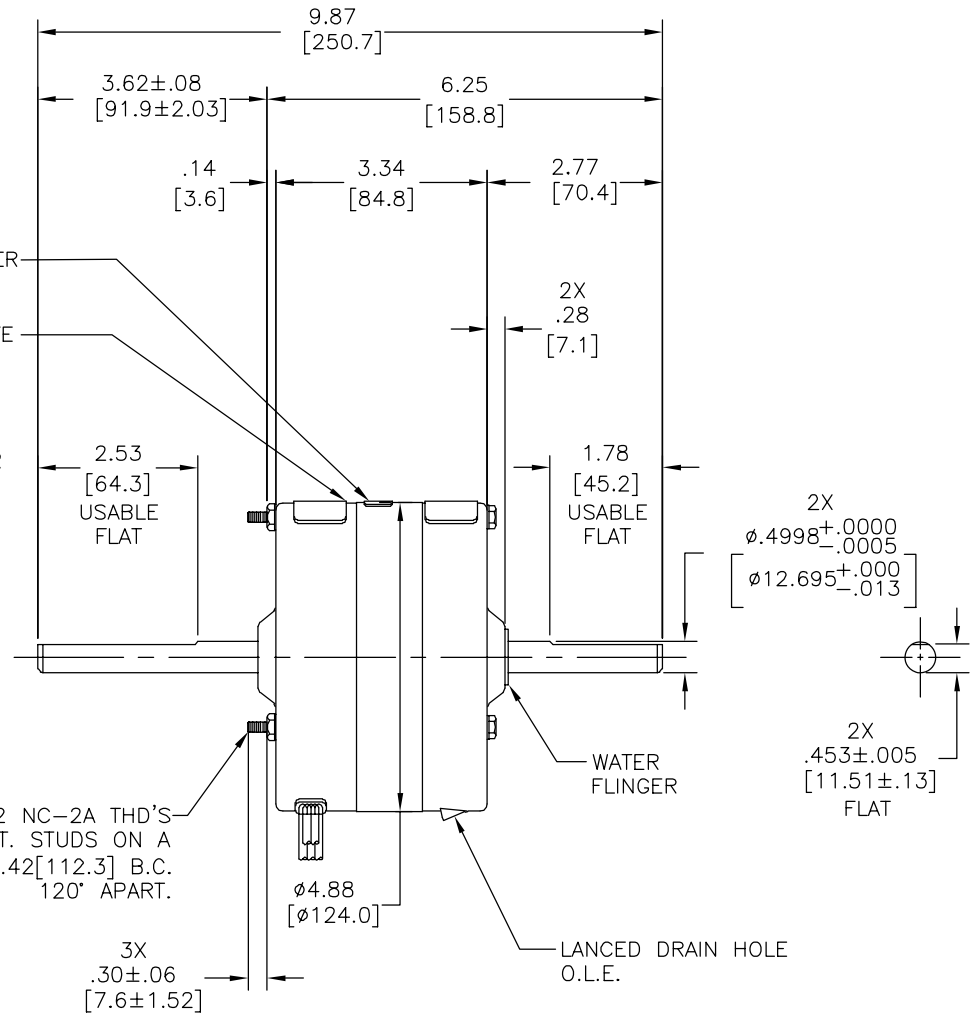
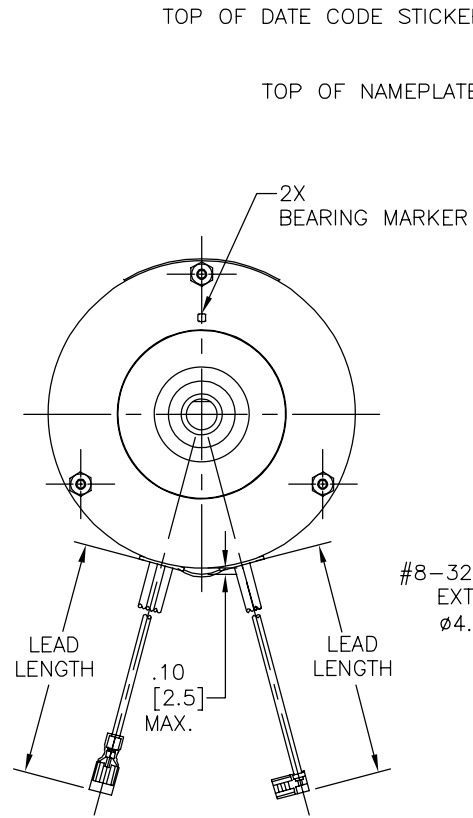
ELECTRICAL DATA:

OVERLOAD PROTECTOR: AUTOMATIC RESET (T.I. 7AM 304)

LEADS: NO. 18 GA., .03[.8] THK., 105°C PVC INSUL.

REV	ECO	REV BY	DATE	APPD	DATE
C	0025555	O. CARVAJAL	05-02-2012	M. AVILA	05-02-2012

CCW
ROT



NAMEPLATE DATA:	EXTERNAL CONNECTION DIAGRAM
MODEL NO.: F42B11A01 CUST. P/N: OFE5001 HP: 1/5 ROT.: CCWLE RPM: 1350/1000 TYPE: FLL FRAME: 42Y VOLTS: 230/208 PH: 1 AMPS: 1.5 HZ: 60 INS.: B AMB.: 40° C DUTY: AIR OVER CAP.: 4 MFD/370 V ENCL: - UL LOGO CSA LOGO THERMALLY PROTECTED TYPE C	

RED	27.0/29.0 [686/737]	.25[6.4] INSUL. FEMALE SPADE
BLACK	27.0/29.0 [686/737]	.25[6.4] INSUL. FEMALE SPADE
ORANGE	27.0/29.0 [686/737]	.25[6.4] FLAT
YELLOW	27.0/29.0 [686/737]	.25[6.4] FLAT
COLOR	LENGTH	TERMINAL OR STRIP LENGTH

MAIN FRAME - OLE	ENCLOSED
END FRAME - OLE	ENCLOSED
MAIN FRAME - LE	ENCLOSED
END FRAME - LE	ENCLOSED

CUSTOMER	DISTRIBUTION SERVICE
----------	----------------------

PERFORMANCE CURVE NO.	TORQUE @ 1350 RPM (25°C)	APPROVED SAMPLE	UL COMPONENT FILE #	CCN #	CSA FILE #	CLASS #
C30601	11.3 OZ. FT.	-	E46412	PRGY2	LR43341	4211-01

GEOMETRIC CHARACTERISTICS & SYMBOLS

- ▮ FLATNESS
- STRAIGHTNESS
- ∠ ANGULARITY
- ⊥ PERPENDICULARITY (SQUARENESS)
- ∥ PARALLELISM
- ROUNDNESS (CIRCULARITY)
- ⊘ CYLINDRICITY
- △ PROFILE OF ANY SURFACE
- ⌒ PROFILE OF ANY LINE
- ↑ RUNOUT
- ⊕ TRUE POSITION
- ◎ CONCENTRICITY
- = SYMMETRY

ASME Y14.5M 1994

REGAL-BELOIT CORPORATION (RBC) PROVIDES TECHNICAL ASSISTANCE TO OUR CUSTOMERS IN SEVERAL AREAS. SINCE RBC DOES NOT RECEIVE ALL DATA CONCERNING THE USE AND APPLICATION OF THE MOTOR, THE SUITABILITY OF THE MOTOR FOR THE APPLICATION MUST BE DETERMINED BY THE CUSTOMER.

DIMENSIONS WITHOUT TOLERANCES ARE FOR REFERENCE ONLY.

DR BY:	D.M. JONES	08-31-1999
APPD:	J.P. MURPHY	09-01-1999
THIRD ANGLE PROJECTION	EDS DATE 11-11-2011 FORMAT REV G	

CONFIDENTIAL: THIS DRAWING AND ITS INFORMATION ARE THE EXCLUSIVE AND CONFIDENTIAL PROPERTY OF REGAL-BELOIT CORPORATION AND ARE NOT TO BE DISCLOSED, DUPLICATED, DISTRIBUTED OR OTHERWISE USED WITHOUT THE WRITTEN CONSENT OF REGAL-BELOIT CORPORATION. -ALL RIGHTS RESERVED.

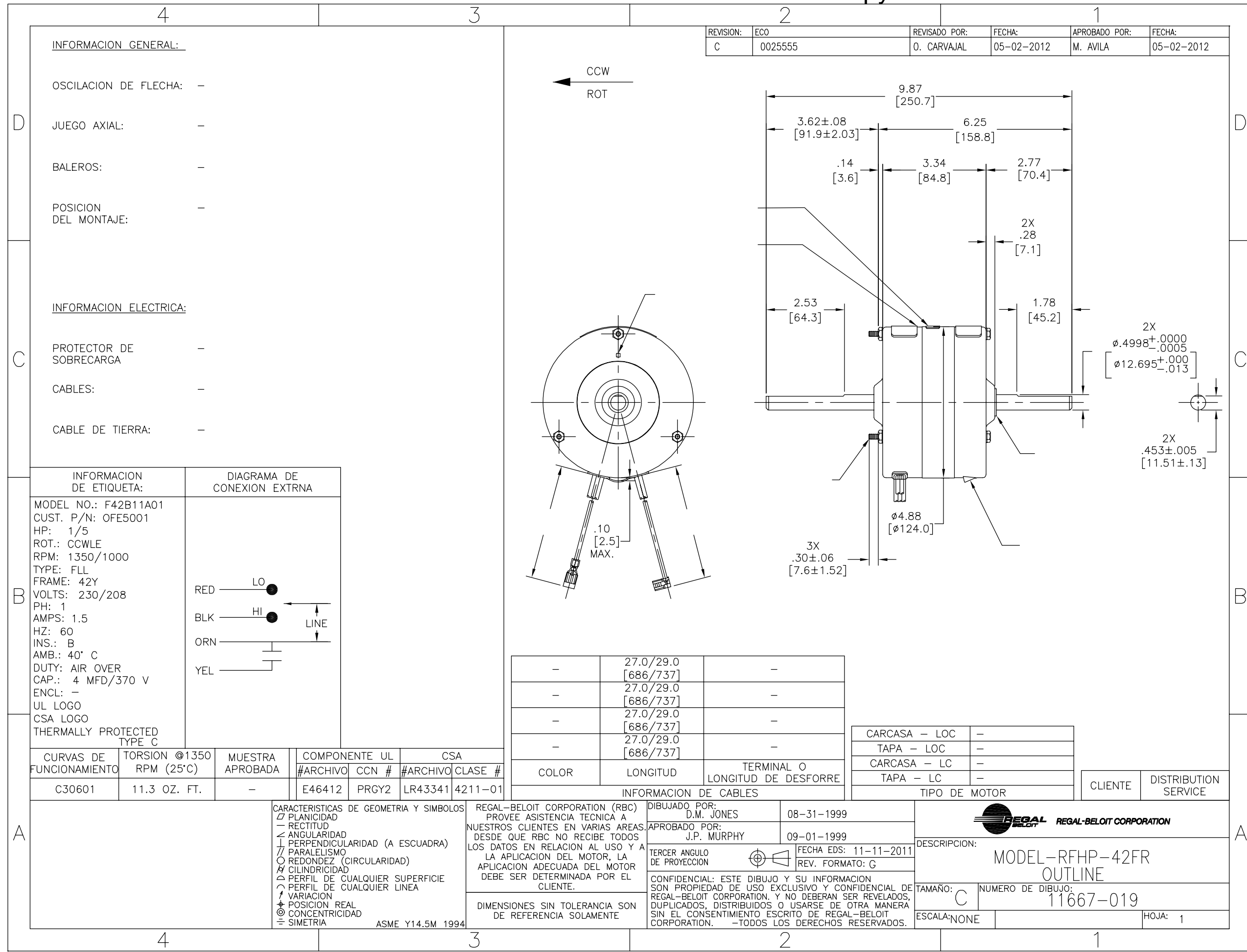
DESCRIPTION	MODEL-RFHP-42FR OUTLINE
SIZE	C
DWG NO	11667-019
SCALE	NONE
SHEET	1

4

3

2

1



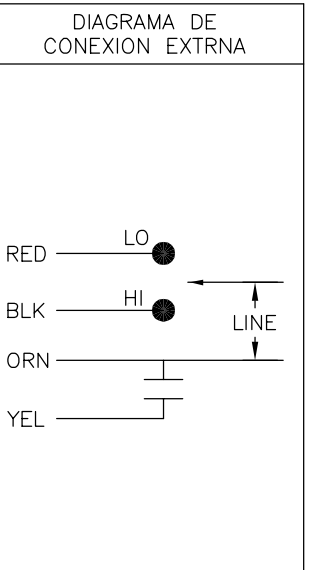
INFORMACION GENERAL:

OSCILACION DE FLECHA: -
 JUEGO AXIAL: -
 BALEROS: -
 POSICION DEL MONTAJE: -

INFORMACION ELECTRICA:

PROTECTOR DE SOBRECARGA: -
 CABLES: -
 CABLE DE TIERRA: -

INFORMACION DE ETIQUETA:
 MODEL NO.: F42B11A01
 CUST. P/N: OFE5001
 HP: 1/5
 ROT.: CCWLE
 RPM: 1350/1000
 TYPE: FLL
 FRAME: 42Y
 VOLTS: 230/208
 PH: 1
 AMPS: 1.5
 HZ: 60
 INS.: B
 AMB.: 40° C
 DUTY: AIR OVER
 CAP.: 4 MFD/370 V
 ENCL: -
 UL LOGO
 CSA LOGO
 THERMALLY PROTECTED TYPE C



-	27.0/29.0 [686/737]	-
-	27.0/29.0 [686/737]	-
-	27.0/29.0 [686/737]	-
-	27.0/29.0 [686/737]	-

CARCASA - LOC	-
TAPA - LOC	-
CARCASA - LC	-
TAPA - LC	-

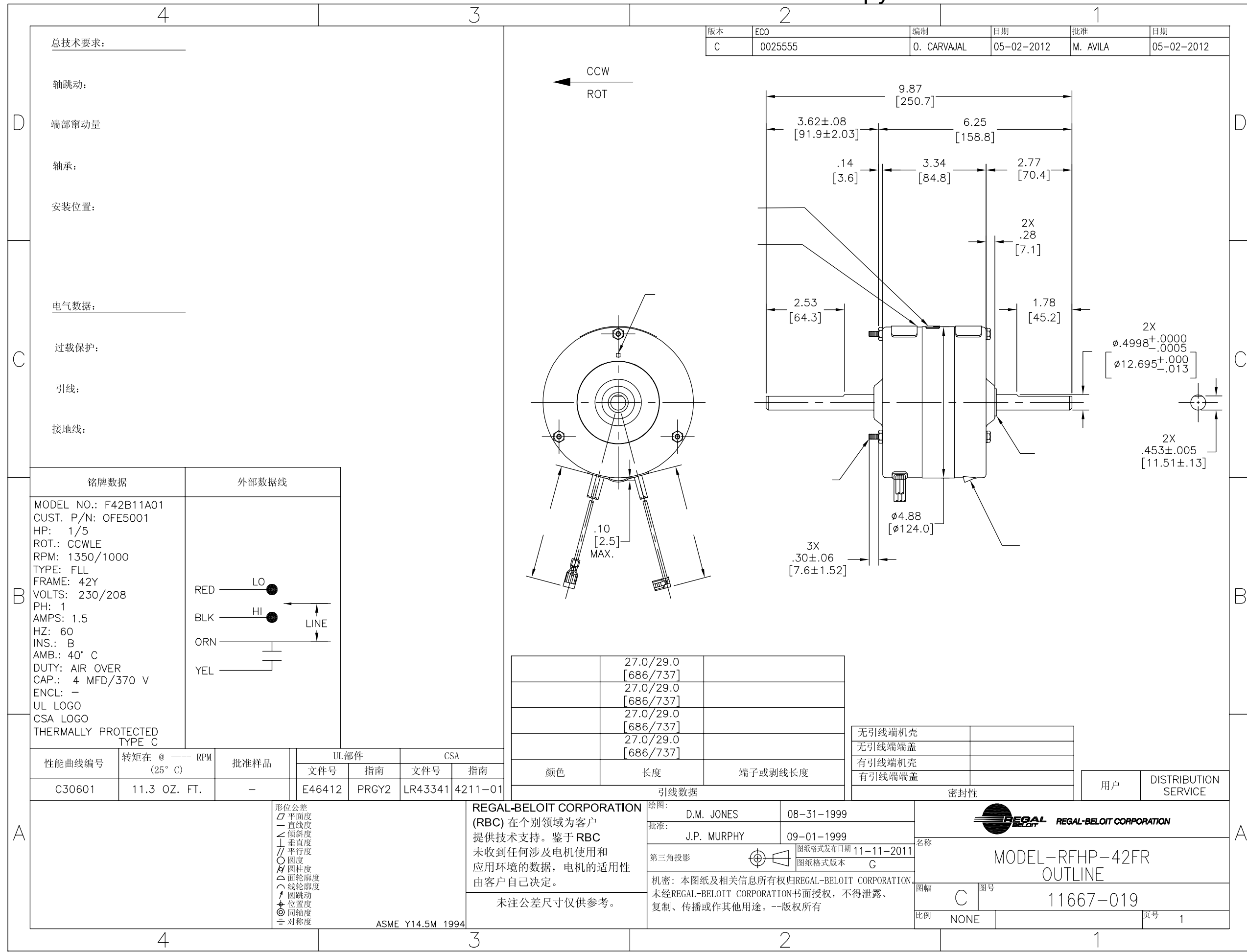
CLIENTE	DISTRIBUTION SERVICE
---------	----------------------

CURVAS DE FUNCIONAMIENTO: C30601
 TORSION @1350 RPM (25°C): 11.3 OZ. FT.
 MUESTRA APROBADA: -
 COMPONENTE UL: #ARCHIVO E46412, CCN # PRGY2, #ARCHIVO LR43341, CLASE # 4211-01
 CSA: #ARCHIVO LR43341, CLASE # 4211-01

REGAL-BELOIT CORPORATION (RBC) PROVEE ASISTENCIA TECNICA A NUESTROS CLIENTES EN VARIAS AREAS. DESDE QUE RBC NO RECIBE TODOS LOS DATOS EN RELACION AL USO Y A LA APLICACION DEL MOTOR, LA APLICACION ADECUADA DEL MOTOR DEBE SER DETERMINADA POR EL CLIENTE.

DIBUJADO POR: D.M. JONES 08-31-1999
 APROBADO POR: J.P. MURPHY 09-01-1999
 TERCER ANGULO DE PROYECCION
 CONFIDENCIAL: ESTE DIBUJO Y SU INFORMACION SON PROPIEDAD DE USO EXCLUSIVO Y CONFIDENCIAL DE REGAL-BELOIT CORPORATION. Y NO DEBERAN SER REVELADOS, DUPLICADOS, DISTRIBUIDOS O USARSE DE OTRA MANERA SIN EL CONSENTIMIENTO ESCRITO DE REGAL-BELOIT CORPORATION. -TODOS LOS DERECHOS RESERVADOS.

DESCRIPCION: MODEL-RFHP-42FR OUTLINE
 TAMAÑO: C NUMERO DE DIBUJO: 11667-019
 ESCALA: NONE HOJA: 1



总技术要求:
轴跳动:
端部窜动量
轴承:
安装位置:
电气数据:
过载保护:
引线:
接地线:

版本	ECO	编制	日期	批准	日期
C	0025555	O. CARVAJAL	05-02-2012	M. AVILA	05-02-2012

铭牌数据	外部数据线
MODEL NO.: F42B11A01 CUST. P/N: OFE5001 HP: 1/5 ROT.: CCWLE RPM: 1350/1000 TYPE: FLL FRAME: 42Y VOLTS: 230/208 PH: 1 AMPS: 1.5 HZ: 60 INS.: B AMB.: 40° C DUTY: AIR OVER CAP.: 4 MFD/370 V ENCL: - UL LOGO CSA LOGO THERMALLY PROTECTED TYPE C	

	27.0/29.0	
	[686/737]	
	27.0/29.0	
	[686/737]	
	27.0/29.0	
	[686/737]	
	27.0/29.0	
	[686/737]	
颜色	长度	端子或剥线长度

无引线端机壳	
无引线端端盖	
有引线端机壳	
有引线端端盖	

用户	DISTRIBUTION SERVICE
----	----------------------

性能曲线编号	转矩在 @ --- RPM (25° C)	批准样品	UL部件		CSA	
			文件号	指南	文件号	指南
C30601	11.3 OZ. FT.	-	E46412	PRGY2	LR43341	4211-01

REGAL-BELOIT CORPORATION (RBC) 在个别领域为客户提供技术支持。鉴于 RBC 未收到任何涉及电机使用和应用环境的数据，电机的适用性由客户自己决定。

未注公差尺寸仅供参考。

绘图:	D.M. JONES	08-31-1999
批准:	J.P. MURPHY	09-01-1999
第三角投影		图纸格式发布日期 11-11-2011 图纸格式版本 G
机密: 本图纸及相关信息所有权归REGAL-BELOIT CORPORATION。未经REGAL-BELOIT CORPORATION书面授权, 不得泄露、复制、传播或作其他用途。--版权所有		

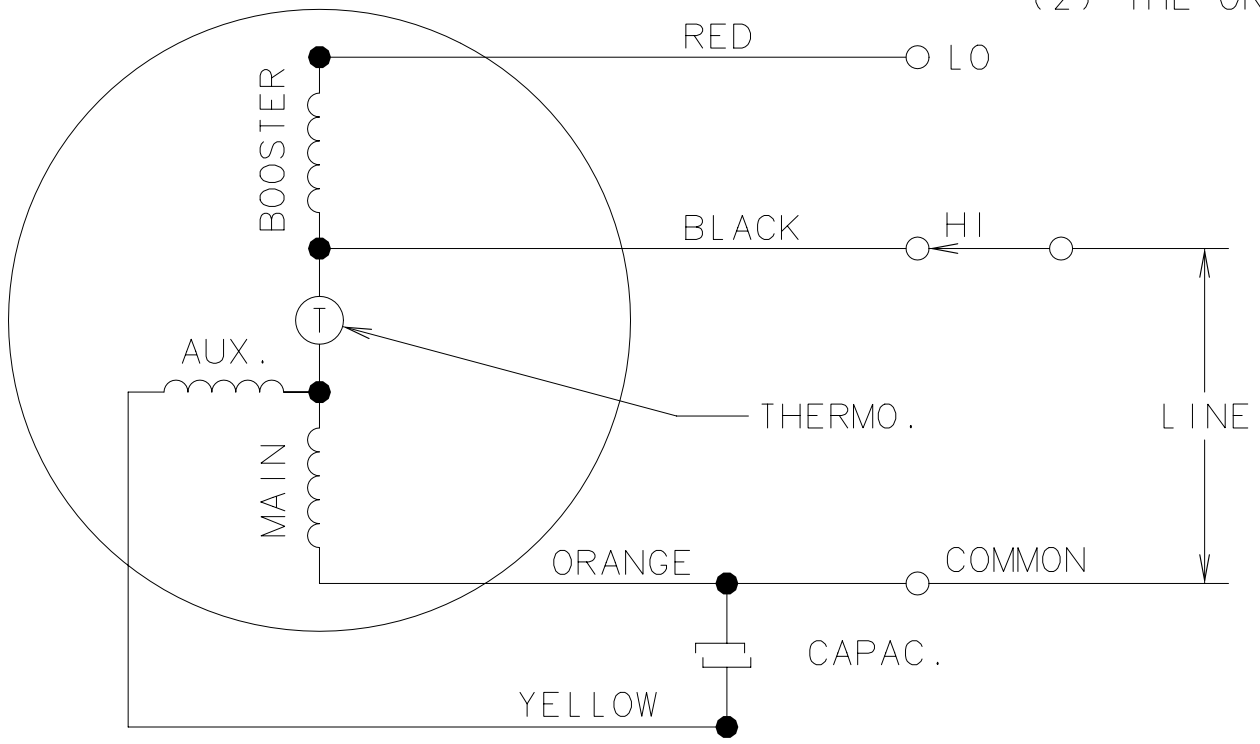
名称 MODEL-RFHP-42FR OUTLINE	
图幅 C	图号 11667-019
比例 NONE	页号 1


- 形位公差
- 平面度
- 直线度
- ∠ 倾斜度
- ⊥ 垂直度
- ∥ 平行度
- 圆度
- ⊘ 圆柱度
- ⌒ 面轮廓度
- 线轮廓度
- ↗ 圆跳动
- ⊕ 位置度
- ⊙ 同轴度
- ≡ 对称度

ASME Y14.5M 1994

CONFIDENTIAL: THIS DRAWING AND ITS INFORMATION ARE THE EXCLUSIVE AND CONFIDENTIAL PROPERTY OF A.O.SMITH CORP. AND ARE NOT TO BE DISCLOSED, DUPLICATED, DISTRIBUTED OR OTHERWISE USED WITHOUT THE WRITTEN CONSENT OF A.O.SMITH CORP. - ALL RIGHTS RESERVED

QUALITY CONTROL NOTE:
 - TO CHECK THE WINDINGS FOR OPENS,
 VERIFY THE CONTINUITY BETWEEN
 (1) THE ORANGE AND RED LEADS.
 (2) THE ORANGE AND YELLOW LEADS.



	DATE	CHANGED FROM	NOTICE	MATERIAL	PROCESS	A.O. SMITH A DIVISION OF A.O. SMITH CORPORATION ELECTRICAL PRODUCTS COMPANY TIPP CITY, OHIO		 COPYRIGHT 1992
				FIRST MODEL F42B10A23	SHEET 1 OF 1	DRAWN BY HEATH	NPN NO. 92AN0904	DESCRIPTION CONNECTION DIAGRAM- EXTERNAL
				NO. OF MODELS	REFERENCE	SCALE NONE	APPROVED BY	REL. DATE 10 / 12 / 92
				LIMITS UNLESS OTHERWISE SPECIFIED: FRACTIONS ± NONE ANGLES ± NONE DECIMALS ± NONE		GROUP CODE FR42	FILE CODE CONEXT	PART NO. 621668

* CADAM DWG. -DO NOT ALTER