

PRODUCT INFORMATION PACKET



Model No: OHS1016
Catalog No: OHS1016
1/5 HP OEM Replacement Motor, 1075 RPM, 230 Volts, 48 Frame, Semi Enclosed
OEM Replacement Motors



Regal and Century are trademarks of Regal Rexnord Corporation or one of its affiliated companies.
©2021 Regal Rexnord Corporation, All Rights Reserved. MC017097E





Nameplate Specifications

Output HP	1/5 Hp	Output KW	0.15 kW
Frequency	60 Hz	Voltage	230 V
Current	1.6 A	Speed	1075 rpm
Service Factor	1	Phase	1
Duty	Air Over	Insulation Class	B
Frame	48Y	Enclosure	Semi Enclosed
Thermal Protection	Automatic	Ambient Temperature	60 °C
UL	Recognized	CSA	Y
CE	N	Number of Speeds	1

Technical Specifications

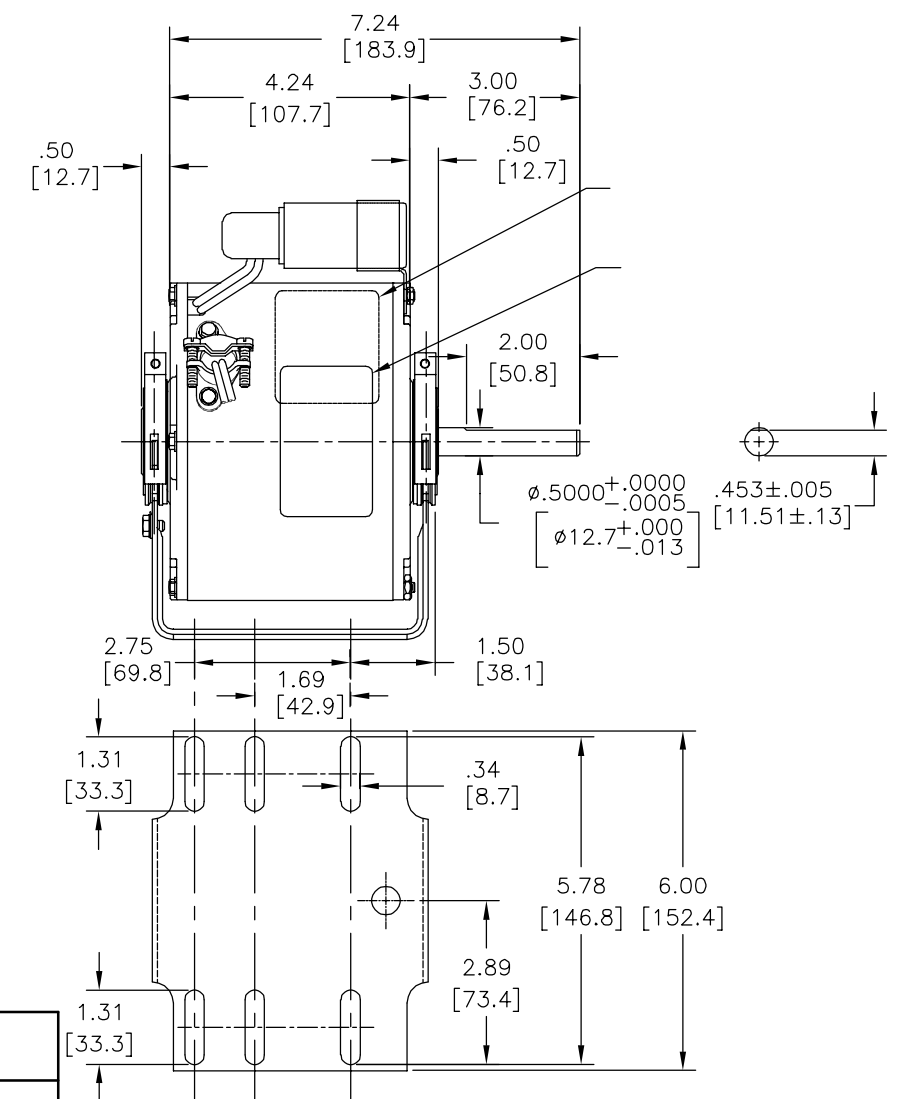
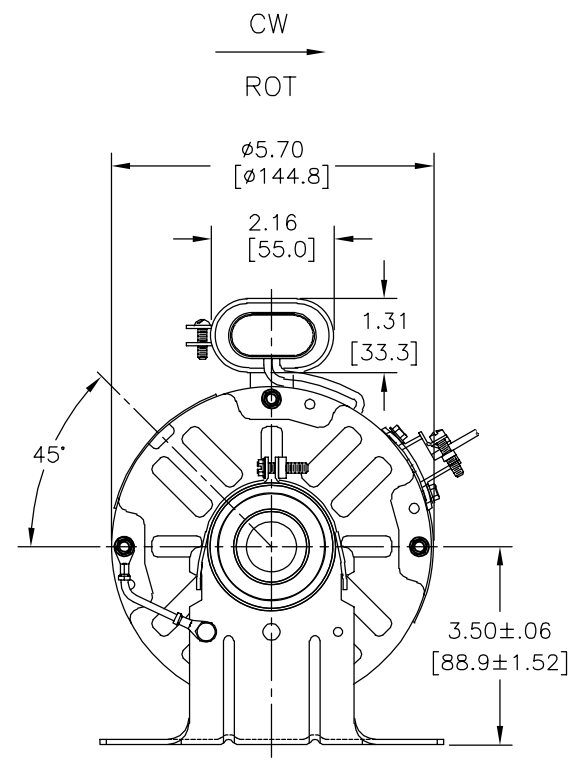
Electrical Type	Permanent Split Capacitor	Starting Method	Across The Line
Poles	6	Rotation	Clockwise Lead End
Mounting	Resilient Base	Motor Orientation	Horizontal
Drive End Bearing	Sleeve	Opp Drive End Bearing	Sleeve
Frame Material	Rolled Steel	Shaft Type	Flat
Overall Length	7.74 in	Frame Length	3.63 in
Shaft Diameter	0.500 in	Shaft Extension	3 in
Outline Drawing	F48SH6L6-S01	Connection Drawing	614131-230

This is an uncontrolled document once printed or downloaded and is subject to change without notice. Date Created:10/12/2021

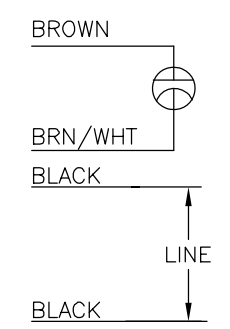
4 3 2 1

版本	ECO	编制	日期	批准	日期
C	ECO-0034278	A.RODRIGUEZ	07-02-2013	D.MUÑOZ	07-02-2013

.001 [.03] T.I.R. PER INCH[25.4mm]
LENGTH OF EXTENSION



MODEL NO.: F48SH6L6
CUST. P/N: []
HP: 1/5
ROT.: CWLE
RPM: 1075
TYPE: UF
FRAME: 48Y
VOLTS: 230
PH: 1
AMPS: 1.6
HZ: 60
INS.: B
AMB.: 60°C
DUTY: AIR OVER
CAP.: 5 MFD/370V
ENCL: SEMI-ENCLOSED
UL LOGO
CSA LOGO
THERMALLY PROTECTED



614131-230

	17.0/19.0 [432/183]	
	17.0/19.0 [432/183]	

DISTRIBUTION SERVICES

C23882	23.7 OZ. FT.	EX11951	E46412	PRGY2	LR43341	4211-01
--------	--------------	---------	--------	-------	---------	---------

- 形位公差
- 平面度
- 直线度
- ∠ 倾斜度
- ⊥ 垂直度
- // 平行度
- 圆度
- ⊘ 圆柱度
- ⊖ 面轮廓度
- ⌒ 线轮廓度
- ↻ 圆跳动
- ⊕ 位置度
- ⊙ 同轴度
- ≡ 对称度

ASME Y14.5M 1994

REGAL-BELOIT CORPORATION (RBC) 在个别领域为客户提供技术支持。鉴于RBC未收到任何涉及电机使用和应用环境的数据，电机的适用性由客户自己决定。

未注公差尺寸仅供参考。

绘图:	AS	02-23-2011
批准:	BS	02-23-2011
第三角投影		图纸格式发布日期 11-11-2011 图纸格式版本 H
机密: 本图纸及相关信息所有权归REGAL-BELOIT CORPORATION。未经REGAL-BELOIT CORPORATION书面授权, 不得泄露、复制或传播或作其他用途。—版权所有		

		REGAL-BELOIT CORPORATION	
名称 MODEL-RFHP-48FR OUTLINE			
图幅 C	图号 F48SH616		
比例 NONE	页号 1		

4 3 2 1

4

3

2

1

REV	ECO	REV BY	DATE	APPD	DATE
C	ECO-0034278	A.RODRIGUEZ	07-02-2013	D.MUÑOZ	07-02-2013

GENERAL INFORMATION:

SHAFT RUNOUT: .001 [.03] T.I.R. PER INCH[25.4mm]
LENGTH OF EXTENSION

END PLAY: .010[.25] TO .060[1.52]

BEARINGS: SLEEVE

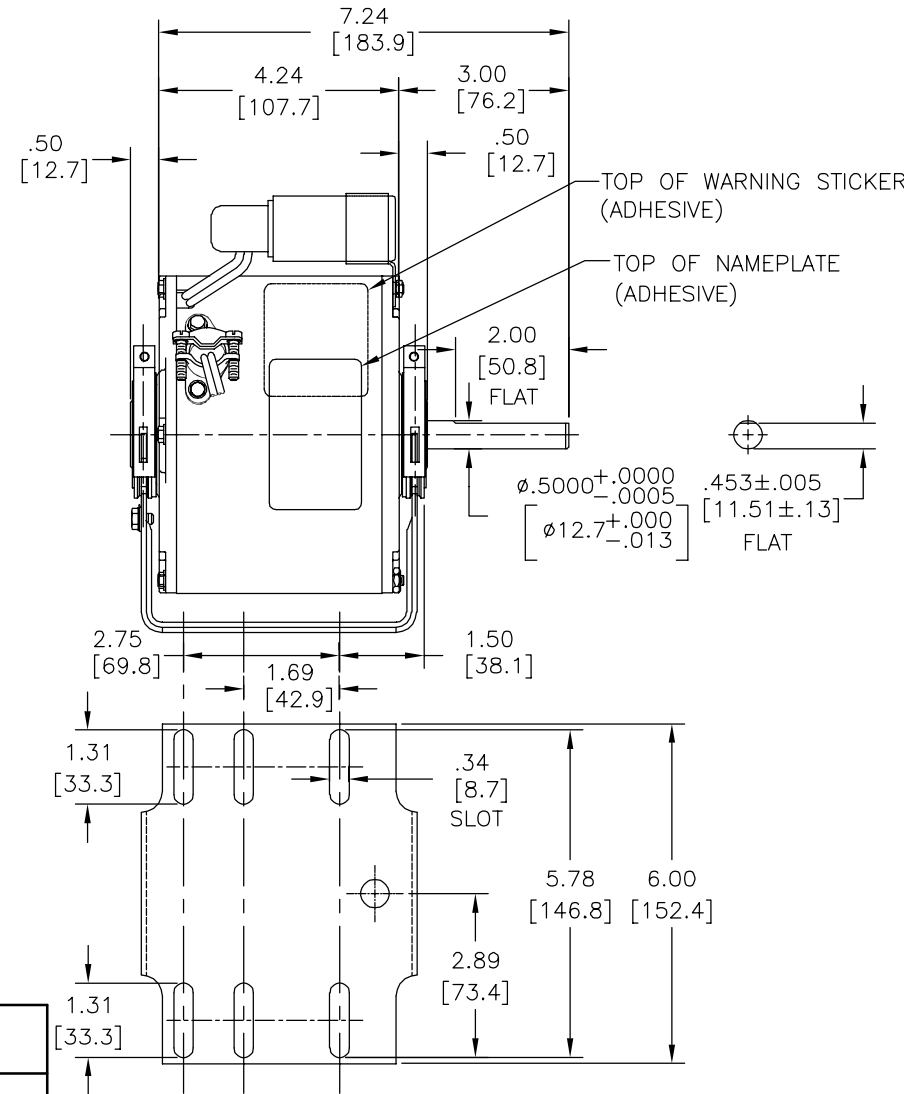
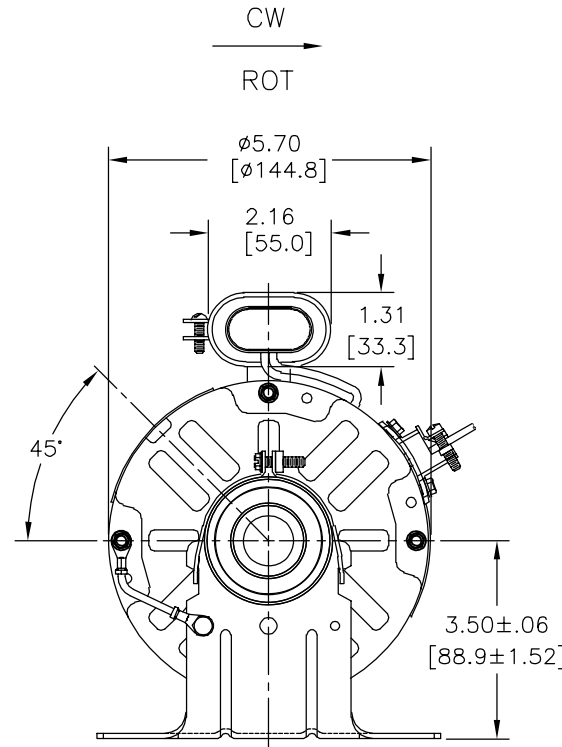
MOUNTING POSITION: HORIZONTAL

ELECTRICAL DATA:

OVERLOAD PROTECTOR: AUTOMATIC RESET (SENSATA 7AM 036)

LEADS: NO. 18 GA. .03[.8] XLP, 125' INSUL.

GROUND LEAD: NO. 18 GA. .03[.8] THICK, (GREEN) INSUL.



NOTE:
1. DISTRIBUTION PART NUMBER: OHS1016

SEE NOTE 1

NAMEPLATE DATA:	EXTERNAL CONNECTION DIAGRAM
MODEL NO.: F48SH6L6 CUST. P/N: [] HP: 1/5 ROT.: CWLE RPM: 1075 TYPE: UF FRAME: 48Y VOLTS: 230 PH: 1 AMPS: 1.6 HZ: 60 INS.: B AMB.: 60°C DUTY: AIR OVER CAP.: 5 MFD/370V ENCL: SEMI-ENCLOSED UL LOGO CSA LOGO THERMALLY PROTECTED	

BRN/WHT	CONNECTED TO CAPACITOR	.25[6.4] FLAG
BROWN	CONNECTED TO CAPACITOR	.25[6.4] FLAG
GREEN (GRD)	CONNECTED TO BASE	#10 EYELET
BLACK	17.0/19.0 [432/183]	.75[19.0] SKIN
BLACK	17.0/19.0 [432/183]	.75[19.0] SKIN
COLOR	LENGTH	TERMINAL OR STRIP LENGTH

MAIN FR.-OLE	ENCLOSED
END FR.-OLE	OPEN
MAIN FR.-LE	ENCLOSED
END FR.-LE	OPEN

CUSTOMER	DISTRIBUTION SERVICES
----------	-----------------------

PERFORMANCE CURVE NO.	TORQUE @ 1075 RPM (25°C)	APPROVED SAMPLE	UL COMPONENT FILE #	CCN #	CSA FILE #	CLASS #
C23882	23.7 OZ. FT.	EX11951	E46412	PRGY2	LR43341	4211-01

GEOMETRIC CHARACTERISTICS & SYMBOLS

- FLATNESS
- STRAIGHTNESS
- ∠ ANGULARITY
- ⊥ PERPENDICULARITY (SQUARENESS)
- ∥ PARALLELISM
- ROUNDNESS (CIRCULARITY)
- ⊘ CYLINDRICITY
- △ PROFILE OF ANY SURFACE
- ∩ PROFILE OF ANY LINE
- ↗ RUNOUT
- ⊕ TRUE POSITION
- ⊙ CONCENTRICITY
- ≡ SYMMETRY

ASME Y14.5M 1994

REGAL-BELOIT CORPORATION (RBC) PROVIDES TECHNICAL ASSISTANCE TO OUR CUSTOMERS IN SEVERAL AREAS. SINCE RBC DOES NOT RECEIVE ALL DATA CONCERNING THE USE AND APPLICATION OF THE MOTOR, THE SUITABILITY OF THE MOTOR FOR THE APPLICATION MUST BE DETERMINED BY THE CUSTOMER.

DIMENSIONS WITHOUT TOLERANCES ARE FOR REFERENCE ONLY.

DR BY: AS 02-23-2011

APPD: BS 02-23-2011

THIRD ANGLE PROJECTION

EDS DATE 11-11-2011
FORMAT REV H

CONFIDENTIAL: THIS DRAWING AND ITS INFORMATION ARE THE EXCLUSIVE AND CONFIDENTIAL PROPERTY OF REGAL-BELOIT CORPORATION AND ARE NOT TO BE DISCLOSED, DUPLICATED, DISTRIBUTED OR OTHERWISE USED WITHOUT THE WRITTEN CONSENT OF REGAL-BELOIT CORPORATION. -ALL RIGHTS RESERVED.

REGAL REGAL-BELOIT CORPORATION

DESCRIPTION: MODEL-RFHP-48FR OUTLINE

SIZE: C DWG NO: F48SH616

SCALE: NONE SHEET: 1

4

3

2

1

4

3

2

1

REVISION:	ECO	REVISADO POR:	FECHA:	APROBADO POR:	FECHA:
C	ECO-0034278	A.RODRIGUEZ	07-02-2013	D.MUÑOZ	07-02-2013

INFORMACION GENERAL:

OSCILACION DE FLECHA: .001 [.03] T.I.R. PER INCH[25.4mm]
LENGTH OF EXTENSION

JUEGO AXIAL: -

BALEROS: -

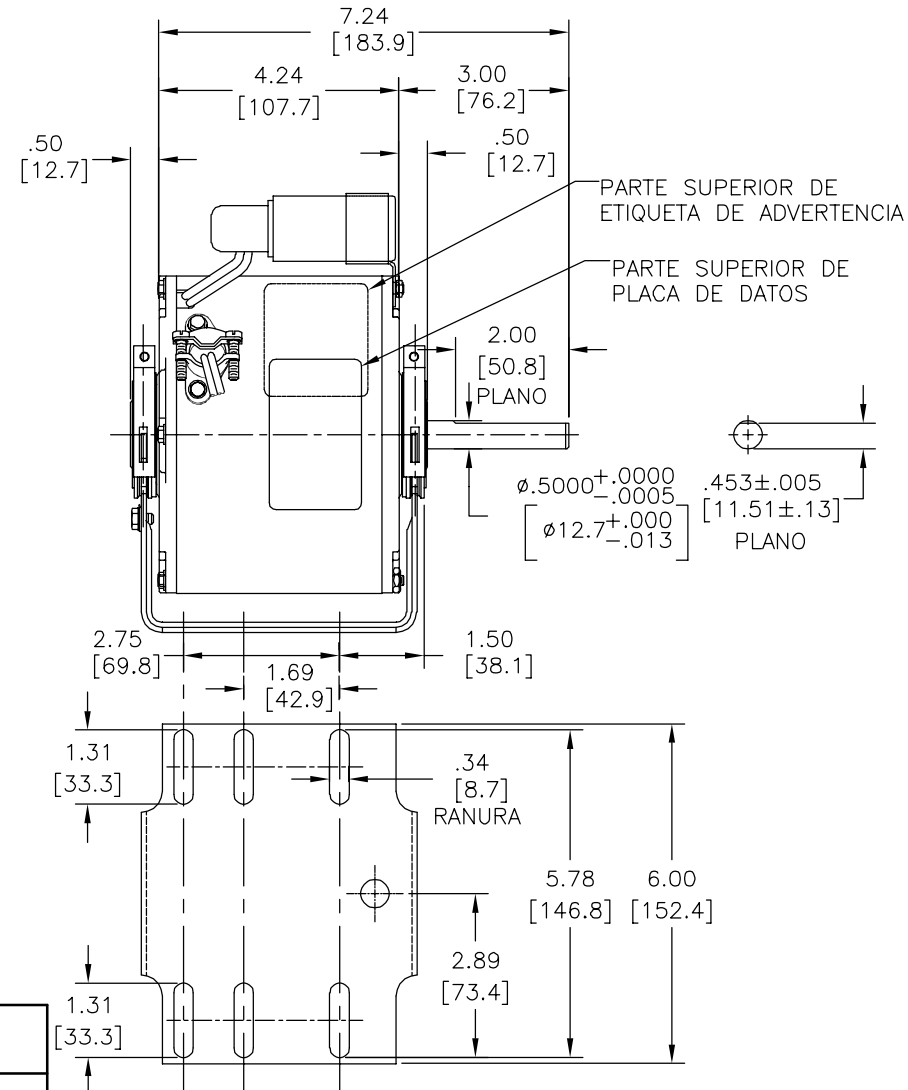
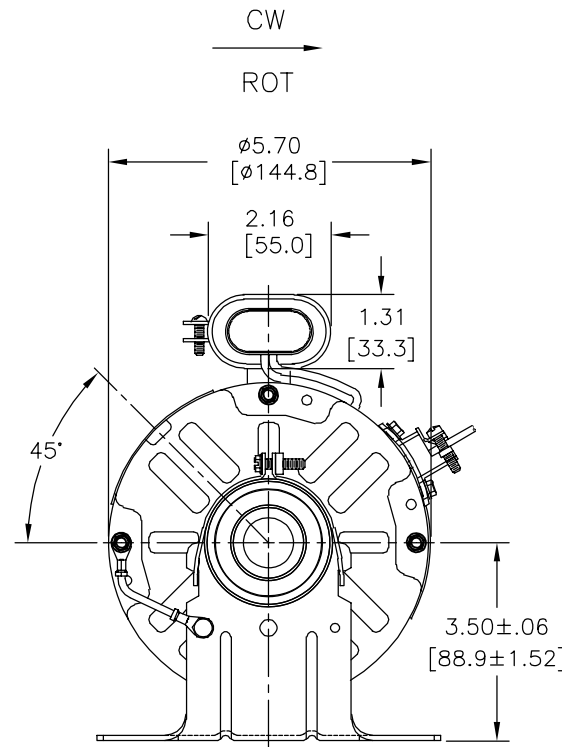
POSICION DEL MONTAJE:

INFORMACION ELECTRICA:

PROTECTOR DE SOBRECARGA: -

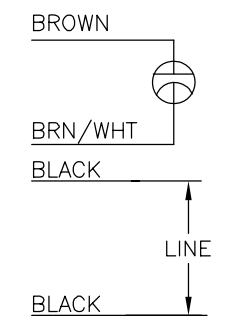
CABLES: -

CABLE DE TIERRA: -



INFORMACION DE ETIQUETA: DIAGRAMA DE CONEXION EXTRNA

MODEL NO.: F48SH6L6
CUST. P/N: []
HP: 1/5
ROT.: CWLE
RPM: 1075
TYPE: UF
FRAME: 48Y
VOLTS: 230
PH: 1
AMPS: 1.6
HZ: 60
INS.: B
AMB.: 60°C
DUTY: AIR OVER
CAP.: 5 MFD/370V
ENCL: SEMI-ENCLOSED
UL LOGO
CSA LOGO
THERMALLY PROTECTED



614131-230

VERDE (TIERRA)	CONECTADO A LA BASE	OJAL #10
NEGRO	17.0/19.0 [432/183]	.75[19.0] DESFORRE
NEGRO	17.0/19.0 [432/183]	.75[19.0] DESFORRE
COLOR	LONGITUD	TERMINAL O LONGITUD DE DESFORRE

CARCAZA-OLE	CERRADO
TAPA-OLE	ABIERTO
CARCAZA-LE	CERRADO
TAPA-LE	ABIERTO

CLIENTE	DISTRIBUTION SERVICES
---------	-----------------------

CURVAS DE FUNCIONAMIENTO	TORSION @ 825 RPM (25°C)	MUESTRA APROBADA	COMPONENTE UL	CSA
C23882	23.7 OZ. FT.	EX11951	#ARCHIVO CCN # #ARCHIVO CLASE #	LR43341 4211-01

CARACTERISTICAS DE GEOMETRIA Y SIMBOLOS
 □ PLANICIDAD
 ⊥ RECTITUD
 ∠ ANGULARIDAD
 ⊥ PERPENDICULARIDAD (A ESCUADRA)
 // PARALELISMO
 ○ REDONDEZ (CIRCULARIDAD)
 ∅ CILINDRICIDAD
 △ PERFIL DE CUALQUIER SUPERFICIE
 ∇ PERFIL DE CUALQUIER LINEA
 ↗ VARIACION
 ⊕ POSICION REAL
 ⊙ CONCENTRICIDAD
 = SIMETRIA
 ASME Y14.5M 1994

REGAL-BELOIT CORPORATION (RBC) PROVEE ASISTENCIA TECNICA A NUESTROS CLIENTES EN VARIAS AREAS. DESDE QUE RBC NO RECIBE TODOS LOS DATOS EN RELACION AL USO Y A LA APLICACION DEL MOTOR, LA APLICACION ADECUADA DEL MOTOR DEBE SER DETERMINADA POR EL CLIENTE.
 DIMENSIONES SIN TOLERANCIA SON DE REFERENCIA SOLAMENTE

DIBUJADO POR: AS 02-23-2011
 APROBADO POR: BS 02-23-2011
 TERCER ANGULO DE PROYECCION
 FECHA EDS: 11-11-2011
 REV. FORMATO: H
 CONFIDENCIAL: ESTE DIBUJO Y SU INFORMACION SON PROPIEDAD DE USO EXCLUSIVO Y CONFIDENCIAL DE REGAL-BELOIT CORPORATION. Y NO DEBERAN SER REVELADOS, DUPLICADOS, DISTRIBUIDOS O USARSE DE OTRA MANERA SIN EL CONSENTIMIENTO ESCRITO DE REGAL-BELOIT CORPORATION. -TODOS LOS DERECHOS RESERVADOS.

REGAL REGAL-BELOIT CORPORATION
 DESCRIPCION: MODEL-RFHP-48FR OUTLINE
 TAMAÑO: C NUMERO DE DIBUJO: F48SH616
 ESCALA: NONE HOJA: 1

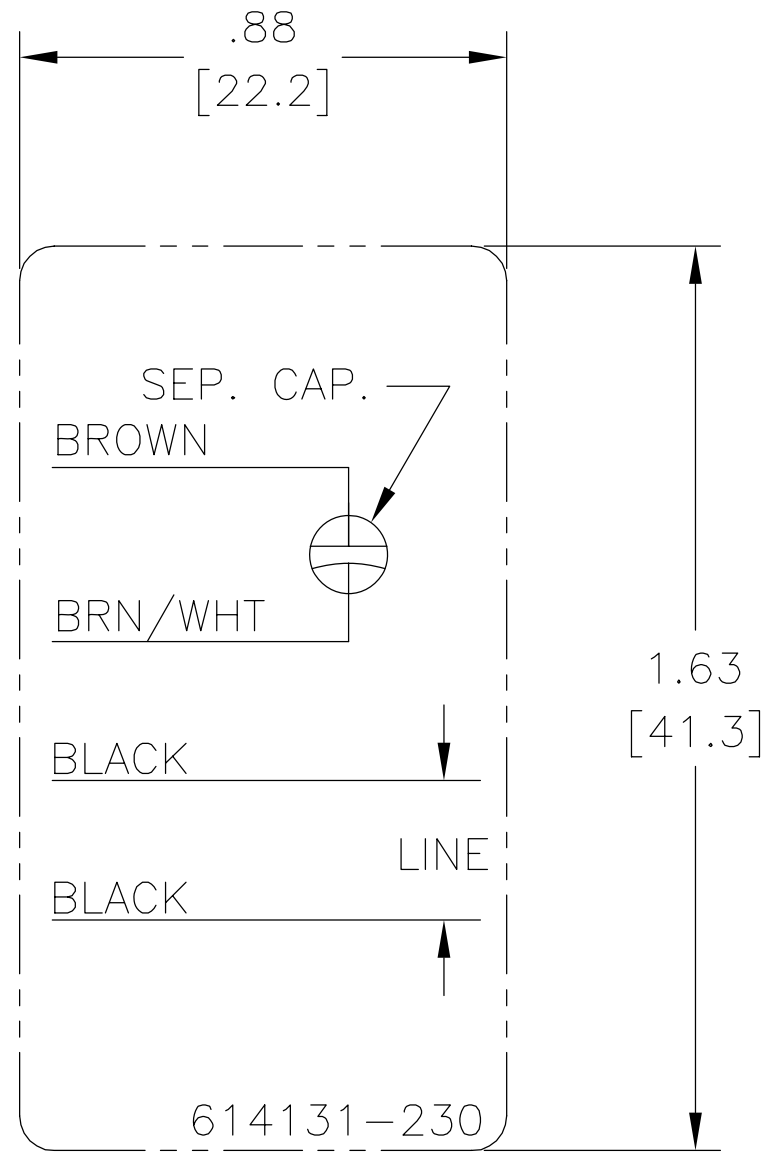
4

3

2

1

REV	ECO	REV BY	DATE	APPD	DATE
B	ECO-0019091	jrupert	03-07-2011	jrupert	03-07-2011




NOTES:

1. FOR USE WITH 614129 NAMEPLATE BLANK
2. — — — — — INDICATES DIMENSION LIMITS
3. DIE TO BE MADE FROM MASTER SUPPLIED BY A. O. SMITH CORPORATION
4. DIE MUST PRODUCE A LEGIBLE IMPRESSION.

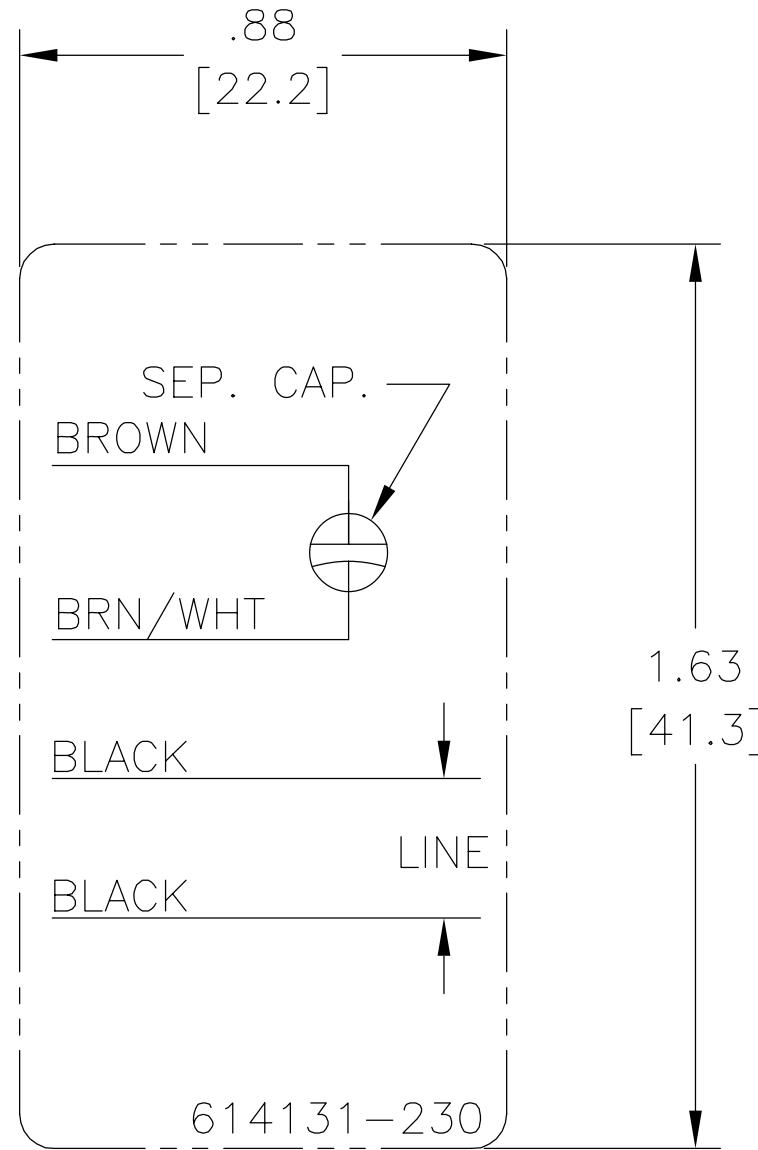
GEOMETRIC CHARACTERISTICS & SYMBOLS
 ▭ FLATNESS
 — STRAIGHTNESS
 < ANGLARITY
 ⊥ PERPENDICULARITY (SQUARENESS)
 // PARALLELISM
 ○ ROUNDNESS (CIRCULARITY)
 ∅ CYLINDRICITY
 △ PROFILE OF ANY SURFACE
 ∩ PROFILE OF ANY LINE
 ↑ RUNOUT
 ⊕ TRUE POSITION
 ◎ CONCENTRICITY
 = SYMMETRY

UNLESS OTHERWISE SPECIFIED
 DIM. TOLERANCES ARE AS FOLLOWS:
 INCH X XX XXX XXXX
 mm ±0.5 ±0.13 ±0.013
 ANG. ±.50 DEG
 REMOVE BURRS & BREAK SHARP EDGES:
 INCH .003-.015 mm 0.1-0.4
 CORNER FILLETS TO:
 INCH .020 mm 0.5
 MACHINE SURFACES:
 INCH 125 mm 3.2
 METRIC DIMS. SHOWN IN [BRACKETS]

DR BY: jrupert 03-07-2011
 APPD: jrupert 03-07-2011
 THIRD ANGLE PROJECTION
 EDS DATE 02-22-2008
 FORMAT REV F
 CONFIDENTIAL: THIS DRAWING AND ITS INFORMATION ARE THE EXCLUSIVE AND CONFIDENTIAL PROPERTY OF A.O. SMITH CORP. AND ARE NOT TO BE DISCLOSED, DUPLICATED, DISTRIBUTED OR OTHERWISE USED WITHOUT THE WRITTEN CONSENT OF A.O. SMITH CORP.
 -ALL RIGHTS RESERVED. ASME Y14.5M 1994

 ELECTRICAL PRODUCTS COMPANY <small>A DIVISION OF A. O. SMITH CORPORATION</small>	
DESCRIPTION CONN DIAGRAM EXTERNAL	
SIZE A	DWG NO 614131-230
SCALE NONE	SHEET 1

REVISION:	ECO	REVISADO POR:	FECHA:	APROBADO POR:	FECHA:
B	ECO-0019091	jrupert	03-07-2011	jrupert	03-07-2011



NOTES:

1. FOR USE WITH 614129 NAMEPLATE BLANK
2. ——— ——— INDICATES DIMENSION LIMITS
3. DIE TO BE MADE FROM MASTER SUPPLIED BY A. O. SMITH CORPORATION
4. DIE MUST PRODUCE A LEGIBLE IMPRESSION.

CARACTERISTICAS DE GEOMETRIA Y SIMBOLOS

- ▭ PLANICIDAD
- RECTITUD
- ∠ ANGULARIDAD
- ⊥ PERPENDICULARIDAD (A ESCUADRA)
- // PARALELISMO
- REDONDEZ (CIRCULARIDAD)
- ⊘ CILINDRICIDAD
- ⊖ PERFIL DE CUALQUIER SUPERFICIE
- ⌒ PERFIL DE CUALQUIER LINEA
- ↑ VARIACION
- ⊕ POSICION REAL
- ◎ CONCENTRICIDAD
- ≡ SIMETRIA

A MENOS QUE SE ESPECIFIQUE DE OTRA MANERA, LAS TOLERANCIAS DE LAS DIMS; SON LAS SIGUIENTES:


	X	XX	XXX	XXXX
PULG	±.1	±.02	±.005	±.0005
mm	±0.5	±0.13	±0.013	

ANG. ±.50 GRADOS
ELIMINAR REBABAS Y ORILLAS FILOSAS DEL BORDE.

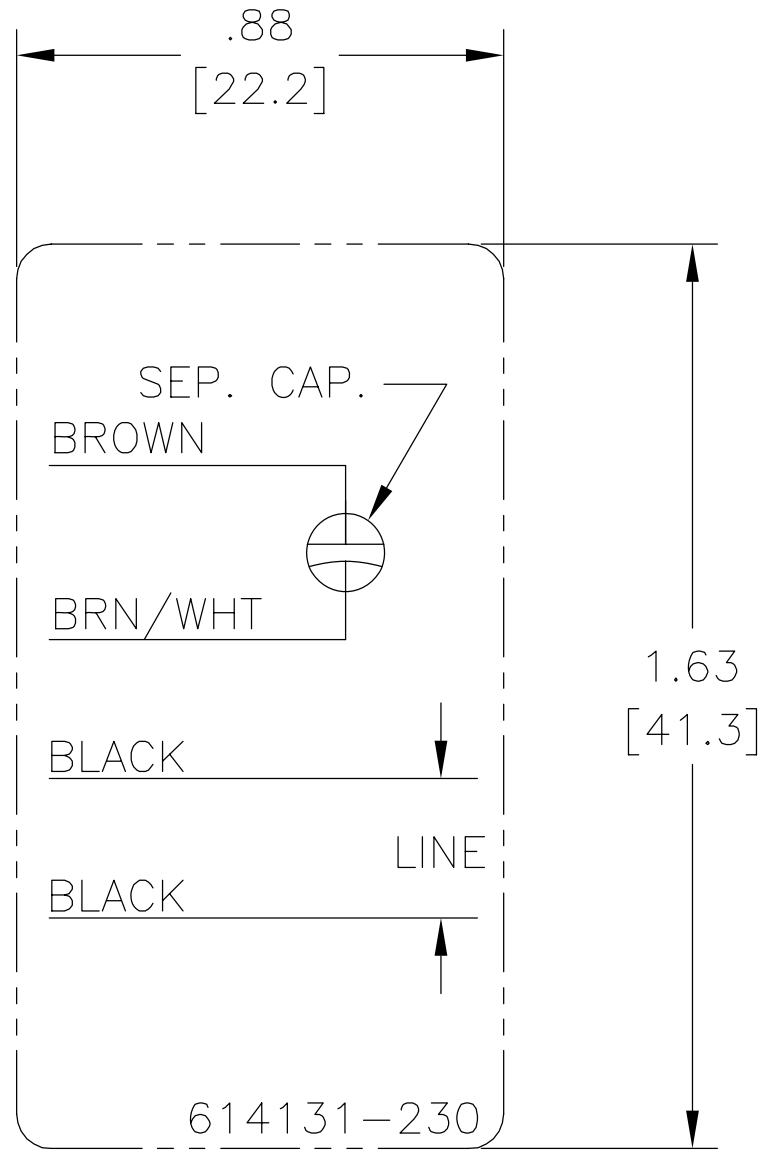
PULG .003-.015 mm 0.1-0.4
FILETEAR ESQUINA: PULG .020 mm 0.5
MAQUINAR SUPERFICIES
PULG 125 mm 3.2

DIMS METRICAS MOSTRADAS [PARENTESIS]

DIBUJADO POR:	jrupert	03-07-2011
APROBADO POR:	jrupert	03-07-2011
TERCER ANGULO DE PROYECCION	⊕	FECHA EDS: 02-22-2008 REV. FORMATO: F
CONFIDENCIAL: ESTE DIBUJO Y SU INFORMACION SON PROPIEDAD DE USO EXCLUSIVO Y CONFIDENCIAL DE A.O.SMITH CORP. Y NO DEBERAN SER REVELADOS, DUPLICADOS, DISTRIBUIDOS O USARSE DE OTRA MANERA SIN EL CONSENTIMIENTO ESCRITO DE A.O. SMITH CORP. -TODOS LOS DERECHOS RESERVADOS.ASME Y14.5M 1994		

 ELECTRICAL PRODUCTS COMPANY <small>A DIVISION OF A. O. SMITH CORPORATION</small>	
DESCRIPCION: CONN DIAGRAM EXTERNAL	
TAMAÑO: A	NUMERO DE DIBUJO: 614131-230
ESCALA:NONE	HOJA: 1

??	ECO	??	??	??
B	ECO-0019091	jrupert	03-07-2011	03-07-2011



NOTES:

1. FOR USE WITH 614129 NAMEPLATE BLANK
2. ———— INDICATES DIMENSION LIMITS
3. DIE TO BE MADE FROM MASTER SUPPLIED BY A. O. SMITH CORPORATION
4. DIE MUST PRODUCE A LEGIBLE IMPRESSION.

<p>□ ???</p> <p>— ???</p> <p>∠ ???</p> <p>⊥ ???</p> <p>// ???</p> <p>○ ???</p> <p>⊗ ???</p> <p>△ ???</p> <p>∩ ???</p> <p>↑ ???</p> <p>⊕ ???</p> <p>⊙ ???</p> <p>≡ ???</p>	<p>?????</p> <p>???????</p> <p>?? X XX XXX XXXX</p> <p>±.1 ±.02 ±.005 ±.0005</p> <p>±.5 ±0.13 ±0.013</p> <p>±.50 ?</p> <p>?? .003-.015 ?? 0.1-0.4</p> <p>?? .020 ?? 0.5</p> <p>?? 125 ?? 3.2</p> <p>??????[]</p>	<p>??:</p> <p>jrupert 03-07-2011</p> <p>??:</p> <p>jrupert 03-07-2011</p> <p>?????</p> <p>⊕ ⊔</p> <p>?????? 02-22-2008</p> <p>?????? F</p> <p>??: ?????????????A.O.SMITH?????</p> <p>??A.O.SMITH????????????????????</p> <p>??????-?????</p> <p>ASME Y14.5M 1994</p>
---	---	--

<p>ACSmith ELECTRICAL PRODUCTS COMPANY</p> <p><i>innovation has a name.</i> A DIVISION OF A. O. SMITH CORPORATION</p>	
<p>CONN DIAGRAM EXTERNAL</p>	
<p>A</p>	<p>614131-230</p>
<p>NONE</p>	<p>1</p>