

# PRODUCT INFORMATION PACKET



Model No: OHS10206  
Catalog No: OHS10206

OEM Replacement Motor, 1/5 HP, 1 Ph, 60 Hz, 208-230 V, 1075 RPM, 1 Speed, 48 Frame, SEMI ENCLOSED



Regal and Century are trademarks of Regal Rexnord Corporation or one of its affiliated companies.  
©2022 Regal Rexnord Corporation, All Rights Reserved. MC017097E





**Nameplate Specifications**

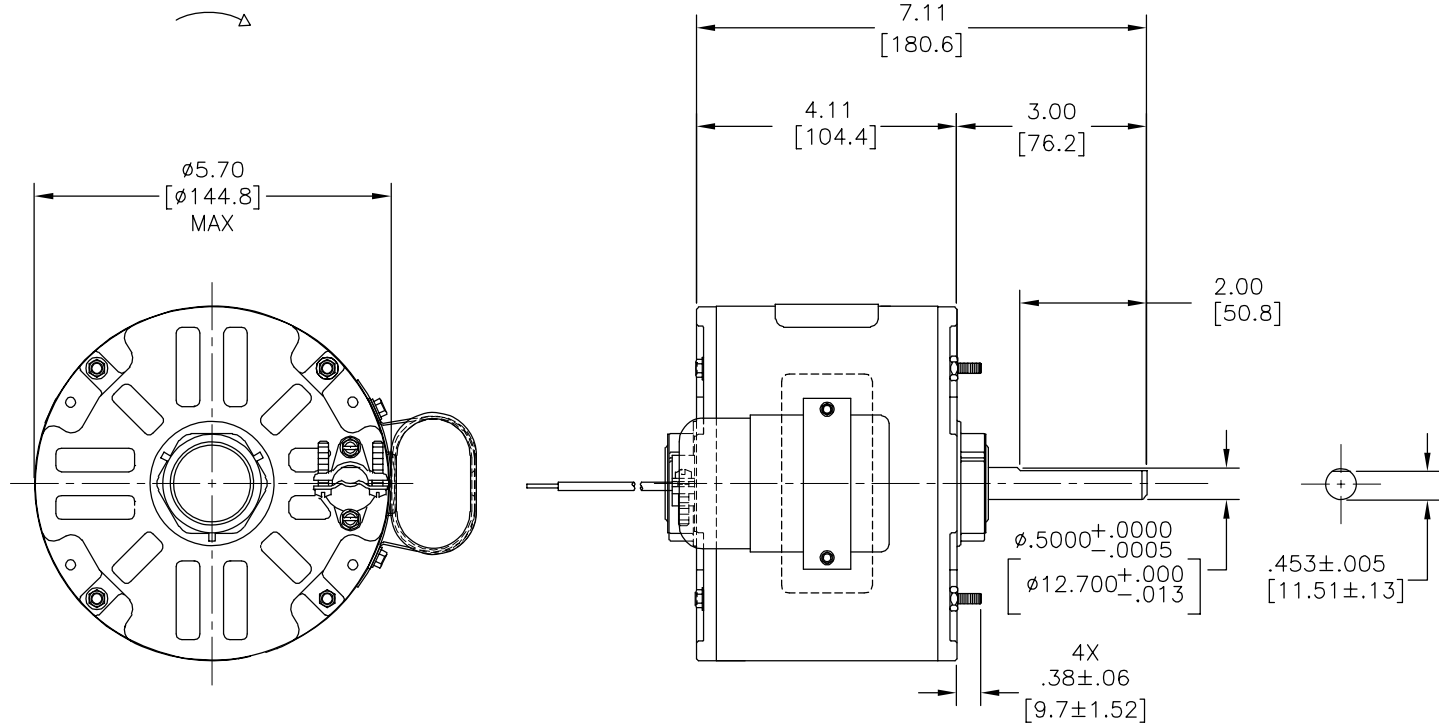
Output HP	1/5 Hp	Output KW	0.15 kW
Frequency	60 Hz	Voltage	208-230 V
Current	1.3-1.4 A	Speed	1075 rpm
Service Factor	1	Phase	1
Duty	Air Over	Insulation Class	B
Frame	48Y	Enclosure	Semi Enclosed
Thermal Protection	Automatic	Ambient Temperature	40 °C
UL	Recognized	CSA	Y
CE	N	Number of Speeds	1

**Technical Specifications**

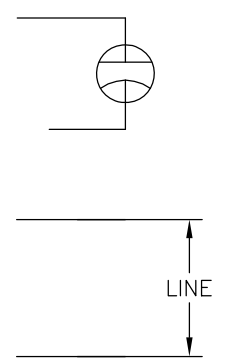
Electrical Type	Permanent Split Capacitor	Starting Method	Across The Line
Poles	6	Rotation	Clockwise Lead End
Mounting	Extended Studs	Motor Orientation	Horizontal
Drive End Bearing	Ball	Opp Drive End Bearing	Ball
Frame Material	Rolled Steel	Shaft Type	Flat
Overall Length	7.63 in	Frame Length	3.50 in
Shaft Diameter	0.500 in	Shaft Extension	3 in
Connection Drawing	614131-230	Outline Drawing	F48V32A01-S01

This is an uncontrolled document once printed or downloaded and is subject to change without notice. Date Created:11/28/2022

版本	ECO	编制	日期	批准	日期
E	ECO-0034278	A.RODRIGUEZ	07-02-2013	D.MUÑOZ	07-02-2013



F48V32A01  
OHS10206  
1/5  
CWLE  
1075  
UF  
48Y  
208-230  
1  
1.3-1.4  
60  
B  
40°C  
5 MFD/370 V



614131-230

	CONNECTED TO CAPACITOR	
	CONNECTED TO CAPACITOR	
	23.0/25.0	
	[584/635]	
	23.0/25.0	
	[584/635]	
	LENGTH	

MAIN FRAME - OLE	
END FRAME - OLE	

C32350	20.6 OZ. FT.	0442614B	E46412	PRGY2	LR43341	4211-01
--------	--------------	----------	--------	-------	---------	---------

- 形位公差
- 平面度
- 直线度
- ∠ 倾斜度
- ⊥ 垂直度
- // 平行度
- 圆度
- ⊘ 圆柱度
- ⊙ 圆跳动
- ⌒ 面轮廓度
- ⌒ 线轮廓度
- ↗ 圆跳动
- ⊕ 位置度
- ⊙ 同轴度
- ≡ 对称度

ASME Y14.5M 1994

REGAL-BELOIT CORPORATION (RBC) 在个别领域为客户提供技术支持。鉴于RBC未收到任何涉及电机使用和应用环境的数据，电机的适用性由客户自己决定。

未注公差尺寸仅供参考。

绘图:	AJB	05-08-2007
批准:	AJB	05-08-2007
第三角投影		图纸格式发布日期 11-11-2011 图纸格式版本 H
机密: 本图纸及相关信息所有权归REGAL-BELOIT CORPORATION。未经REGAL-BELOIT CORPORATION书面授权, 不得泄露、复制、传播或作其他用途。—版权所有		

<b>REGAL</b> REGAL-BELOIT CORPORATION	
名称	MODEL-RFHP-48FR OUTLINE
图幅	C
图号	F48V32A01
比例	NONE
页号	1

4

3

2

1

REV	ECO	REV BY	DATE	APPD	DATE
E	ECO-0034278	A.RODRIGUEZ	07-02-2013	D.MUÑOZ	07-02-2013

GENERAL INFORMATION:

SHAFT RUNOUT: .001[.03] T.I.R. PER INCH LENGTH OF EXTENSION

BEARINGS: BALL

MOUNTING POSITION: HORIZONTAL

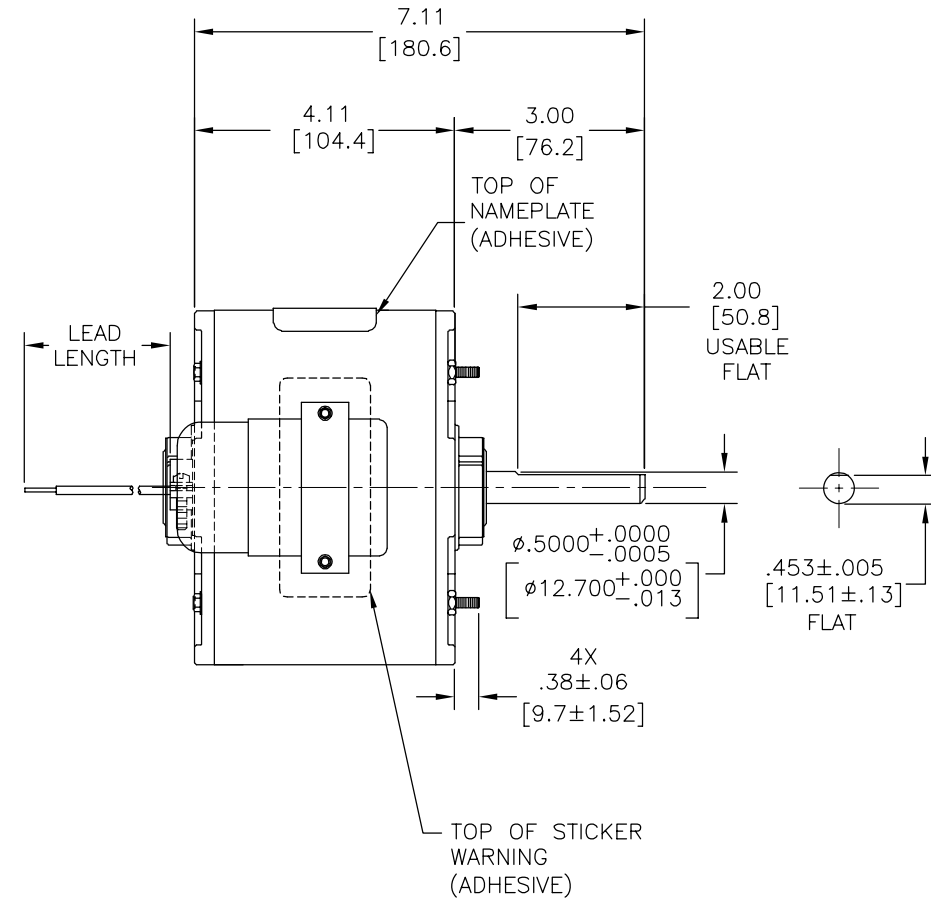
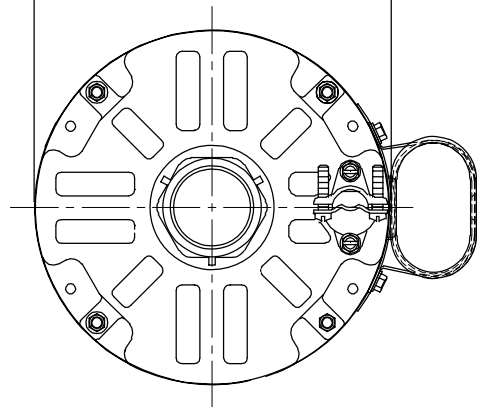
ELECTRICAL DATA:

OVERLOAD PROTECTOR: AUTOMATIC RESET (SENSATA 7AM 036)

LEADS: NO. 18 GA., .03[.8] THK. 125°C INSUL.

CWLE  
ROT.  $\Delta$

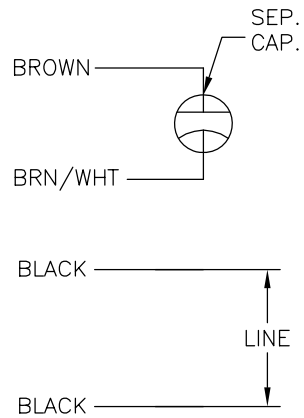
$\phi 5.70$   
[ $\phi 144.8$ ]  
MAX



NAMEPLATE DATA:

EXTERNAL CONNECTION DIAGRAM

MODEL NO.: F48V32A01  
CUST. P/N: OHS10206  
HP: 1/5  
ROT.: CWLE  
RPM: 1075  
TYPE: UF  
FRAME: 48Y  
VOLTS: 208-230  
PH: 1  
AMPS: 1.3-1.4  
HZ: 60  
INS.: B  
AMB.: 40°C  
DUTY: AIR OVER  
CODE: -  
CAP.: 5 MFD/370 V  
ENCL: SEMI-ENCL  
UL LOGO  
CSA LOGO  
THERMALLY PROTECTED



614131-230

BROWN/WHITE	CONNECTED TO CAPACITOR	.25 [6.4] FLAG
BROWN	CONNECTED TO CAPACITOR	.25 [6.4] FLAG
BLACK	23.0/25.0 [584/635]	.50 [12.7] STRIP
BLACK	23.0/25.0 [584/635]	.50 [12.7] STRIP
COLOR	LENGTH	TERMINAL OR STRIP LENGTH

MAIN FRAME - OLE	ENCLOSED
END FRAME - OLE	OPEN
MAIN FRAME - LE	ENCLOSED
END FRAME - LE	OPEN

CUSTOMER	DISTRIBUTION SERVICES
----------	-----------------------

PREFORMANCE CURVE NO.	TORQUE @1075 RPM (25°C)	APPROVED SAMPLE	UL COMPONENT FILE #	CCN #	CSA FILE #	CLASS #
C32350	20.6 OZ. FT.	0442614B	E46412	PRGY2	LR43341	4211-01

GEOMETRIC CHARACTERISTICS & SYMBOLS  
 □ FLATNESS  
 - STRAIGHTNESS  
 < ANGLARITY  
 ⊥ PERPENDICULARITY (SQUARENESS)  
 // PARALLELISM  
 ○ ROUNDNESS (CIRCULARITY)  
 ⌀ CYLINDRICITY  
 △ PROFILE OF ANY SURFACE  
 ∩ PROFILE OF ANY LINE  
 ∠ RUNOUT  
 ⊕ TRUE POSITION  
 ⊙ CONCENTRICITY  
 = SYMMETRY  
 ASME Y14.5M 1994

REGAL-BELOIT CORPORATION (RBC) PROVIDES TECHNICAL ASSISTANCE TO OUR CUSTOMERS IN SEVERAL AREAS. SINCE RBC DOES NOT RECEIVE ALL DATA CONCERNING THE USE AND APPLICATION OF THE MOTOR, THE SUITABILITY OF THE MOTOR FOR THE APPLICATION MUST BE DETERMINED BY THE CUSTOMER.

DIMENSIONS WITHOUT TOLERANCES ARE FOR REFERENCE ONLY.

DR BY: AJB 05-08-2007  
 APPD: AJB 05-08-2007  
 THIRD ANGLE PROJECTION  
 EDS DATE 11-11-2011  
 FORMAT REV H  
 CONFIDENTIAL: THIS DRAWING AND ITS INFORMATION ARE THE EXCLUSIVE AND CONFIDENTIAL PROPERTY OF REGAL-BELOIT CORPORATION AND ARE NOT TO BE DISCLOSED, DUPLICATED, DISTRIBUTED OR OTHERWISE USED WITHOUT THE WRITTEN CONSENT OF REGAL-BELOIT CORPORATION. -ALL RIGHTS RESERVED.

**REGAL** REGAL-BELOIT CORPORATION

DESCRIPTION	MODEL-RFHP-48FR OUTLINE
SIZE	C
DWG NO	F48V32A01
SCALE	NONE
SHEET	1

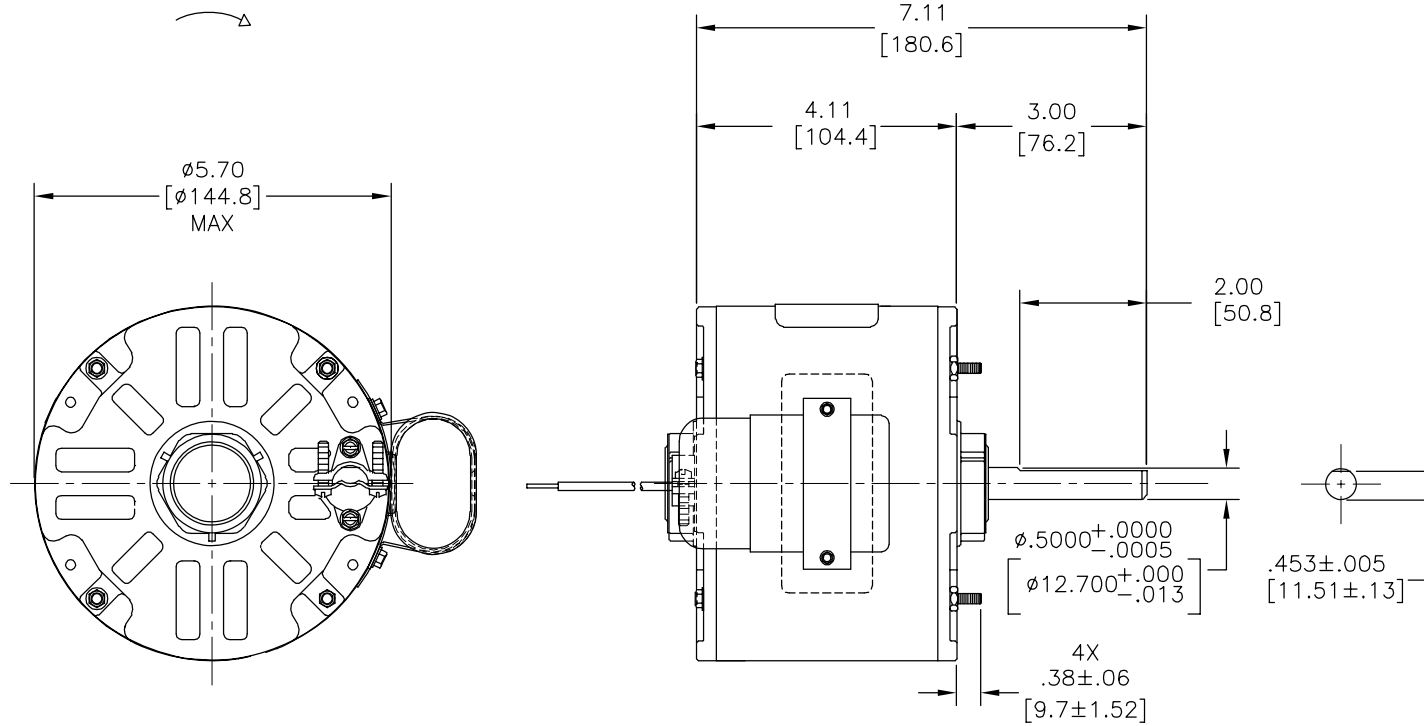
4

3

2

1

REVISION:	ECO	REVISADO POR:	FECHA:	APROBADO POR:	FECHA:
E	ECO-0034278	A.RODRIGUEZ	07-02-2013	D.MUÑOZ	07-02-2013



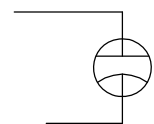
F48V32A01  
OHS10206

1/5  
CWLE  
1075  
UF  
48Y  
208-230

1  
1.3-1.4

60  
B  
40°C

5 MFD/370 V



LINE

614131-230

	CONNECTED TO	
	CAPACITOR	
	CONNECTED TO	
	CAPACITOR	
	23.0/25.0	
	[584/635]	
	23.0/25.0	
	[584/635]	
	LENGTH	

MAIN FRAME - OLE	
END FRAME - OLE	

C32350	20.6 OZ. FT.	0442614B	E46412	PRGY2	LR43341	4211-01
--------	--------------	----------	--------	-------	---------	---------

CARACTERISTICAS DE GEOMETRIA Y SIMBOLOS

- ▢ PLANICIDAD
- RECTITUD
- ∠ ANGULARIDAD
- ⊥ PERPENDICULARIDAD (A ESCUADRA)
- // PARALELISMO
- REDONDEZ (CIRCULARIDAD)
- ⊘ CILINDRICIDAD
- △ PERFIL DE CUALQUIER SUPERFICIE
- ∩ PERFIL DE CUALQUIER LINEA
- ↕ VARIACION
- ⊕ POSICION REAL
- ◎ CONCENTRICIDAD
- = SIMETRIA

ASME Y14.5M 1994

REGAL-BELOIT CORPORATION (RBC)  
PROVEE ASISTENCIA TECNICA A  
NUESTROS CLIENTES EN VARIAS AREAS.  
DESDE QUE RBC NO RECIBE TODOS  
LOS DATOS EN RELACION AL USO Y A  
LA APLICACION DEL MOTOR, LA  
APLICACION ADECUADA DEL MOTOR  
DEBE SER DETERMINADA POR EL  
CLIENTE.

DIMENSIONES SIN TOLERANCIA SON  
DE REFERENCIA SOLAMENTE

DIBUJADO POR:	AJB	05-08-2007
APROBADO POR:	AJB	05-08-2007
TERCER ANGULO DE PROYECCION	⊕	FECHA EDS: 11-11-2011 REV. FORMATO: H

CONFIDENCIAL: ESTE DIBUJO Y SU INFORMACION  
SON PROPIEDAD DE USO EXCLUSIVO Y CONFIDENCIAL DE  
REGAL-BELOIT CORPORATION. Y NO DEBERAN SER REVELADOS,  
DUPLICADOS, DISTRIBUIDOS O USARSE DE OTRA MANERA  
SIN EL CONSENTIMIENTO ESCRITO DE REGAL-BELOIT  
CORPORATION. -TODOS LOS DERECHOS RESERVADOS.

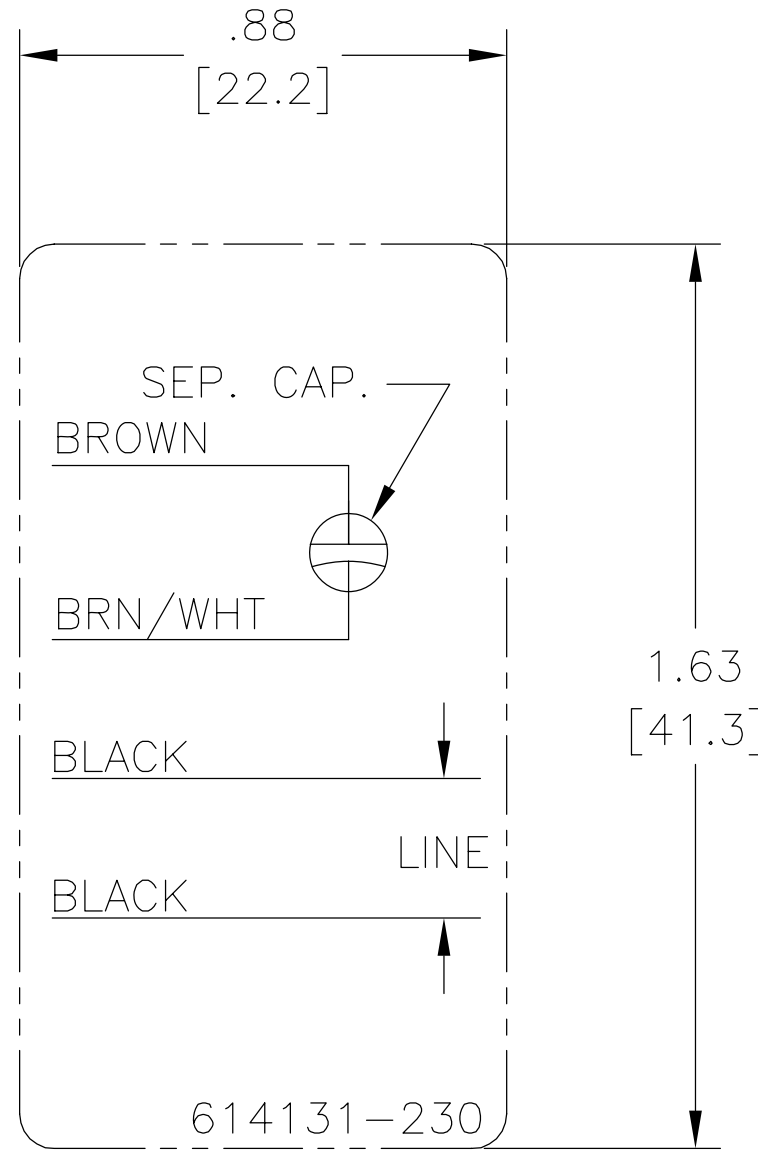
**REGAL** REGAL-BELOIT CORPORATION

DESCRIPCION:  
MODEL-RFHP-48FR  
OUTLINE

TAMAÑO: C NUMERO DE DIBUJO:  
F48V32A01

ESCALA: NONE HOJA: 1

REV	ECO	REV BY	DATE	APPD	DATE
B	ECO-0019091	jrupert	03-07-2011	jrupert	03-07-2011




NOTES:

1. FOR USE WITH 614129 NAMEPLATE BLANK
2. ——— ——— INDICATES DIMENSION LIMITS
3. DIE TO BE MADE FROM MASTER SUPPLIED BY A. O. SMITH CORPORATION
4. DIE MUST PRODUCE A LEGIBLE IMPRESSION.

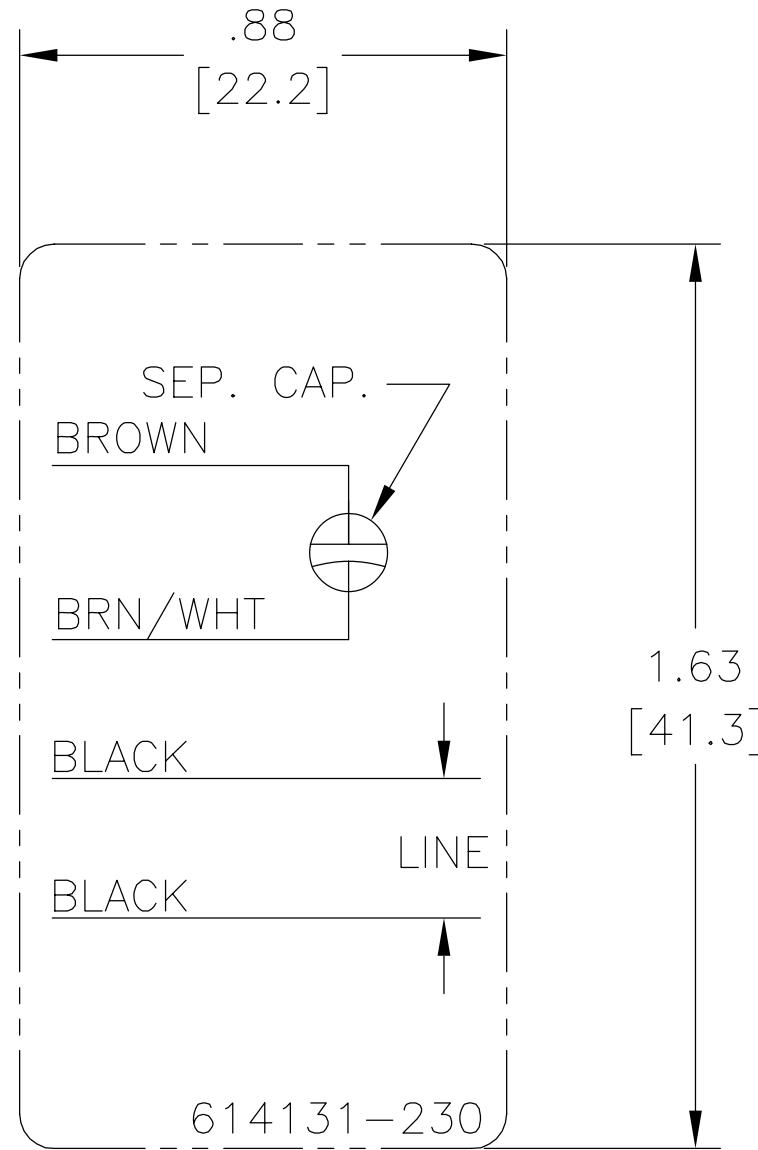
GEOMETRIC CHARACTERISTICS & SYMBOLS  
 ▭ FLATNESS  
 — STRAIGHTNESS  
 < ANGLARITY  
 ⊥ PERPENDICULARITY (SQUARENESS)  
 // PARALLELISM  
 ○ ROUNDNESS (CIRCULARITY)  
 ∅ CYLINDRICITY  
 △ PROFILE OF ANY SURFACE  
 ∩ PROFILE OF ANY LINE  
 ↑ RUNOUT  
 ⊕ TRUE POSITION  
 ◎ CONCENTRICITY  
 = SYMMETRY

UNLESS OTHERWISE SPECIFIED  
 DIM. TOLERANCES ARE AS FOLLOWS:  
 INCH X XX XXX XXXX  
 ±.1 ±.02 ±.005 ±.0005  
 mm ±0.5 ±0.13 ±0.013  
 ANG. ±.50 DEG  
 REMOVE BURRS & BREAK SHARP EDGES:  
 INCH .003-.015 mm 0.1-0.4  
 CORNER FILLETS TO:  
 INCH .020 mm 0.5  
 MACHINE SURFACES:  
 INCH 125 mm 3.2  
 METRIC DIMS. SHOWN IN [BRACKETS]

DR BY: jrupert 03-07-2011  
 APPD: jrupert 03-07-2011  
 THIRD ANGLE PROJECTION  
 EDS DATE 02-22-2008  
 FORMAT REV F  
 CONFIDENTIAL: THIS DRAWING AND ITS INFORMATION ARE THE EXCLUSIVE AND CONFIDENTIAL PROPERTY OF A.O. SMITH CORP. AND ARE NOT TO BE DISCLOSED, DUPLICATED, DISTRIBUTED OR OTHERWISE USED WITHOUT THE WRITTEN CONSENT OF A.O. SMITH CORP.  
 -ALL RIGHTS RESERVED. ASME Y14.5M 1994

 <b>ELECTRICAL PRODUCTS COMPANY</b> <small>A DIVISION OF A. O. SMITH CORPORATION</small>	
DESCRIPTION CONN DIAGRAM EXTERNAL	
SIZE A	DWG NO 614131-230
SCALE NONE	SHEET 1

REVISION:	ECO	REVISADO POR:	FECHA:	APROBADO POR:	FECHA:
B	ECO-0019091	jrupert	03-07-2011	jrupert	03-07-2011



NOTES:

1. FOR USE WITH 614129 NAMEPLATE BLANK
2. ——— ———— INDICATES DIMENSION LIMITS
3. DIE TO BE MADE FROM MASTER SUPPLIED BY A. O. SMITH CORPORATION
4. DIE MUST PRODUCE A LEGIBLE IMPRESSION.

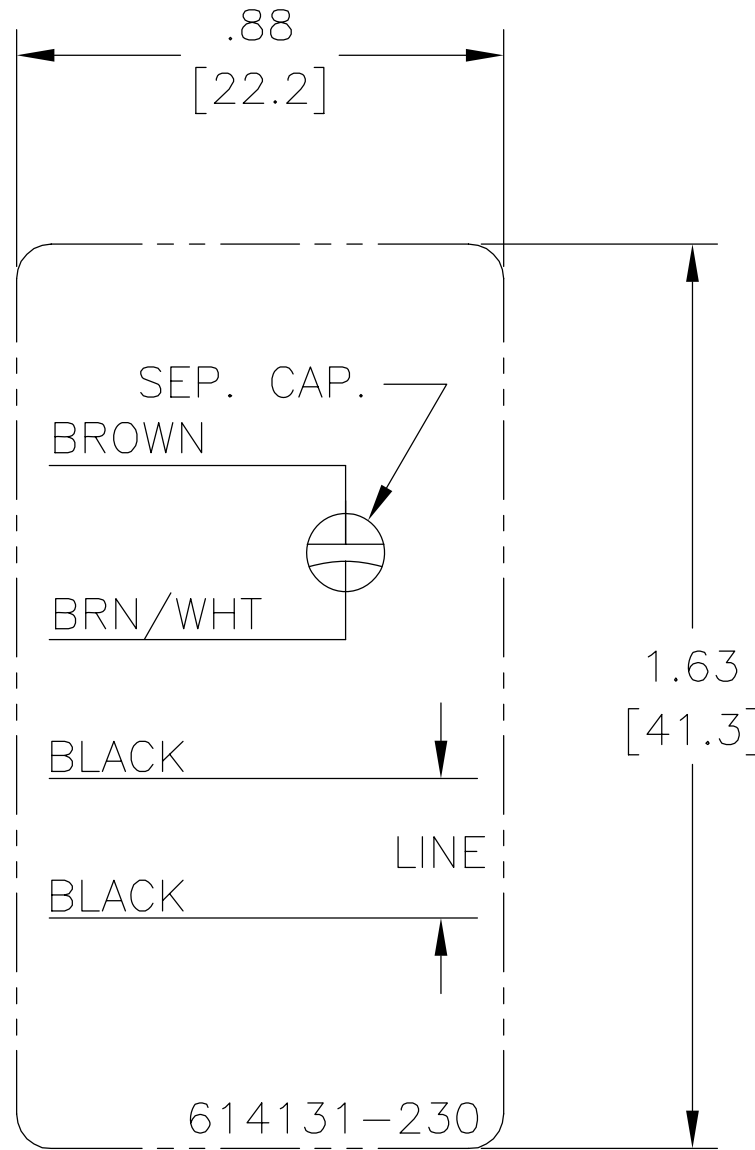
CARACTERISTICAS DE GEOMETRIA Y SIMBOLOS ▯ PLANICIDAD — RECTITUD < ANGULARIDAD ⊥ PERPENDICULARIDAD (A ESCUADRA) // PARALELISMO ○ REDONDEZ (CIRCULARIDAD) ∅ CILINDRICIDAD △ PERFIL DE CUALQUIER SUPERFICIE ∩ PERFIL DE CUALQUIER LINEA ↑ VARIACION ⊕ POSICION REAL ⊙ CONCENTRICIDAD = SIMETRIA
---

A MENOS QUE SE ESPECIFIQUE DE OTRA MANERA, LAS TOLERANCIAS DE LAS DIMS; SON LAS SIGUIENTES: X XX XXX XXXX PULG ±.1 ±.02 ±.005 ±.0005 mm ±0.5 ±0.13 ±0.013 ANG. ±.50 GRADOS ELIMINAR REBABAS Y ORILLAS FILOSAS DEL BORDE. PULG .003-.015 mm 0.1-0.4 FILETEAR ESQUINA: PULG .020 mm 0.5 MAQUINAR SUPERFICIES PULG 125 mm 3.2 DIMS METRICAS MOSTRADAS [PARENTESIS]
---

DIBUJADO POR:	jrupert	03-07-2011
APROBADO POR:	jrupert	03-07-2011
TERCER ANGULO DE PROYECCION		FECHA EDS: 02-22-2008 REV. FORMATO: F
CONFIDENCIAL: ESTE DIBUJO Y SU INFORMACION SON PROPIEDAD DE USO EXCLUSIVO Y CONFIDENCIAL DE A.O.SMITH CORP. Y NO DEBERAN SER REVELADOS, DUPLICADOS, DISTRIBUIDOS O USARSE DE OTRA MANERA SIN EL CONSENTIMIENTO ESCRITO DE A.O. SMITH CORP. -TODOS LOS DERECHOS RESERVADOS.ASME Y14.5M 1994		

<b>ELECTRICAL PRODUCTS COMPANY</b> A DIVISION OF A. O. SMITH CORPORATION		
DESCRIPCION:		CONN DIAGRAM EXTERNAL
TAMAÑO: A	NUMERO DE DIBUJO: 614131-230	
ESCALA:NONE	HOJA: 1	

??	ECO	??	??	??
B	ECO-0019091	jrupert	03-07-2011	03-07-2011



NOTES:

1. FOR USE WITH 614129 NAMEPLATE BLANK
2. ———— INDICATES DIMENSION LIMITS
3. DIE TO BE MADE FROM MASTER SUPPLIED BY A. O. SMITH CORPORATION
4. DIE MUST PRODUCE A LEGIBLE IMPRESSION.

□ ??? - ??? < ??? ⊥ ??? // ??? ○ ??? ⊕ ??? △ ??? ∩ ??? ↑ ??? ⊕ ??? ⊙ ??? = ???	????? ?????? ?? X XX XXX XXXX ?? ±.1 ±.02 ±.005 ±.0005 ?? ±0.5 ±0.13 ±0.013 ?? ±.50 ? ?????? ?? .003-.015 ?? 0.1-0.4 ??? ?? .020 ?? 0.5 ????? ?? 125 ?? 3.2 ??????[ ]	??: jrupert 03-07-2011 ??: jrupert 03-07-2011 ?????? ⊕ ⊃ ?????? 02-22-2008 ?????? F ??: ?????????????A.O.SMITH????? ??A.O.SMITH???????????????????? ??????—????? ASME Y14.5M 1994
--	---	--

		<b>ELECTRICAL PRODUCTS COMPANY</b> A DIVISION OF A. O. SMITH CORPORATION	
CONN DIAGRAM EXTERNAL			
??	A	??	614131-230
??	NONE	??	1