

PRODUCT INFORMATION PACKET



Model No: OKA1052
Catalog No: OKA1052

General Purpose Motor, 1/2 HP, 1 Ph, 60 Hz, 115/230 V, 3600 RPM, 48Z Frame, ODP



Regal and Century are trademarks of Regal Rexnord Corporation or one of its affiliated companies.
©2022 Regal Rexnord Corporation, All Rights Reserved. MC017097E





Nameplate Specifications

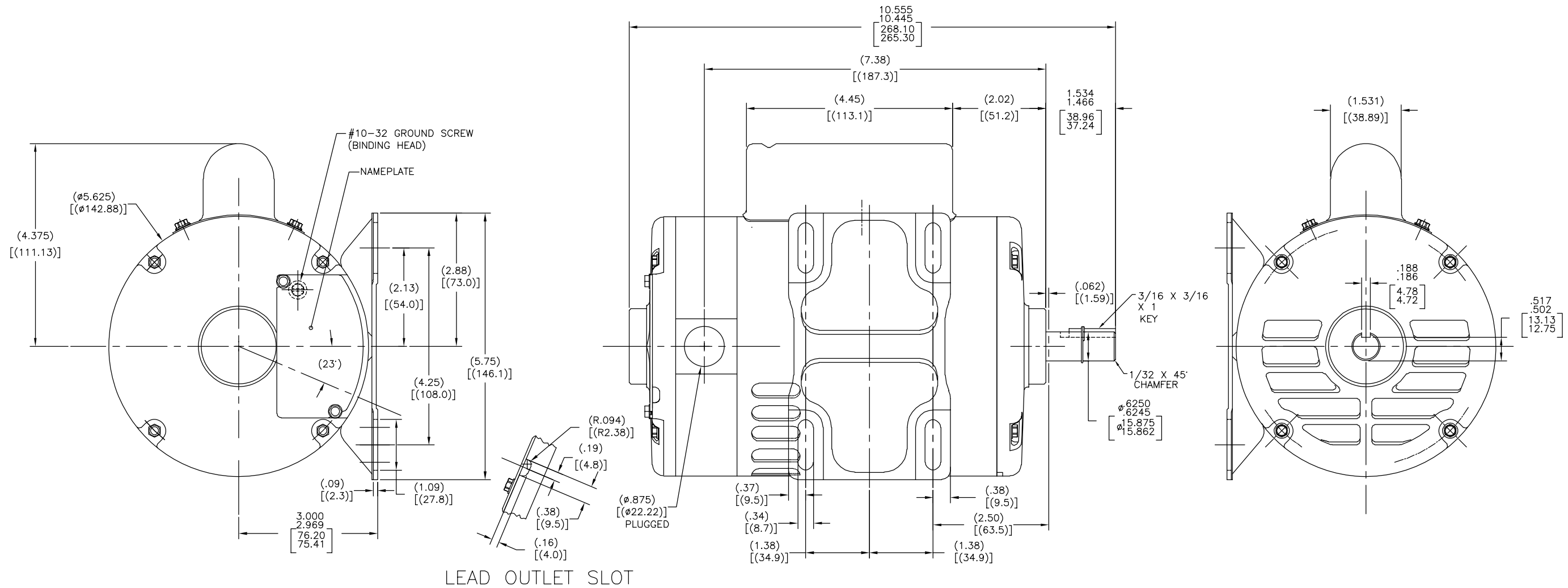
Output HP	1/2 Hp	Output KW	0.37 kW
Frequency	60 Hz	Voltage	115/230 V
Current	7.2/3.6 A	Speed	3450 rpm
Service Factor	1.25	Phase	1
Duty	Continuous	Insulation Class	A
Frame	48Z	Enclosure	Open Drip Proof
Thermal Protection	Automatic	Ambient Temperature	40 °C
UL	No	CSA	Y
CE	N	Number of Speeds	1

Technical Specifications

Electrical Type	Capacitor Start	Starting Method	Across The Line
Poles	2	Rotation	Reversible
Mounting	Rigid Base	Drive End Bearing	Ball
Opp Drive End Bearing	Ball	Frame Material	Rolled Steel
Shaft Type	Keyed	Overall Length	10.56 in
Frame Length	5.88 in	Shaft Diameter	0.625 in
Shaft Extension	1.534 in		
Connection Drawing	613129-001	Outline Drawing	OKA1052-S01

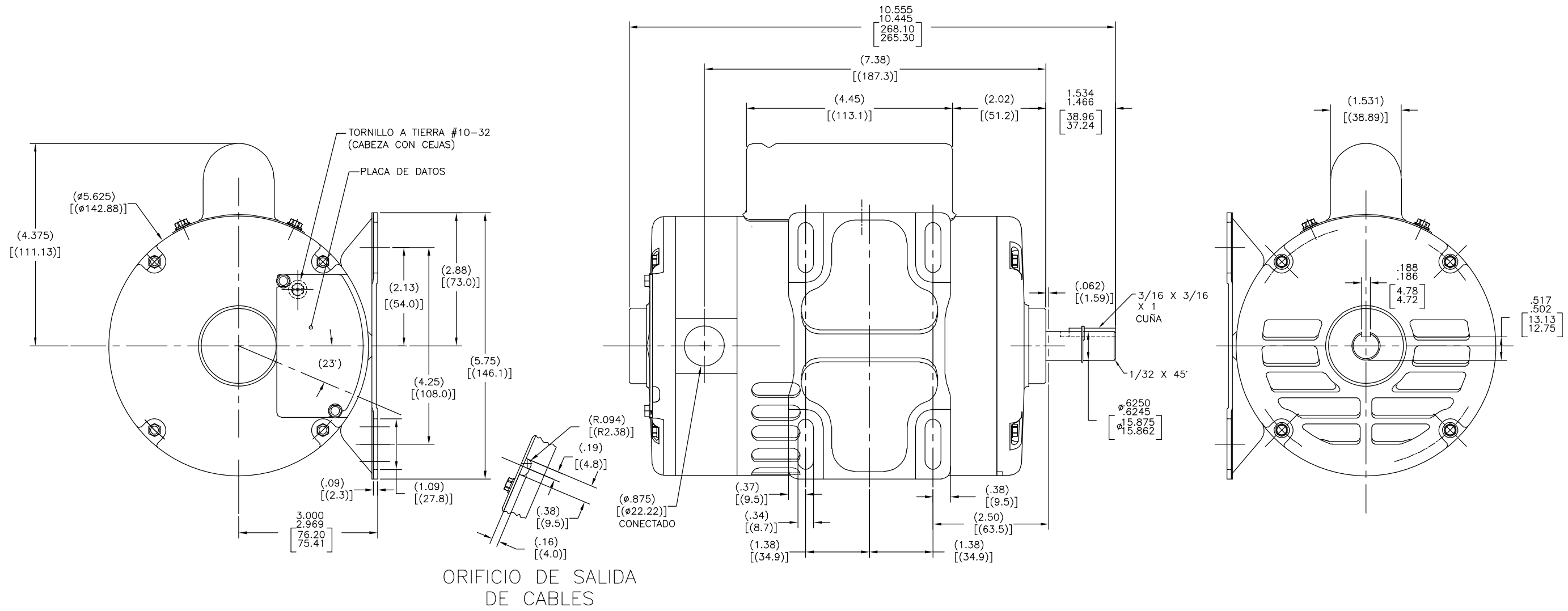
This is an uncontrolled document once printed or downloaded and is subject to change without notice. Date Created:11/28/2022

REV	ECO	REV BY	DATE	APPD	DATE
V	ECO-0022029	J. COX	12-15-2011	M. SCOTT	12-15-2011



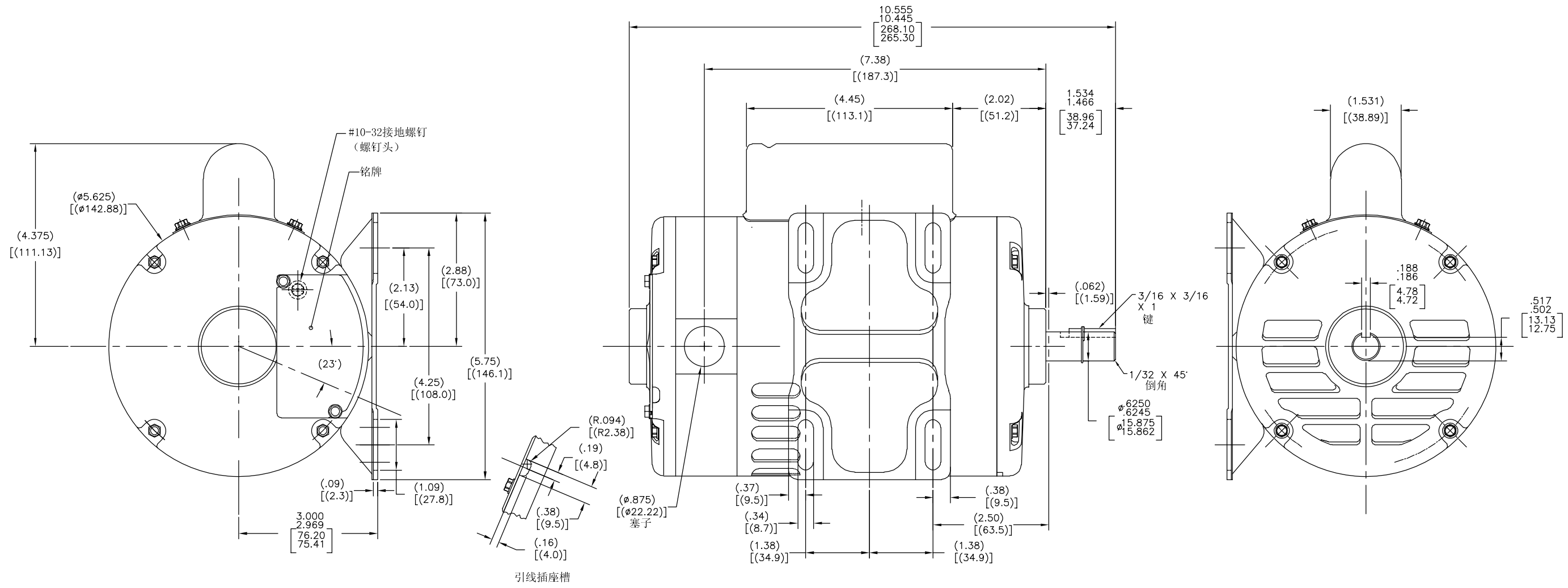
GEOMETRIC CHARACTERISTICS & SYMBOLS □ FLATNESS — STRAIGHTNESS ∠ ANGULARITY ⊥ PERPENDICULARITY (SQUARENESS) // PARALLELISM ○ ROUNDNESS (CIRCULARITY) ⌀ CYLINDRICITY ≡ PROFILE OF ANY SURFACE ∩ PROFILE OF ANY LINE ↗ RUNOUT ⊕ TRUE POSITION ⊙ CONCENTRICITY = SYMMETRY	UNLESS OTHERWISE SPECIFIED DIM. TOLERANCES ARE AS FOLLOWS: INCH ± .1 ± .02 ± .005 ± .0005 mm ± 0.5 ± 0.13 ± 0.013 ANG. ± 50 DEG REMOVE BURRS & BREAK SHARP EDGES: INCH .003-.015 mm 0.1-0.4 CORNER FILLETS TO: INCH .020 mm 0.5 MACHINE SURFACES: INCH 125 mm 3.2	DR BY: CGP	12-17-1967	REGAL-BELOIT CORPORATION MODEL-CFHP-48FR OUTLINE
		APPD: MAS	12-19-1967	
		EDS DATE 11-11-2011 FORMAT REV G	SIZE D SCALE NONE	DWG NO OKA1052 SHEET 1

REVISION:	ECO	REVISADO POR:	J. COX	FECHA:	12-15-2011	APROBADO POR:	M. SCOTT	FECHA:	12-15-2011
V	ECO-0022029								



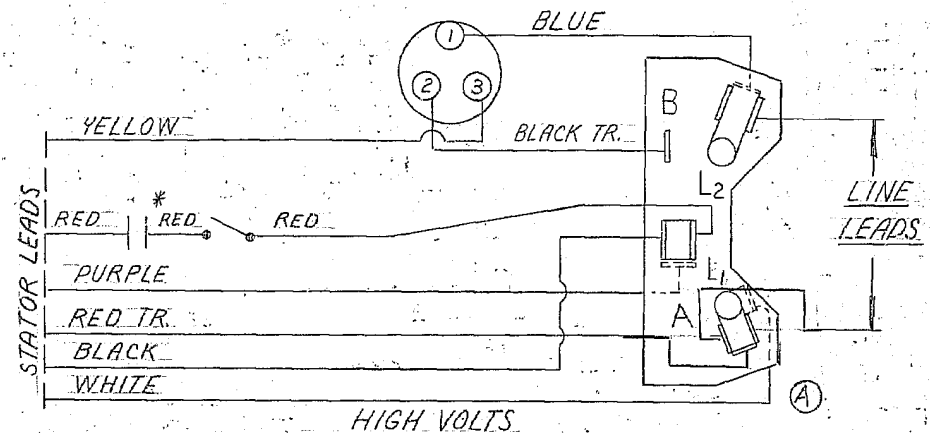
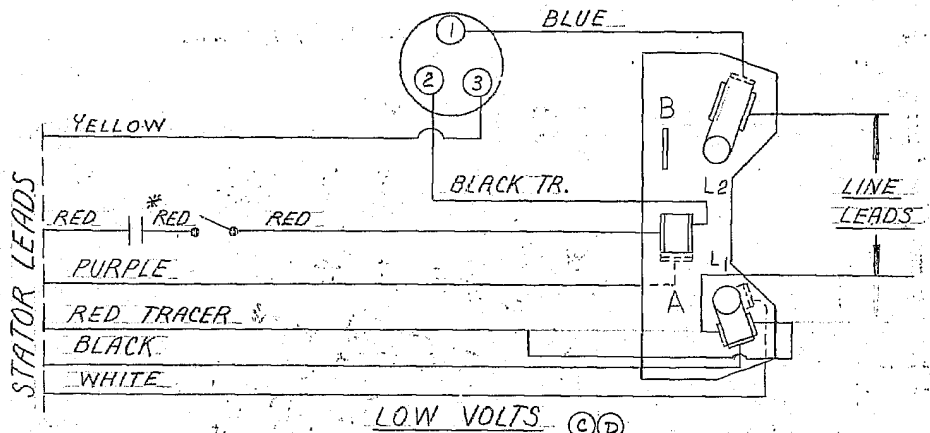
CARACTERISTICAS DE GEOMETRIA Y SIMBOLOS: — RECTITUD — ANGULARIDAD ⊥ PERPENDICULARIDAD (A ESCUADRA) // PARALELISMO ○ REDONDEZ (CIRCULARIDAD) H CILINDRICIDAD ≡ PERFIL DE CUALQUIER SUPERFICIE ^ PERFIL DE CUALQUIER LINEA † VARIACION ⊕ POSICION REAL ⊙ CONCENTRICIDAD = SIMETRIA	A MENOS QUE SE ESPECIFIQUE DE OTRA MANERA, LAS TOLERANCIAS DE LAS DIMS, SON LAS SIGUIENTES: PULG. X XX XXX XXXX mm ±0.5 ±0.13 ±0.013 ANG. ±50 GRADOS ELIMINAR REBABAS Y ORILLAS FILOSAS DEL BORDE. PULG. .003-.015 mm 0.1-0.4 FILETEAR ESQUINA: PULG. .020 mm 0.5 MAQUINAR SUPERFICIES PULG. 125 mm 3.2	DIBUJADO POR:	CGP	12-17-1967	DESCRIPCION: MODEL-CFHP-48FR OUTLINE
		APROBADO POR:	MAS	12-19-1967	
TERCER ANGULO DE PROYECCION				CONFIDENCIAL: ESTE DIBUJO Y SU INFORMACION SON PROPIEDAD DE USO EXCLUSIVO Y CONFIDENCIAL DE REGAL-BELOIT CORPORATION, Y NO DEBERAN SER REVELADOS, DUPLICADOS, DISTRIBUIDOS O USARSE DE OTRA MANERA SIN EL CONSENTIMIENTO ESCRITO DE REGAL-BELOIT CORPORATION. -TODOS LOS DERECHOS RESERVADOS.	TAMAÑO: D NUMERO DE DIBUJO: OKA1052 ESCALA: NONE HOJA: 1

版本	ECO	编制	日期	批准	日期
V	ECO-0022029	J. COX	12-15-2011	M. SCOTT	12-15-2011



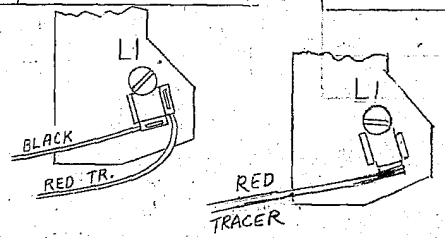
形位公差 平面度 直线度 倾斜度 垂直度 平行度 圆度 圆柱度 面轮廓度 线轮廓度 圆跳动 位置度 同轴度 对称度	除另有注明 尺寸公差如下:	绘图: CGP	12-17-1967	名称 MODEL-CFHP-48FR OUTLINE 图号 OKA1052 比例 NONE 页号 1	
	英寸 ±.1 ±.02 ±.005 ±.0005 毫米 ±0.5 ±0.13 ±0.013	批准: MAS	12-19-1967		
	角度 ±.50 度 清理毛刺和尖棱 英寸 .003-.015 毫米 0.1-0.4 内圆角 英寸 .020 毫米 0.5	第三角投影	图纸格式发布日期 11-11-2011		图幅 D
	表面粗糙度 英制 125 米制 3.2 ASME Y14.5M 1994 米制尺寸显示在 []	机密: 本图纸及相关信息所有权归REGAL-BELOIT CORPORATION 未经REGAL-BELOIT CORPORATION书面授权, 不得泄露、 复制、传播或作其他用途。—版权所有	图纸格式版本 G		比例 NONE

613129



NOTE:-
 * DENOTES DUMMY LEAD ON STATOR & COIL ASSY (B)
 --- INDICATES LEAD TO TERMINAL UNDERNEATH TERMINAL BOARD
 ON LOW VOLTAGE CONNECTION, STATOR LEADS TO BE LOCATED ON L1 TERMINAL AS SHOWN

PART NUMBER	RED LT ASSY SWITCH TO TERM. BD.	RED LEAD CAPACITOR TO SWITCH	BLUE LT ASSY THST. TO TERM. BD.	BLACK TR. LT ASSY THST. TO TERM. BD.	REMARKS	FIRST MODEL	NOTICE NO.
613129-1	058 R18-AB-032-FJ	*	058 BL16-AB-035-08	058 BT18-AB-035-08	CONNECT FOR LOW VOLTAGE	C48J2C2C1	12187



USE THIS CONNECTION DIAGRAM ONLY FOR SPECIAL CUSTOMER REQUESTS

DATE	CHANGED FROM	NOTICE	DATE	CHANGED FROM	NOTICE
A 5/10/73	REVISED HI-VOLT CONN.	22923	H		
B 9/17/73	REVISED LT ASSEM.'S	23132	J		
C 1-6-78	058 R18-AB-050-AB	26583	K		
D 7-10-78	058 R18-AB-035-AB	27048	L		
E			M		
F			N		
G			P		

613129-1 (PART 6)

SUPERSEDES	ELECTRIC MOTOR DIVISION TIPP CITY, OHIO			A. O. SMITH CORP.	
SUPERSEDED BY	NAME CONNECTION DIAGRAM (EXT.) DUAL VOLTAGE, DUAL ROT.				
REFERENCE	MATERIAL				
604797-17	LIMITS UNLESS OTHERWISE SPECIFIED: FRACTIONS		DECIMAL		
DR. D. GOUGE 2/19/73	PROCESS	SCALE	MODEL SEE CHART		
DATE OF PRINT	CHK'D. <i>dlw</i> 2-14-73		PART NO.		
APP'D.			613129-1 (PART 6)		
			NOTICE NO. SEE CHART.		

x #8A2