

# PRODUCT INFORMATION PACKET



Model No: OKB1038

Catalog No: OKB1038

OEM Replacement Motor, 1/3 HP, 1 Ph, 60 Hz, 115 V, 825 RPM, 1 Speed, 48 Frame, SEMI ENCL



Regal and Century are trademarks of Regal Rexnord Corporation or one of its affiliated companies.  
©2025 Regal Rexnord Corporation, All Rights Reserved. MC017097E





**Nameplate Specifications**

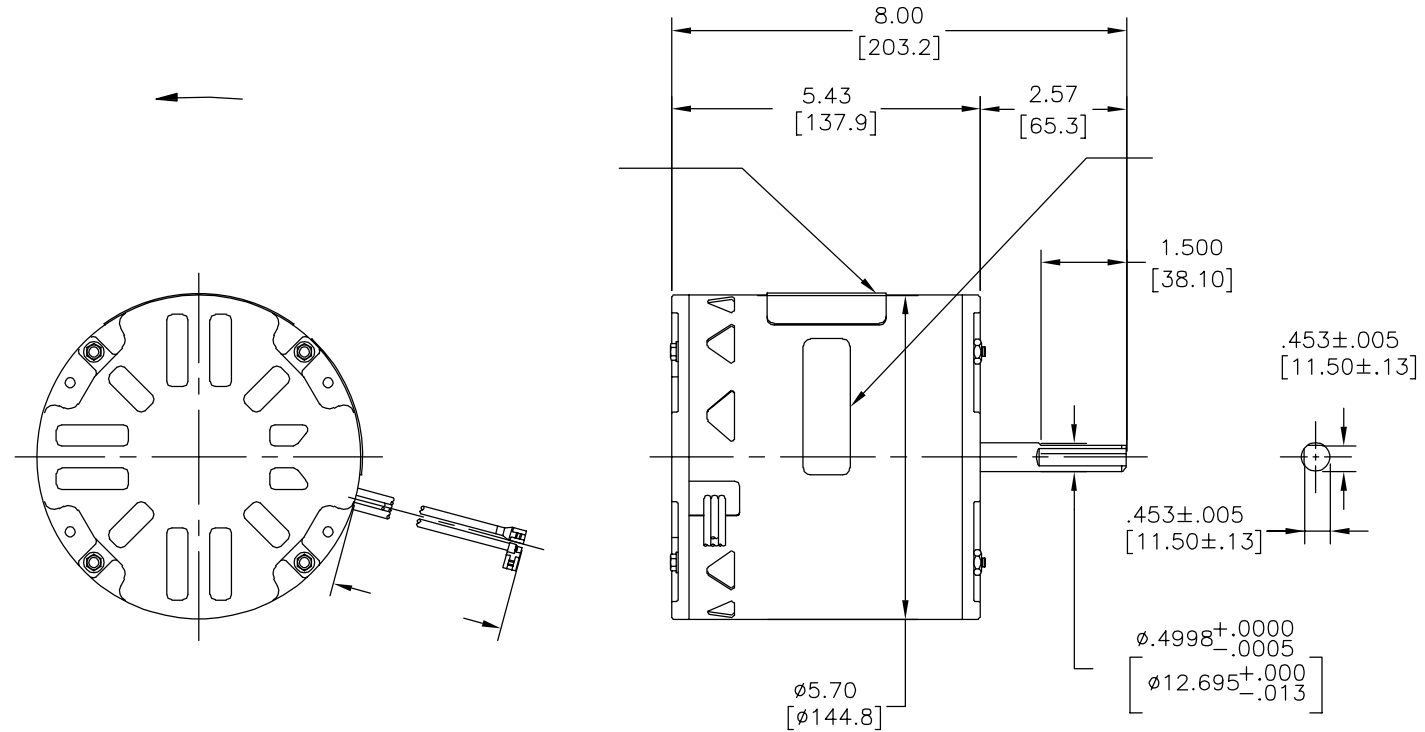
Phase	1	Output HP	1/3 Hp
Output KW	0.25 kW	Voltage	115 V
Speed	825 rpm	Service Factor	1.0
Frame	48Y	Enclosure	Semi Enclosed
Thermal Protection	Automatic	Ambient Temperature	60 °C
Frequency	60 Hz	Current	4.8 A
Duty	Air Over	Insulation Class	B
UL	Recognized	CSA	Y
CE	N	Number of Speeds	1

**Technical Specifications**

Electrical Type	Permanent Split Capacitor	Starting Method	Across The Line
Poles	8	Rotation	Counterclockwise Lead End
Mounting	Round Belly Band	Motor Orientation	Vertical Shaft Up
Drive End Bearing	Ball	Opp Drive End Bearing	Ball
Frame Material	Rolled Steel	Shaft Type	Double Flat
Overall Length	8.00 in	Frame Length	4.81 in
Shaft Diameter	0.500 in	Shaft Extension	2.6 in
Outline Drawing	F48D62A01-S01	Connection Drawing	614131-007

This is an uncontrolled document once printed or downloaded and is subject to change without notice. Date Created:02/10/2025

版本	ECO	编制	日期	批准	日期
A	ECO-0034278	A.RODRIGUEZ	07-08-2013	D.MUÑOZ	07-08-2013



MODEL: F48D62A01  
 CUST. P/N: [ ]  
 HP: 1/3  
 ROT: CCWLE  
 RPM: 825  
 TYPE: UF  
 FRAME: 48Y  
 VOLTS: 115  
 PH: 1  
 AMPS: 4.8 (7.0 MAX)  
 HZ: 60  
 INS: B  
 AMB: 60 °C  
 DUTY: AIR OVER  
 CAP.: 5 MFD/370 V  
 ENCL: SEMI-ENCL  
 CSA LOGO  
 UL LOGO  
 THERMALLY PROTECTED

SEP. CAP.  
 BROWN  
 BRN/WHT  
 WHITE  
 BLACK  
 LINE

614131-007

	43[1092]/46[1168]	.25[6.4]
	43[1092]/46[1168]	.25[6.4]
	40[1016]/43[1092]	.25[6.4]
	40[1016]/43[1092]	.25[6.4]


--	--

- 形位公差
- 平面度
- 直线度
- ∠ 倾斜度
- ⊥ 垂直度
- // 平行度
- 圆度
- ⊘ 圆柱度
- ⊙ 圆跳动
- △ 面轮廓度
- ∩ 线轮廓度
- ↗ 圆跳动
- ⊕ 位置度
- ⊙ 同轴度
- ≡ 对称度

ASME Y14.5M 1994

REGAL-BELOIT CORPORATION (RBC) 在个别领域为客户  
 提供技术支持。鉴于RBC  
 未收到任何涉及电机使用和  
 应用环境的数据，电机的适用性  
 由客户自己决定。

未注公差尺寸仅供参考。

绘图: A.RODRIGUEZ 07-08-2013  
 批准:  
 第三角投影 图纸格式发布日期 11-11-2011  
 图纸格式版本 H  
 机密: 本图纸及相关信息所有权归REGAL-BELOIT CORPORATION  
 未经REGAL-BELOIT CORPORATION书面授权, 不得泄露、  
 复制、传播或作其他用途。—版权所有

**REGAL** REGAL-BELOIT CORPORATION

名称 MODEL-RFHP-48FR  
 OUTLINE  
 图幅 C 图号 F48D62A01  
 比例 NONE 页号 1

REV	ECO	REV BY	DATE	APPD	DATE
A	ECO-0034278	A.RODRIGUEZ	07-08-2013	D.MUÑOZ	07-08-2013

**GENERAL INFORMATION:**

SHAFT RUNOUT: .001[.03] T.I.R. PER INCH LENGTH OF EXTENSION.

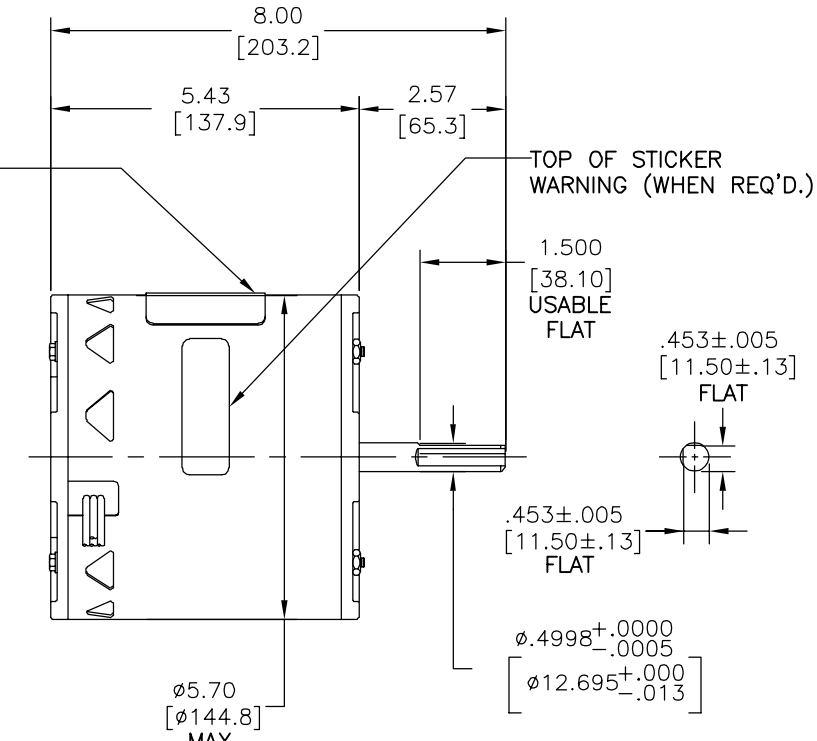
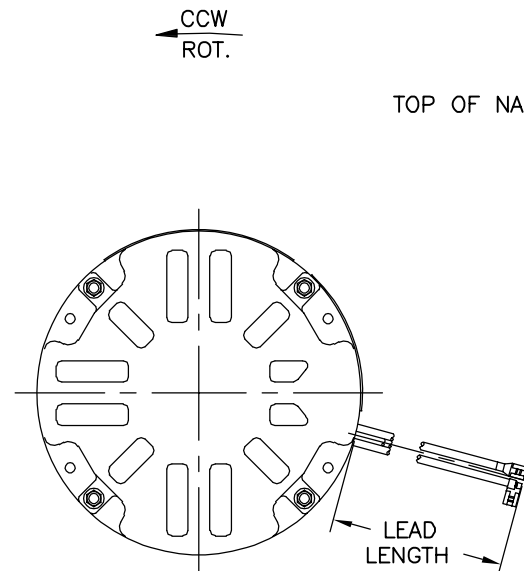
BEARINGS: BALL

MOUNTING POSITION: VERTICAL SHAFT UP

**ELECTRICAL DATA:**

OVERLOAD PROTECTOR: AUTOMATIC RESET (SENSATA 7AM 036)

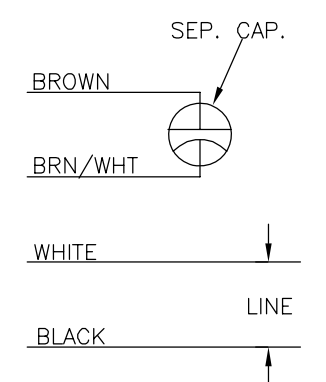
LEADS: NO. 18 GA., .06[1.5] THK. PVC 105°C INSUL.



**NAMEPLATE DATA:**

MODEL: F48D62A01  
 CUST. P/N: [ ]  
 HP: 1/3  
 ROT: CCWLE  
 RPM: 825  
 TYPE: UF  
 FRAME: 48Y  
 VOLTS: 115  
 PH: 1  
 AMPS: 4.8 (7.0 MAX)  
 HZ: 60  
 INS: B  
 AMB: 60 °C  
 DUTY: AIR OVER  
 CAP.: 5 MFD/370 V  
 ENCL: SEMI-ENCL  
 CSA LOGO  
 UL LOGO  
 THERMALLY PROTECTED

**EXTERNAL CONNECTION DIAGRAM**



614131-007

BROWN/WHITE	43[1092]/46[1168]	.25[6.4] FLAG
BROWN	43[1092]/46[1168]	.25[6.4] FLAG
WHITE	40[1016]/43[1092]	.25[6.4] FEMALE SPADE
BLACK	40[1016]/43[1092]	.25[6.4] FEMALE SPADE
COLOR	LENGTH	TERMINAL OR STRIP LENGTH

NOTE:  
1. DISTRIBUTION PART NUMBER: OKB1038

MAIN FR.-OLE	ENCLOSED
END FR.-OLE	OPEN
MAIN FR.-LE	OPEN
END FR.-LE	OPEN
ENCLOSURE	

CUST.	STOCK
-------	-------

PREFORMANCE CURVE NO.	TORQUE @ 1550 RPM(25°C)	APPROVED SAMPLE	UL COMPONENT FILE#	GUIDE#	CSA FILE#	GUIDE#
C30966	38.4 OZ. FT.	93AC130A	E46412	PRGY2	LR43341	260-0-0

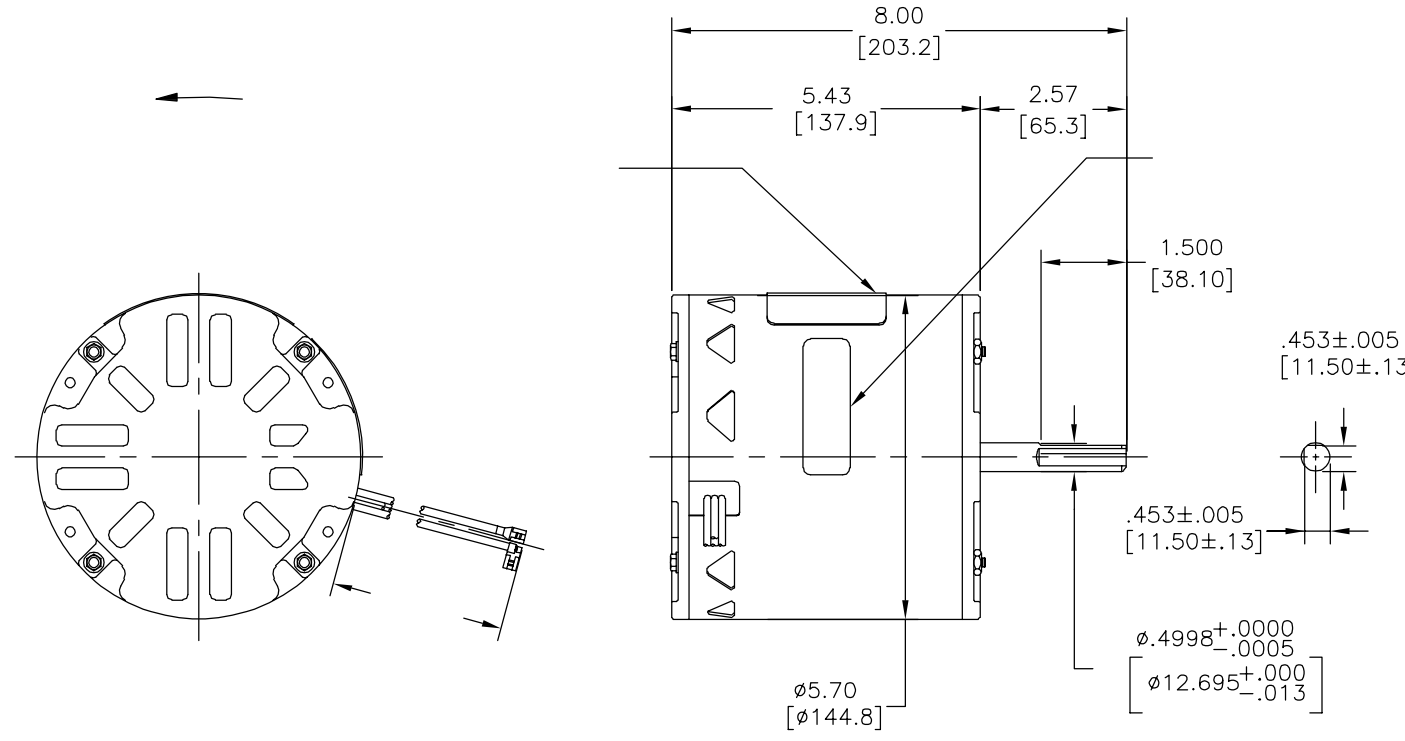
**GEOMETRIC CHARACTERISTICS & SYMBOLS**  
 □ FLATNESS  
 — STRAIGHTNESS  
 < ANGLARITY  
 ⊥ PERPENDICULARITY (SQUARENESS)  
 ∥ PARALLELISM  
 ○ ROUNDNESS (CIRCULARITY)  
 ∅ CYLINDRICITY  
 △ PROFILE OF ANY SURFACE  
 ∩ PROFILE OF ANY LINE  
 ∠ RUNOUT  
 ⊕ TRUE POSITION  
 ⊙ CONCENTRICITY  
 = SYMMETRY  
 ASME Y14.5M 1994

REGAL-BELOIT CORPORATION (RBC) PROVIDES TECHNICAL ASSISTANCE TO OUR CUSTOMERS IN SEVERAL AREAS. SINCE RBC DOES NOT RECEIVE ALL DATA CONCERNING THE USE AND APPLICATION OF THE MOTOR, THE SUITABILITY OF THE MOTOR FOR THE APPLICATION MUST BE DETERMINED BY THE CUSTOMER.  
 DIMENSIONS WITHOUT TOLERANCES ARE FOR REFERENCE ONLY.

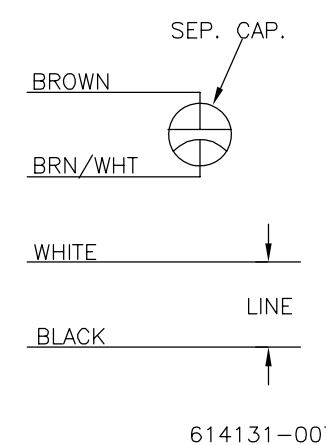
DR BY: A.RODRIGUEZ 07-08-2013  
 APPD:  
 THIRD ANGLE PROJECTION  
 EDS DATE 11-11-2011  
 FORMAT REV H  
 CONFIDENTIAL: THIS DRAWING AND ITS INFORMATION ARE THE EXCLUSIVE AND CONFIDENTIAL PROPERTY OF REGAL-BELOIT CORPORATION AND ARE NOT TO BE DISCLOSED, DUPLICATED, DISTRIBUTED OR OTHERWISE USED WITHOUT THE WRITTEN CONSENT OF REGAL-BELOIT CORPORATION. -ALL RIGHTS RESERVED.

**REGAL REGAL-BELOIT CORPORATION**  
 DESCRIPTION: MODEL-RFHP-48FR OUTLINE  
 SIZE: C DWG NO: F48D62A01  
 SCALE: NONE SHEET: 1

REVISION:	ECO	REVISADO POR:	FECHA:	APROBADO POR:	FECHA:
A	ECO-0034278	A.RODRIGUEZ	07-08-2013	D.MUÑOZ	07-08-2013



MODEL: F48D62A01  
 CUST. P/N: [ ]  
 HP: 1/3  
 ROT: CCWLE  
 RPM: 825  
 TYPE: UF  
 FRAME: 48Y  
 VOLTS: 115  
 PH: 1  
 AMPS: 4.8 (7.0 MAX)  
 HZ: 60  
 INS: B  
 AMB: 60 °C  
 DUTY: AIR OVER  
 CAP.: 5 MFD/370 V  
 ENCL: SEMI-ENCL  
 CSA LOGO  
 UL LOGO  
 THERMALLY PROTECTED



614131-007

	43[1092]/46[1168]	.25[6.4]
	43[1092]/46[1168]	.25[6.4]
	40[1016]/43[1092]	.25[6.4]
	40[1016]/43[1092]	.25[6.4]

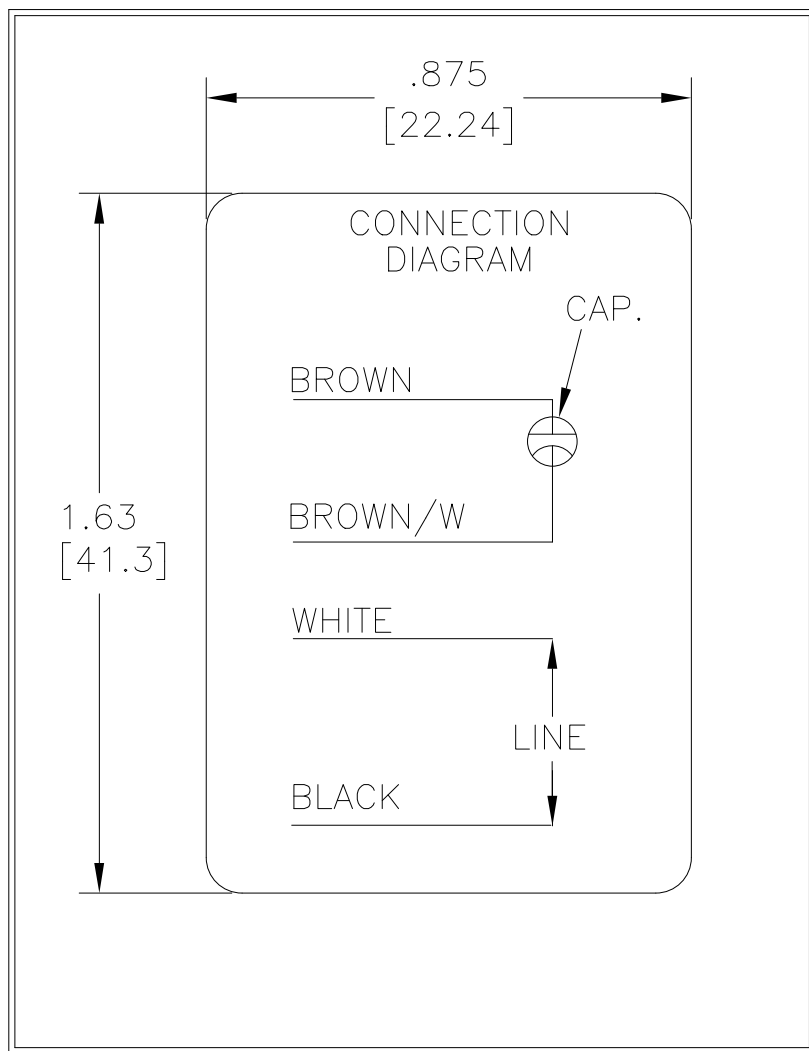
C30966	38.4 OZ. FT.	93AC130A	E46412	PRGY2	LR43341	260-0-0
--------	--------------	----------	--------	-------	---------	---------

CARACTERISTICAS DE GEOMETRIA Y SIMBOLOS  
 ▧ PLANICIDAD  
 — RECTITUD  
 < ANGULARIDAD  
 ⊥ PERPENDICULARIDAD (A ESCUADRA)  
 // PARALELISMO  
 ○ REDONDEZ (CIRCULARIDAD)  
 ∅ CILINDRICIDAD  
 △ PERFIL DE CUALQUIER SUPERFICIE  
 ∇ PERFIL DE CUALQUIER LINEA  
 ↗ VARIACION  
 ⊕ POSICION REAL  
 ⊙ CONCENTRICIDAD  
 = SIMETRIA  
 ASME Y14.5M 1994

REGAL-BELOIT CORPORATION (RBC)  
 PROVEE ASISTENCIA TECNICA A  
 NUESTROS CLIENTES EN VARIAS AREAS.  
 DESDE QUE RBC NO RECIBE TODOS  
 LOS DATOS EN RELACION AL USO Y A  
 LA APLICACION DEL MOTOR, LA  
 APLICACION ADECUADA DEL MOTOR  
 DEBE SER DETERMINADA POR EL  
 CLIENTE.  
 DIMENSIONES SIN TOLERANCIA SON  
 DE REFERENCIA SOLAMENTE

DIBUJADO POR:  
 A.RODRIGUEZ  
 07-08-2013  
 APROBADO POR:  
 TERCER ANGULO  
 DE PROYECCION  
 CONFIDENCIAL: ESTE DIBUJO Y SU INFORMACION  
 SON PROPIEDAD DE USO EXCLUSIVO Y CONFIDENCIAL DE  
 REGAL-BELOIT CORPORATION. Y NO DEBERAN SER REVELADOS,  
 DUPLICADOS, DISTRIBUIDOS O USARSE DE OTRA MANERA  
 SIN EL CONSENTIMIENTO ESCRITO DE REGAL-BELOIT  
 CORPORATION. -TODOS LOS DERECHOS RESERVADOS.

**REGAL** REGAL-BELOIT CORPORATION  
 DESCRIPCION:  
 MODEL-RFHP-48FR  
 OUTLINE  
 TAMAÑO: C NUMERO DE DIBUJO:  
 F48D62A01  
 ESCALA:NONE HOJA: 1



DRAWING REVISION D	REVISION BY J. RUPERT	DATE 04-26-2023
ECO NMR-0222169	APPROVED BY J. RUPERT	DATE 04-26-2023

ECO DESCRIPTION  
REVISED FOR UP ISSUE

COPYRIGHT REGAL BELOIT AMERICA, INC. ALL RIGHTS RESERVED.  
PROPRIETARY AND CONFIDENTIAL INFORMATION - THIS DOCUMENT IS THE PROPERTY OF  
REGAL BELOIT AMERICA, INC. ("OWNER") AND CONTAINS OWNER'S PROPRIETARY  
INFORMATION. ANY PERSON, CORPORATION OR OTHER FIRM RECEIVING IT IS DEEMED,  
BY RECEIVING IT, TO AGREE THAT IT, AND/OR ANY PART OF IT, SHALL NOT BE DISCLOSED  
TO ANY PERSON, CORPORATION OR OTHER ENTITY, DUPLICATED, AND/OR USED, EXCEPT  
AS EXPRESSLY APPROVED IN WRITING IN ADVANCE BY OWNER. THIS DOCUMENT SHALL  
BE RETURNED TO OWNER UPON REQUEST. IT MAY BE SUBJECT TO CERTAIN  
RESTRICTIONS UNDER APPLICABLE EXPORT CONTROL LAWS AND REGULATIONS.

TOLERANCES UNLESS OTHERWISE SPECIFIED			
DEC.	INCH	mm	ANGLE
.X	±0.1	[±2.5]	±0.5°
.XX	±0.02	[±0.51]	
.XXX	±0.005	[±0.127]	
.XXXX	±0.0005	[±0.0127]	
REMOVE BURRS & BREAK SHARP EDGES .003/.015 [.076/.381] X 45°			
CORNER FILLETS R.02 [.51]			
MACHINED SURFACES			
$\sqrt[.125]{\text{INCH}}$ / $\sqrt[.32]{\text{mm}}$			
mm SHOWN IN [BRACKETS]			

DRAWN BY: N. LONG
DATE: 07-14-1986
APPROVED BY:
DATE:
REFERENCE
THIRD ANGLE PROJECTION

<b>Regal Beloit America, Inc.</b>	
DESCRIPTION <b>CONN-DIAGRAM</b> NAMEPLATE	
MATERIAL	PROCESS/FINISH
SIZE A	DWG NO <b>6 of 6</b>
614131-007	
SHEET 1	