

PRODUCT INFORMATION PACKET



Model No: OLE1036A

Catalog No: OLE1036A

OEM Replacement Motor, 1/3 HP, 1 Ph, 60 Hz, 115 V, 1075 RPM, 4 Speed, 48 Frame, OPEN



Regal and Century are trademarks of Regal Rexnord Corporation or one of its affiliated companies.
©2022 Regal Rexnord Corporation, All Rights Reserved. MC017097E





Nameplate Specifications

Output HP	1/3 Hp	Output KW	0.25 kW
Frequency	60 Hz	Voltage	115 V
Current	6.0 A	Speed	1075 rpm
Service Factor	1	Phase	1
Duty	Air Over	Insulation Class	B
Frame	48Y	Enclosure	Open Enclosed
Thermal Protection	Automatic	Ambient Temperature	40 °C
UL	Recognized	CSA	Y
CE	N	Number of Speeds	4

Technical Specifications

Electrical Type	Permanent Split Capacitor	Starting Method	Across The Line
Poles	6	Rotation	Counterclockwise Lead End
Mounting	Resilient Rings	Motor Orientation	Horizontal
Drive End Bearing	Ball	Opp Drive End Bearing	Ball
Frame Material	Rolled Steel	Shaft Type	Flat
Overall Length	9.86 in	Frame Length	3.63 in
Shaft Diameter	0.500 in	Shaft Extension	5.12 in
Outline Drawing	OLE1036A-S01	Connection Drawing	614131-039

This is an uncontrolled document once printed or downloaded and is subject to change without notice. Date Created:11/28/2022

GENERAL INFORMATION:

SHAFT RUNOUT: .001 [.03] T.I.R. PER LENGTH OF EXTENSION

BEARINGS: BALL

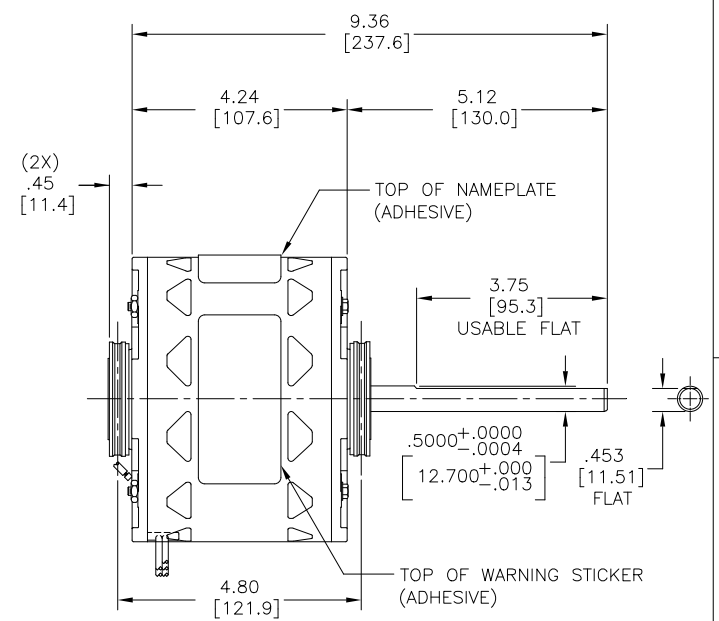
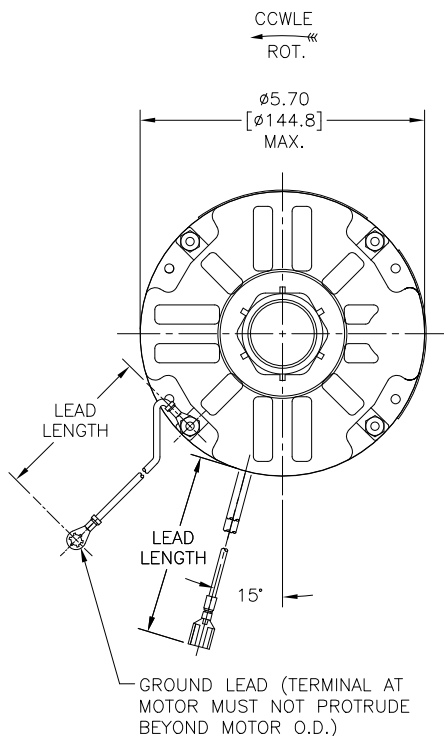
MOUNTING POSITION: HORIZONTAL

ELECTRICAL DATA:

OVERLOAD PROTECTOR: AUTOMATIC RESET (T.I. 7AM 036)

LEADS: NO. 18 GAUGE., .03 [.8] THICKNES. XLP 125°C INSUL.

GROUND LEAD: NO. 18 GAUGE., .03 [.8] THICKNES GREEN INSULATION.



SEE NOTE 1

NAMEPLATE DATA:

MODEL NO.: F48Z81A01
 CUST. P/N: []
 HP: 1/3
 ROT.: CCWLE
 RPM: 1075/4 SPD
 TYPE: UF
 FRAME: 48Y
 VOLTS: 115
 PH: 1
 AMPS: 6.0
 HZ: 60
 INS.: B
 AMB.: 40°C
 DUTY: AIR OVER
 CAP.: 5.0 MFD/370 V
 ENCL: OPEN
 UL LOGO
 CSA LOGO
 THERMALLY PROTECTED

EXTERNAL CONNECTION DIAGRAM

SEP. CAP.

PUR —

PUR —

WHT —

BLK — HI

BRN — M-HI

YEL — M-LO

RED — LO

LINE

614131-039

GREEN (GRD)	10.5/12.5 [267/318]	#10 EYELET
PURPLE	20.0/22.0 [508/559]	.25 [6.4] FEMALE SPADE
PURPLE	20.0/22.0 [508/559]	.25 [6.4] FEMALE SPADE
WHITE	47.5/50.5 [1206/1282]	.25 [6.4] FEMALE SPADE
BLACK	47.5/50.5 [1206/1282]	.25 [6.4] FEMALE SPADE
BROWN	47.5/50.5 [1206/1282]	.25 [6.4] FEMALE SPADE
YELLOW	47.5/50.5 [1206/1282]	.25 [6.4] FEMALE SPADE
RED	47.5/50.5 [1206/1282]	.25 [6.4] FEMALE SPADE
COLOR	LENGTH	TERMINAL OR STRIP LENGTH

NOTES:

- 1. DISTRIBUTION PART NUMBER: OLE1036A
GRAINGER PART NUMBER: 2GMR4

PREFORMANCE CURVE NO.	TORQUE @1075 RPM (25°C)	APPROVED SAMPLE	UL COMPONENT	CSA		
C32752	30.6 OZ. FT.	0702025A	E46412	PRGY2	LR43341	4211-01

MAIN FRAME - OLE	OPEN
END FRAME - OLE	OPEN
MAIN FRAME - LE	OPEN
END FRAME - LE	OPEN

CUSTOMER	DISTRIBUTION SERVICES
----------	-----------------------

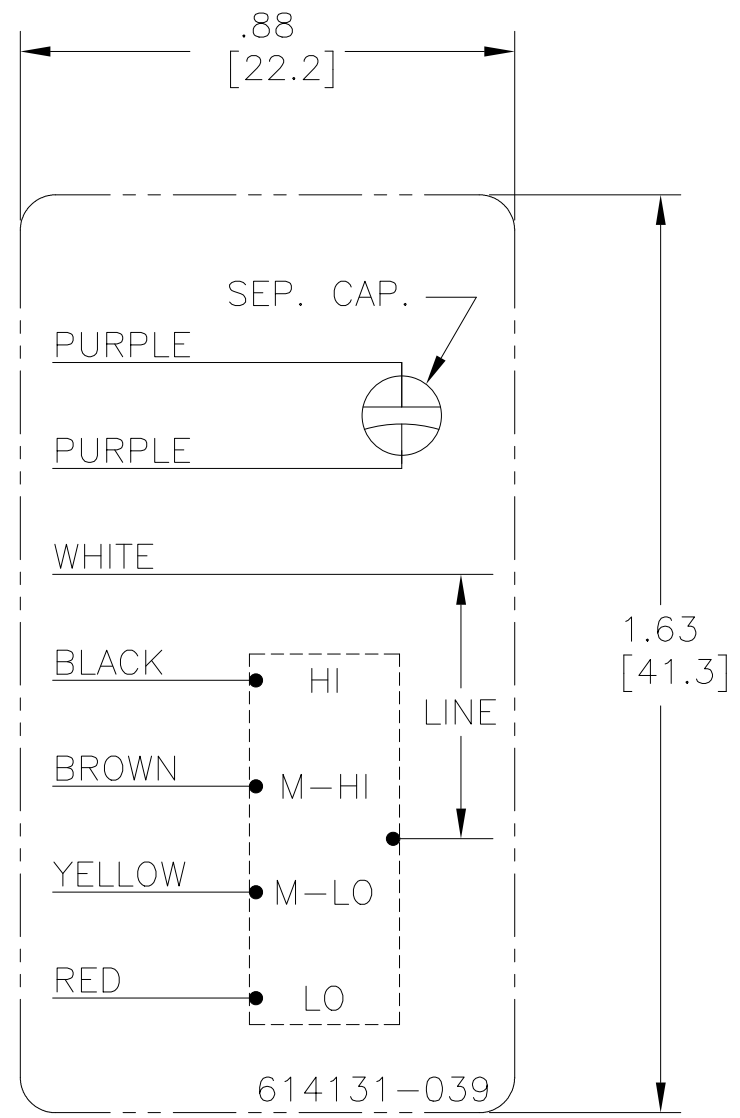
LEAD DATA

DRAWING REVISION	REVISION BY	DATE
E	J. RUPERT	11-11-2022
ECO	APPROVED BY	DATE
NMR-0217502	J. RUPERT	11-11-2022
ECO DESCRIPTION		
CHANGED TO BALL BEARING		

COPYRIGHT REGAL BELLOIT AMERICA, INC. ALL RIGHTS RESERVED. PROPRIETARY AND CONFIDENTIAL INFORMATION - THIS DOCUMENT IS THE PROPERTY OF REGAL BELLOIT AMERICA, INC. (OWNER) AND CONTAINS OWNER'S PROPRIETARY INFORMATION. ANY PERSON, CORPORATION OR OTHER FIRM RECEIVING IT IS GRANTED, BY RECEIVING IT, TO AGREE THAT IT, AND/OR ANY PART OF IT, SHALL NOT BE DISCLOSED TO ANY PERSON, CORPORATION OR OTHER ENTITY, DUPLICATED, AND/OR USED, EXCEPT AS EXPRESSLY APPROVED IN WRITING IN ADVANCE BY OWNER. THIS DOCUMENT SHALL BE RETURNED TO OWNER UPON REQUEST. IT MAY BE SUBJECT TO CERTAIN RESTRICTIONS UNDER APPLICABLE EXPORT CONTROL LAWS AND REGULATIONS.

ENCLOSURE

DRAWN BY:	S. RECKERS		Regal Beloit America, Inc.	
DATE:	08-07-2007		MODEL-RFHP-48F	
APPROVED BY:	T. RILEY	DESCRIPTION		MODEL-RFHP-48F
DATE:	08-21-2007	MATERIAL		OUTLINE
REFERENCE		PROCESS/FINISH		
THIRD ANGLE PROJECTION		SIZE	DWG NO	OLE1036A
				SHEET 1



NOTES:

1. FOR USE WITH 614129 NAMEPLATE BLANK
2. ———— INDICATES DIMENSION LIMITS
3. DIE TO BE MADE FROM MASTER SUPPLIED BY A. O. SMITH CORPORATION
4. DIE MUST PRODUCE A LEGIBLE IMPRESSION.

DRAWING REVISION C	REVISION BY J. RUPERT	DATE 11-11-2022
ECO NMR-0217502	APPROVED BY J. RUPERT	DATE 11-11-2022
ECO DESCRIPTION REVISED FOR UP ISSUE		

TOLERANCES UNLESS OTHERWISE SPECIFIED			
DEC.	INCH	mm	ANGLE
.X	±0.1	[±2.5]	±0.5°
.XX	±0.02	[±0.51]	
.XXX	±0.005	[±0.127]	
.XXXX	±0.0005	[±0.0127]	
REMOVE BURRS & BREAK SHARP EDGES .003/.015 [.076/.381] X 45°			
CORNER FILLETS R.02 [.51]			
MACHINED SURFACES			
$\sqrt[.125]{\text{INCH}}$ / $\sqrt[3.2]{\text{mm}}$			
mm SHOWN IN [BRACKETS]			

DRAWN BY: J. RUPERT
DATE: 10-17-2011
APPROVED BY: J. RUPERT
DATE: 10-17-2011
REFERENCE
THIRD ANGLE PROJECTION

REGAL ™		Regal Beloit America, Inc.	
DESCRIPTION CONN DIAGRAM-EXTERNAL NAMEPLATE			
MATERIAL		PROCESS/FINISH	
SIZE A	DWG NO 4 of 4	614131-039	
			SHEET 1

COPYRIGHT REGAL BELOIT AMERICA, INC. ALL RIGHTS RESERVED. PROPRIETARY AND CONFIDENTIAL INFORMATION - THIS DOCUMENT IS THE PROPERTY OF REGAL BELOIT AMERICA, INC. ("OWNER") AND CONTAINS OWNER'S PROPRIETARY INFORMATION. ANY PERSON, CORPORATION OR OTHER FIRM RECEIVING IT IS DEEMED, BY RECEIVING IT, TO AGREE THAT IT, AND/OR ANY PART OF IT, SHALL NOT BE DISCLOSED TO ANY PERSON, CORPORATION OR OTHER ENTITY, DUPLICATED, AND/OR USED, EXCEPT AS EXPRESSLY APPROVED IN WRITING IN ADVANCE BY OWNER. THIS DOCUMENT SHALL BE RETURNED TO OWNER UPON REQUEST. IT MAY BE SUBJECT TO CERTAIN RESTRICTIONS UNDER APPLICABLE EXPORT CONTROL LAWS AND REGULATIONS.