

PRODUCT INFORMATION PACKET



Model No: OLE1038
Catalog No: OLE1038
1/3 HP OEM Replacement Motor, 825 RPM, 230 Volts, 48 Frame, Semi Enclosed
OEM Replacement Motors



Regal and Century are trademarks of Regal Rexnord Corporation or one of its affiliated companies.
©2021 Regal Rexnord Corporation, All Rights Reserved. MC017097E





Nameplate Specifications

Output HP	1/3 Hp	Output KW	0.25 kW
Frequency	60 Hz	Voltage	230 V
Current	2.8 A	Speed	825 rpm
Service Factor	1	Phase	1
Duty	Air Over	Insulation Class	B
Frame	48Y	Enclosure	Semi Enclosed
Thermal Protection	Automatic	Ambient Temperature	40 °C
UL	Recognized	CSA	Y
CE	N	Number of Speeds	1

Technical Specifications

Electrical Type	Permanent Split Capacitor	Starting Method	Across The Line
Poles	8	Rotation	Reversible
Mounting	Resilient Rings	Motor Orientation	Horizontal
Drive End Bearing	Sleeve	Opp Drive End Bearing	Sleeve
Frame Material	Rolled Steel	Shaft Type	Flat
Overall Length	9.80 in	Frame Length	5.25 in
Shaft Diameter	0.500 in	Shaft Extension	3.4 in
Connection Drawing	614131-112	Outline Drawing	OLE1038-S01

This is an uncontrolled document once printed or downloaded and is subject to change without notice. Date Created:10/12/2021

GENERAL INFORMATION:

SHAFT RUNOUT: .001[.03] T.I.R. PER INCH LENGTH OF EXTENSION.

END PLAY: .010[.03] TO .063[1.60]

BEARINGS: SLEEVE

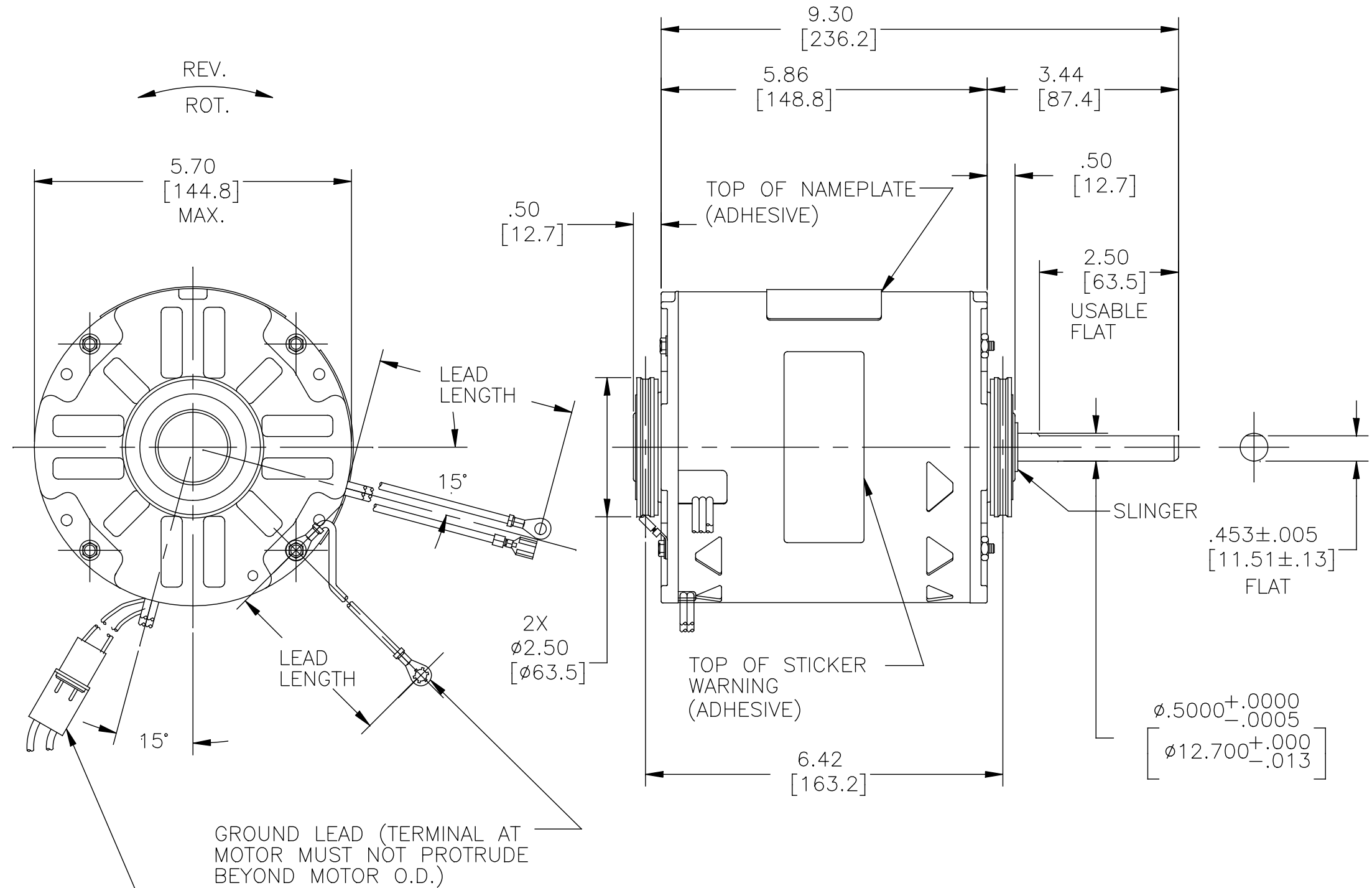
MOUNTING POSITION: HORIZONTAL

ELECTRICAL DATA:

OVERLOAD PROTECTOR: AUTOMATIC RESET (T.I. 7AM 036)

LEADS: NO. 18 GA., .06[1.5] THK., PVC 105°C INSUL.

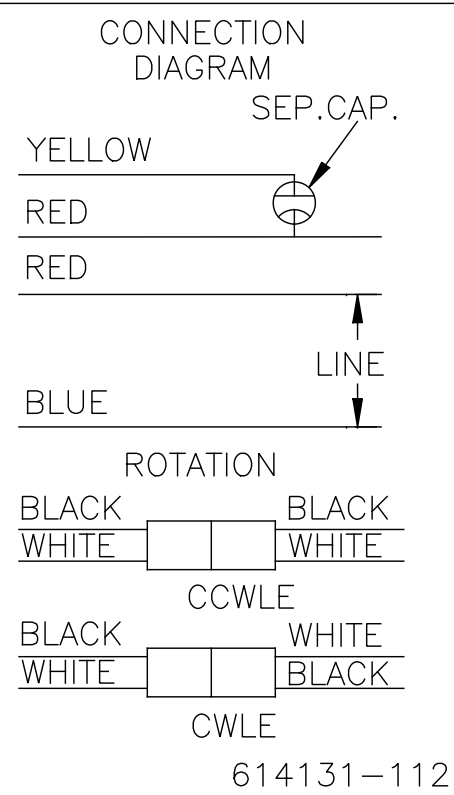
GROUND LEAD: NO. 18 GA., .03[.8] THK., (GREEN) INSUL.



NAMEPLATE DATA:

MODEL NO.: F48D59A01
 CUST. P/N: OLE1038
 HP: 1/3
 ROT.: REVERSIBLE
 RPM: 825
 TYPE: UF
 FRAME: 48Y
 VOLTS: 230
 PH: 1
 AMPS: 2.8 (3.8 MAX)
 HZ: 60
 INS.: B
 AMB.: 40° C
 DUTY: AIR OVER
 CAP.: 4 MFD/370 V
 ENCL: SEMI-ENCL
 CSA LOGO
 UL LOGO
 THERMALLY PROTECTED

EXTERNAL CONNECTION DIAGRAM



PERFORMANCE CURVE NO.	TORQUE @ 825 RPM (25°C)	APPROVED SAMPLE	UL COMPONENT FILE #	CCN #	CSA FILE #	CLASS #
C30956	40.5 OZ. FT.	93AC110B	E46412	PRGY2	LR43341	4211-01

COLOR	LENGTH	TERMINAL OR STRIP LENGTH
GREEN(GRD)	27.0/29.0 [686/737]	#10 EYELET
YELLOW	27.0/29.0 [686/737]	.25[6.4] FEMALE SPADE
RED	27.0/29.0 [686/737]	.25[6.4] FEMALE SPADE
RED	47.0/51.0 [1194/1295]	#10 EYELET
BLUE	47.0/51.0 [1194/1295]	#10 EYELET

REGAL-BELOIT CORPORATION (RBC) PROVIDES TECHNICAL ASSISTANCE TO OUR CUSTOMERS IN SEVERAL AREAS. SINCE RBC DOES NOT RECEIVE ALL DATA CONCERNING THE USE AND APPLICATION OF THE MOTOR, THE SUITABILITY OF THE MOTOR FOR THE APPLICATION MUST BE DETERMINED BY THE CUSTOMER.

DIMENSIONS WITHOUT TOLERANCES ARE FOR REFERENCE ONLY.

MAIN FRAME - OLE	SEMI-ENCL
END FRAME - OLE	OPEN
MAIN FRAME - LE	SEMI-ENCL
END FRAME - LE	OPEN

CUSTOMER DISTRIBUTION SERVICES

DRAWING REVISION	REVISION BY	DATE
B	J. CHAI	07-04-2016
ECO	APPROVED BY C.ZHANG	DATE 07-04-2016

ECO DESCRIPTION SEE ECO

COPYRIGHT REGAL-BELOIT AMERICA, INC. ALL RIGHTS RESERVED. PROPRIETARY AND CONFIDENTIAL INFORMATION - THIS DOCUMENT IS THE PROPERTY OF REGAL-BELOIT AMERICA, INC. (OWNER) AND CONTAINS OWNER'S PROPRIETARY INFORMATION. ANY PERSON, CORPORATION OR OTHER FIRM RECEIVING IT IS DEEMED, BY RECEIVING IT, TO AGREE THAT IT, AND/OR ANY PART OF IT, SHALL NOT BE DISCLOSED TO ANY PERSON, CORPORATION OR OTHER ENTITY, DUPLICATED, AND/OR USED, EXCEPT AS EXPRESSLY APPROVED IN WRITING IN ADVANCE BY OWNER. THIS DOCUMENT SHALL BE RETURNED TO OWNER UPON REQUEST. IT MAY BE SUBJECT TO CERTAIN RESTRICTIONS UNDER APPLICABLE EXPORT CONTROL LAWS AND REGULATIONS.

DRAWN BY: B.ZHAO
 DATE: 01-19-2012
 APPROVED BY: B.SHEN
 DATE: 01-19-2012
 PROCESS/FINISH: -

REGAL™ Regal Beloit America, Inc.
 DESCRIPTION MODEL-RFHP-48FR OUTLINE
 MATERIAL -

THIRD ANGLE PROJECTION SIZE DWG NO. OLE1038 SHEET 1