

PRODUCT INFORMATION PACKET



Model No: OLE1038V1
Catalog No: OLE1038V1

OEM Replacement Motor, 1/3 HP, 1 Ph, 60 Hz, 230 V, 825 RPM, 1 Speed, 48 Frame, SEMI ENCL



Regal and Century are trademarks of Regal Rexnord Corporation or one of its affiliated companies.
©2025 Regal Rexnord Corporation, All Rights Reserved. MC017097E





Nameplate Specifications

Phase	1	Output HP	1/3 Hp
Output KW	0.25 kW	Voltage	230 V
Speed	825 rpm	Service Factor	1.0
Frame	48Y	Enclosure	Semi Enclosed
Thermal Protection	Automatic	Ambient Temperature	40 °C
Frequency	60 Hz	Current	2.1 A
Duty	Air Over	Insulation Class	B
UL	Recognized	CSA	Y
CE	N	Number of Speeds	1

Technical Specifications

Electrical Type	Permanent Split Capacitor	Starting Method	Across The Line
Poles	8	Rotation	Counterclockwise Lead End
Mounting	Resilient Rings	Motor Orientation	Horizontal
Drive End Bearing	Ball	Opp Drive End Bearing	Ball
Frame Material	Rolled Steel	Shaft Type	Flat
Overall Length	9.74 in	Frame Length	5.13 in
Shaft Diameter	0.500 in	Shaft Extension	3.5 in
Outline Drawing	12070-014	Connection Drawing	614131-321

This is an uncontrolled document once printed or downloaded and is subject to change without notice. Date Created:02/10/2025

4

3

2

1

REV	ECO	REV BY	DATE	APPD	DATE
C	0025556	F. MORENO	05-02-2012	M. AVILA	05-02-2012

GENERAL INFORMATION:

SHAFT RUNOUT: .001[.03] T.I.R. PER INCH LENGTH OF EXTENSION.

BEARINGS: BALL

MOUNTING POSITION: HORIZONTAL

ELECTRICAL DATA:

OVERLOAD PROTECTOR: AUTOMATIC RESET (T.I. 7AM 036)

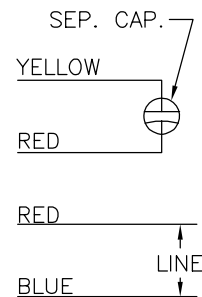
LEADS: NO. 18 AWG .06[1.5] THK., PVC 105°C INSUL.

GROUND LEAD: NO. 18 GA .03[.8] THK., GREEN INSUL.

NAMEPLATE DATA:

EXTERNAL CONNECTION DIAGRAM

MODEL NO.: F48V60A01
 CUST. P/N: OLE1038V1
 HP: 1/3
 ROT.: CCWLE
 RPM: 825
 TYPE: UF
 FRAME: 48Y
 VOLTS: 230
 PH: 1
 AMPS: 2.1
 HZ: 60
 INS.: B
 AMB.: 40° C
 DUTY: AIR OVER
 CAP.: 4 MFD/370 V
 ENCL: SEMI-ENCL.
 UL LOGO
 CSA LOGO
 THERMALLY PROTECTED



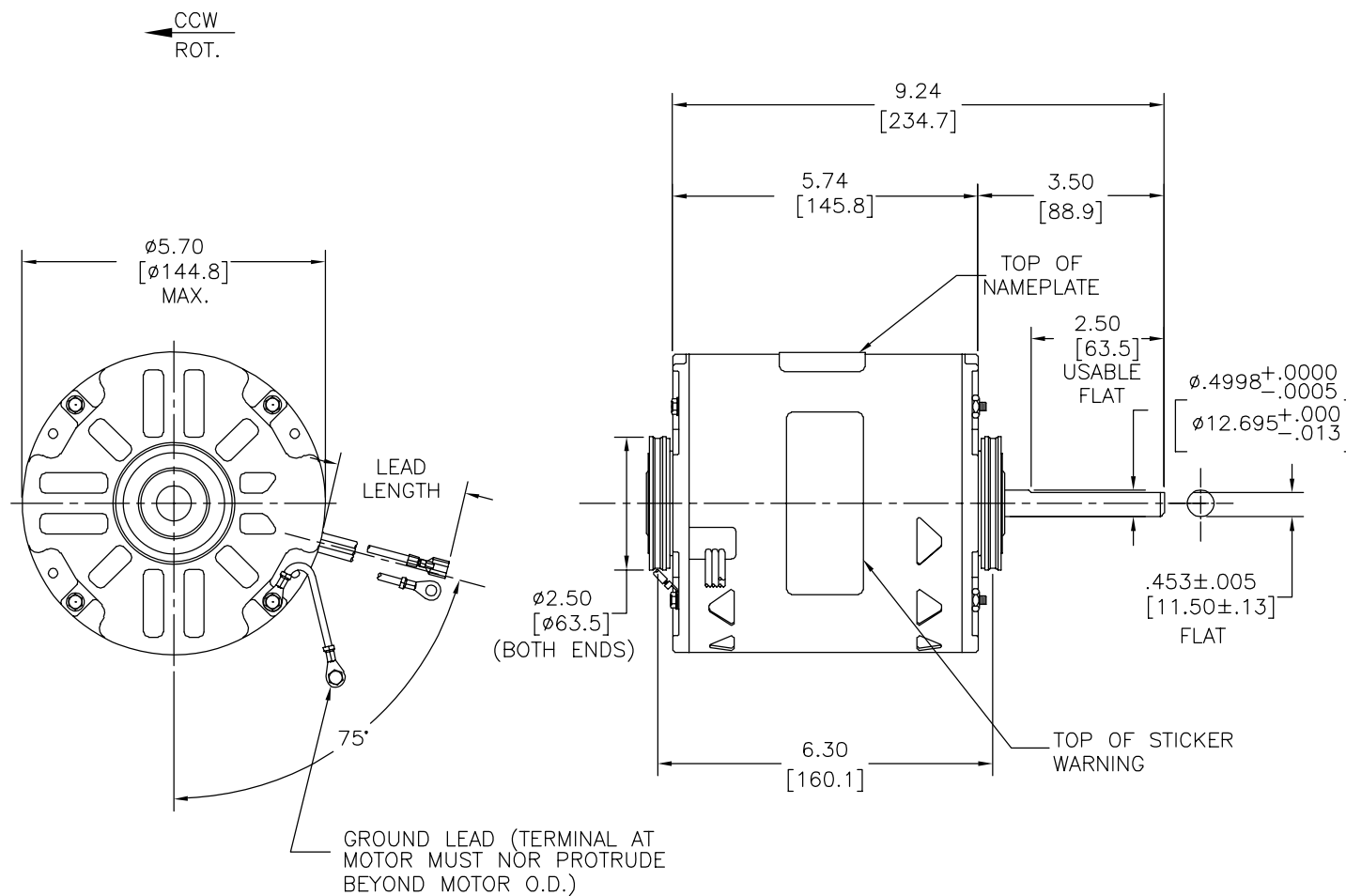
614131-321

PERFORMANCE CURVE NO.	TORQUE @ 825 RPM (25°C)	APPROVED SAMPLE	UL COMPONENT		CSA	
			FILE #	CCN #	FILE #	CLASS #
C32395	29 OZ. FT.	0442628B	E46412	PRGY2	LR43341	4211-01

GRN/YELLOW (GRD)	6.5/7.5 [165/191]	#10 EYELET
YELLOW	27/29 [686/737]	.25[6.4] FEMALE SPADE
RED	27/29 [686/737]	.25[6.4] FEMALE SPADE
BLUE	48/51 [1219/1295]	.19[4.8] FEMALE SPADE
RED	48/51 [1219/1295]	#10 RING
COLOR	LENGTH	TERMINAL OR STRIP LENGTH

MAIN FRAME - OLE	SEMI-ENCLOSED
END FRAME - OLE	OPEN
MAIN FRAME - LE	SEMI-ENCLOSED
END FRAME - LE	OPEN

CUSTOMER	DISTRIBUTION SERVICES
----------	-----------------------



D

D

C

C

B

B

A

A

GEOMETRIC CHARACTERISTICS & SYMBOLS
 □ FLATNESS
 - STRAIGHTNESS
 < ANGLARITY
 ⊥ PERPENDICULARITY (SQUARENESS)
 // PARALLELISM
 ○ ROUNDNESS (CIRCULARITY)
 ∅ CYLINDRICITY
 △ PROFILE OF ANY SURFACE
 ∩ PROFILE OF ANY LINE
 ↗ RUNOUT
 ⊕ TRUE POSITION
 ⊙ CONCENTRICITY
 = SYMMETRY
 ASME Y14.5M 1994

REGAL-BELOIT CORPORATION (RBC) PROVIDES TECHNICAL ASSISTANCE TO OUR CUSTOMERS IN SEVERAL AREAS. SINCE RBC DOES NOT RECEIVE ALL DATA CONCERNING THE USE AND APPLICATION OF THE MOTOR, THE SUITABILITY OF THE MOTOR FOR THE APPLICATION MUST BE DETERMINED BY THE CUSTOMER.
 DIMENSIONS WITHOUT TOLERANCES ARE FOR REFERENCE ONLY.

DR BY: GORDON 10-18-2004
 APPD: RILEY 10-20-2004
 THIRD ANGLE PROJECTION
 EDS DATE 11-11-2011
 FORMAT REV G
 CONFIDENTIAL: THIS DRAWING AND ITS INFORMATION ARE THE EXCLUSIVE AND CONFIDENTIAL PROPERTY OF REGAL-BELOIT CORPORATION AND ARE NOT TO BE DISCLOSED, DUPLICATED, DISTRIBUTED OR OTHERWISE USED WITHOUT THE WRITTEN CONSENT OF REGAL-BELOIT CORPORATION. -ALL RIGHTS RESERVED.

REGAL-BELOIT CORPORATION
 DESCRIPTION: MODEL-RFHP-48FR OUTLINE
 SIZE C DWG NO 12070-014
 SCALE NONE SHEET 1

4

3

2

1

4

3

2

1

REVISION:	ECO	REVISADO POR:	FECHA:	APROBADO POR:	FECHA:
C	0025556	F. MORENO	05-02-2012	M. AVILA	05-02-2012

INFORMACION GENERAL:

OSCILACION DE FLECHA:

BALEROS:

POSICION DEL MONTAJE:

INFORMACION ELECTRICA:

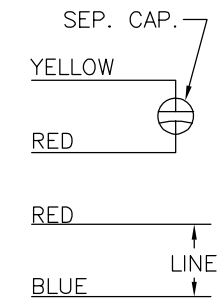
PROTECTOR DE SOBRECARGA

CABLES:

CABLE DE TIERRA:

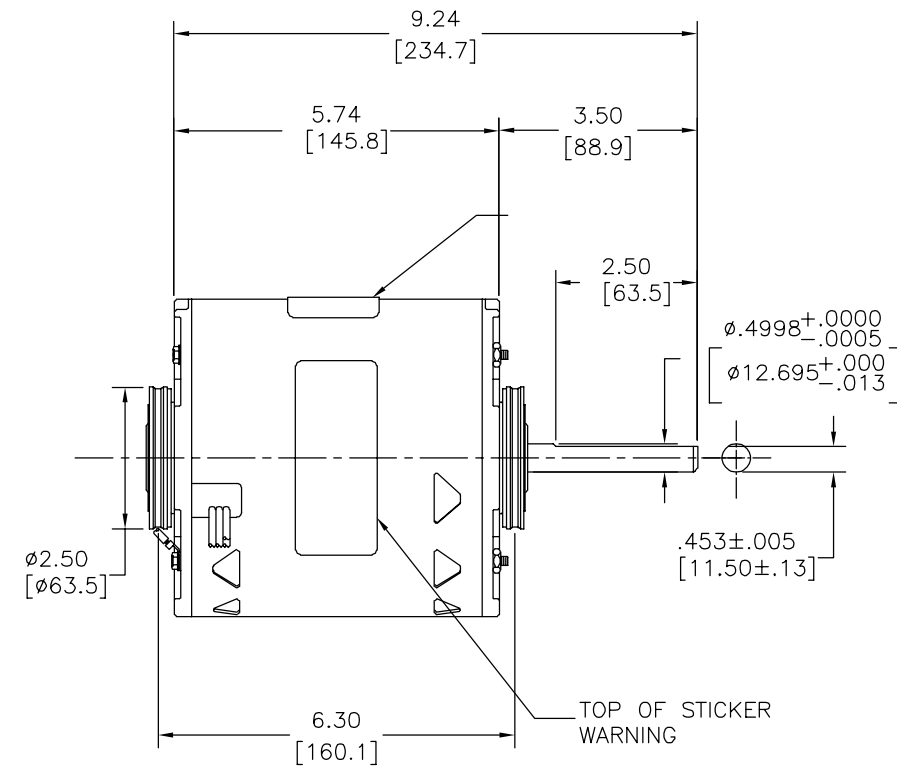
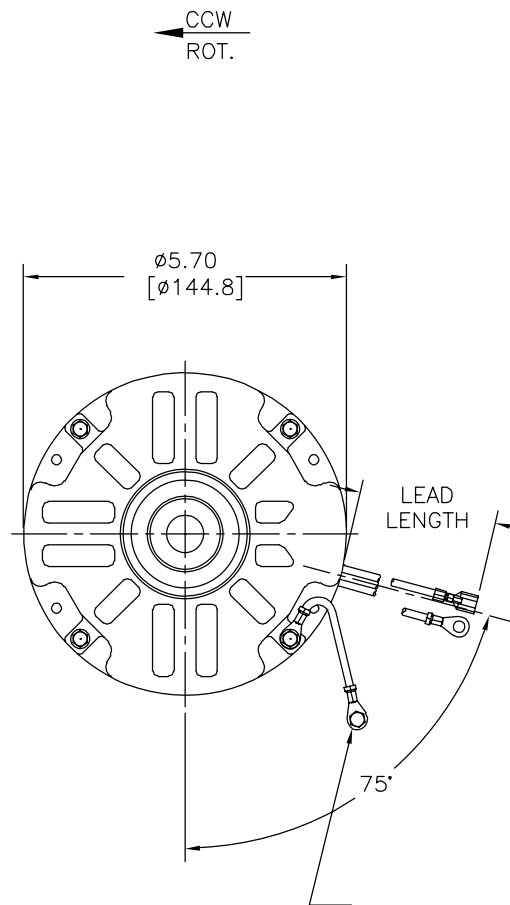
INFORMACION DE ETIQUETA:	DIAGRAMA DE CONEXION EXTRNA
--------------------------	-----------------------------

MODEL NO.: F48V60A01
 CUST. P/N: OLE1038V1
 HP: 1/3
 ROT.: CCWLE
 RPM: 825
 TYPE: UF
 FRAME: 48Y
 VOLTS: 230
 PH: 1
 AMPS: 2.1
 HZ: 60
 INS.: B
 AMB.: 40° C
 DUTY: AIR OVER
 CAP.: 4 MFD/370 V
 ENCL: SEMI-ENCL.
 UL LOGO
 CSA LOGO
 THERMALLY PROTECTED



614131-321

CURVAS DE FUNCIONAMIENTO	TORSION @ RPM (25°C)	MUESTRA APROBADA	COMPONENTE UL		CSA	
			#ARCHIVO	CCN #	#ARCHIVO	CLASE #
C32395	29 OZ. FT.	0442628B	E46412	PRGY2	LR43341	4211-01



	6.5/7.5	
	[165/191]	
	27/29	
	[686/737]	
	27/29	
	[686/737]	
	48/51	
	[1219/1295]	
	48/51	
	[1219/1295]	
COLOR	LONGITUD	TERMINAL O LONGITUD DE DESFORRE

CARCASA - LOC	
TAPA - LOC	
CARCASA - LC	
TAPA - LC	

CLIENTE	DISTRIBUTION SERVICES
---------	-----------------------

CARACTERISTICAS DE GEOMETRIA Y SIMBOLOS
 ▽ PLANICIDAD
 - RECTITUD
 < ANGULARIDAD
 ⊥ PERPENDICULARIDAD (A ESCUADRA)
 // PARALELISMO
 ○ REDONDEZ (CIRCULARIDAD)
 ∅ CILINDRICIDAD
 △ PERFIL DE CUALQUIER SUPERFICIE
 ∇ PERFIL DE CUALQUIER LINEA
 ↗ VARIACION
 ⊕ POSICION REAL
 ⊙ CONCENTRICIDAD
 = SIMETRIA
 ASME Y14.5M 1994

REGAL-BELOIT CORPORATION (RBC) PROVEE ASISTENCIA TECNICA A NUESTROS CLIENTES EN VARIAS AREAS. DESDE QUE RBC NO RECIBE TODOS LOS DATOS EN RELACION AL USO Y A LA APLICACION DEL MOTOR, LA APLICACION ADECUADA DEL MOTOR DEBE SER DETERMINADA POR EL CLIENTE.

DIMENSIONES SIN TOLERANCIA SON DE REFERENCIA SOLAMENTE

DIBUJADO POR: GORDON 10-18-2004
 APROBADO POR: RILEY 10-20-2004
 TERCER ANGULO DE PROYECCION
 CONFIDENCIAL: ESTE DIBUJO Y SU INFORMACION SON PROPIEDAD DE USO EXCLUSIVO Y CONFIDENCIAL DE REGAL-BELOIT CORPORATION. Y NO DEBERAN SER REVELADOS, DUPLICADOS, DISTRIBUIDOS O USARSE DE OTRA MANERA SIN EL CONSENTIMIENTO ESCRITO DE REGAL-BELOIT CORPORATION. -TODOS LOS DERECHOS RESERVADOS.



DESCRIPCION: MODEL-RFHP-48FR OUTLINE
 TAMAÑO: C NUMERO DE DIBUJO: 12070-014
 ESCALA: NONE HOJA: 1

4

3

2

1

4

3

2

1

总技术要求:

轴跳动:

轴承:

安装位置:

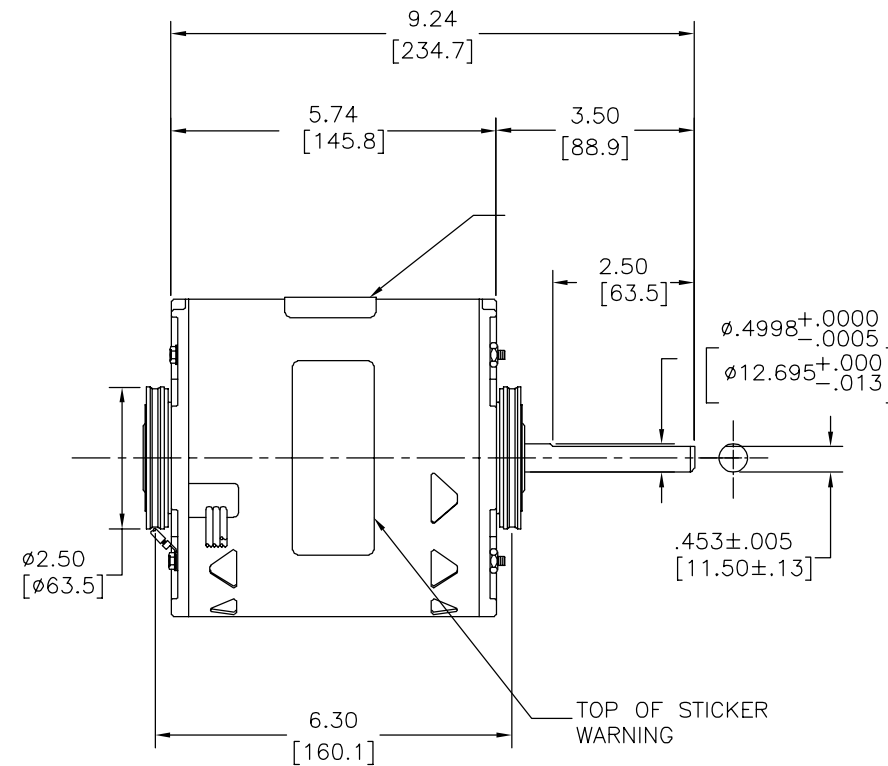
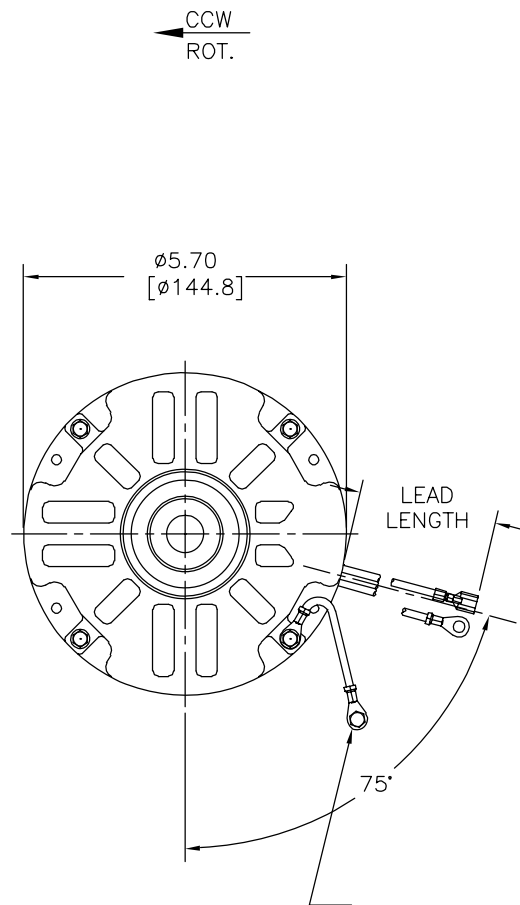
电气数据:

过载保护:

引线:

接地线:

版本	ECO	编制	日期	批准	日期
C	0025556	F. MORENO	05-02-2012	M. AVILA	05-02-2012



铭牌数据	外部数据线
MODEL NO.: F48V60A01 CUST. P/N: OLE1038V1 HP: 1/3 ROT.: CCWLE RPM: 825 TYPE: UF FRAME: 48Y VOLTS: 230 PH: 1 AMPS: 2.1 HZ: 60 INS.: B AMB.: 40° C DUTY: AIR OVER CAP.: 4 MFD/370 V ENCL: SEMI-ENCL. UL LOGO CSA LOGO THERMALLY PROTECTED	SEP. CAP. YELLOW RED RED BLUE LINE
	614131-321

颜色	长度	端子或剥线长度
	6.5/7.5 [165/191]	
	27/29 [686/737]	
	27/29 [686/737]	
	48/51 [1219/1295]	
	48/51 [1219/1295]	

无引线端机壳	
无引线端端盖	
有引线端机壳	
有引线端端盖	

用户	DISTRIBUTION SERVICES
----	-----------------------

性能曲线编号	转矩在---RPM (25° C)	批准样品	UL部件		CSA	
C32395	29 OZ. FT.	0442628B	文件号	指南	文件号	指南
			E46412	PRGY2	LR43341	4211-01

- 形位公差
- 平面度
- 直线度
- ∠ 倾斜度
- ⊥ 垂直度
- // 平行度
- 圆度
- ⊘ 圆柱度
- △ 面轮廓度
- ∩ 线轮廓度
- ↗ 圆跳动
- ⊕ 位置度
- ⊙ 同轴度
- ≡ 对称度

ASME Y14.5M 1994

REGAL-BELOIT CORPORATION (RBC) 在个别领域为客户提供技术支持。鉴于RBC未收到任何涉及电机使用和应用环境的数据，电机的适用性由客户自己决定。

未注公差尺寸仅供参考。

绘图:	GORDON	10-18-2004
批准:	RILEY	10-20-2004
第三角投影		图纸格式发布日期 11-11-2011 图纸格式版本 G
机密: 本图纸及相关信息所有权归REGAL-BELOIT CORPORATION。未经REGAL-BELOIT CORPORATION书面授权, 不得泄露、复制、传播或作其他用途。—版权所有		

名称 MODEL-RFHP-48FR OUTLINE	
图幅 C	图号 12070-014
比例 NONE	页号 1

4

3

2

1

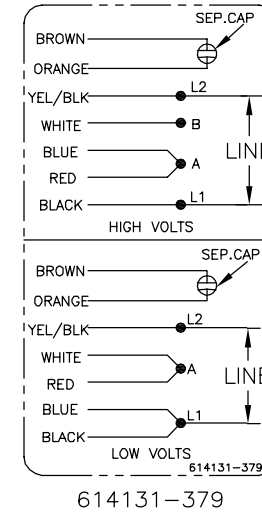
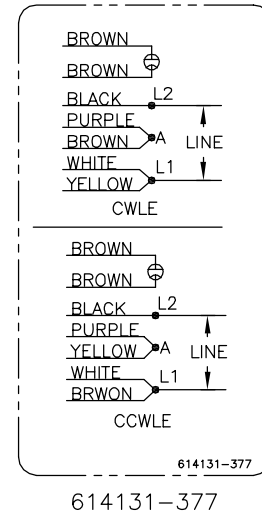
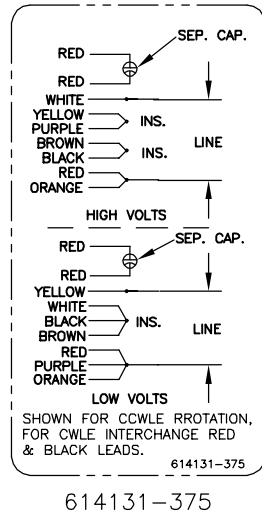
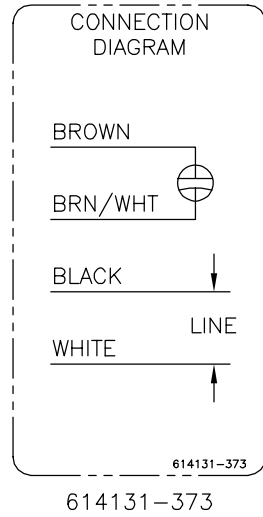
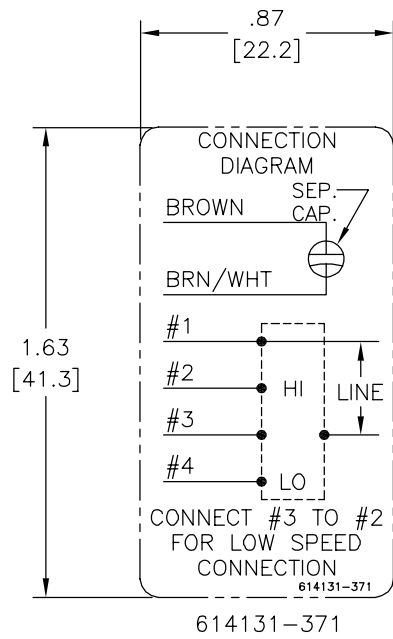
4

3

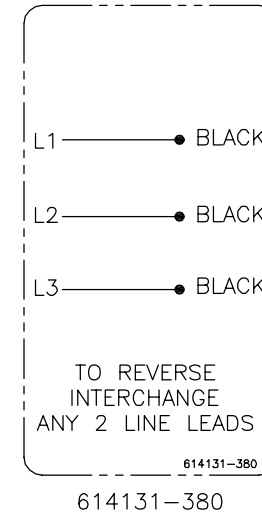
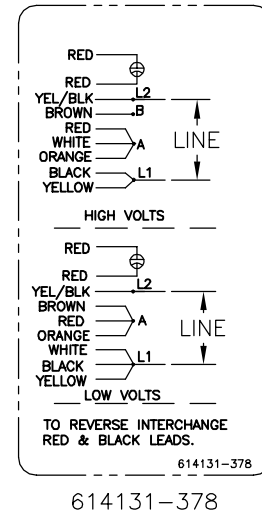
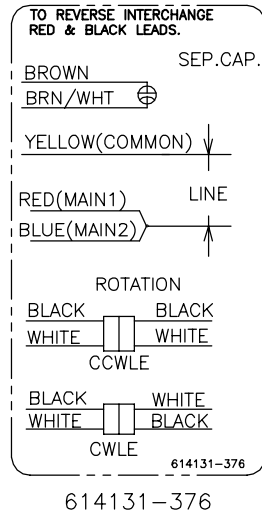
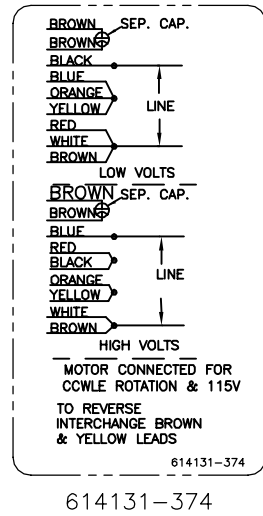
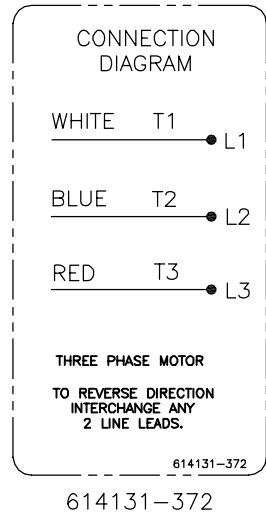
2

1

REV	REFERENCE ECN	REFERENCE PROJECT	REV BY	DATE	APPD	DATE
D.04	00017504	0703436	Hong	04/09/2008		



LOW VOLTS (CWLE)



NOTES:

- FOR USE WITH 614129 NAMEPLATE BLANK
- INDICATES DIMENSION LIMITS
- DIE TO BE MADE FROM MASTER SUPPLIED BY A. O. SMITH CORPORATION
- DIE MUST PRODUCE A LEGIBLE IMPRESSION.

GEOMETRIC CHARACTERISTICS & SYMBOLS

- FLATNESS
- STRAIGHTNESS
- ∠ ANGULARITY
- ⊥ PERPENDICULARITY (SQUARENESS)
- // PARALLELISM
- ROUNDNESS (CIRCULARITY)
- ⊘ CYLINDRICITY
- △ PROFILE OF ANY SURFACE
- ∇ PROFILE OF ANY LINE
- ↗ RUNOUT
- ⊕ TRUE POSITION
- ⊙ CONCENTRICITY
- ≡ SYMMETRY

UNLESS OTHERWISE SPECIFIED DIM. TOLERANCES ARE AS FOLLOWS:

INCH	X	XX	XXX	XXXX
	±.1	±.02	±.005	±.0005
mm	±0.5	±0.13	±0.013	
ANG. ±.50 DEG				
REMOVE BURRS & BREAK SHARP EDGES:				
INCH	.003-.015	mm	0.1-0.4	
CORNER FILLETS TO:				
INCH	.020	mm	0.5	
MACHINE SURFACES:				
INCH	125	mm	3.2	
METRIC DIMS. SHOWN IN [BRACKETS]				

DR BY:	jrupert	08-15-2007
APPD:	cbranch	08/15/2007
THIRD ANGLE PROJECTION	⊕	EDS DATE 01-21-2007 FORMAT REV E
CONFIDENTIAL: THIS DRAWING AND ITS INFORMATION ARE THE EXCLUSIVE AND CONFIDENTIAL PROPERTY OF A.O. SMITH CORP. AND ARE NOT TO BE DISCLOSED, DUPLICATED, DISTRIBUTED OR OTHERWISE USED WITHOUT THE WRITTEN CONSENT OF A.O. SMITH CORP. -ALL RIGHTS RESERVED. ASME Y14.5M 1994		

A.O. SMITH ELECTRICAL PRODUCTS COMPANY TIPP CITY, OHIO		A DIVISION OF A. O. SMITH CORPORATION COPYRIGHT 1995	
DESCRIPTION CONN DIAGRAM - EXTERNAL			
SIZE C	DWG NO 614131	-371 THRU -380	
SCALE NONE			SHEET 38

4

3

2

1

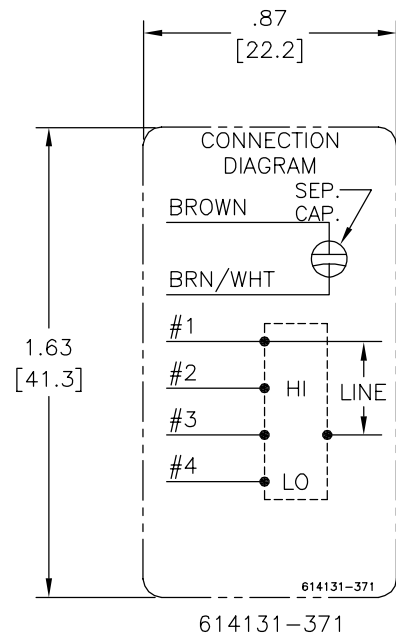
4

3

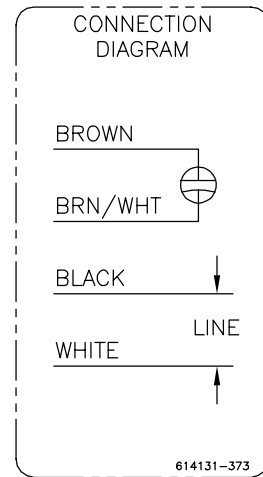
2

1

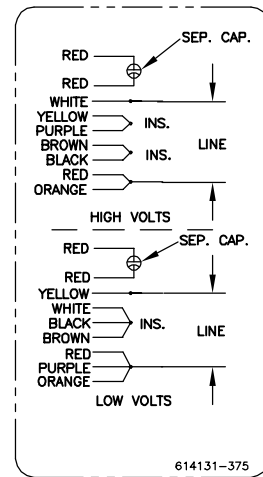
REVISION: D.04	ECN REFERENCIA: 00017504	PROYECTO REFERENCIA: 0703436	REVISADO POR: Hong	FECHA: 04/09/2008	APROBADO POR:	FECHA:
----------------	--------------------------	------------------------------	--------------------	-------------------	---------------	--------



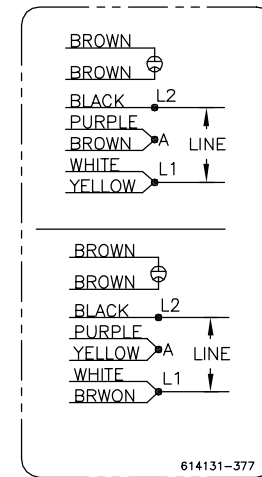
614131-371



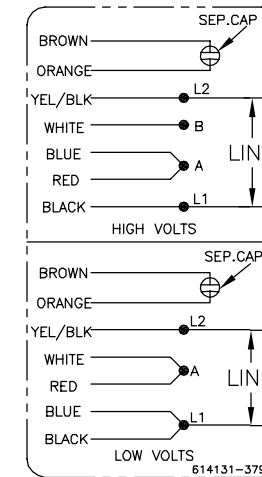
614131-373



614131-375

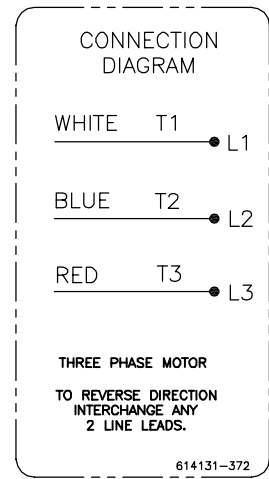


614131-377

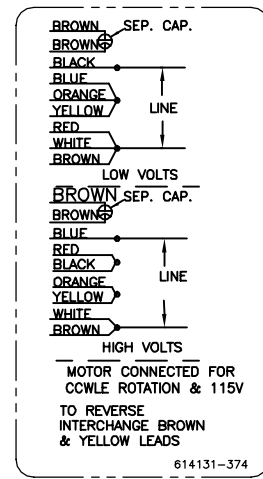


614131-379

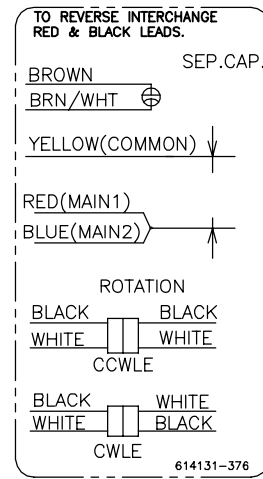
LOW VOLTS (CWLE)



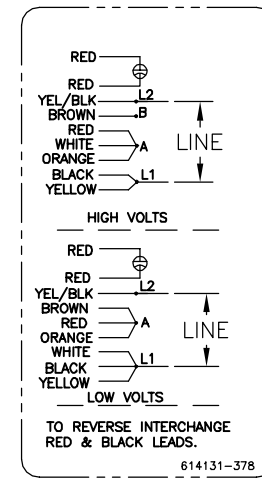
614131-372



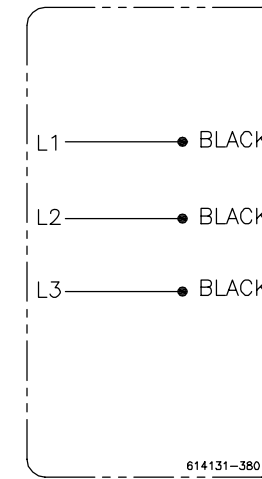
614131-374



614131-376



614131-378



614131-380

NOTES:

- FOR USE WITH 614129 NAMEPLATE BLANK
- INDICATES DIMENSION LIMITS
- DIE TO BE MADE FROM MASTER SUPPLIED BY A. O. SMITH CORPORATION
- DIE MUST PRODUCE A LEGIBLE IMPRESSION.

CARACTERISTICAS DE GEOMETRIA Y SIMBOLOS

- PLANICIDAD
- RECTITUD
- ∠ ANGULARIDAD
- ⊥ PERPENDICULARIDAD (A ESCUADRA)
- // PARALELISMO
- REDONDEZ (CIRCULARIDAD)
- ∅ CILINDRICIDAD
- △ PERFIL DE CUALQUIER SUPERFICIE
- ∧ PERFIL DE CUALQUIER LINEA
- ∩ VARIACION
- ⊕ POSICION REAL
- ⊙ CONCENTRICIDAD
- = SIMETRIA

A MENOS QUE SE ESPECIFIQUE DE OTRA MANERA, LAS TOLERANCIAS DE LAS DIMS; SON LAS SIGUIENTES:

	xx	xxx	xxxx
PULG	±.1	±.02	±.005 ±.0005
mm	±0.5	±0.13	±0.013
ANG.	±.50 GRADOS		
ELIMINAR REBABAS Y ORILLAS FILOSAS DEL BORDE.			
	PULG .003-.015	mm 0.1-0.4	
FILETEAR ESQUINA:	PULG .020 mm 0.5		
MAQUINAR SUPERFICIES	PULG 125 mm 3.2		
DIMS METRICAS MOSTRADAS [PARENTESIS]			

DIBUJADO POR: jrupert	08-15-2007
APROBADO POR: cbranh	08/15/2007
TERCER ANGULO DE PROYECCION	FECHA EDS: 01-21-2007
	REV. FORMATO: E
CONFIDENCIAL: ESTE DIBUJO Y SU INFORMACION SON PROPIEDAD DE USO EXCLUSIVO Y CONFIDENCIAL DE A.O.SMITH CORP. Y NO DEBERAN SER REVELADOS, DUPLICADOS, DISTRIBUIDOS O USARSE DE OTRA MANERA SIN EL CONSENTIMIENTO ESCRITO DE A.O. SMITH CORP. -TODOS LOS DERECHOS RESERVADOS.ASME Y14.5M 1994	

ELECTRICAL PRODUCTS COMPANY A DIVISION OF A. O. SMITH CORPORATION TIPP CITY, OHIO COPYRIGHT 1995	
DESCRIPCION: CONN DIAGRAM - EXTERNAL	
TAMAÑO: C	NUMERO DE DIBUJO: 614131 -371 THRU -380
ESCALA: NONE	HOJA: 38

4

3

2

1

