

PRODUCT INFORMATION PACKET



Model No: OLE1106

Catalog No: OLE1106

OEM Replacement Motor, 1 HP, 1 Ph, 60 Hz, 230 V, 1075 RPM, 1 Speed, 48 Frame, SEMI ENCL



Regal and Century are trademarks of Regal Rexnord Corporation or one of its affiliated companies.
©2025 Regal Rexnord Corporation, All Rights Reserved. MC017097E





Nameplate Specifications

Phase	1	Output HP	1 Hp
Output KW	0.75 kW	Voltage	230 V
Speed	1075 rpm	Service Factor	1.00
Frame	48Y	Enclosure	Semi Enclosed
Thermal Protection	Automatic	Efficiency	67 %
Ambient Temperature	40 °C	Frequency	60 Hz
Current	5.0 A	Duty	Air Over
Insulation Class	B	UL	Recognized
CSA	Y	CE	N
Number of Speeds	1		

Technical Specifications

Electrical Type	Permanent Split Capacitor	Starting Method	Across The Line
Poles	6	Rotation	Counterclockwise Lead End
Mounting	Round Belly Band	Motor Orientation	Vertical Shaft Up
Drive End Bearing	203 Ball	Opp Drive End Bearing	Ball
Frame Material	Rolled Steel	Shaft Type	Flat
Overall Length	10.86 in	Frame Length	5.25 in
Shaft Diameter	0.625 in	Shaft Extension	5 in
Connection Drawing	614131-036	Outline Drawing	11702-023-S01

This is an uncontrolled document once printed or downloaded and is subject to change without notice. Date Created:02/10/2025

4

3

2

1

GENERAL INFORMATION:

SHAFT RUNOUT: .001[.03] T.I.R. PER INCH LENGTH OF EXTENSION.
 BEARINGS: 203 BALL
 MOUNTING POSITION: VERTICAL SHAFT-UP

ELECTRICAL DATA:

OVERLOAD PROTECTOR: AUTOMATIC RESET (T.I. 7AM 036)
 LEADS: NO. 16 GA., .06[1.5] THK.,PVC 105°C INSUL.
 GROUND LEAD: NO. 14 GA., .03[.8] THK., GREEN INSUL.

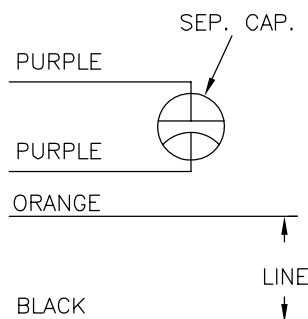
NOTES:
 1. DISTRIBUTION: CUST. P/N: OLE1106
 GRAINGER: CUST. P/N: 4UY51

SEE NOTE 1

NAMEPLATE DATA:

MODEL NO.: F48V01A01
 CUST. P/N: []
 HP: 1.00
 ROT: CCWLE
 RPM: 1075
 TYPE: UF
 FRAME: 48Y
 VOLTS: 230
 PH: 1
 AMPS: 5.0
 HZ: 60
 INS: B
 AMB: 40°C
 DUTY: AIR OVER
 ENCL.: SEMI-ENCLOSED
 CAP.: 20 MFD/370 VAC
 UL & CSA LOGO
 THERMALLY PROTECTED

EXTERNAL CONNECTION DIAGRAM



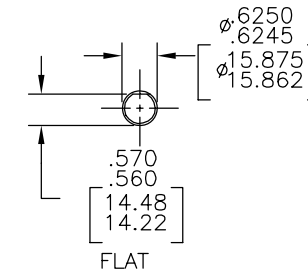
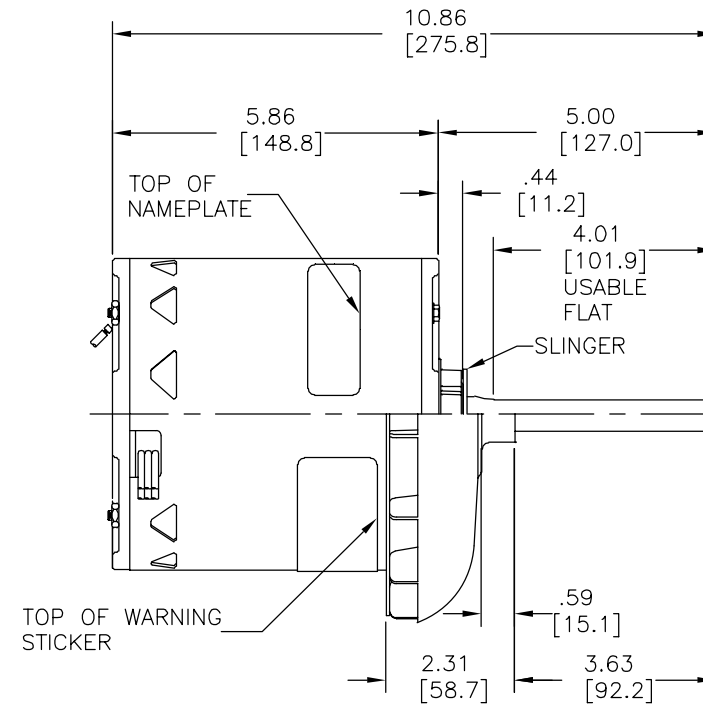
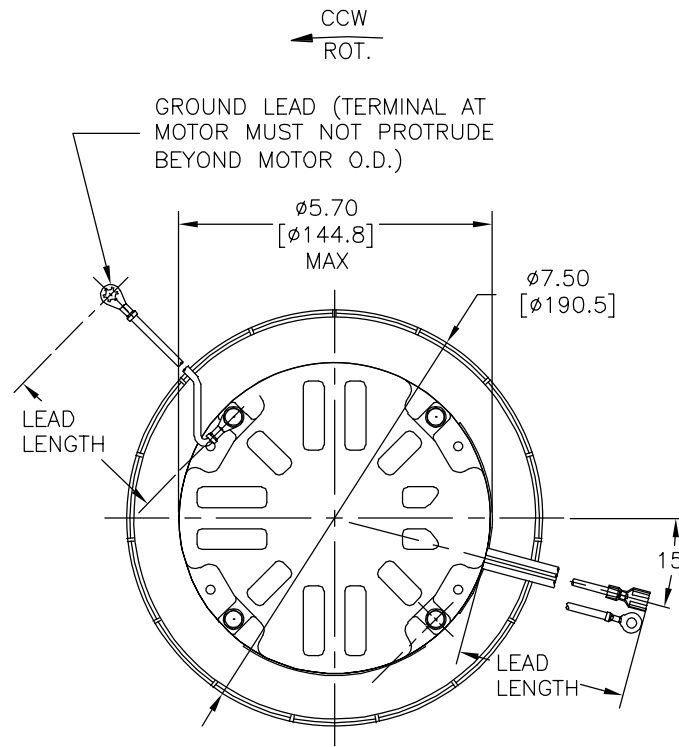
614131-036

PERFORMANCE CURVE NO.	TORQUE @1075 RPM (25°C)	APPROVED SAMPLE	UL COMPONENT		CSA	
			FILE #	CCN #	FILE #	CLASS #
C32281	94.2 OZ. FT.	0442686B	E46412	PRGY2	LR43341	4211-01

COLOR	LENGTH	TERMINAL OR STRIP LENGTH
GREEN (GND)	10/11 [254/279]	#10 EYELET
PURPLE	68/71 [1727/1803]	.25 FEMALE [6.4] SPADE
PURPLE	68/71 [1727/1803]	.25 FEMALE [6.4] SPADE
BLACK	77/80 [1956/2032]	#10 EYELET
ORANGE	77/80 [1956/2032]	#10 EYELET

LEAD DATA	
COLOR	LENGTH

REV	ECO	REV BY	DATE	APPD	DATE
E	0025556	F. MORENO	05-02-2012	M. AVILA	05-02-2012



MAIN FRAME - OLE	ENCLOSED
END FRAME - OLE	OPEN
MAIN FRAME - LE	OPEN
END FRAME - LE	OPEN

CUST. DIST. SERVICES

GEOMETRIC CHARACTERISTICS & SYMBOLS
 □ FLATNESS
 - STRAIGHTNESS
 < ANGLARITY
 ⊥ PERPENDICULARITY (SQUARENESS)
 // PARALLELISM
 ○ ROUNDNESS (CIRCULARITY)
 ∅ CYLINDRICITY
 △ PROFILE OF ANY SURFACE
 ∩ PROFILE OF ANY LINE
 ↗ RUNOUT
 ⊕ TRUE POSITION
 ⊙ CONCENTRICITY
 = SYMMETRY
 ASME Y14.5M 1994

REGAL-BELOIT CORPORATION (RBC) PROVIDES TECHNICAL ASSISTANCE TO OUR CUSTOMERS IN SEVERAL AREAS. SINCE RBC DOES NOT RECEIVE ALL DATA CONCERNING THE USE AND APPLICATION OF THE MOTOR, THE SUITABILITY OF THE MOTOR FOR THE APPLICATION MUST BE DETERMINED BY THE CUSTOMER.
 DIMENSIONS WITHOUT TOLERANCES ARE FOR REFERENCE ONLY.

DR BY: S.RECKERS 08-06-2004
 APPD: T.RILE 08-07-2004
 THIRD ANGLE PROJECTION
 EDS DATE 11-11-2011
 FORMAT REV G
 CONFIDENTIAL: THIS DRAWING AND ITS INFORMATION ARE THE EXCLUSIVE AND CONFIDENTIAL PROPERTY OF REGAL-BELOIT CORPORATION AND ARE NOT TO BE DISCLOSED, DUPLICATED, DISTRIBUTED OR OTHERWISE USED WITHOUT THE WRITTEN CONSENT OF REGAL-BELOIT CORPORATION. -ALL RIGHTS RESERVED.



DESCRIPTION: MODEL-RFHP-48FR OUTLINE
 SIZE: C DWG NO: 11702-023
 SCALE: NONE SHEET: 1

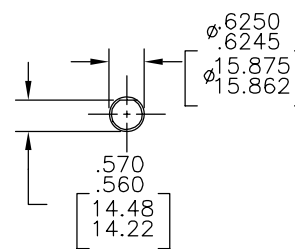
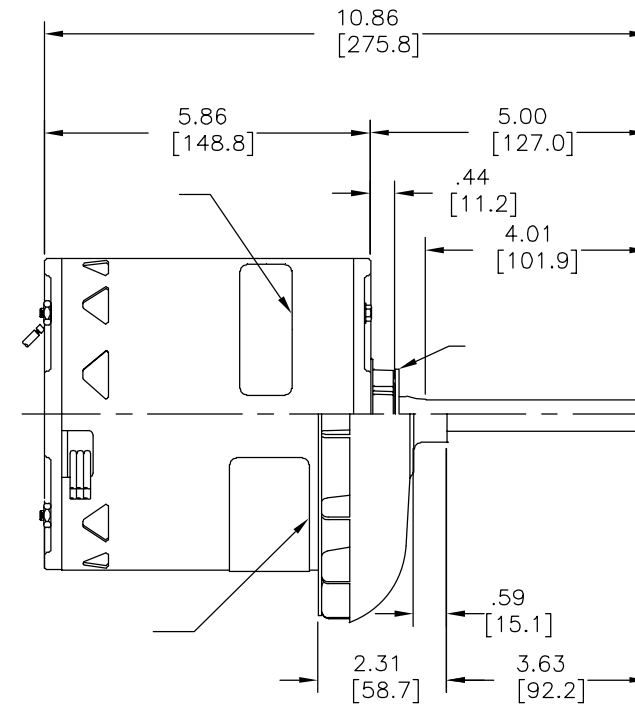
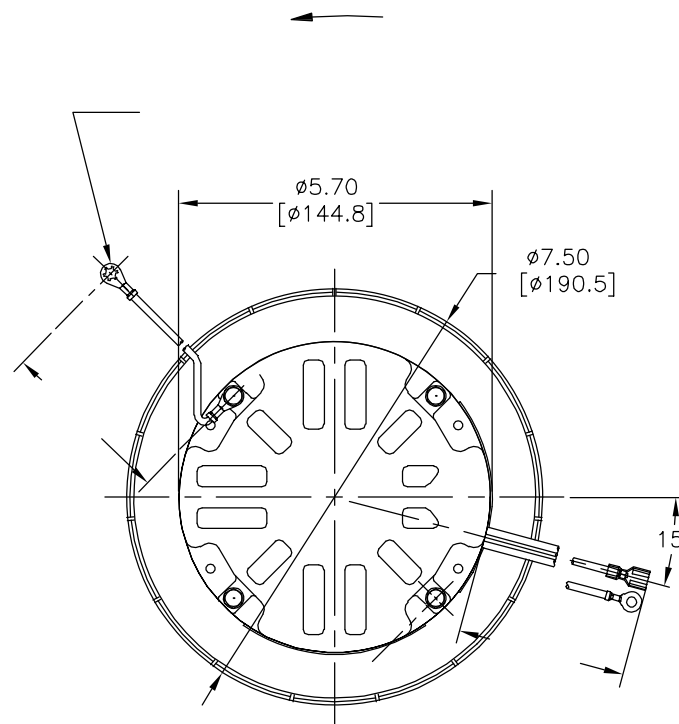
4

3

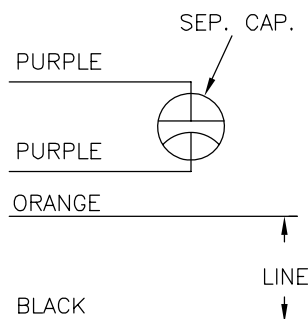
2

1

REVISION:	ECO	REVISADO POR:	FECHA:	APROBADO POR:	FECHA:
E	0025556	F. MORENO	05-02-2012	M. AVILA	05-02-2012



MODEL NO.: F48V01A01
 CUST. P/N: []
 HP: 1.00
 ROT: CCWLE
 RPM: 1075
 TYPE: UF
 FRAME: 48Y
 VOLTS: 230
 PH: 1
 AMPS: 5.0
 HZ: 60
 INS: B
 AMB: 40°C
 DUTY: AIR OVER
 ENCL.: SEMI-ENCLOSED
 CAP.: 20 MFD/370 VAC
 UL & CSA LOGO
 THERMALLY PROTECTED



614131-036

	10/11	
	[254/279]	
	68/71	.25
	[1727/1803]	[6.4]
	68/71	.25
	[1727/1803]	[6.4]
	77/80	
	[1956/2032]	
	77/80	
	[1956/2032]	

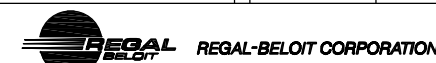
					CSA
C32281	94.2 OZ. FT.	0442686B	E46412	PRGY2	LR43341 4211-01

CARACTERISTICAS DE GEOMETRIA Y SIMBOLOS
 □ PLANICIDAD
 — RECTITUD
 < ANGULARIDAD
 ⊥ PERPENDICULARIDAD (A ESCUADRA)
 // PARALELISMO
 ○ REDONDEZ (CIRCULARIDAD)
 ∅ CILINDRICIDAD
 △ PERFIL DE CUALQUIER SUPERFICIE
 ∩ PERFIL DE CUALQUIER LINEA
 ↗ VARIACION
 ⊕ POSICION REAL
 ⊙ CONCENTRICIDAD
 = SIMETRIA
 ASME Y14.5M 1994

REGAL-BELOIT CORPORATION (RBC)
 PROVEE ASISTENCIA TECNICA A
 NUESTROS CLIENTES EN VARIAS AREAS.
 DESDE QUE RBC NO RECIBE TODOS
 LOS DATOS EN RELACION AL USO Y A
 LA APLICACION DEL MOTOR, LA
 APLICACION ADECUADA DEL MOTOR
 DEBE SER DETERMINADA POR EL
 CLIENTE.

DIMENSIONES SIN TOLERANCIA SON
 DE REFERENCIA SOLAMENTE

DIBUJADO POR: S.RECKERS
 08-06-2004
 APROBADO POR: T.RILE
 08-07-2004
 TERCER ANGULO DE PROYECCION
 FECHA EDS: 11-11-2011
 REV. FORMATO: G
 CONFIDENCIAL: ESTE DIBUJO Y SU INFORMACION SON PROPIEDAD DE USO EXCLUSIVO Y CONFIDENCIAL DE REGAL-BELOIT CORPORATION. Y NO DEBERAN SER REVELADOS, DUPLICADOS, DISTRIBUIDOS O USARSE DE OTRA MANERA SIN EL CONSENTIMIENTO ESCRITO DE REGAL-BELOIT CORPORATION. -TODOS LOS DERECHOS RESERVADOS.



DESCRIPCION: MODEL-RFHP-48FR
 OUTLINE
 TAMAÑO: C NUMERO DE DIBUJO: 11702-023
 ESCALA: NONE HOJA: 1

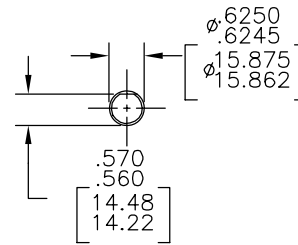
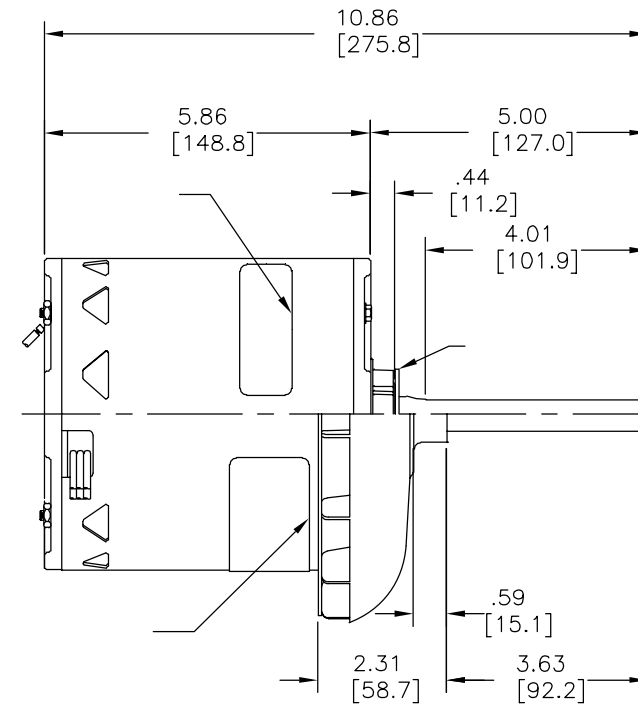
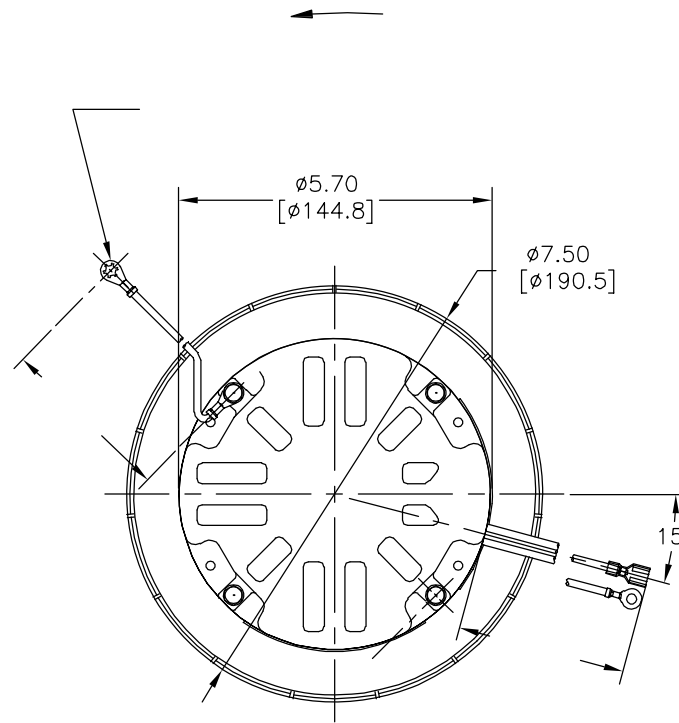
4

3

2

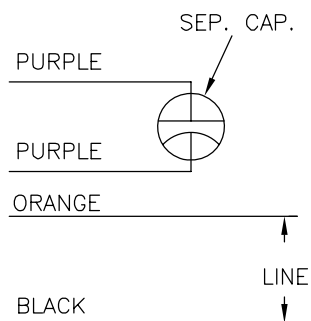
1

版本	ECO	编制	日期	批准	日期
E	0025556	F. MORENO	05-02-2012	M. AVILA	05-02-2012



SEE NOTE 1

MODEL NO.: F48V01A01
 CUST. P/N: []
 HP: 1.00
 ROT: CCWLE
 RPM: 1075
 TYPE: UF
 FRAME: 48Y
 VOLTS: 230
 PH: 1
 AMPS: 5.0
 HZ: 60
 INS: B
 AMB: 40°C
 DUTY: AIR OVER
 ENCL.: SEMI-ENCLOSED
 CAP.: 20 MFD/370 VAC
 UL & CSA LOGO
 THERMALLY PROTECTED



614131-036

	10/11	
	[254/279]	
	68/71	.25
	[1727/1803]	[6.4]
	68/71	.25
	[1727/1803]	[6.4]
	77/80	
	[1956/2032]	
	77/80	
	[1956/2032]	

						CSA
C32281	94.2 OZ. FT.	0442686B	E46412	PRGY2	LR43341	4211-01

- 形位公差
- 平面度
- 直线度
- ∠ 倾斜度
- ⊥ 垂直度
- // 平行度
- 圆度
- ⊘ 圆柱度
- △ 面轮廓度
- ∩ 线轮廓度
- ↗ 圆跳动
- ⊕ 位置度
- ⊙ 同轴度
- ≡ 对称度

ASME Y14.5M 1994

REGAL-BELOIT CORPORATION (RBC) 在个别领域为客户提供技术支持。鉴于RBC未收到任何涉及电机使用和应用环境的数据，电机的适用性由客户自己决定。

未注公差尺寸仅供参考。

绘图: S.RECKERS 08-06-2004
 批准: T.RILE 08-07-2004
 第三角投影
 图名: 电机格式发布日期 11-11-2011
 图名: 电机格式版本 G
 机密: 本图纸及相关信息所有权归REGAL-BELOIT CORPORATION。未经REGAL-BELOIT CORPORATION书面授权，不得泄露、复制、传播或作其他用途。一版权所有



名称: MODEL-RFHP-48FR OUTLINE
 图幅: C 图号: 11702-023
 比例: NONE 页号: 1

4

3

2

1

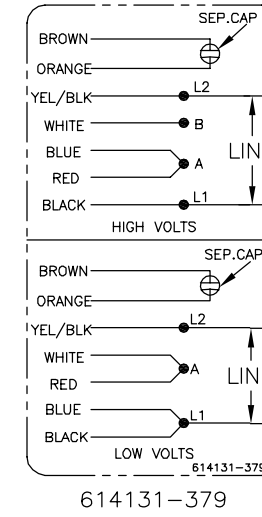
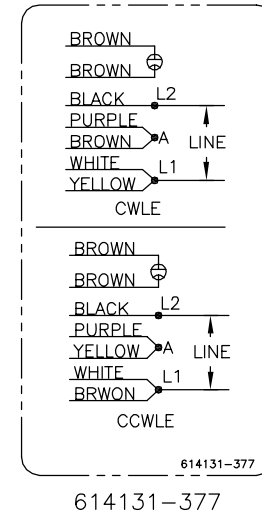
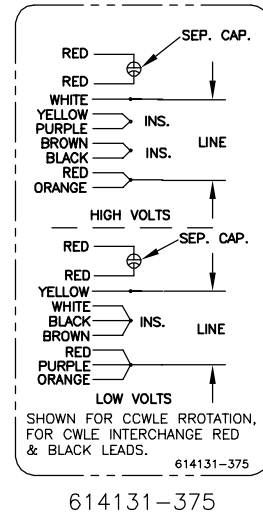
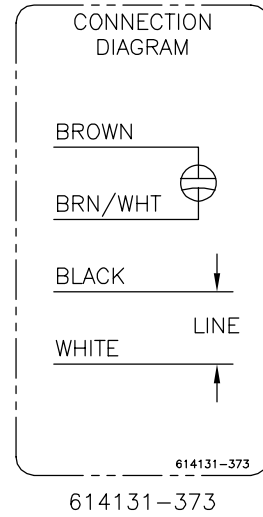
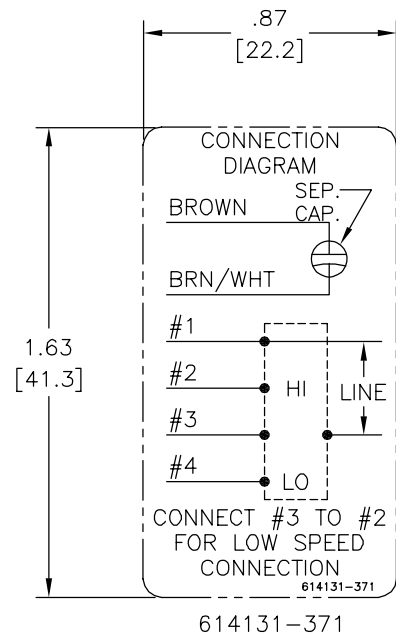
4

3

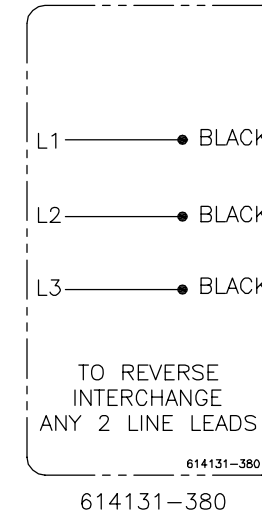
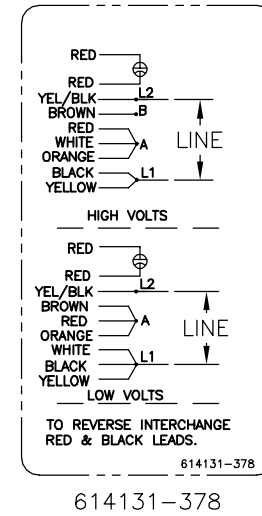
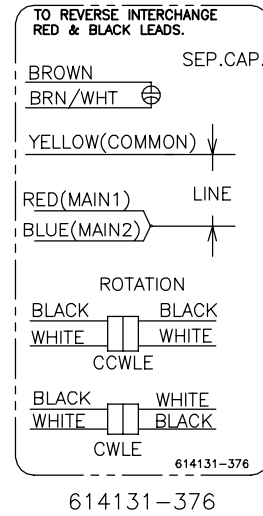
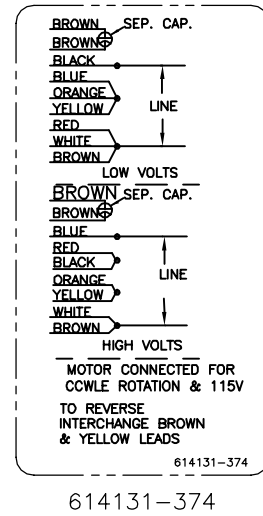
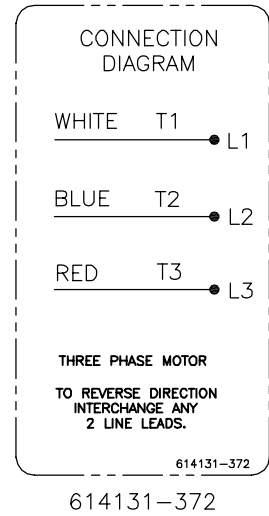
2

1

REV	REFERENCE ECN	REFERENCE PROJECT	REV BY	DATE	APPD	DATE
D.04	00017504	0703436	Hong	04/09/2008		



LOW VOLTS (CWLE)



NOTES:

- FOR USE WITH 614129 NAMEPLATE BLANK
- INDICATES DIMENSION LIMITS
- DIE TO BE MADE FROM MASTER SUPPLIED BY A. O. SMITH CORPORATION
- DIE MUST PRODUCE A LEGIBLE IMPRESSION.

GEOMETRIC CHARACTERISTICS & SYMBOLS

- FLATNESS
- STRAIGHTNESS
- ∠ ANGULARITY
- ⊥ PERPENDICULARITY (SQUARENESS)
- // PARALLELISM
- ROUNDNESS (CIRCULARITY)
- ⊘ CYLINDRICITY
- △ PROFILE OF ANY SURFACE
- ∇ PROFILE OF ANY LINE
- ↗ RUNOUT
- ⊕ TRUE POSITION
- ◎ CONCENTRICITY
- ≡ SYMMETRY

UNLESS OTHERWISE SPECIFIED DIM. TOLERANCES ARE AS FOLLOWS:

INCH	X	XX	XXX	XXXX
	±.1	±.02	±.005	±.0005
mm	±0.5	±0.13	±0.013	
ANG. ±.50 DEG				
REMOVE BURRS & BREAK SHARP EDGES:				
INCH	.003-.015	mm	0.1-0.4	
CORNER FILLETS TO:				
INCH	.020	mm	0.5	
MACHINE SURFACES:				
INCH	125	mm	3.2	
METRIC DIMS. SHOWN IN [BRACKETS]				

DR BY:	jrupert	08-15-2007
APPD:	cbranch	08/15/2007
THIRD ANGLE PROJECTION	⊕	EDS DATE 01-21-2007 FORMAT REV E
CONFIDENTIAL: THIS DRAWING AND ITS INFORMATION ARE THE EXCLUSIVE AND CONFIDENTIAL PROPERTY OF A.O. SMITH CORP. AND ARE NOT TO BE DISCLOSED, DUPLICATED, DISTRIBUTED OR OTHERWISE USED WITHOUT THE WRITTEN CONSENT OF A.O. SMITH CORP. -ALL RIGHTS RESERVED. ASME Y14.5M 1994		

A.O. SMITH ELECTRICAL PRODUCTS COMPANY TIPP CITY, OHIO		A DIVISION OF A. O. SMITH CORPORATION COPYRIGHT 1995	
DESCRIPTION CONN DIAGRAM - EXTERNAL			
SIZE C	DWG NO 614131	-371 THRU -380	
SCALE NONE			SHEET 38

4

3

2

1

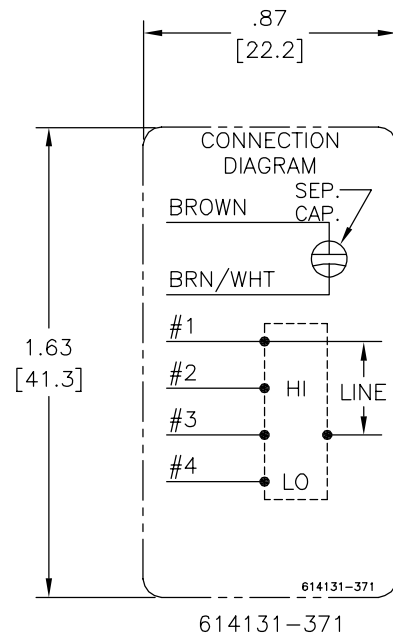
4

3

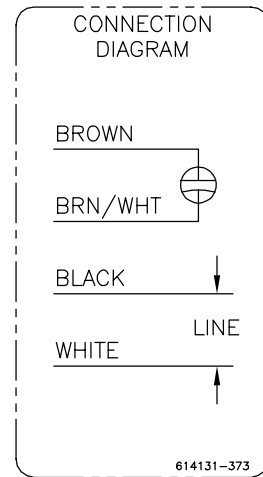
2

1

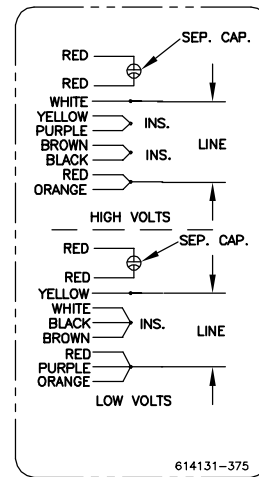
REVISION:	ECN REFERENCIA:	PROYECTO REFERENCIA:	REVISADO POR:	FECHA:	APROBADO POR:	FECHA:
D.04	00017504	0703436	Hong	04/09/2008		



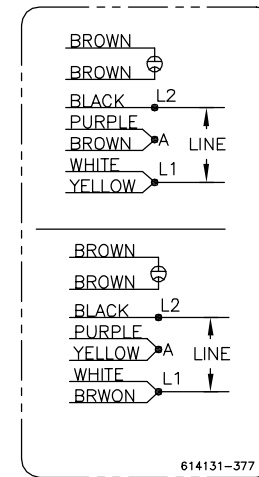
614131-371



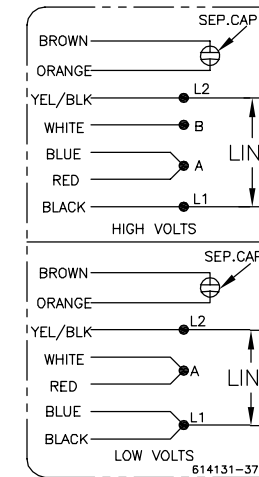
614131-373



614131-375

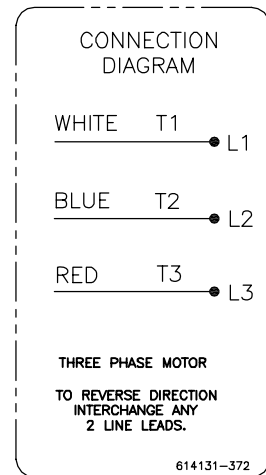


614131-377

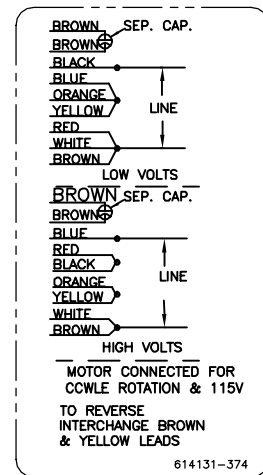


614131-379

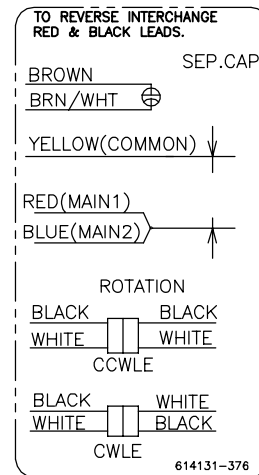
LOW VOLTS (CWLE)



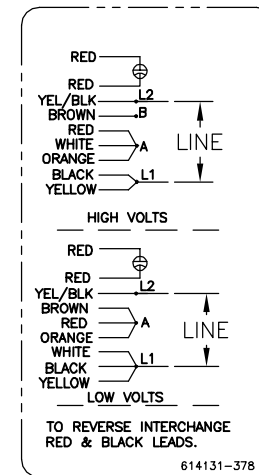
614131-372



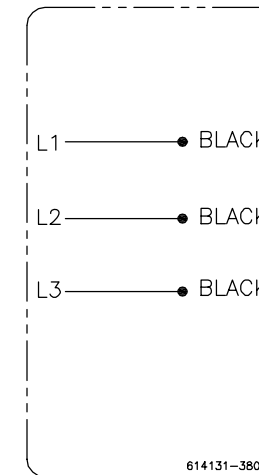
614131-374



614131-376



614131-378



614131-380

NOTES:

1. FOR USE WITH 614129 NAMEPLATE BLANK
2. ——— INDICATES DIMENSION LIMITS
3. DIE TO BE MADE FROM MASTER SUPPLIED BY A. O. SMITH CORPORATION
4. DIE MUST PRODUCE A LEGIBLE IMPRESSION.

CARACTERISTICAS DE GEOMETRIA Y SIMBOLOS

- PLANICIDAD
- RECTITUD
- ∠ ANGULARIDAD
- ⊥ PERPENDICULARIDAD (A ESCUADRA)
- // PARALELISMO
- REDONDEZ (CIRCULARIDAD)
- ∅ CILINDRICIDAD
- △ PERFIL DE CUALQUIER SUPERFICIE
- ∧ PERFIL DE CUALQUIER LINEA
- ∩ VARIACION
- ⊕ POSICION REAL
- ⊙ CONCENTRICIDAD
- = SIMETRIA

A MENOS QUE SE ESPECIFIQUE DE OTRA MANERA, LAS TOLERANCIAS DE LAS DIMS; SON LAS SIGUIENTES:

	xx	xxx	xxxx
PULG	±.1	±.02	±.005 ±.0005
mm	±0.5	±0.13	±0.013
ANG.	±.50 GRADOS		
ELIMINAR REBABAS Y ORILLAS FILOSAS DEL BORDE.			
	PULG .003-.015	mm 0.1-0.4	
FILETEAR ESQUINA:	PULG .020 mm 0.5		
MAQUINAR SUPERFICIES	PULG 125 mm 3.2		
DIMS METRICAS MOSTRADAS [PARENTESIS]			

DIBUJADO POR:	jrupert	08-15-2007
APROBADO POR:	cbranh	08/15/2007
TERCER ANGULO DE PROYECCION	⊕	FECHA EDS: 01-21-2007
CONFIDENCIAL: ESTE DIBUJO Y SU INFORMACION SON PROPIEDAD DE USO EXCLUSIVO Y CONFIDENCIAL DE A.O.SMITH CORP. Y NO DEBERAN SER REVELADOS, DUPLICADOS, DISTRIBUIDOS O USARSE DE OTRA MANERA SIN EL CONSENTIMIENTO ESCRITO DE A.O. SMITH CORP. -TODOS LOS DERECHOS RESERVADOS.ASME Y14.5M 1994	REV. FORMATO: E	

ELECTRICAL PRODUCTS COMPANY A DIVISION OF A. O. SMITH CORPORATION	
TIPP CITY, OHIO COPYRIGHT 1995	
DESCRIPCION: CONN DIAGRAM - EXTERNAL	
TAMAÑO: C	NUMERO DE DIBUJO: 614131 -371 THRU -380
ESCALA: NONE	HOJA: 38

4

3

2

1

