

PRODUCT INFORMATION PACKET



Model No: OLE1106H

Catalog No: OLE1106H

OEM Replacement Motor, 1 HP, 1 Ph, 60 Hz, 460 V, 1075 RPM, 1 Speed, 48 Frame, SEMI ENCLOSED



Regal and Century are trademarks of Regal Rexnord Corporation or one of its affiliated companies.

©2023 Regal Rexnord Corporation, All Rights Reserved. MC017097E





Nameplate Specifications

Phase	1	Output HP	1 Hp
Output KW	0.75 kW	Voltage	460 V
Speed	1075 rpm	Service Factor	1
Frame	48Y	Enclosure	Semi Enclosed
Thermal Protection	Automatic	Ambient Temperature	60 °C
Frequency	60 Hz	Current	2.9 A
Duty	Air Over	Insulation Class	B
UL	Recognized	CSA	Y
CE	N	Number of Speeds	1

Technical Specifications

Electrical Type	Permanent Split Capacitor	Starting Method	Across The Line
Poles	6	Rotation	Counterclockwise Lead End
Mounting	Round Belly Band	Motor Orientation	Vertical Shaft Up
Drive End Bearing	Ball	Opp Drive End Bearing	Ball
Frame Material	Rolled Steel	Shaft Type	Flat
Overall Length	11.49 in	Frame Length	5.88 in
Shaft Diameter	0.625 in	Shaft Extension	3.63 in
Outline Drawing	11702-024-S01	Connection Drawing	614131-036

This is an uncontrolled document once printed or downloaded and is subject to change without notice. Date Created:08/24/2023

4

3

2

1

GENERAL INFORMATION:

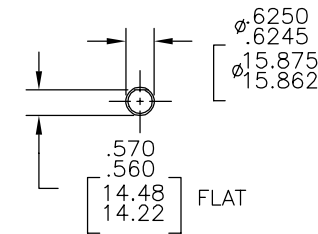
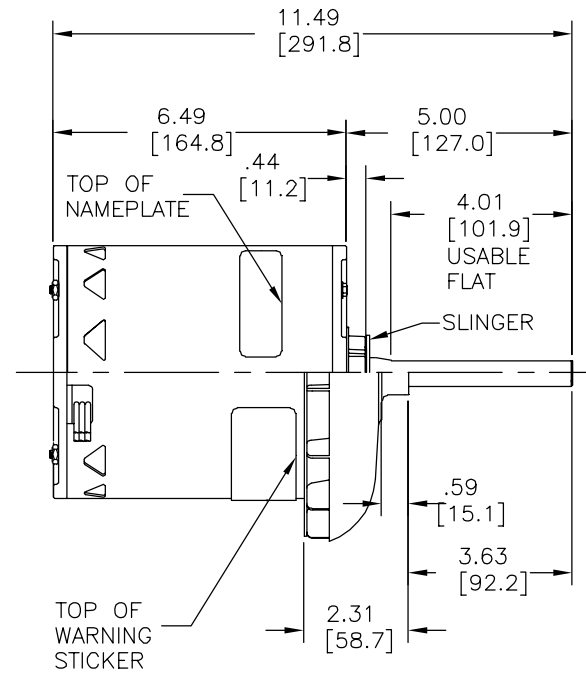
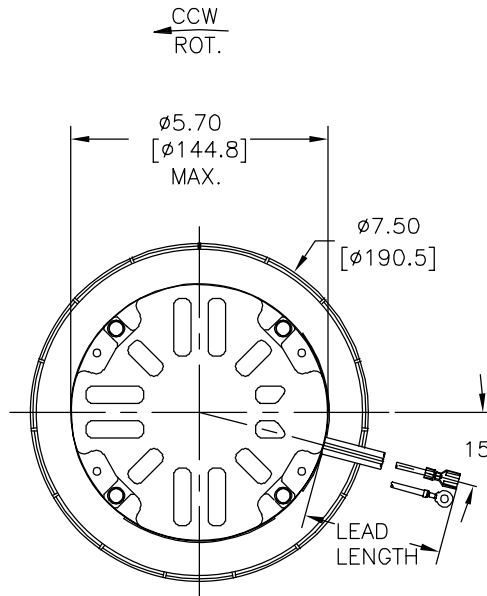
SHAFT RUNOUT: .001[.03] T.I.R. PER INCH LENGTH OF EXTENSION.
 BEARINGS: BALL
 MOUNTING POSITION: VERTICAL SHAFT-UP

ELECTRICAL DATA:

OVERLOAD PROTECTOR: AUTOMATIC RESET (T.I. 7AM 036)
 LEADS: NO. 16 GA., .06[1.5] THK., 105°C XLP INSUL.

NOTES:
 1. DISTRIBUTION: CUST. P/N: OLE1106H
 GRAINGER: CUST. P/N: 4UY52

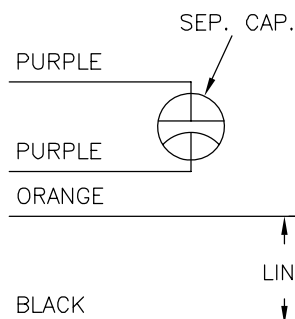
REV	ECO	REV BY	DATE	APPD	DATE
F	0025556	F. MORENO	05-02-2012	M. AVILA	05-02-2012



NAMEPLATE DATA:

MODEL NO.: F48V05A01
 CUST. P/N: []
 HP: 1.00
 ROT: CCWLE
 RPM: 1075
 TYPE: UF
 FRAME: 48Y
 VOLTS: 460
 PH: 1
 AMPS: 2.9
 HZ: 60
 INS: B
 AMB: 60°C
 DUTY: AIR OVER
 ENCL.: SEMI-ENCLOSED
 CAP.: 15 MFD/370 V
 UL & CSA LOGO
 THERMALLY PROTECTED

EXTERNAL CONNECTION DIAGRAM



614131-036

PURPLE	68.0/71.0 [1727/1803]	.25 FEMALE SPADE
PURPLE	68.0/71.0 [1727/1803]	.25 FEMALE SPADE
BLACK	77.0/80.0 [1956/2032]	#10 EYELET
ORANGE	77.0/80.0 [1956/2032]	#10 EYELET

COLOR	LENGTH	TERMINAL OR STRIP LENGTH
PURPLE	68.0/71.0 [1727/1803]	.25 FEMALE SPADE
PURPLE	68.0/71.0 [1727/1803]	.25 FEMALE SPADE
BLACK	77.0/80.0 [1956/2032]	#10 EYELET
ORANGE	77.0/80.0 [1956/2032]	#10 EYELET

FILE #	CCN #	FILE #	CLASS #
E46412	PRGY2	LR43341	4211-01

MAIN FRAME - OLE	ENCLOSED
END FRAME - OLE	OPEN
MAIN FRAME - LE	OPEN
END FRAME - LE	OPEN

CUST.	DISTRIBUTION SERVICE
-------	----------------------

PERFORMANCE CURVE NO.	TORQUE @1075 RPM (25°C)	APPROVED SAMPLE	UL COMPONENT	CSA
C32287	89.0 OZ. FT.	0442971B	E46412 PRGY2 LR43341	4211-01

GEOMETRIC CHARACTERISTICS & SYMBOLS
 □ FLATNESS
 - STRAIGHTNESS
 < ANGLARITY
 ⊥ PERPENDICULARITY (SQUARENESS)
 // PARALLELISM
 ○ ROUNDNESS (CIRCULARITY)
 ∅ CYLINDRICITY
 △ PROFILE OF ANY SURFACE
 ∩ PROFILE OF ANY LINE
 ↗ RUNOUT
 ⊕ TRUE POSITION
 ⊙ CONCENTRICITY
 = SYMMETRY
 ASME Y14.5M 1994

REGAL-BELOIT CORPORATION (RBC) PROVIDES TECHNICAL ASSISTANCE TO OUR CUSTOMERS IN SEVERAL AREAS. SINCE RBC DOES NOT RECEIVE ALL DATA CONCERNING THE USE AND APPLICATION OF THE MOTOR, THE SUITABILITY OF THE MOTOR FOR THE APPLICATION MUST BE DETERMINED BY THE CUSTOMER.

DIMENSIONS WITHOUT TOLERANCES ARE FOR REFERENCE ONLY.

DR BY: J. WILLIAMS 09-15-2004
 APPD: T. RILEY .09-17-2004
 THIRD ANGLE PROJECTION
 EDS DATE 11-11-2011
 FORMAT REV G
 CONFIDENTIAL: THIS DRAWING AND ITS INFORMATION ARE THE EXCLUSIVE AND CONFIDENTIAL PROPERTY OF REGAL-BELOIT CORPORATION AND ARE NOT TO BE DISCLOSED, DUPLICATED, DISTRIBUTED OR OTHERWISE USED WITHOUT THE WRITTEN CONSENT OF REGAL-BELOIT CORPORATION. -ALL RIGHTS RESERVED.



DESCRIPTION	
MODEL-RFHP-48FR OUTLINE	
SIZE C	DWG NO 11702-024
SCALE NONE	SHEET 1

4

3

2

1

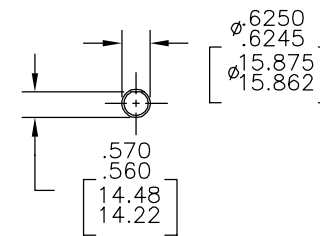
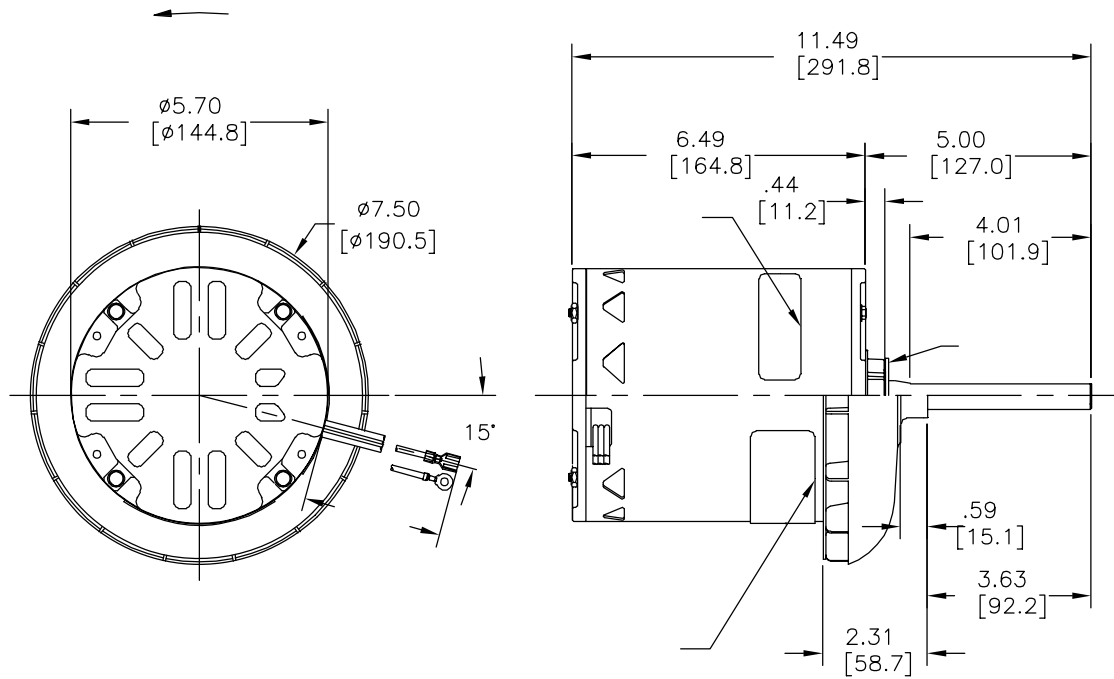
4

3

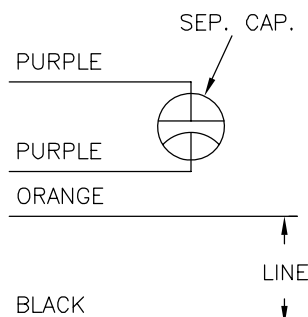
2

1

REVISION:	ECO	REVISADO POR:	FECHA:	APROBADO POR:	FECHA:
F	0025556	F. MORENO	05-02-2012	M. AVILA	05-02-2012



MODEL NO.: F48V05A01
 CUST. P/N: []
 HP: 1.00
 ROT: CCWLE
 RPM: 1075
 TYPE: UF
 FRAME: 48Y
 VOLTS: 460
 PH: 1
 AMPS: 2.9
 HZ: 60
 INS: B
 AMB: 60°C
 DUTY: AIR OVER
 ENCL.: SEMI-ENCLOSED
 CAP.: 15 MFD/370 V
 UL & CSA LOGO
 THERMALLY PROTECTED



614131-036

	68.0/71.0	.25
	[1727/1803]	[6.4]
	68.0/71.0	.25
	[1727/1803]	[6.4]
	77.0/80.0	
	[1956/2032]	
	77.0/80.0	
	[1956/2032]	

					CSA
C32287	89.0 OZ. FT.	0442971B	E46412	PRGY2	LR43341 4211-01

CARACTERISTICAS DE GEOMETRIA Y SIMBOLOS
 □ PLANICIDAD
 — RECTITUD
 < ANGULARIDAD
 ⊥ PERPENDICULARIDAD (A ESCUADRA)
 // PARALELISMO
 ○ REDONDEZ (CIRCULARIDAD)
 ∅ CILINDRICIDAD
 △ PERFIL DE CUALQUIER SUPERFICIE
 ∩ PERFIL DE CUALQUIER LINEA
 ↗ VARIACION
 ⊕ POSICION REAL
 ⊙ CONCENTRICIDAD
 = SIMETRIA
 ASME Y14.5M 1994

REGAL-BELOIT CORPORATION (RBC)
 PROVEE ASISTENCIA TECNICA A
 NUESTROS CLIENTES EN VARIAS AREAS.
 DESDE QUE RBC NO RECIBE TODOS
 LOS DATOS EN RELACION AL USO Y A
 LA APLICACION DEL MOTOR, LA
 APLICACION ADECUADA DEL MOTOR
 DEBE SER DETERMINADA POR EL
 CLIENTE.

DIMENSIONES SIN TOLERANCIA SON
 DE REFERENCIA SOLAMENTE

DIBUJADO POR:
 J. WILLIAMS

09-15-2004

APROBADO POR:
 T. RILEY

.09-17-2004

TERCER ANGULO
 DE PROYECCION



FECHA EDS: 11-11-2011
 REV. FORMATO: G

CONFIDENCIAL: ESTE DIBUJO Y SU INFORMACION
 SON PROPIEDAD DE USO EXCLUSIVO Y CONFIDENCIAL DE
 REGAL-BELOIT CORPORATION. Y NO DEBERAN SER REVELADOS,
 DUPLICADOS, DISTRIBUIDOS O USARSE DE OTRA MANERA
 SIN EL CONSENTIMIENTO ESCRITO DE REGAL-BELOIT
 CORPORATION. -TODOS LOS DERECHOS RESERVADOS.



DESCRIPCION:

MODEL-RFHP-48FR
 OUTLINE

TAMAÑO: C

NUMERO DE DIBUJO:
 11702-024

ESCALA: NONE

HOJA: 1

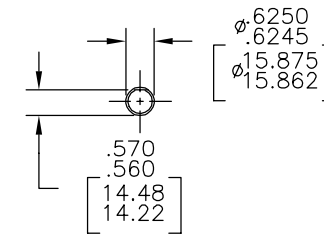
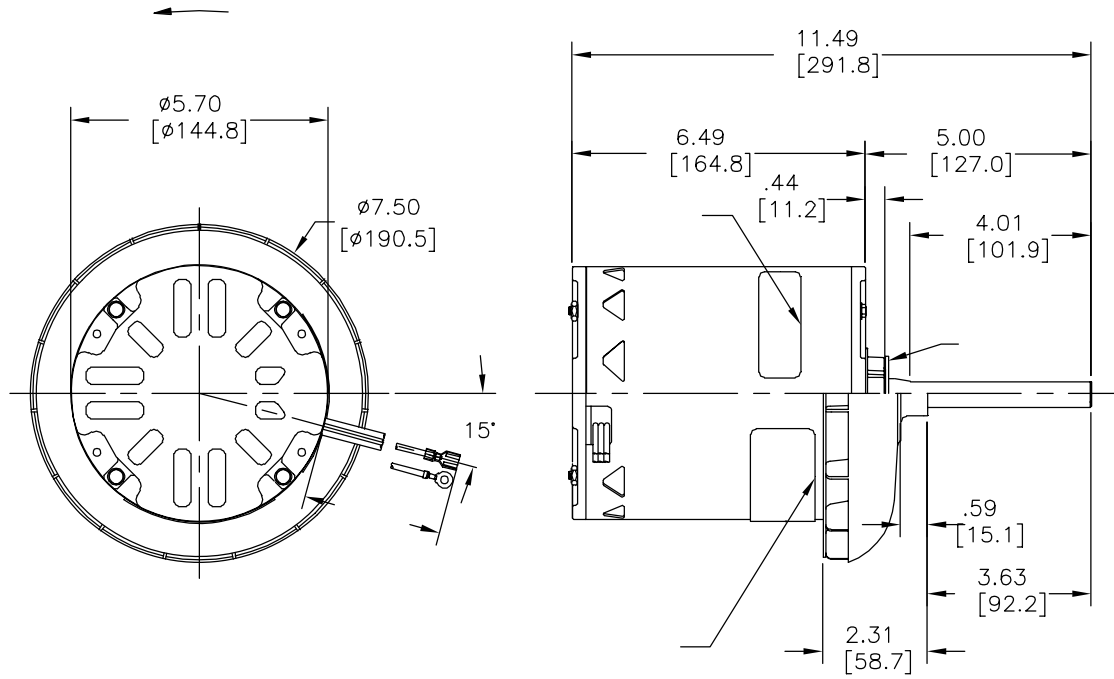
4

3

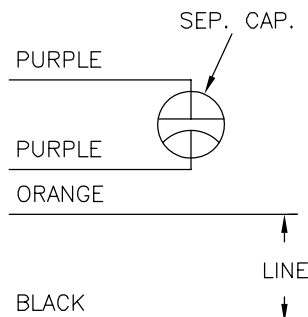
2

1

版本	ECO	编制	日期	批准	日期
F	0025556	F. MORENO	05-02-2012	M. AVILA	05-02-2012



MODEL NO.: F48V05A01
 CUST. P/N: []
 HP: 1.00
 ROT: CCWLE
 RPM: 1075
 TYPE: UF
 FRAME: 48Y
 VOLTS: 460
 PH: 1
 AMPS: 2.9
 HZ: 60
 INS: B
 AMB: 60°C
 DUTY: AIR OVER
 ENCL.: SEMI-ENCLOSED
 CAP.: 15 MFD/370 V
 UL & CSA LOGO
 THERMALLY PROTECTED



614131-036

	68.0/71.0 [1727/1803]	.25 [6.4]
	68.0/71.0 [1727/1803]	.25 [6.4]
	77.0/80.0 [1956/2032]	
	77.0/80.0 [1956/2032]	

					CSA
C32287	89.0 OZ. FT.	0442971B	E46412	PRGY2	LR43341 4211-01

- 形位公差
- 平面度
- 直线度
- ∠ 倾斜度
- ⊥ 垂直度
- // 平行度
- 圆度
- ⊘ 圆柱度
- △ 面轮廓度
- ∩ 线轮廓度
- ↗ 圆跳动
- ⊕ 位置度
- ⊙ 同轴度
- ≡ 对称度

ASME Y14.5M 1994

REGAL-BELOIT CORPORATION (RBC) 在个别领域为客户提供技术支持。鉴于RBC未收到任何涉及电机使用和应用环境的数据，电机的适用性由客户自己决定。

未注公差尺寸仅供参考。

绘图:	J. WILLIAMS	09-15-2004
批准:	T. RILEY	.09-17-2004
第三角投影		图纸格式发布日期 11-11-2011 图纸格式版本 G
机密: 本图纸及相关信息所有权归REGAL-BELOIT CORPORATION。未经REGAL-BELOIT CORPORATION书面授权, 不得泄露、复制、传播或作其他用途。一版权所有		



名称	MODEL-RFHP-48FR OUTLINE	
图幅	C	图号 11702-024
比例	NONE	页号 1