

PRODUCT INFORMATION PACKET



Model No: OMC6517

Catalog No: OMC6517

OEM Replacement Motor, 1/5 HP, 1 Ph, 60 Hz, 208-230 V, 1075 RPM, 1 Speed, 42 Frame, OPEN



Regal and Century are trademarks of Regal Rexnord Corporation or one of its affiliated companies.

©2022 Regal Rexnord Corporation, All Rights Reserved. MC017097E





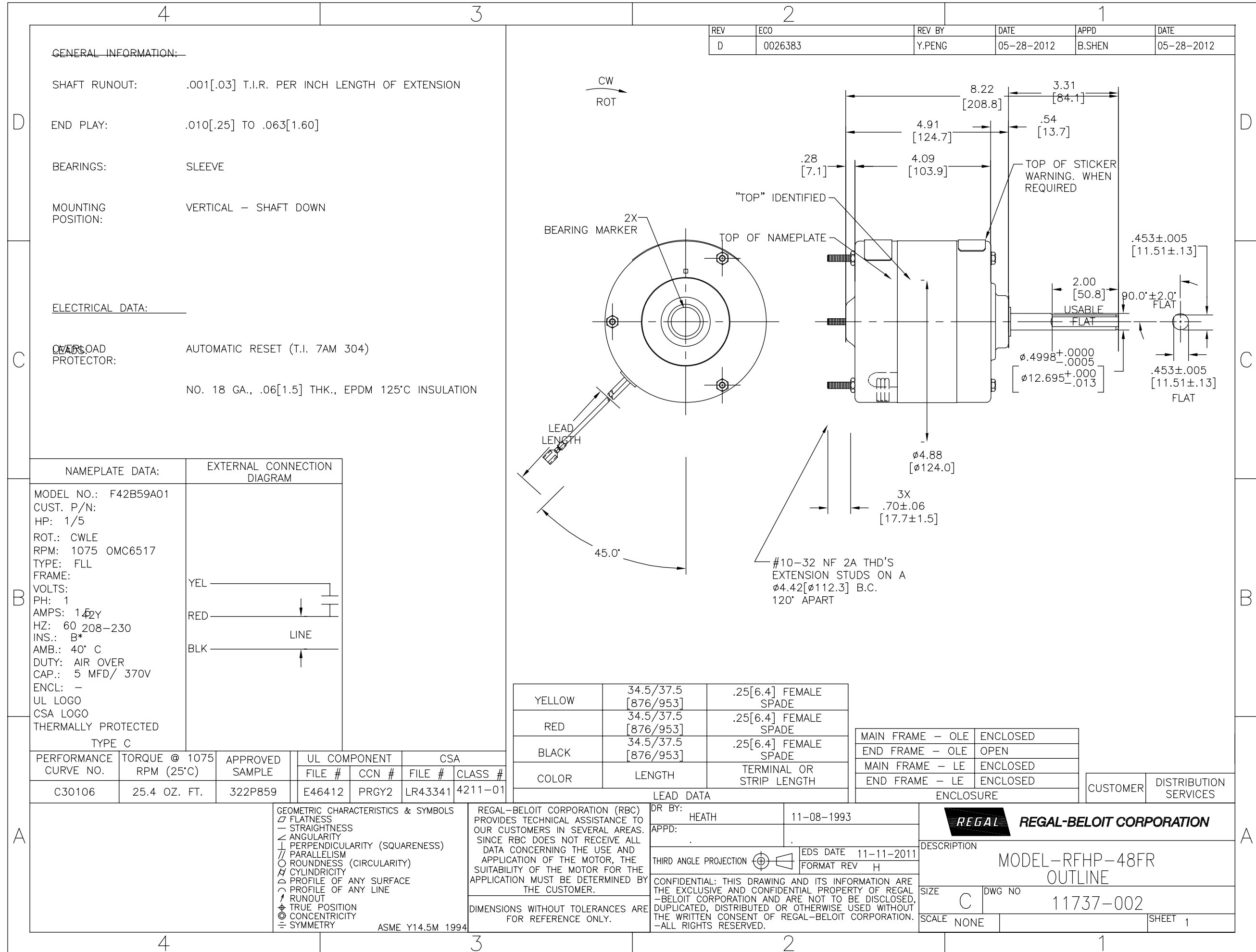
Nameplate Specifications

Output HP	1/5 Hp	Output KW	0.15 kW
Frequency	60 Hz	Voltage	208-230 V
Current	1.5 A	Speed	1075 rpm
Service Factor	1	Phase	1
Duty	Air Over	Insulation Class	B
Frame	42Y	Enclosure	Open Enclosed
Thermal Protection	Automatic	Ambient Temperature	40 °C
UL	Recognized	CSA	Y
CE	N	Number of Speeds	1

Technical Specifications

Electrical Type	Permanent Split Capacitor	Starting Method	Across The Line
Poles	6	Rotation	Clockwise Lead End
Mounting	Extended Studs	Motor Orientation	Vertical Shaft Down
Drive End Bearing	Sleeve	Opp Drive End Bearing	Sleeve
Frame Material	Na	Shaft Type	Flat
Overall Length	11.53 in	Shaft Diameter	0.500 in
Shaft Extension	3.9 in		
Outline Drawing	11737-002	Connection Drawing	7573A96F01

This is an uncontrolled document once printed or downloaded and is subject to change without notice. Date Created:11/28/2022



GENERAL INFORMATION:

SHAFT RUNOUT: .001[.03] T.I.R. PER INCH LENGTH OF EXTENSION

END PLAY: .010[.25] TO .063[1.60]

BEARINGS: SLEEVE

MOUNTING POSITION: VERTICAL - SHAFT DOWN

ELECTRICAL DATA:

OVERLOAD PROTECTOR: AUTOMATIC RESET (T.I. 7AM 304)

NO. 18 GA., .06[1.5] THK., EPDM 125°C INSULATION

REV	ECO	REV BY	DATE	APPD	DATE
D	0026383	Y.PENG	05-28-2012	B.SHEN	05-28-2012

NAMEPLATE DATA:	EXTERNAL CONNECTION DIAGRAM
MODEL NO.: F42B59A01 CUST. P/N: HP: 1/5 ROT.: CWLE RPM: 1075 OMC6517 TYPE: FLL FRAME: VOLTS: PH: 1 AMPS: 1.42Y HZ: 60 208-230 INS.: B* AMB.: 40° C DUTY: AIR OVER CAP.: 5 MFD/ 370V ENCL: - UL LOGO CSA LOGO THERMALLY PROTECTED TYPE C	

YELLOW	34.5/37.5 [876/953]	.25[6.4] FEMALE SPADE
RED	34.5/37.5 [876/953]	.25[6.4] FEMALE SPADE
BLACK	34.5/37.5 [876/953]	.25[6.4] FEMALE SPADE
COLOR	LENGTH	TERMINAL OR STRIP LENGTH

MAIN FRAME - OLE	ENCLOSED
END FRAME - OLE	OPEN
MAIN FRAME - LE	ENCLOSED
END FRAME - LE	ENCLOSED

CUSTOMER	DISTRIBUTION SERVICES
----------	-----------------------

PERFORMANCE CURVE NO.	TORQUE @ 1075 RPM (25°C)	APPROVED SAMPLE	UL COMPONENT FILE #	CCN #	CSA FILE #	CLASS #
C30106	25.4 OZ. FT.	322P859	E46412	PRGY2	LR43341	4211-01

GEOMETRIC CHARACTERISTICS & SYMBOLS

- FLATNESS
- STRAIGHTNESS
- ANGULARITY
- PERPENDICULARITY (SQUARENESS)
- PARALLELISM
- ROUNDNESS (CIRCULARITY)
- CYLINDRICITY
- PROFILE OF ANY SURFACE
- PROFILE OF ANY LINE
- RUNOUT
- TRUE POSITION
- CONCENTRICITY
- SYMMETRY

ASME Y14.5M 1994

REGAL-BELOIT CORPORATION (RBC) PROVIDES TECHNICAL ASSISTANCE TO OUR CUSTOMERS IN SEVERAL AREAS. SINCE RBC DOES NOT RECEIVE ALL DATA CONCERNING THE USE AND APPLICATION OF THE MOTOR, THE SUITABILITY OF THE MOTOR FOR THE APPLICATION MUST BE DETERMINED BY THE CUSTOMER.

DIMENSIONS WITHOUT TOLERANCES ARE FOR REFERENCE ONLY.

DR BY: HEATH 11-08-1993

APPD:

THIRD ANGLE PROJECTION

EDS DATE 11-11-2011
FORMAT REV H

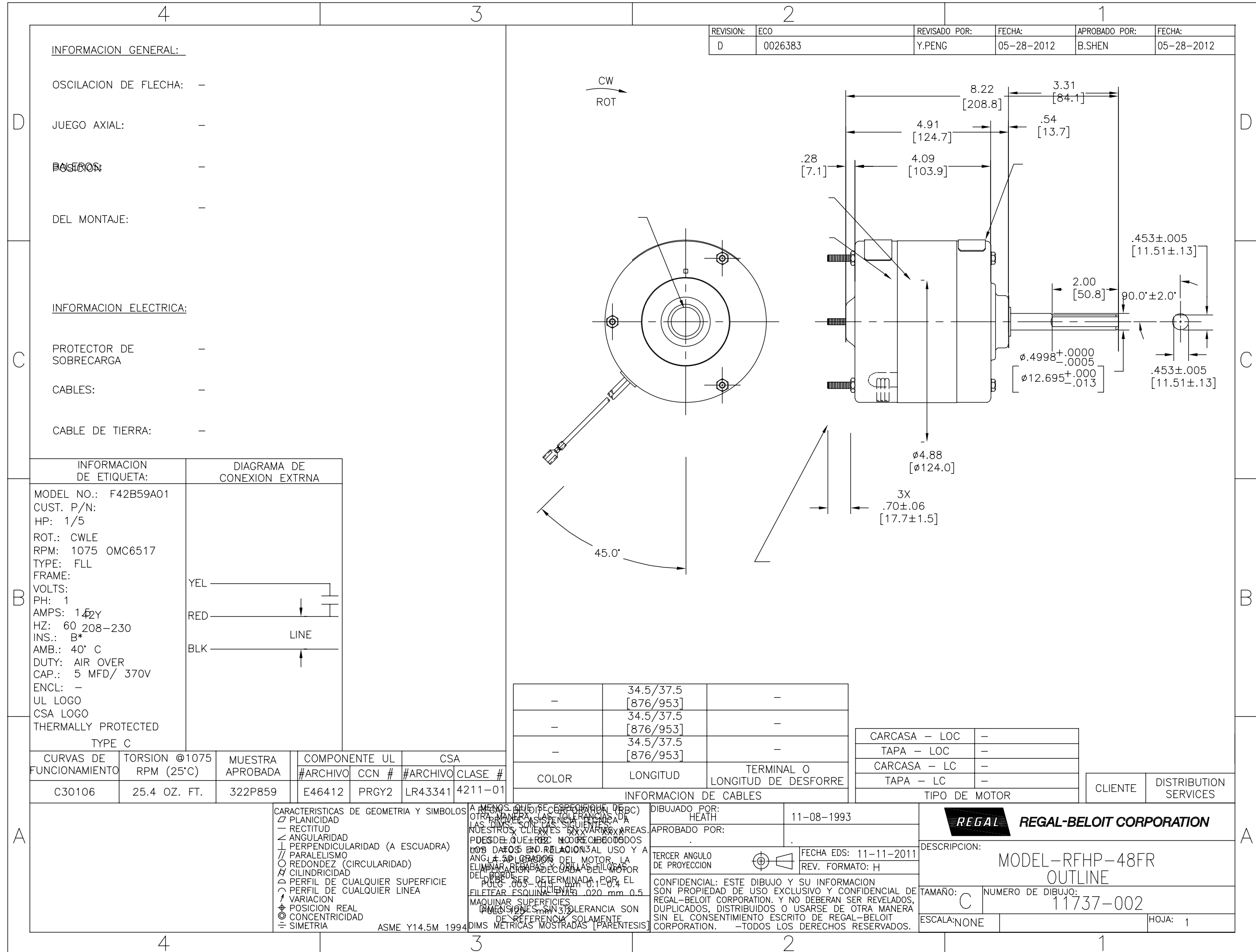
CONFIDENTIAL: THIS DRAWING AND ITS INFORMATION ARE THE EXCLUSIVE AND CONFIDENTIAL PROPERTY OF REGAL-BELOIT CORPORATION AND ARE NOT TO BE DISCLOSED, DUPLICATED, DISTRIBUTED OR OTHERWISE USED WITHOUT THE WRITTEN CONSENT OF REGAL-BELOIT CORPORATION. -ALL RIGHTS RESERVED.

REGAL REGAL-BELOIT CORPORATION

DESCRIPTION: MODEL-RFHP-48FR OUTLINE

SIZE C DWG NO 11737-002

SCALE NONE SHEET 1



REVISION:	ECO	REVISADO POR:	FECHA:	APROBADO POR:	FECHA:
D	0026383	Y.PENG	05-28-2012	B.SHEN	05-28-2012

INFORMACION GENERAL:

OSCILACION DE FLECHA: -

JUEGO AXIAL: -

BASES: -

DEL MONTAJE: -

INFORMACION ELECTRICA:

PROTECTOR DE SOBRECARGA: -

CABLES: -

CABLE DE TIERRA: -

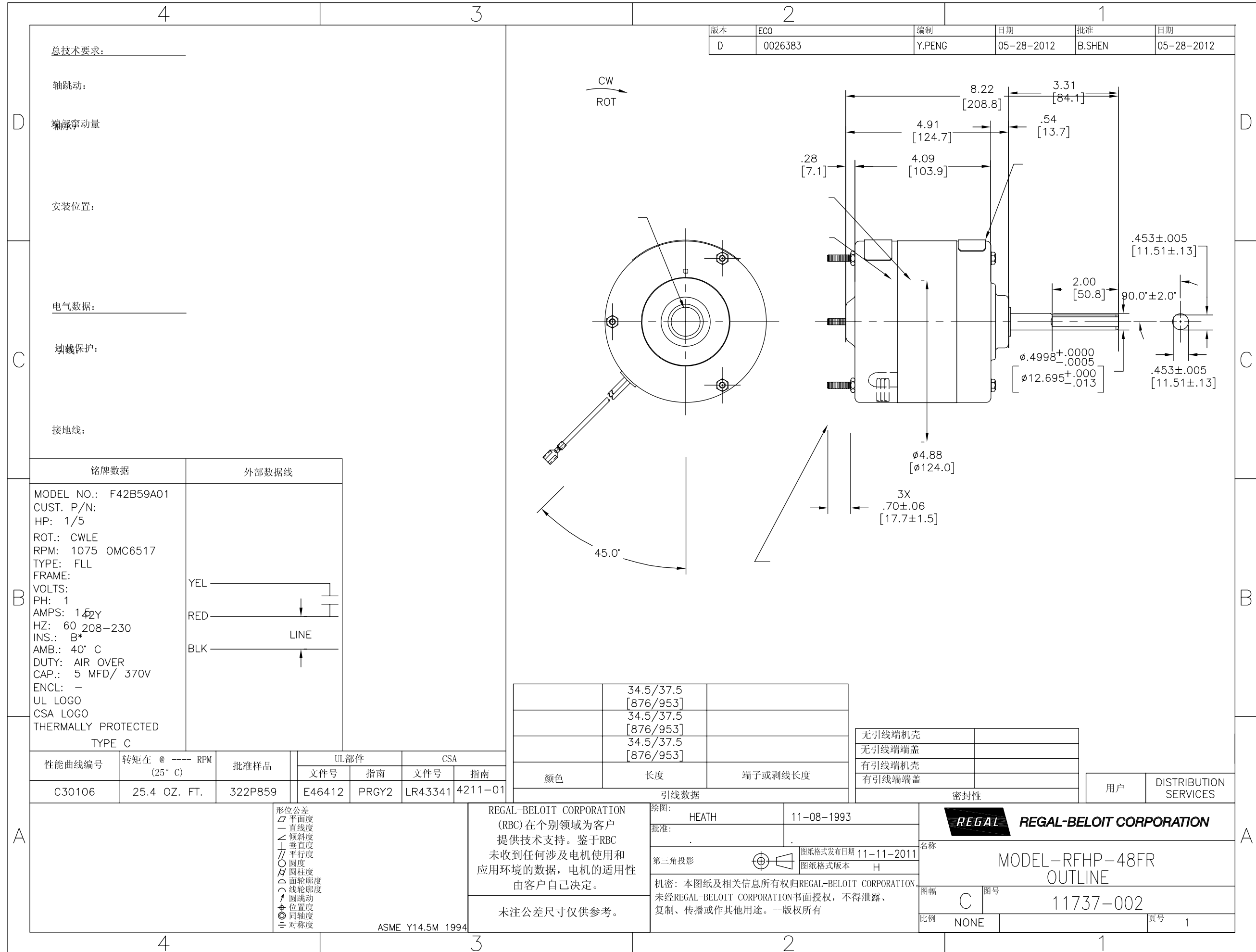
INFORMACION DE ETIQUETA:	DIAGRAMA DE CONEXION EXTRNA
MODEL NO.: F42B59A01 CUST. P/N: HP: 1/5 ROT.: CWLE RPM: 1075 OMC6517 TYPE: FLL FRAME: VOLTS: PH: 1 AMPS: 1.42Y HZ: 60 208-230 INS.: B* AMB.: 40° C DUTY: AIR OVER CAP.: 5 MFD/ 370V ENCL: - UL LOGO CSA LOGO THERMALLY PROTECTED TYPE C	

-	34.5/37.5 [876/953]	-
-	34.5/37.5 [876/953]	-
-	34.5/37.5 [876/953]	-
COLOR	LONGITUD	TERMINAL O LONGITUD DE DESFORRE

CARCASA - LOC	-
TAPA - LOC	-
CARCASA - LC	-
TAPA - LC	-

CLIENTE	DISTRIBUTION SERVICES
---------	-----------------------

CARACTERISTICAS DE GEOMETRIA Y SIMBOLOS ▽ PLANICIDAD - RECTITUD ∠ ANGULARIDAD ⊥ PERPENDICULARIDAD (A ESCUADRA) // PARALELISMO ○ REDONDEZ (CIRCULARIDAD) ∅ CILINDRICIDAD △ PERFIL DE CUALQUIER SUPERFICIE ~ PERFIL DE CUALQUIER LINEA ↑ VARIACION ⊕ POSICION REAL ⊙ CONCENTRICIDAD = SIMETRIA ASME Y14.5M 1994	A MENOS QUE SE ESPECIFIQUE DEBC) OTRA MANERA LAS TOLERANCIAS A LAS DIMENSIONES SON LAS SIGUIENTES: NUESTROS CLIENTES EN VARIAS AREAS PUEDE QUE REQUIERAN COTACIONES DE DATOS EN RELACIONAL USO Y A ANG. ± 90 GRADOS DEL MOTOR LA ELIMINAR REDONDEZ DE CORDA DEL MOTOR DEL MOTOR SER DETERMINADA POR EL PULO .003 - .010 mm 0.1 - 0.4 FILETEAR ESQUINA EN MG .020 mm 0.5 MAQUINAR SUPERFICIES DIMENSIONES SIN TOLERANCIA SON DE REFERENCIA SOLAMENTE DIMS METRICAS MOSTRADAS [PARENTESIS]	DIBUJADO POR: HEATH 11-08-1993	REGAL-BELOIT CORPORATION DESCRIPCION: MODEL-RFHP-48FR OUTLINE TAMAÑO: C NUMERO DE DIBUJO: 11737-002 ESCALA: NONE HOJA: 1
		APROBADO POR: TERCER ANGULO DE PROYECCION CONFIDENCIAL: ESTE DIBUJO Y SU INFORMACION SON PROPIEDAD DE USO EXCLUSIVO Y CONFIDENCIAL DE REGAL-BELOIT CORPORATION. Y NO DEBERAN SER REVELADOS, DUPLICADOS, DISTRIBUIDOS O USARSE DE OTRA MANERA SIN EL CONSENTIMIENTO ESCRITO DE REGAL-BELOIT CORPORATION. -TODOS LOS DERECHOS RESERVADOS.	



版本	ECO	编制	日期	批准	日期
D	0026383	Y.PENG	05-28-2012	B.SHEN	05-28-2012

总技术要求: _____
 轴跳动:
 轴窜动量
 安装位置:
 电气数据: _____
 绝缘保护:
 接地线:

铭牌数据	外部数据线
MODEL NO.: F42B59A01 CUST. P/N: HP: 1/5 ROT.: CWLE RPM: 1075 OMC6517 TYPE: FLL FRAME: VOLTS: PH: 1 AMPS: 1.42Y HZ: 60 208-230 INS.: B* AMB.: 40° C DUTY: AIR OVER CAP.: 5 MFD/ 370V ENCL: - UL LOGO CSA LOGO THERMALLY PROTECTED TYPE C	YEL _____ RED _____ BLK _____ LINE

	34.5/37.5	
	[876/953]	
	34.5/37.5	
	[876/953]	
	34.5/37.5	
	[876/953]	

无引线端机壳	
无引线端端盖	
有引线端机壳	
有引线端端盖	

性能曲线编号	转矩在 @ --- RPM (25° C)	批准样品	UL部件		CSA	
			文件号	指南	文件号	指南
C30106	25.4 OZ. FT.	322P859	E46412	PRGY2	LR43341	4211-01

- 形位公差
- 平面度
- 直线度
- ∠ 倾斜度
- ⊥ 垂直度
- ∥ 平行度
- 圆度
- ⊘ 圆柱度
- 面轮廓度
- 线轮廓度
- ⊙ 圆跳动
- ⊕ 位置度
- ⊖ 同轴度
- ≡ 对称度

REGAL-BELOIT CORPORATION (RBC) 在个别领域为客户提供技术支持。鉴于RBC未收到任何涉及电机使用和应用环境的数据，电机的适用性由客户自己决定。

未注公差尺寸仅供参考。

绘图: HEATH 11-08-1993
 批准:
 第三角投影
 图密: 本图纸及相关信息所有权归REGAL-BELOIT CORPORATION 未经REGAL-BELOIT CORPORATION书面授权, 不得泄露、复制、传播或作其他用途。—版权所有

REGAL REGAL-BELOIT CORPORATION

名称: MODEL-RFHP-48FR OUTLINE
 图幅: C 图号: 11737-002
 比例: NONE 页号: 1

ASME Y14.5M 1994