

PRODUCT INFORMATION PACKET



Model No: OMM1036
Catalog No: OMM1036

OEM Replacement Motor, 1/3 HP, 1 Ph, 60 Hz, 230 V, 1075 RPM, 2 Speed, 48 Frame, SEMI ENCLOSED



Regal and Century are trademarks of Regal Rexnord Corporation or one of its affiliated companies.
©2022 Regal Rexnord Corporation, All Rights Reserved. MC017097E





Nameplate Specifications

Output HP	1/3 Hp	Output KW	0.25 kW
Frequency	60 Hz	Voltage	230 V
Current	1.8 A	Speed	1075 rpm
Service Factor	1	Phase	1
Duty	Air Over	Insulation Class	B
Frame	48Y	Enclosure	Semi Enclosed
Thermal Protection	Automatic	Ambient Temperature	40 °C
UL	Recognized	CSA	Y
CE	N	Number of Speeds	2

Technical Specifications

Electrical Type	Permanent Split Capacitor	Starting Method	Across The Line
Poles	6	Rotation	Reversible
Mounting	Extended Studs	Motor Orientation	Vertical Shaft Down
Drive End Bearing	Sleeve	Opp Drive End Bearing	Sleeve
Frame Material	Rolled Steel	Shaft Type	Double Flat
Overall Length	10.51 in	Frame Length	3.88 in
Shaft Diameter	0.500 in	Shaft Extension	5.5 in
Connection Drawing	614131-314	Outline Drawing	OMM1036-S01

This is an uncontrolled document once printed or downloaded and is subject to change without notice. Date Created:11/28/2022

4

3

2

1

GENERAL INFORMATION:

SHAFT RUNOUT: .001[.03] T.I.R. PER INCH LENGTH OF EXTENSION

END PLAY: .010[.25] TO .063[1.60]

BEARINGS: SLEEVE

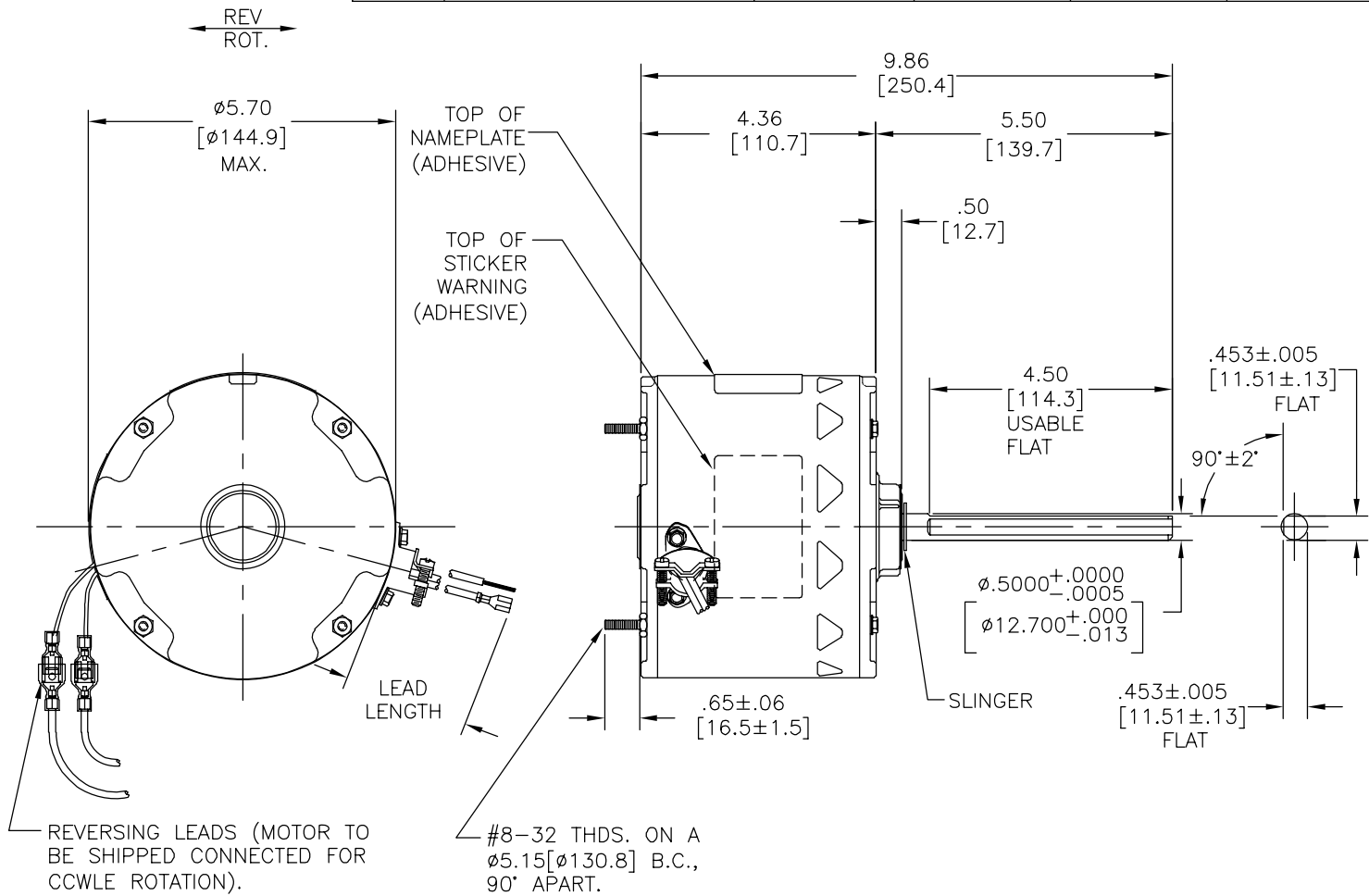
MOUNTING POSITION: VERTICAL SHAFT DOWN

ELECTRICAL DATA:

OVERLOAD PROTECTOR: AUTOMATIC RESET (SENSATA 7AM036)

LEADS: NO.18 AWG, .03[.8] THK.,125' INSUL

REV	ECO	REV BY	DATE	APPD	DATE
B	0024317	L.LI	04-10-2012	B.SHEN	04-10-2012



NAMEPLATE DATA:	EXTERNAL CONNECTION DIAGRAM
MODEL NO.: F48V14A01 CUST. P/N: OMM1036 HP: 1/3 ROT.: REVERSIBLE RPM: 1075/2 SPD TYPE: UF FRAME: 48Y VOLTS: 230 PH: 1 AMPS: 1.8 HZ: 60 INS.: B AMB.: 40° C DUTY: AIR OVER CAP.: 5.0 MFD/370V ENCL: SEMI-ENCL UL LOGO CSA LOGO THERMALLY PROTECTED	CONNECTION DIAGRAM SEP. CAP. BROWN BROWN/W WHITE BLACK HI RED LO ROTATION AT LEAD END CCW ORN(1) YEL(1) ORN(2) YEL(2) CW ORN(1) YEL(1) YEL(2) ORN(2)

BROWN	36.0/38.0 [914/965]	.25[6.4] FEMALE SPADE
BROWN/WHITE	36.0/38.0 [914/965]	.25[6.4] FEMALE SPADE
WHITE	36.0/38.0 [914/965]	.75[19.1] SKIN
BLACK	36.0/38.0 [914/965]	.75[19.1] SKIN
RED	36.0/38.0 [914/965]	.75[19.1] SKIN
ORANGE(REV)	4.0/5.0 [102/127]	.25[6.4] MALE INSUL. TAB
ORANGE(REV)	4.0/5.0 [102/127]	.25[6.4] FEMALE INSUL. SPADE
YELLOW(REV)	4.0/5.0 [102/127]	.25[6.4] MALE INSUL. TAB
YELLOW(REV)	4.0/5.0 [102/127]	.25[6.4] FEMALE INSUL. SPADE
COLOR	LENGTH	TERMINAL OR STRIP LENGTH

MAIN FRAME - OLE	OPEN
END FRAME - OLE	OPEN
MAIN FRAME - LE	ENCLOSED
END FRAME - LE	ENCLOSED

CUSTOMER	DISTRIBUTION SERVICE
----------	----------------------

PERFORMANCE CURVE NO.	TORQUE @ 1075 RPM (25°C)	APPROVED SAMPLE	UL COMPONENT FILE #	CCN #	CSA FILE #	CLASS #
C32316	26 OZ. FT.	0442972B	E46412	PRGY2	LR43341	4211-01

GEOMETRIC CHARACTERISTICS & SYMBOLS ▮ FLATNESS - STRAIGHTNESS < ANGLARITY ⊥ PERPENDICULARITY (SQUARENESS) // PARALLELISM ○ ROUNDNESS (CIRCULARITY) ∅ CYLINDRICITY △ PROFILE OF ANY SURFACE ∩ PROFILE OF ANY LINE ↗ RUNOUT ⊕ TRUE POSITION ⊙ CONCENTRICITY = SYMMETRY	REGAL-BELOIT CORPORATION (RBC) PROVIDES TECHNICAL ASSISTANCE TO OUR CUSTOMERS IN SEVERAL AREAS. SINCE RBC DOES NOT RECEIVE ALL DATA CONCERNING THE USE AND APPLICATION OF THE MOTOR, THE SUITABILITY OF THE MOTOR FOR THE APPLICATION MUST BE DETERMINED BY THE CUSTOMER. DIMENSIONS WITHOUT TOLERANCES ARE FOR REFERENCE ONLY.
---	--

DR BY: L.LI APPD: B.SHNE THIRD ANGLE PROJECTION CONFIDENTIAL: THIS DRAWING AND ITS INFORMATION ARE THE EXCLUSIVE AND CONFIDENTIAL PROPERTY OF REGAL-BELOIT CORPORATION AND ARE NOT TO BE DISCLOSED, DUPLICATED, DISTRIBUTED OR OTHERWISE USED WITHOUT THE WRITTEN CONSENT OF REGAL-BELOIT CORPORATION. -ALL RIGHTS RESERVED.	04-10-2012 04-10-2012 EDS DATE 11-11-2011 FORMAT REV G
---	---

REGAL-BELOIT CORPORATION DESCRIPTION: MODEL-RFHP-48FR OUTLINE SIZE: C DWG NO: OMM1036 SCALE: NONE SHEET: 1

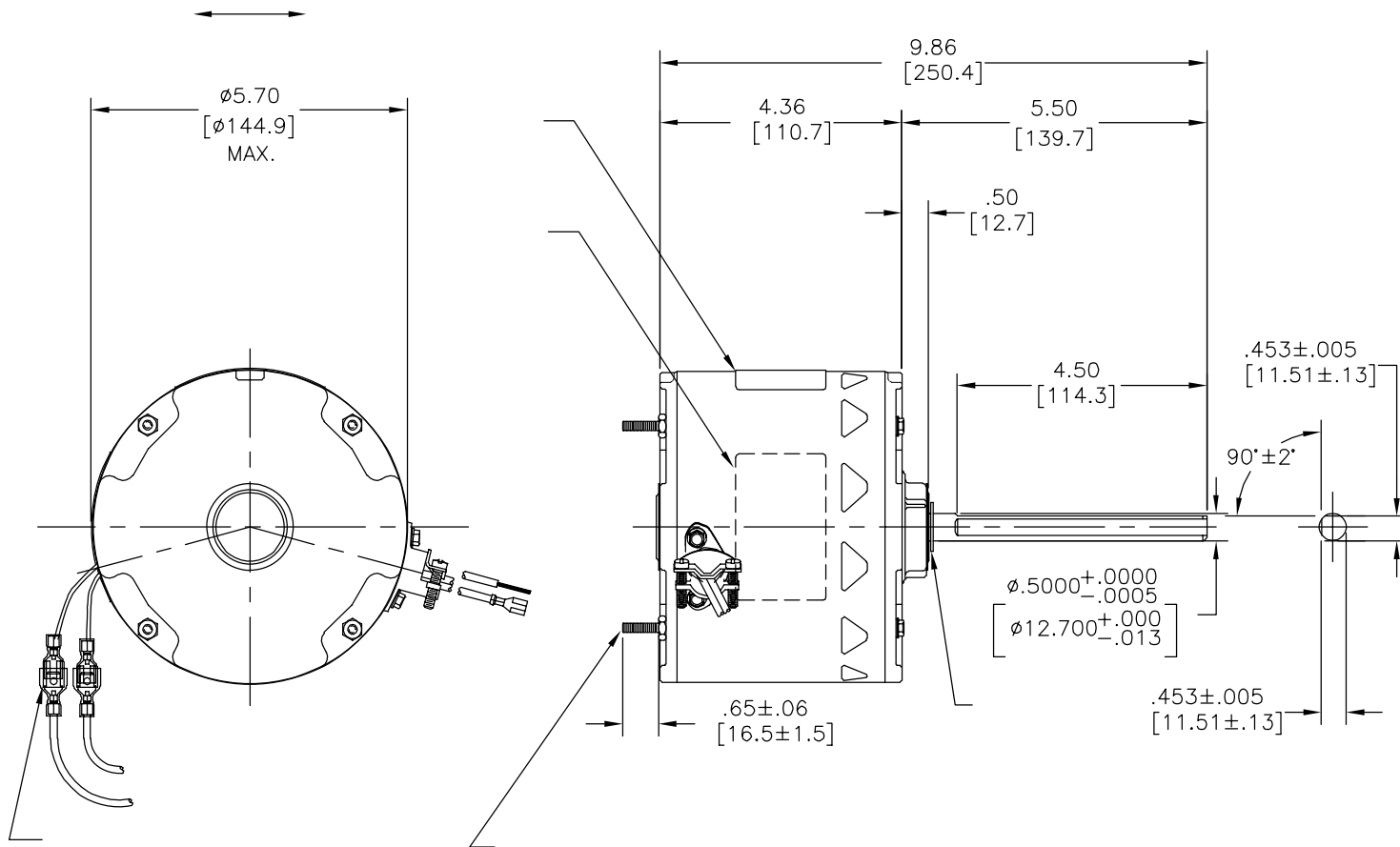
4

3

2

1

REVISION:	ECO	REVISADO POR:	FECHA:	APROBADO POR:	FECHA:
B	0024317	L.LI	04-10-2012	B.SHEN	04-10-2012



NAMEPLATE DATA:		EXTERNAL CONNECTION DIAGRAM	
MODEL NO.: F48V14A01 CUST. P/N: OMM1036 HP: 1/3 ROT.: REVERSIBLE RPM: 1075/2 SPD TYPE: UF FRAME: 48Y VOLTS: 230 PH: 1 AMPS: 1.8 HZ: 60 INS.: B AMB.: 40° C DUTY: AIR OVER CAP.: 5.0 MFD/370V ENCL: SEMI-ENCL UL LOGO CSA LOGO THERMALLY PROTECTED		CONNECTION DIAGRAM SEP. CAP. BROWN BROWN/W WHITE BLACK HI LINE RED LO ROTATION AT LEAD END CCW ORN(1) YEL(1) ORN(2) YEL(2) CW ORN(1) YEL(1) YEL(2) ORN(2)	
614131-314			

PERFORMANCE CURVE NO.	TORQUE @ 1075 RPM (25°C)	APPROVED SAMPLE	UL COMPONENT FILE #	CCN #	CSA FILE #	CLASS #
C32316	26 OZ. FT.	0442972B	E46412	PRGY2	LR43341	4211-01

	36.0/38.0	
	[914/965]	
	36.0/38.0	
	[914/965]	
	36.0/38.0	
	[914/965]	
	36.0/38.0	
	[914/965]	
	4.0/5.0	
	[102/127]	
	4.0/5.0	
	[102/127]	
	4.0/5.0	
	[102/127]	
	4.0/5.0	
	[102/127]	

CARACTERISTICAS DE GEOMETRIA Y SIMBOLOS

- ∠ PLANICIDAD
- RECTITUD
- ∠ ANGULARIDAD
- ⊥ PERPENDICULARIDAD (A ESCUADRA)
- // PARALELISMO
- REDONDEZ (CIRCULARIDAD)
- ∅ CILINDRICIDAD
- △ PERFIL DE CUALQUIER SUPERFICIE
- ∧ PERFIL DE CUALQUIER LINEA
- ∧ VARIACION
- ⊕ POSICION REAL
- ◎ CONCENTRICIDAD
- = SIMETRIA

ASME Y14.5M 1994

REGAL-BELOIT CORPORATION (RBC) PROVEE ASISTENCIA TECNICA A NUESTROS CLIENTES EN VARIAS AREAS. DESDE QUE RBC NO RECIBE TODOS LOS DATOS EN RELACION AL USO Y A LA APLICACION DEL MOTOR, LA APLICACION ADECUADA DEL MOTOR DEBE SER DETERMINADA POR EL CLIENTE.

DIMENSIONES SIN TOLERANCIA SON DE REFERENCIA SOLAMENTE

DIBUJADO POR: L.LI 04-10-2012

APROBADO POR: B.SHNE 04-10-2012

TERCER ANGULO DE PROYECCION

FECHA EDS: 11-11-2011

REV. FORMATO: G

CONFIDENCIAL: ESTE DIBUJO Y SU INFORMACION SON PROPIEDAD DE USO EXCLUSIVO Y CONFIDENCIAL DE REGAL-BELOIT CORPORATION. Y NO DEBERAN SER REVELADOS, DUPLICADOS, DISTRIBUIDOS O USARSE DE OTRA MANERA SIN EL CONSENTIMIENTO ESCRITO DE REGAL-BELOIT CORPORATION. -TODOS LOS DERECHOS RESERVADOS.

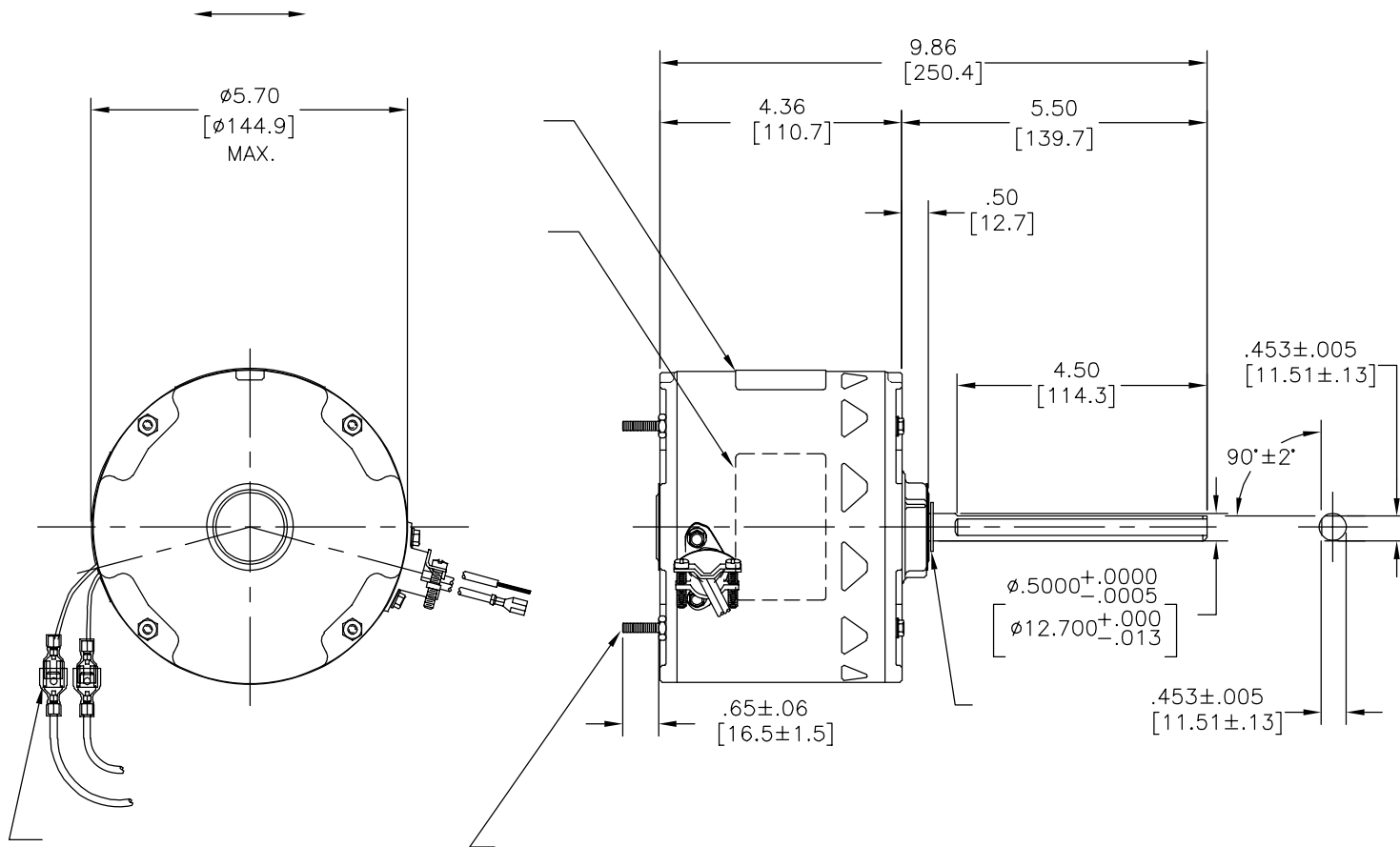
REGAL-BELOIT CORPORATION

DESCRIPCION: MODEL-RFHP-48FR OUTLINE

TAMAÑO: C NUMERO DE DIBUJO: OMM1036

ESCALA: NONE HOJA: 1

版本	ECO	编制	日期	批准	日期
B	0024317	L.LI	04-10-2012	B.SHEN	04-10-2012



NAMEPLATE DATA:		EXTERNAL CONNECTION DIAGRAM	
MODEL NO.: F48V14A01 CUST. P/N: OMM1036 HP: 1/3 ROT.: REVERSIBLE RPM: 1075/2 SPD TYPE: UF FRAME: 48Y VOLTS: 230 PH: 1 AMPS: 1.8 HZ: 60 INS.: B AMB.: 40° C DUTY: AIR OVER CAP.: 5.0 MFD/370V ENCL: SEMI-ENCL UL LOGO CSA LOGO THERMALLY PROTECTED		CONNECTION DIAGRAM SEP. CAP. BROWN BROWN/W WHITE BLACK HI LINE RED LO ROTATION AT LEAD END CCW ORN(1) YEL(1) ORN(2) YEL(2) CW ORN(1) YEL(1) YEL(2) ORN(2)	
614131-314			

PERFORMANCE CURVE NO.	TORQUE @ 1075 RPM (25°C)	APPROVED SAMPLE	UL COMPONENT FILE #	CCN #	CSA FILE #	CLASS #
C32316	26 OZ. FT.	0442972B	E46412	PRGY2	LR43341	4211-01

	36.0/38.0	
	[914/965]	
	36.0/38.0	
	[914/965]	
	36.0/38.0	
	[914/965]	
	36.0/38.0	
	[914/965]	
	4.0/5.0	
	[102/127]	
	4.0/5.0	
	[102/127]	
	4.0/5.0	
	[102/127]	
	4.0/5.0	
	[102/127]	

形位公差
 □ 平面度
 - 直线度
 < 倾斜度
 ⊥ 垂直度
 // 平行度
 ○ 圆度
 ⊘ 圆柱度
 △ 面轮廓度
 ∩ 线轮廓度
 ↗ 圆跳动
 ⊕ 位置度
 ⊙ 同轴度
 ≡ 对称度

ASME Y14.5M 1994

REGAL-BELOIT CORPORATION (RBC) 在个别领域为客户提供技术支持。鉴于RBC未收到任何涉及电机使用和应用环境的数据，电机的适用性由客户自己决定。

未注公差尺寸仅供参考。

绘图: L.LI 04-10-2012
 批准: B.SHNE 04-10-2012
 第三角投影
 图纸格式发布日期 11-11-2011
 图纸格式版本 G
 机密: 本图纸及相关信息所有权归REGAL-BELOIT CORPORATION。未经REGAL-BELOIT CORPORATION书面授权, 不得泄露、复制、传播或作其他用途。一版权所有

名称: MODEL-RFHP-48FR OUTLINE
 图幅: C 图号: OMM1036
 比例: NONE 页号: 1