

PRODUCT INFORMATION PACKET



Model No: ONR6026

Catalog No: ONR6026

OEM Replacement Motor, 1/5 HP, 1 Ph, 60 Hz, 115 V, 1050 RPM, 1 Speed, 42 Frame, OAO



Regal and Century are trademarks of Regal Rexnord Corporation or one of its affiliated companies.

©2025 Regal Rexnord Corporation, All Rights Reserved. MC017097E





Nameplate Specifications

| | | | |
|--------------------|------------|---------------------|---------------|
| Phase | 1 | Output HP | 1/5 Hp |
| Output KW | 0.15 kW | Voltage | 115 V |
| Speed | 1050 rpm | Service Factor | 1 |
| Frame | 42Y | Enclosure | Open Air Over |
| Thermal Protection | Automatic | Ambient Temperature | 40 °C |
| Frequency | 60 Hz | Current | 6.5 A |
| Duty | Air Over | Insulation Class | B |
| UL | Recognized | CSA | Y |
| CE | N | Number of Speeds | 1 |

Technical Specifications

| | | | |
|--------------------|---------------|-----------------------|---------------------------|
| Electrical Type | Shaded Pole | Starting Method | Across The Line |
| Poles | 6 | Rotation | Counterclockwise Lead End |
| Mounting | Flexible Arms | Motor Orientation | Horizontal |
| Drive End Bearing | Sleeve | Opp Drive End Bearing | Sleeve |
| Frame Material | Na | Shaft Type | Flat |
| Overall Length | 8.15 in | Shaft Diameter | 0.500 in |
| Shaft Extension | 3.8 in | | |
| Connection Drawing | 261B865F01 | Outline Drawing | 11692-033-S01 |

This is an uncontrolled document once printed or downloaded and is subject to change without notice. Date Created:07/04/2025

| REV | ECO | REV BY | DATE | APPD | DATE |
|-----|-------------|--------|------------|----------------|------------|
| FB | ECR-0244038 | ANJANI | 07/02/2025 | DARREL CLAYTON | 07/02/2025 |

GENERAL INFORMATION:

SHAFT RUNOUT: .001[.03] T.I.R. PER INCH LENGTH OF EXTENSION.

END PLAY: .010 TO .063 [.25 TO 16.0]

BEARINGS: SLEEVE

MOUNTING POSITION: HORIZONTAL

ELECTRICAL DATA:

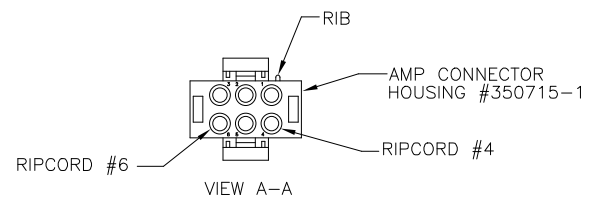
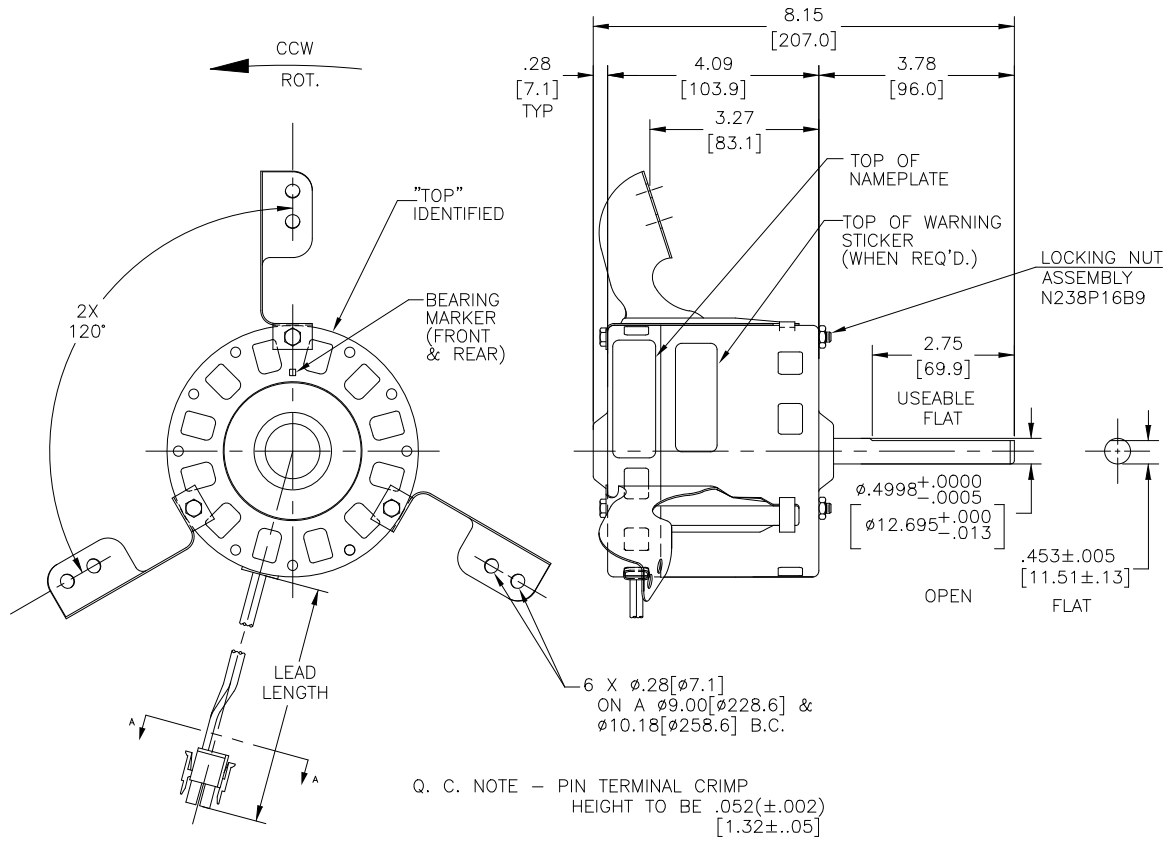
OVERLOAD PROTECTOR: AUTOMATIC RESET (T.I. 7AM 304)

LEADS: NO. 18 GA., .06[1.5] THK., EPDM 90°C INSUL.
2 CONDUCTOR BLACK RIPCORD

NOTE:
DISTRIBUTION: CUST. P/N: ONR6026
GRAINGER: CUST. P/N: 4MB32

SEE NOTE

| NAMEPLATE DATA: | EXTERNAL CONNECTION DIAGRAM |
|--|-----------------------------|
| MODEL: 326P203 CUST. P/N: HP: 1/5 ROT: CCWLE RPM: 1050 TYPE: FE FRAME: 42Y VOLTS: 115 PH: 1 AMPS: 6.5 HZ: 60 INS: B* AMB: 40°C DUTY: AIR OVER CODE: - CAP.: - ENCL: - UL LOGO CSA LOGO THERMALLY PROTECTED TYPE C | |



| | | |
|-----------------|----------------|--------------------------|
| 2 COND. RIPCORD | 17/19[432/483] | AMP PIN #350700-1 |
| | 17/19[432/483] | AMP PIN #350700-1 |
| COLOR | LENGTH | TERMINAL OR STRIP LENGTH |

| | |
|------------------|------|
| MAIN FRAME - OLE | OPEN |
| END FRAME - OLE | OPEN |
| MAIN FRAME - LE | OPEN |
| END FRAME - LE | OPEN |

| | |
|-------|-----------------------|
| CUST. | DISTRIBUTION SERVICES |
|-------|-----------------------|

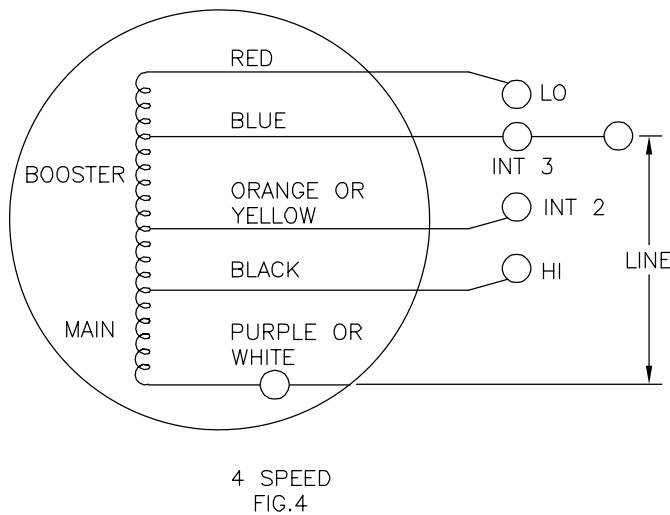
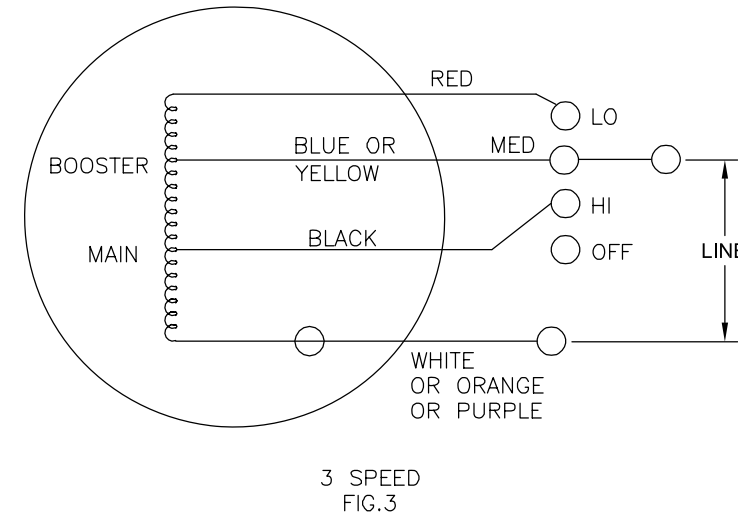
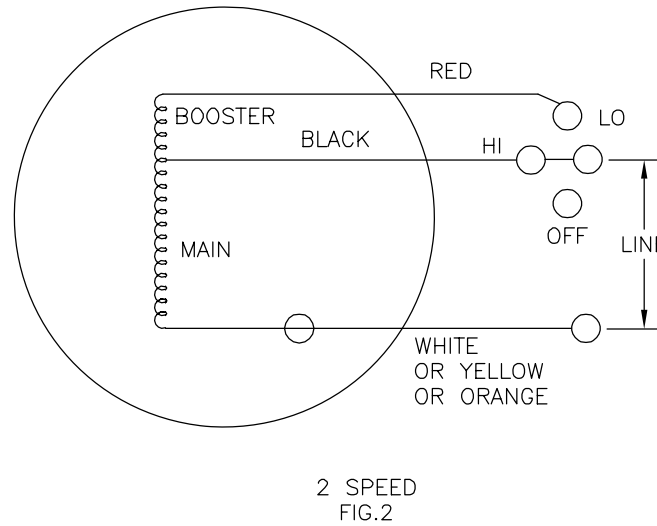
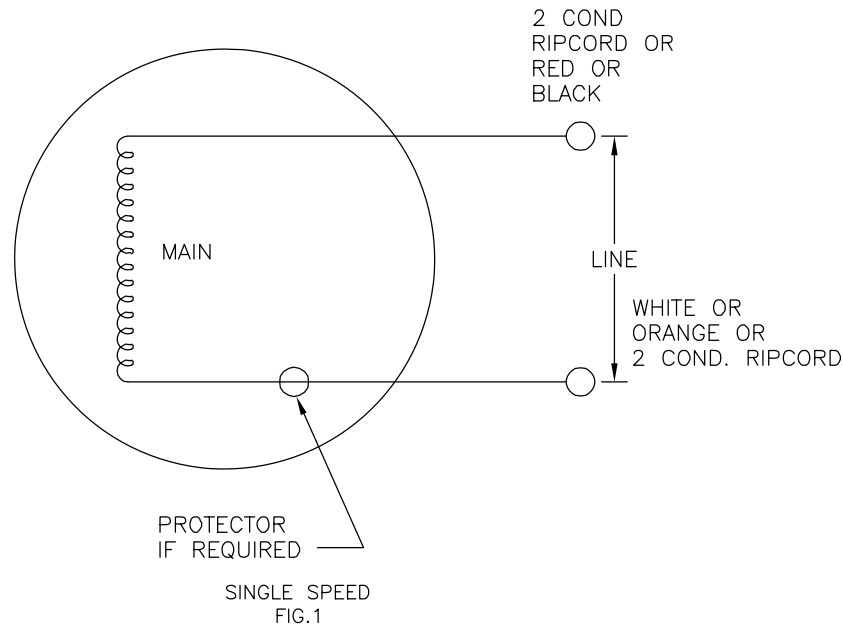
| PERFORMANCE CURVE NO. | TORQUE @ 1050 RPM (25°C) | APPROVED SAMPLE | UL COMPONENT | | CSA | |
|-----------------------|--------------------------|-----------------|--------------|---------|---------|---------|
| C30506 | 18.0 OZ. FT. | 89AC225B | FILE # | GUIDE # | FILE # | GUIDE # |
| | | | E46412 | PRGY2 | LR43341 | 4211-01 |

LEAD DATA

| | | | | | |
|---|--|------------------------|--------------|---|---------------------|
| GEOMETRIC CHARACTERISTICS & SYMBOLS ▭ FLATNESS - STRAIGHTNESS < ANGLARITY ⊥ PERPENDICULARITY (SQUARENESS) // PARALLELISM ○ ROUNDNESS (CIRCULARITY) ∅ CYLINDRICITY ∩ PROFILE OF ANY SURFACE ∩ PROFILE OF ANY LINE ∩ RUNOUT ⊕ TRUE POSITION ⊙ CONCENTRICITY = SYMMETRY ASME Y14.5M 1994 | REGAL-BELOIT CORPORATION (RBC) PROVIDES TECHNICAL ASSISTANCE TO OUR CUSTOMERS IN SEVERAL AREAS. SINCE RBC DOES NOT RECEIVE ALL DATA CONCERNING THE USE AND APPLICATION OF THE MOTOR, THE SUITABILITY OF THE MOTOR FOR THE APPLICATION MUST BE DETERMINED BY THE CUSTOMER. DIMENSIONS WITHOUT TOLERANCES ARE FOR REFERENCE ONLY. | DR BY: WBH | 04-18-1995 | Regal Rexnord Regal Beloit America, Inc. DESCRIPTION MODEL-RFHP-48FR OUTLINE SIZE C DWG NO 11692-033 SCALE NONE SHEET 1 | |
| | | APPD: JRS | 07-28-1997 | | EDS DATE 11-11-2011 |
| | | THIRD ANGLE PROJECTION | FORMAT REV G | | |

| | | | | | |
|-----|-------------|--------|------------|--------|------------|
| REV | ECO | REV BY | DATE | APPD | DATE |
| T | ECO-0018824 | J.HESS | 04-15-2011 | J.HESS | 04-15-2011 |

FOR SINGLE SPEED ONLY
COLOR OF LEADS TO BE OPTIONAL



QUALITY CONTROL NOTE:
TO CHECK THE WINDINGS FOR OPENS VERIFY THE CONTINUITY AS OUTLINED BELOW.
FIG.1 BETWEEN WHITE AND BLACK OR WHITE & RED LEADS
FIG.2, 3 & 4, BETWEEN THE WHITE & RED LEADS.

GEOMETRIC CHARACTERISTICS & SYMBOLS

- ▭ FLATNESS
- STRAIGHTNESS
- ∠ ANGULARITY
- ⊥ PERPENDICULARITY (SQUARENESS)
- // PARALLELISM
- ROUNDNESS (CIRCULARITY)
- ⊘ CYLINDRICITY
- △ PROFILE OF ANY SURFACE
- ∩ PROFILE OF ANY LINE
- ↗ RUNOUT
- ⊕ TRUE POSITION
- ◎ CONCENTRICITY
- ≡ SYMMETRY

UNLESS OTHERWISE SPECIFIED
DIM. TOLERANCES ARE AS FOLLOWS:

| | | | | |
|------|------|-------|--------|--------|
| INCH | ±.1 | ±.02 | ±.005 | ±.0005 |
| mm | ±0.5 | ±0.13 | ±0.013 | |

ANG. ±.50 DEG
REMOVE BURRS & BREAK SHARP EDGES:
INCH .003-.015 mm 0.1-0.4
CORNER FILLETS TO:
INCH .020 mm 0.5
MACHINE SURFACES:
INCH 125 mm 3.2
METRIC DIMS. SHOWN IN [BRACKETS]

| | | |
|---|-------|-------------------------------------|
| DR BY: | KLINE | 10-24-1966 |
| APPD: | RDS | 10-27-1966 |
| THIRD ANGLE PROJECTION | | EDS DATE 02-22-2008 FORMAT REV F |
| CONFIDENTIAL: THIS DRAWING AND ITS INFORMATION ARE THE EXCLUSIVE AND CONFIDENTIAL PROPERTY OF A.O. SMITH CORP. AND ARE NOT TO BE DISCLOSED, DUPLICATED, DISTRIBUTED OR OTHERWISE USED WITHOUT THE WRITTEN CONSENT OF A.O. SMITH CORP. -ALL RIGHTS RESERVED. ASME Y14.5M 1994 | | |

| | | | |
|--|----------------------|---|--|
| ACSmith Innovation has a name. | | ELECTRICAL PRODUCTS COMPANY A DIVISION OF A. O. SMITH CORPORATION | |
| DESCRIPTION CONN DIAGRAM-EXTERNAL | | | |
| SIZE C | DWG NO 261B865F01 | SHEET 1 | |
| SCALE NONE | | | |

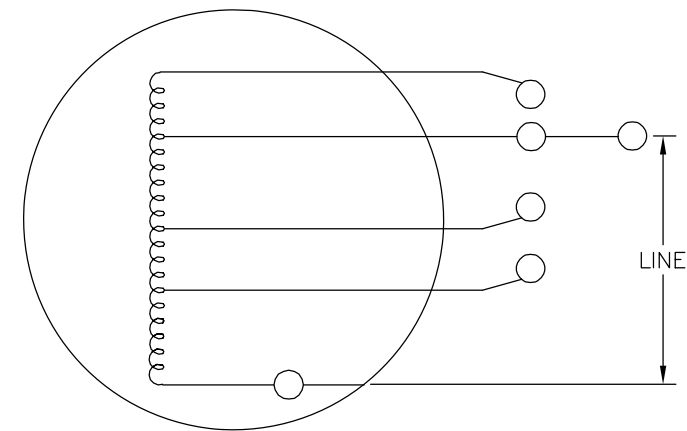
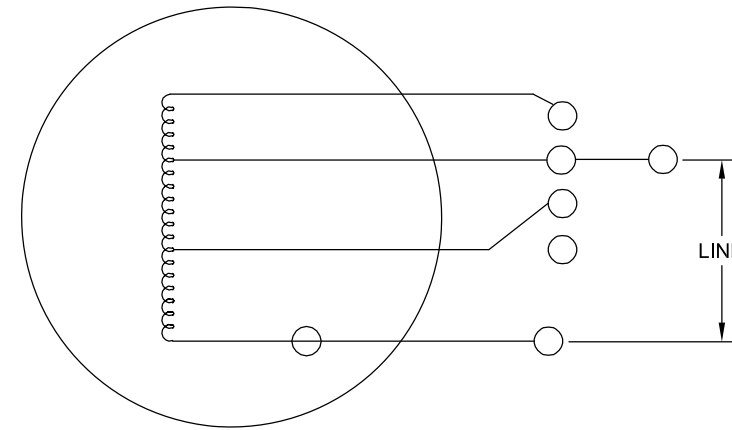
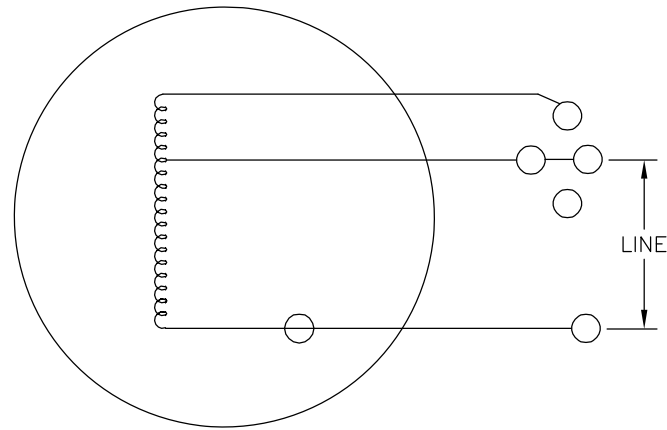
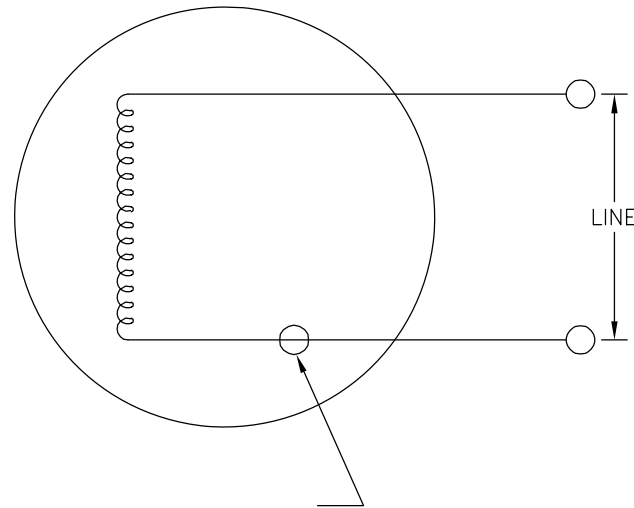
4

3

2

1

| | | | | | |
|-----------|-------------|---------------|------------|---------------|------------|
| REVISION: | ECO | REVISADO POR: | FECHA: | APROBADO POR: | FECHA: |
| T | ECO-0018824 | J.HESS | 04-15-2011 | J.HESS | 04-15-2011 |



CARACTERISTICAS DE GEOMETRIA Y SIMBOLOS

- ▭ PLANICIDAD
- RECTITUD
- ∠ ANGULARIDAD
- ⊥ PERPENDICULARIDAD (A ESCUADRA)
- // PARALELISMO
- REDONDEZ (CIRCULARIDAD)
- ∅ CILINDRICIDAD
- △ PERFIL DE CUALQUIER SUPERFICIE
- ∩ PERFIL DE CUALQUIER LINEA
- ↑ VARIACION
- ⊕ POSICION REAL
- ◎ CONCENTRICIDAD
- = SIMETRIA

A MENOS QUE SE ESPECIFIQUE DE OTRA MANERA, LAS TOLERANCIAS DE LAS DIMS; SON LAS SIGUIENTES:

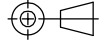
| | | | | |
|------|------|-------|--------|--------|
| PULG | ±.1 | ±.02 | ±.005 | ±.0005 |
| mm | ±0.5 | ±0.13 | ±0.013 | |


ANG. ± 50 GRADOS
ELIMINAR REBABAS Y ORILLAS FILOSAS DEL BORDE.

| | | | |
|------|-----------|----|---------|
| PULG | .003-.015 | mm | 0.1-0.4 |
|------|-----------|----|---------|

FILETEAR ESQUINA: PULG .020 mm 0.5
MAQUINAR SUPERFICIES
PULG 125 mm .32

DIMS METRICAS MOSTRADAS [PARENTESIS]

| | | |
|--|---|--|
| DIBUJADO POR: | KLINE | 10-24-1966 |
| APROBADO POR: | RDS | 10-27-1966 |
| TERCER ANGULO DE PROYECCION |  | FECHA EDS: 02-22-2008 REV. FORMATO: F |
| CONFIDENCIAL: ESTE DIBUJO Y SU INFORMACION SON PROPIEDAD DE USO EXCLUSIVO Y CONFIDENCIAL DE A.O.SMITH CORP. Y NO DEBERAN SER REVELADOS, DUPLICADOS, DISTRIBUIDOS O USARSE DE OTRA MANERA SIN EL CONSENTIMIENTO ESCRITO DE A.O. SMITH CORP. -TODOS LOS DERECHOS RESERVADOS.ASME Y14.5M 1994 | | |

| | |
|--|------------------------------|
|  ELECTRICAL PRODUCTS COMPANY <small>A DIVISION OF A. O. SMITH CORPORATION</small> | |
| DESCRIPCION: | |
| CONN DIAGRAM-EXTERNAL | |
| TAMAÑO: C | NUMERO DE DIBUJO: 261B865F01 |
| ESCALA:NONE | HOJA: 1 |

4

3

2

1

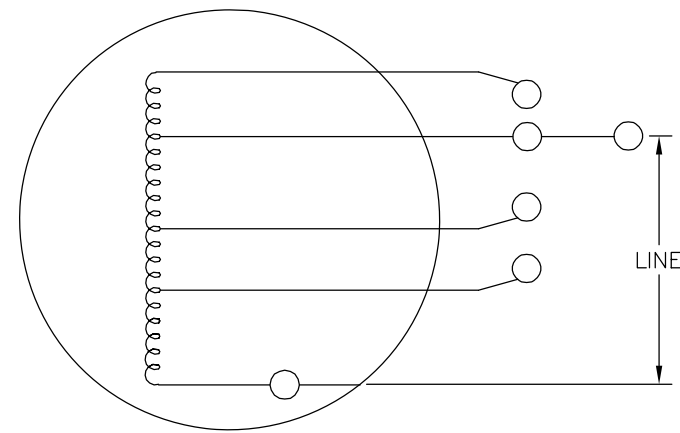
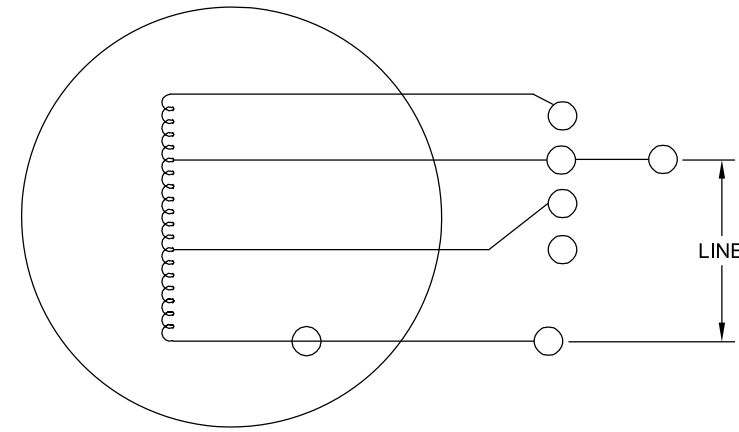
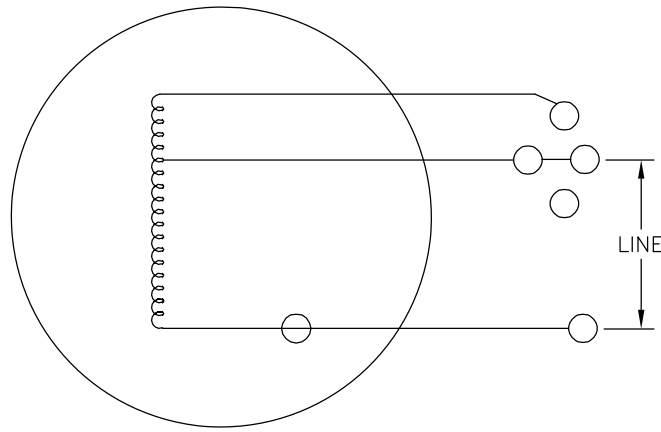
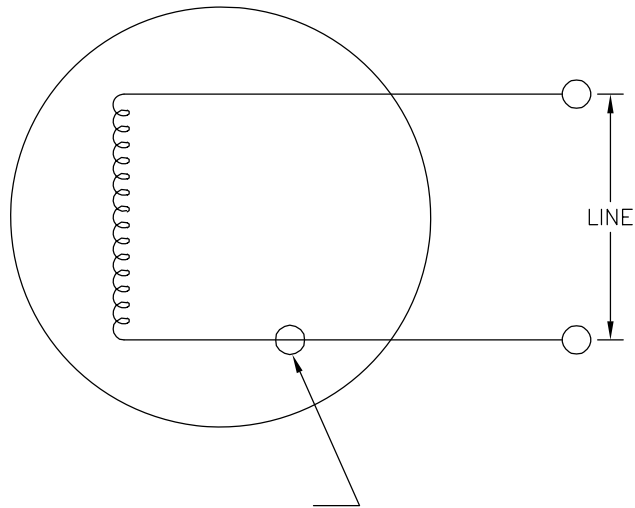
4

3

2

1

| | | | | | |
|----|-------------|--------|------------|--------|------------|
| 版本 | ECO | 编制 | 日期 | 批准 | 日期 |
| T | ECO-0018824 | J.HESS | 04-15-2011 | J.HESS | 04-15-2011 |



| |
|--------|
| 形位公差 |
| □ 平面度 |
| — 直线度 |
| ∠ 倾斜度 |
| ⊥ 垂直度 |
| // 平行度 |
| ○ 圆度 |
| ⊘ 圆柱度 |
| ∩ 内圆角 |
| △ 面轮廓度 |
| ∩ 线轮廓度 |
| ↗ 圆跳动 |
| ⊕ 位置度 |
| ⊙ 同轴度 |
| ≡ 对称度 |

| |
|------------------------------|
| 除另有注明 尺寸公差如下: |
| 英寸 X XX XXX XXXX |
| 毫米 ±0.1 ±0.02 ±0.005 ±0.0005 |
| 毫米 ±0.5 ±0.13 ±0.013 |
| 角度 ±.50 度 |
| 清理毛刺和尖棱 |
| 英寸 .003-.015 毫米 0.1-0.4 |
| 内圆角 |
| 英寸 .020 毫米 0.5 |
| 表面粗糙度 |
| 英制 125 米制 3.2 |
| 米制尺寸显示在 [] |

| | | |
|---|-------|---------------------------------|
| 绘图: | KLINE | 10-24-1966 |
| 批准: | RDS | 10-27-1966 |
| 第三角投影 | | 图纸格式发布日期 02-22-2008 图纸格式版本 F |
| 机密: 本图纸及相关信息所有权归A. O. SMITH公司所有。 未经A. O. SMITH公司书面授权, 不得泄露、复制、传播或作 其他用途。—版权所有 | | |
| ASME Y14.5M 1994 | | |

| | | | |
|--|------|---|------------|
| ACSmith Innovation has a name. | | ELECTRICAL PRODUCTS COMPANY A DIVISION OF A. O. SMITH CORPORATION | |
| 名称 CONN DIAGRAM-EXTERNAL | | | |
| 图幅 | C | 图号 | 261B865F01 |
| 比例 | NONE | 页号 | 1 |

4

3

2

1