

# PRODUCT INFORMATION PACKET



Model No: ORM1008V1  
Catalog No: ORM1008V1

OEM Replacement Motor, 1/8 HP, 1 Ph, 60 Hz, 208-230 V, 825 RPM, 2 Speed, 48 Frame, SEMI ENCLOSED



Regal and Century are trademarks of Regal Rexnord Corporation or one of its affiliated companies.  
©2022 Regal Rexnord Corporation, All Rights Reserved. MC017097E





**Nameplate Specifications**

Output HP	1/8 Hp	Output KW	0.10 kW
Frequency	60 Hz	Voltage	208-230 V
Current	1.4 A	Speed	825 rpm
Service Factor	1	Phase	1
Duty	Air Over	Insulation Class	B
Frame	48Y	Enclosure	Semi Enclosed
Thermal Protection	Automatic	Ambient Temperature	40 °C
UL	Recognized	CSA	Y
CE	N	Number of Speeds	2

**Technical Specifications**

Electrical Type	Permanent Split Capacitor	Starting Method	Across The Line
Poles	8	Rotation	Counterclockwise Lead End
Mounting	Round Belly Band	Motor Orientation	Any
Drive End Bearing	Sleeve	Opp Drive End Bearing	Sleeve
Frame Material	Rolled Steel	Shaft Type	Flat
Overall Length	6.54 in	Frame Length	3.25 in
Shaft Diameter	0.500 in	Shaft Extension	2.7 in
Outline Drawing	11915-021	Connection Drawing	614131-070

This is an uncontrolled document once printed or downloaded and is subject to change without notice. Date Created:11/28/2022

**GENERAL INFORMATION:**

SHAFT RUNOUT: .001 T.I.R. PER INCH LENGTH OF EXTENSION.

END PLAY: .010 TO .063

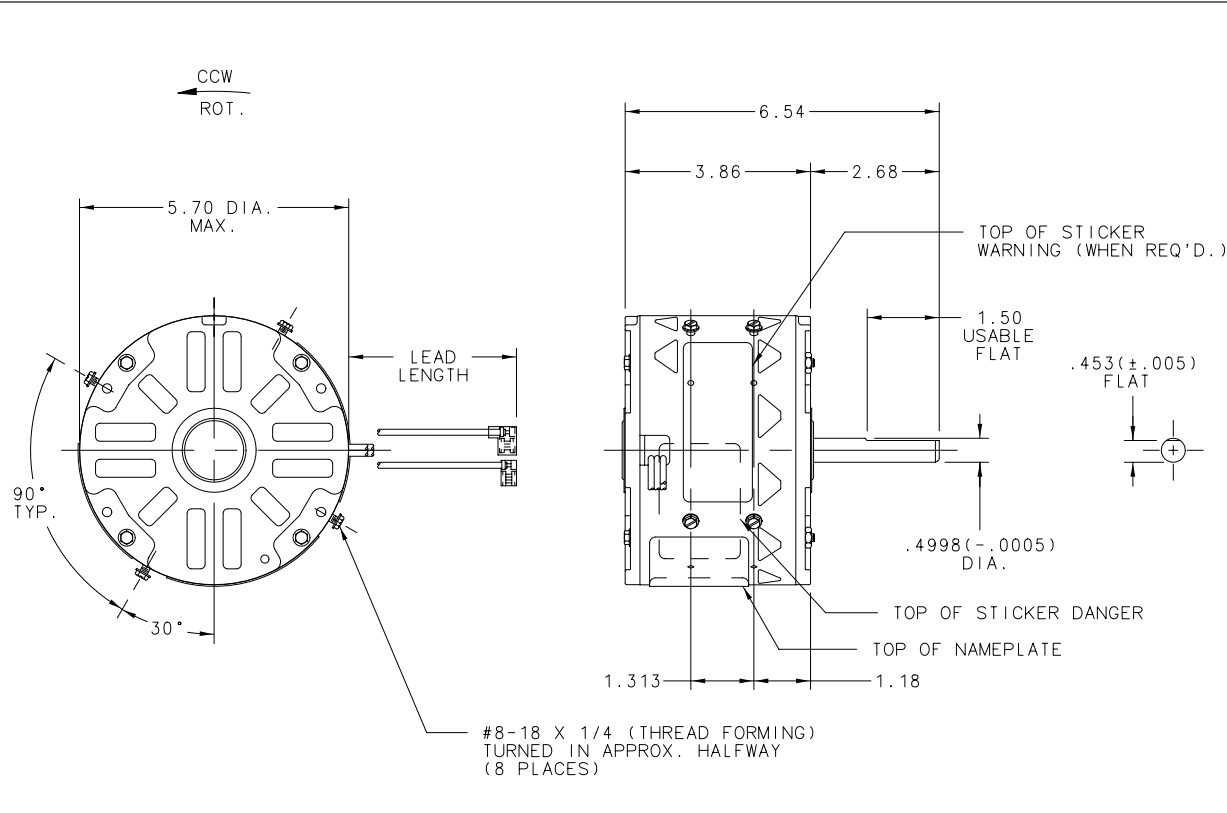
BEARINGS: SLEEVE

MOUNTING POSITION: ALL ANGLE

**ELECTRICAL DATA:**

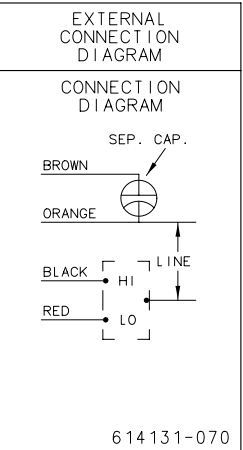
OVERLOAD PROTECTOR: AUTOMATIC RESET (T.I. 7AM 036)

LEADS: NO. 18 GA., .06 THK., 125°C XLP



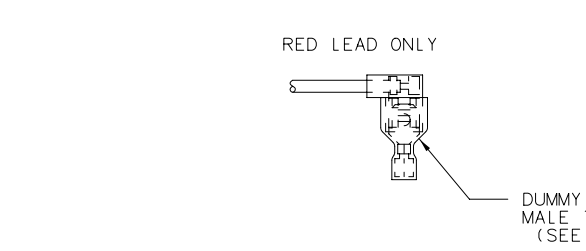
**NAMEPLATE DATA:**

MODEL: F48E51A01  
 CUST. P/N: ORM1008V1  
 HP: 1/8  
 ROT: CCWLE  
 RPM: 825/2 SPD  
 TYPE: UF  
 FRAME: 48Y  
 VOLTS: 208-230  
 PH: 1  
 AMPS: 1.4  
 HZ: 60/50  
 INS: B  
 AMB: 40 °C  
 DUTY: AIR OVER  
 CODE: -  
 CAP.: 5 MFD/370V  
 ENCL: SEMI-ENCL.  
 UL LOGO  
 CSA LOGO  
 THERMALLY PROTECTED



PERFORMANCE CURVE NO.	TORQUE @ 825 RPM (25°C)	APPROVED SAMPLE	UL COMPONENT FILE#	GUIDE#	CSA FILE#	GUIDE#
C30855	18.4 OZ. FT.	92AE834A	E46412	PRGY2	LR43341	260-0-0

DATE	CHANGED FROM	APPROVED ENG DRG	NOTICE	DATE	CHANGED FROM	APPROVED ENG DRG	NOTICE
J				B 02/04/99	REVISED MODEL NO., CUST. P/N, CUST. NAME, AND ENCL.	JAR WBH	98AR0359
K				C 05/07/04	REMOVED STRAY GEOMETRY	KAG KAG	0442177
L				D			
M				E			
N				F			
P				G			
R				H			



BROWN	14 / 16	.25 FLAG
ORANGE	14 / 16	.25 FLAG
BLACK	14 / 16	.25 PRE-INSUL. FLAG
RED	14 / 16	.25 PRE-INSUL. FLAG
COLOR	LENGTH	TERMINAL OR STRIP LENGTH

**LEAD DATA**

MAIN FR.-OLE	OPEN
END FR.-OLE	OPEN
MAIN FR.-LE	SEMI-ENCL.
END FR.-LE	OPEN

**ENCLOSURE**

CUST. DTSTRIBUTION SERVICES

A.O. SMITH PROVIDES TECHNICAL ASSISTANCE TO OUR CUSTOMERS IN SEVERAL AREAS. SINCE A.O. SMITH DOES NOT RECEIVE ALL DATA CONCERNING THE USE AND APPLICATION OF THE MOTOR, THE SUITABILITY OF THE MOTOR FOR THE APPLICATION MUST BE DETERMINED BY THE CUSTOMER.

DIMENSIONS WITHOUT TOLERANCES ARE FOR REF. ONLY

CONFIDENTIAL: THIS DRAWING AND ITS INFORMATION ARE THE EXCLUSIVE AND CONFIDENTIAL PROPERTY OF A.O. SMITH CORP. AND ARE NOT TO BE DISCLOSED, DUPLICATED, DISTRIBUTED OR OTHERWISE USED WITHOUT THE WRITTEN CONSENT OF A.O. SMITH CORP. - ALL RIGHTS RESERVED

MATERIAL -

PROCESS -

DRAWN RUPERT 11/03/93

APPROVED TPR 03/21/94

REFERENCE -

APPLICATION F48E51A01

USER/FILE PSCS/MOTOUT

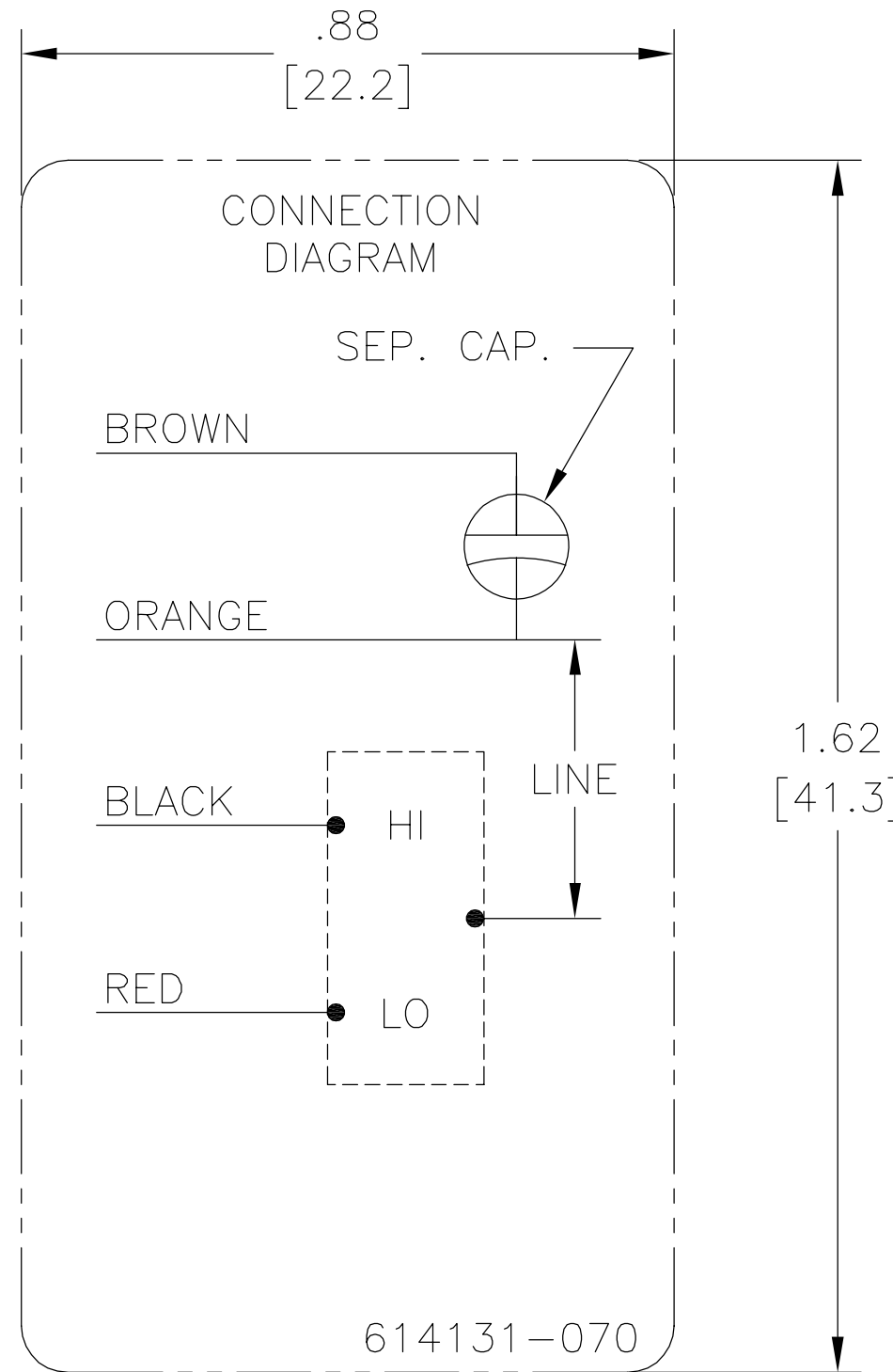
**A.O. SMITH** ELECTRICAL PRODUCTS COMPANY  
 1199 CITY, OHIO  
 A DIVISION OF A.O. SMITH CORPORATION  
 COPYRIGHT 1995

DESCRIPTION: **OUTLINE MOTOR**

SIZE **B** PART NUMBER **11915-021**

SCALE NONE NOTICE 93AN0718 SHEET 1

REV	ECO	REV BY	DATE	APPD	DATE
B	ECO-0028985	jrupert	10-24-2012	jrupert	10-24-2012



NOTES:

1. FOR USE WITH 614129 NAMEPLATE BLANK
2. ———— INDICATES DIMENSION LIMITS
3. DIE TO BE MADE FROM MASTER SUPPLIED BY REGAL BELOIT CORPORATION
4. DIE MUST PRODUCE A LEGIBLE IMPRESSION.

GEOMETRIC CHARACTERISTICS & SYMBOLS

- ▭ FLATNESS
- STRAIGHTNESS
- ∠ ANGULARITY
- ⊥ PERPENDICULARITY (SQUARENESS)
- // PARALLELISM
- ROUNDNESS (CIRCULARITY)
- ⊘ CYLINDRICITY
- ⌒ PROFILE OF ANY SURFACE
- ⌒ PROFILE OF ANY LINE
- ↗ RUNOUT
- ⊕ TRUE POSITION
- ◎ CONCENTRICITY
- ≡ SYMMETRY

ASME Y14.5M 1994

UNLESS OTHERWISE SPECIFIED  
DIM. TOLERANCES ARE AS FOLLOWS:

INCH	±.1	±.02	±.005	±.0005
mm	±0.5	±0.13	±0.013	

ANG. ±.50 DEG

REMOVE BURRS & BREAK SHARP EDGES:  
INCH .003-.015 mm 0.1-0.4

CORNER FILLETS TO:  
INCH .020 mm 0.5

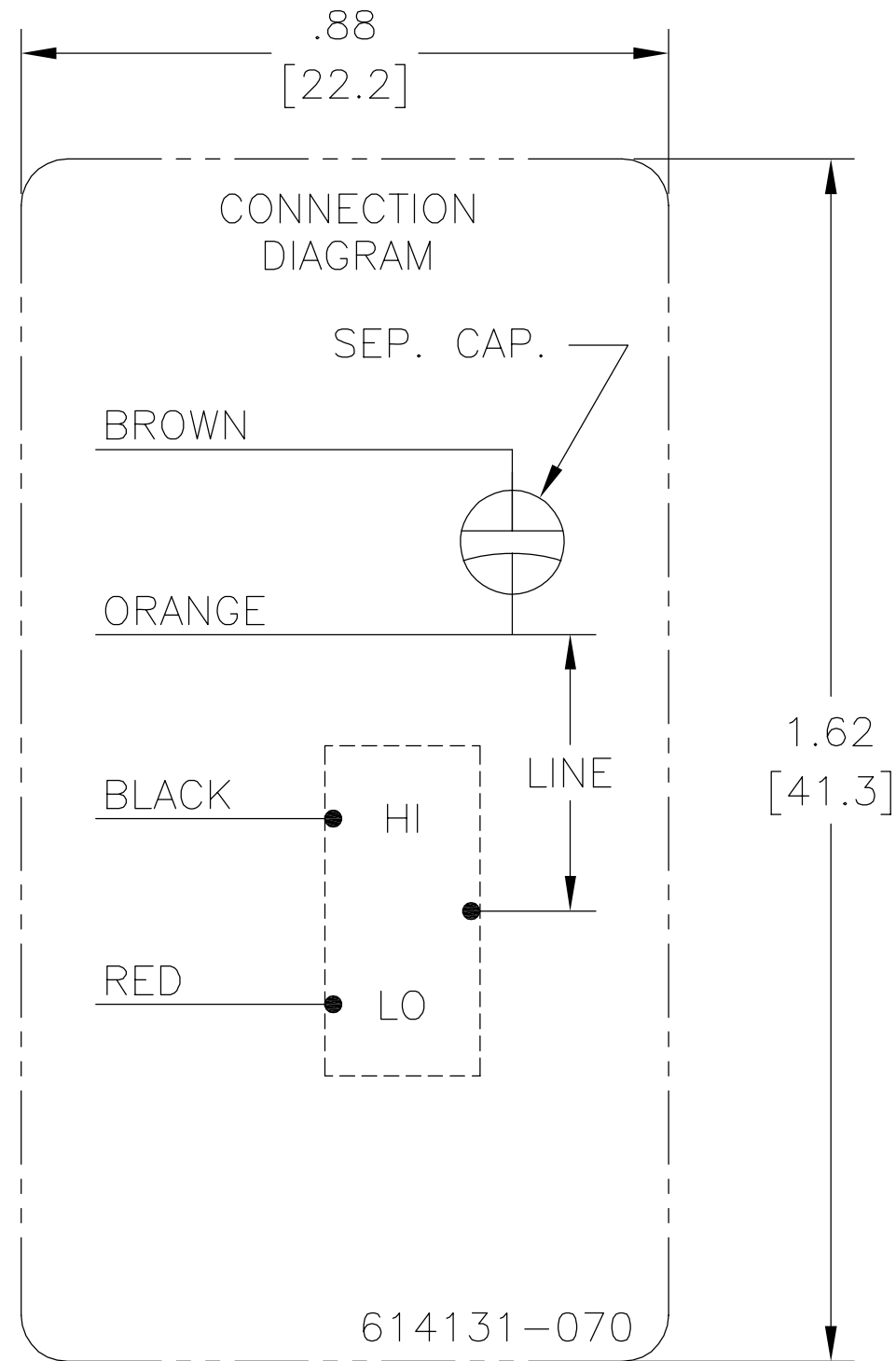
MACHINE SURFACES:  
INCH 125 mm 3.2

METRIC DIMS. SHOWN IN [BRACKETS]

DR BY:	jrupert	10-24-2012
APPD:	jrupert	10-24-2012
THIRD ANGLE PROJECTION		EDS DATE 11-11-2011 FORMAT REV H
CONFIDENTIAL: THIS DRAWING AND ITS INFORMATION ARE THE EXCLUSIVE AND CONFIDENTIAL PROPERTY OF REGAL -BELOIT CORPORATION AND ARE NOT TO BE DISCLOSED, DUPLICATED, DISTRIBUTED OR OTHERWISE USED WITHOUT THE WRITTEN CONSENT OF REGAL-BELOIT CORPORATION. -ALL RIGHTS RESERVED.		

<b>REGAL</b> REGAL-BELOIT CORPORATION	
DESCRIPTION CONN DIAGRAM-NAMEPLATE	
SIZE A	DWG NO 614131-070
SCALE NONE	SHEET 1

REVISION:	ECO	REVISADO POR:	FECHA:	APROBADO POR:	FECHA:
B	ECO-0028985	jrupert	10-24-2012	jrupert	10-24-2012



NOTAS:

1. PARA USO CON ETIQUETA EN BLANCO 614129.
2. ——— ——— INDICA LIMITE DE DIMENSIONES
3. MOLDE DEBERA ESTAR HECHO POR REFERENCIA SUBMINISTRADA POR REGAL BELOIT CORPORATION.
4. MOLDE DEBERA PRODUCIRSE CON IMPRESION LEGIBLE.

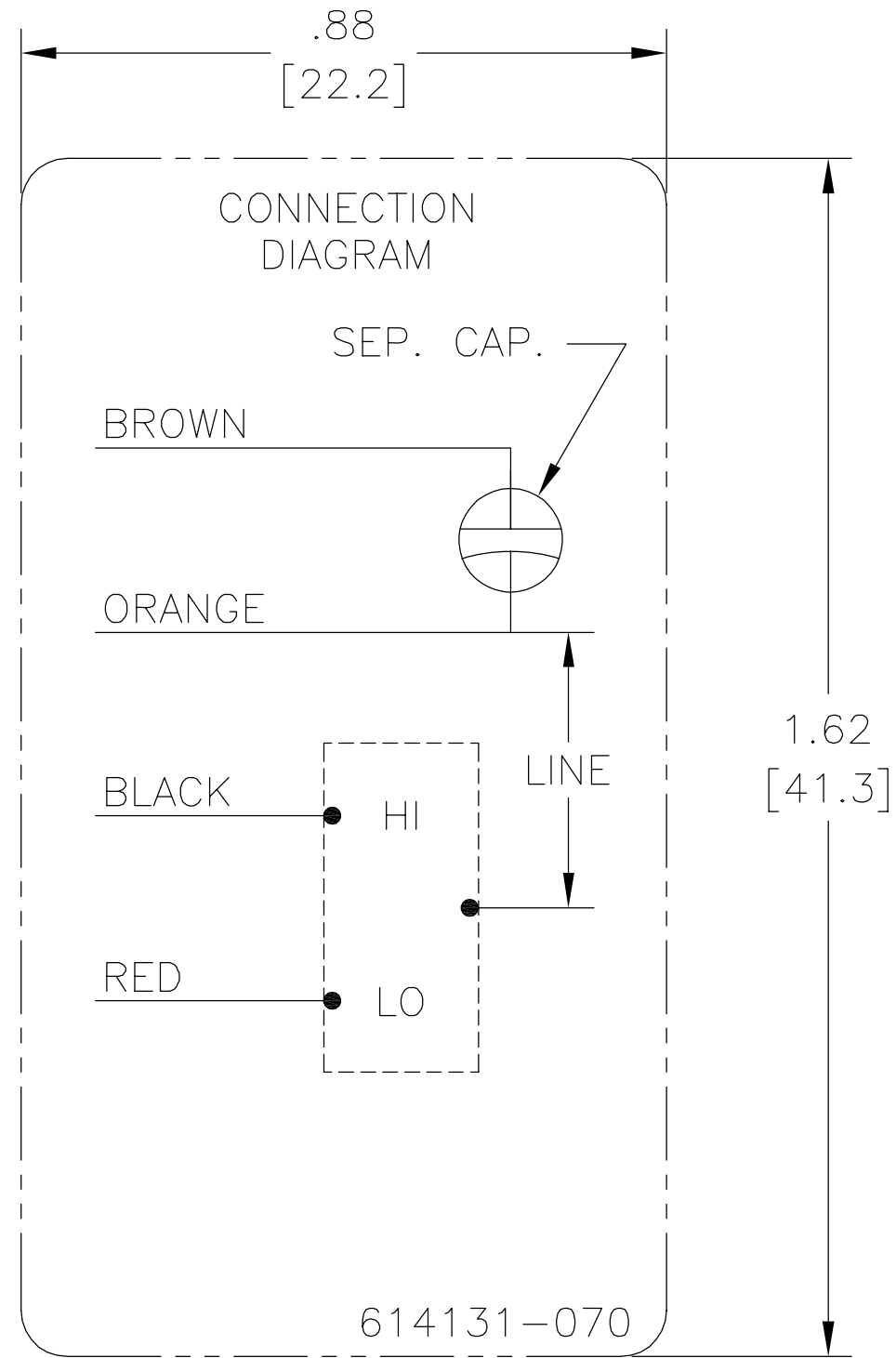
CARACTERISTICAS DE GEOMETRIA Y SIMBOLOS ▯ PLANICIDAD — RECTITUD < ANGULARIDAD ⊥ PERPENDICULARIDAD (A ESCUADRA) // PARALELISMO ○ REDONDEZ (CIRCULARIDAD) ∅ CILINDRICIDAD ⊖ PERFIL DE CUALQUIER SUPERFICIE ∩ PERFIL DE CUALQUIER LINEA ↗ VARIACION ⊕ POSICION REAL ⊙ CONCENTRICIDAD = SIMETRIA
---

A MENOS QUE SE ESPECIFIQUE DE OTRA MANERA, LAS TOLERANCIAS DE LAS DIMS; SON LAS SIGUIENTES: PULG ±.1 ±.02 ±.005 ±.0005 mm ±0.5 ±0.13 ±0.013 ANG. ±.50 GRADOS ELIMINAR REBABAS Y ORILLAS FILOSAS DEL BORDE. PULG .003-.015 mm 0.1-0.4 FILETEAR ESQUINA: PULG .020 mm 0.5 MAQUINAR SUPERFICIES PULG 125 mm 3.2 DIMS METRICAS MOSTRADAS [PARENTESIS]
--

DIBUJADO POR: jrupert	10-24-2012
APROBADO POR: jrupert	10-24-2012
TERCER ANGULO DE PROYECCION	FECHA EDS: 11-11-2011 REV. FORMATO: H
CONFIDENCIAL: ESTE DIBUJO Y SU INFORMACION SON PROPIEDAD DE USO EXCLUSIVO Y CONFIDENCIAL DE REGAL-BELOIT CORPORATION Y NO DEBERAN SER REVELADOS, DUPLICADOS, DISTRIBUIDOS O USARSE DE OTRA MANERA SIN EL CONSENTIMIENTO ESCRITO DE REGAL-BELOIT CORPORATION.-TODOS LOS DERECHOS RESERVADOS.	

<b>REGAL-BELOIT CORPORATION</b>	
DESCRIPCION: CONN DIAGRAM-NAMEPLATE	
TAMAÑO: A	NUMERO DE DIBUJO: 614131-070
ESCALA: NONE	HOJA: 1

版本	ECO	编制	日期	批准	日期
B	ECO-0028985	jrupert	10-24-2012	jrupert	10-24-2012



形位公差	除另有注明
□ 平面度	尺寸公差如下:
— 直线度	英寸 X XX XXX XXXX
∠ 倾斜度	英寸 ±.1 ±.02 ±.005 ±.0005
⊥ 垂直度	毫米 ±0.5 ±0.13 ±0.013
// 平行度	角度 ±.50 度
○ 圆度	清理毛刺和尖棱
⊘ 圆柱度	英寸 .003-.015 毫米 0.1-0.4
△ 面轮廓度	内圆角
∩ 线轮廓度	英寸 .020 毫米 0.5
↗ 圆跳动	表面粗糙度
⊕ 位置度	英制 125 米制 3.2
◎ 同轴度	米制尺寸显示在 [ ]
≡ 对称度	

ASME Y14.5M 1994	米制尺寸显示在 [ ]
------------------	-------------

绘图:	jrupert	10-24-2012
批准:	jrupert	10-24-2012
第三角投影		图纸格式发布日期 11-11-2011 图纸格式版本 H
机密:本图纸及相关信息所有权归REGAL-BELOIT CORPORATION 未经REGAL-BELOIT CORPORATION书面授权,不得泄露、 复制、传播或作其他用途。—版权所有		

<b>REGAL-BELOIT CORPORATION</b>	
名称	CONN DIAGRAM-NAMEPLATE
图幅	A
图号	614131-070
比例	NONE
页号	1