

# PRODUCT INFORMATION PACKET



Model No: ORM10206V1

Catalog No: ORM10206V1

OEM Replacement Motor, 1/5 HP, 1 Ph, 60 Hz, 208-230 V, 1075 RPM, 1 Speed, 48 Frame, ENCLOSED



Regal and Century are trademarks of Regal Rexnord Corporation or one of its affiliated companies.

©2022 Regal Rexnord Corporation, All Rights Reserved. MC017097E





**Nameplate Specifications**

Output HP	1/5 Hp	Output KW	0.15 kW
Frequency	60 Hz	Voltage	208-230 V
Current	1.4 A	Speed	1075 rpm
Service Factor	1	Phase	1
Duty	Air Over	Insulation Class	B
Frame	48Y	Enclosure	Totally Enclosed
Thermal Protection	Automatic	Ambient Temperature	40 °C
UL	Recognized	CSA	Y
CE	N	Number of Speeds	1

**Technical Specifications**

Electrical Type	Permanent Split Capacitor	Starting Method	Across The Line
Poles	6	Rotation	Reversible
Mounting	Extended Studs	Motor Orientation	Any
Drive End Bearing	Ball	Opp Drive End Bearing	Ball
Frame Material	Rolled Steel	Shaft Type	Flat
Overall Length	8.49 in	Frame Length	3.25 in
Shaft Diameter	0.500 in	Shaft Extension	4.3 in
Connection Drawing	614131-322	Outline Drawing	ORM10206V1-S01

This is an uncontrolled document once printed or downloaded and is subject to change without notice. Date Created:11/29/2022

**GENERAL INFORMATION.**

SHAFT RUNOUT: .001 [.03] T.I.R. PER INCH LENGTH OF EXTENSION

BEARINGS: BALL

MOUNTING POSITION: ALL ANGLE

**ELECTRICAL DATA:**

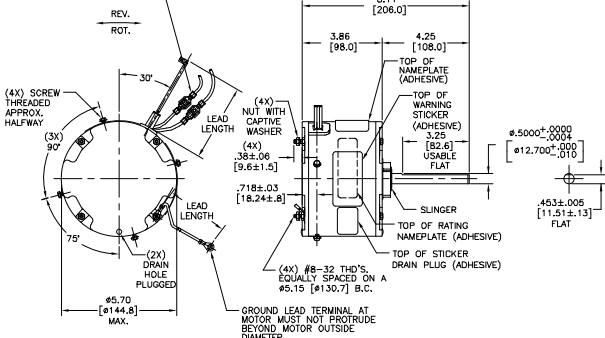
OVERLOAD PROTECTOR: AUTOMATIC RESET (SENSATA 7AM 036)

LEADS: NO. 18 GA., .06 [1.5] THK., PVC 105°C INSUL.

REVERSING LEADS: NO. 18 GA., .03 [.8] THK., XLP 125°C INSUL.

GROUND LEAD: NO. 18 GA., .03 [.8] THK., (GREEN) INSUL.

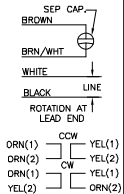
REVERSING LEADS. MOTOR TO BE SHIPPED CONNECTED FOR CCWw ROTATION.



**NAMEPLATE DATA:**

**EXTERNAL CONNECTION DIAGRAM**

MODEL NO: F48V61A01  
 CUST P/N: DRV102D6V1  
 HP: 1/5  
 ROT: REVERSIBLE  
 RPM: 1075  
 UF  
 TYPE: 48Y  
 FRAME: 48Y  
 VOLTS: 208-230  
 PH: 1  
 AMPS: 1.4  
 HZ: 60  
 INS.: B  
 AMB: 40°C  
 DUTY: AIR OVER  
 CAP.: 5 OR 3MFD/370V  
 ENCL: ENCLOSED  
 CSA LOGO  
 UL LOGO  
 THERMALLY PROTECTED



614131-322

PERFORMANCE CURVE NO.	TORQUE @1075 RPM (25°C)	APPROVED SAMPLE	UL COMPONENT FILE #	CCN #	CSA FILE #	CLASS #
C32397	17.8 OZ. FT.	0444592B	E46412	PRGY2	LR43341	4211-01

GREEN (GRD)	6.0/7.0 [152/178]	#10 EYELET
YELLOW (REV.)	4.0/5.0 [102/127]	.25 [6.4] INSUL. MALE TAB
YELLOW (REV.)	4.0/5.0 [102/127]	.25 [6.4] INSUL. FEMALE SPADE
ORANGE (REV.)	4.0/5.0 [102/127]	.25 [6.4] INSUL. MALE TAB
ORANGE (REV.)	4.0/5.0 [102/127]	.25 [6.4] INSUL. FEMALE SPADE
BROWN/WHITE	41.0/44.0 [1041/1117]	.25 [6.4] FLAG
BROWN	41.0/44.0 [1041/1117]	.25 [6.4] FLAG
WHITE	41.0/44.0 [1041/1117]	.25 [6.4] FLAG
BLACK	41.0/44.0 [1041/1117]	.25 [6.4] FLAG
COLOR	LENGTH	TERMINAL OR STRIP LENGTH

REGAL-BELT CORPORATION (RBC) PROVIDES TECHNICAL ASSISTANCE TO OUR CUSTOMERS IN SEVERAL AREAS. SINCE RBC DOES NOT RECEIVE ALL DATA CONCERNING THE USE AND APPLICATION OF THE MOTOR, THE SUITABILITY OF THE MOTOR FOR THE APPLICATION MUST BE DETERMINED BY THE CUSTOMER. DIMENSIONS WITHOUT TOLERANCES ARE FOR REFERENCE ONLY.

ENCLOSURE	
END FRAME - LE	ENCLOSED
MAIN FRAME - LE	ENCLOSED
END FRAME - OLE	ENCLOSED
MAIN FRAME - OLE	ENCLOSED

**NOTES:**

1. THE SYMBOL OF CTQ: ▲ (NO CTQ ON THIS DRAWING).
2. MEET THE REQUIREMENT OF RoHS & REACH, SEE EP000014\_5.1.

CUSTOMER	DISTRIBUTION SERVICES
----------	-----------------------

ISSUING REVISION NUMBER: 03-11-2021  
 BY: S. BURTON  
 DATE: 03-11-2021  
 NO. OF REVISED: 1  
 APPROVED BY: S. BURTON  
 DATE: 03-11-2021

ISSUING BY: S. BURTON  
 DATE: 03-11-2021  
 APPROVED BY: S. BURTON  
 DATE: 03-11-2021  
 PROCESSED BY: S. BURTON  
 DATE: 03-11-2021  
 HARD ANGLE PROJECTION: C

Regal Beloit America, Inc.  
 MODEL-RFHP-48FR  
 OUTLINE  
 QRM102026V1