

# PRODUCT INFORMATION PACKET



Model No: ORM1026L

Catalog No: ORM1026L

OEM Replacement Motor, 1/4 HP, 1 Ph, 60 Hz, 115 V, 1075 RPM, 3 Speed, 48 Frame, OPEN



Regal and Century are trademarks of Regal Rexnord Corporation or one of its affiliated companies.

©2025 Regal Rexnord Corporation, All Rights Reserved. MC017097E





**Nameplate Specifications**

Phase	1	Output HP	1/4 Hp
Output KW	0.19 kW	Voltage	115 V
Speed	1075 rpm	Service Factor	1.0
Frame	48Y	Enclosure	Open Enclosed
Thermal Protection	Automatic	Ambient Temperature	40 °C
Frequency	60 Hz	Current	5.8 A
Duty	Continuous Air Over	Insulation Class	B
UL	Recognized	CSA	Y
CE	N	Number of Speeds	3

**Technical Specifications**

Electrical Type	Permanent Split Capacitor	Starting Method	Across The Line
Poles	6	Rotation	Counterclockwise Lead End
Mounting	Extended Studs	Motor Orientation	Horizontal
Drive End Bearing	Sleeve	Opp Drive End Bearing	Sleeve
Frame Material	Rolled Steel	Shaft Type	Flat
Overall Length	7.36 in	Frame Length	3.75 in
Shaft Diameter	0.500 in	Shaft Extension	3 in
Connection Drawing	614131-015	Outline Drawing	12622-001-S01

This is an uncontrolled document once printed or downloaded and is subject to change without notice. Date Created:02/10/2025

4

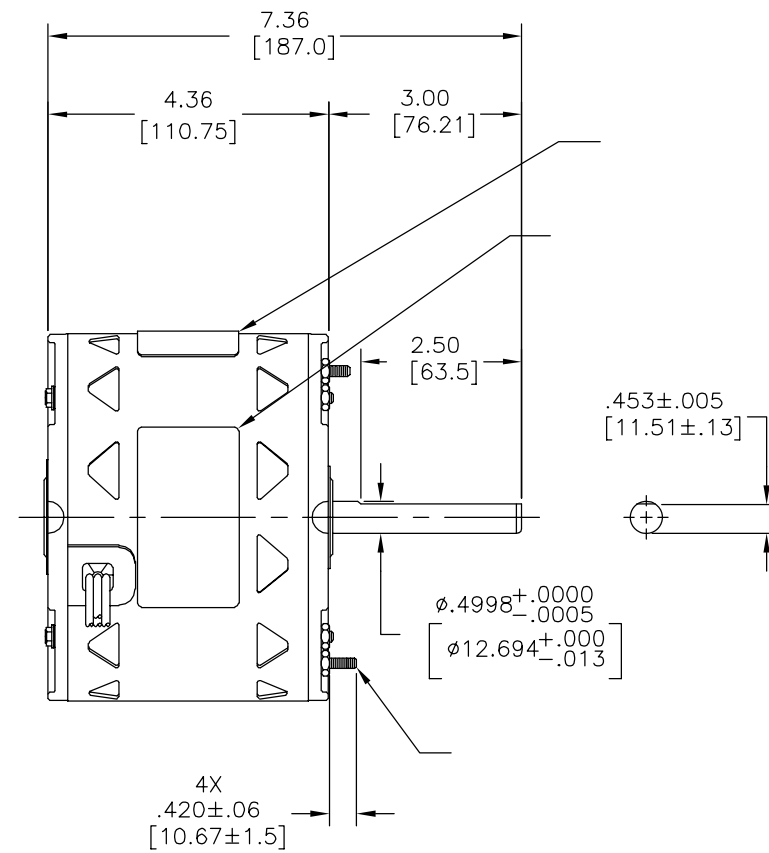
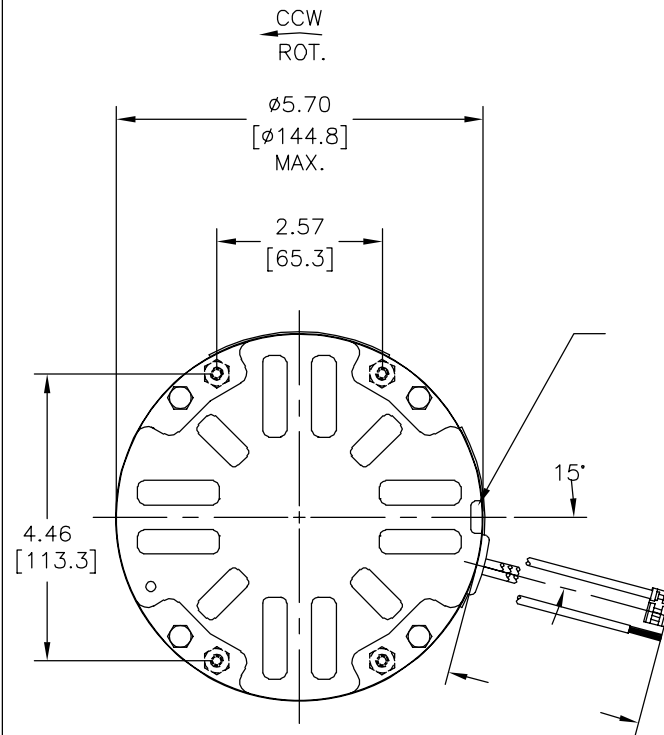
3

2

1

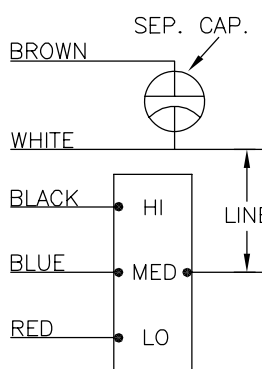
版本	ECO	编制	日期	批准	日期
C	0032545	E.SINECIO	04-18-2013	D.MUÑOZ	04-18-2013

.010[.25] TO .063[1.60]



MODEL: F48V77A01  
 CUST. P/N: [ ]  
 HP: 1/4  
 ROT: CCWLE  
 RPM: 1075/3 SPD  
 TYPE: UF  
 FRAME: 48Y  
 VOLTS: 115  
 PH: 1  
 AMPS: 5.8  
 HZ: 60  
 INS: B  
 AMB: 40 °C  
 DUTY: AIR OVER  
 CODE: -  
 CAP.: 10 MFD/370 V  
 ENCL: OPEN  
 UL LOGO  
 CSA LOGO  
 THERMALLY PROTECTED

CONNECTION DIAGRAM



614131-015

	26[660]/28[711]	.25[6.4]
	26[660]/28[711]	.25[6.4]
	26[660]/28[711]	.60[15.2]
	26[660]/28[711]	.60[15.2]
	26[660]/28[711]	.60[15.2]

PREFORMANCE CURVE NO.	TORQUE @ 1075 RPM (25°C)	APPROVED SAMPLE	UL COMPONENT FILE#	CSA FILE#
C32403	37.1 OZ. FT.	0442613A	E46412	LR43341

- 形位公差
- 平面度
- 直线度
- ∠ 倾斜度
- ⊥ 垂直度
- // 平行度
- 圆度
- ⊘ 圆柱度
- ⊙ 圆轮廓度
- △ 面轮廓度
- ∩ 线轮廓度
- ↗ 圆跳动
- ⊕ 位置度
- ⊙ 同轴度
- ≡ 对称度

ASME Y14.5M 1994

REGAL-BELOIT CORPORATION (RBC) 在个别领域为客户 提供技术支持。鉴于RBC 未收到任何涉及电机使用和 应用环境的数据，电机的适用性 由客户自己决定。

未注公差尺寸仅供参考。

绘图: BLANKENSHIP 11-02-2004  
 批准: SHANKS 11-03-2011  
 第三角投影  
 机密: 本图纸及相关信息所有权归REGAL-BELOIT CORPORATION 未经REGAL-BELOIT CORPORATION书面授权，不得泄露、 复制或作其他用途。—版权所有



名称: MODEL-RFHP-48FR OUTLINE  
 图幅: C 图号: 12622-001  
 比例: NONE 页号: 1

4

3

2

1

4

3

2

1

REV	ECO	REV BY	DATE	APPD	DATE
C	0032545	E.SINECIO	04-18-2013	D.MUÑOZ	04-18-2013

GENERAL INFORMATION:

SHAFT RUNOUT: .001[.03] T.I.R. PER INCH LENGTH OF EXTENSION.

END PLAY: .010[.25] TO .063[1.60]

BEARINGS: SLEEVE

MOUNTING POSITION: HORIZONTAL

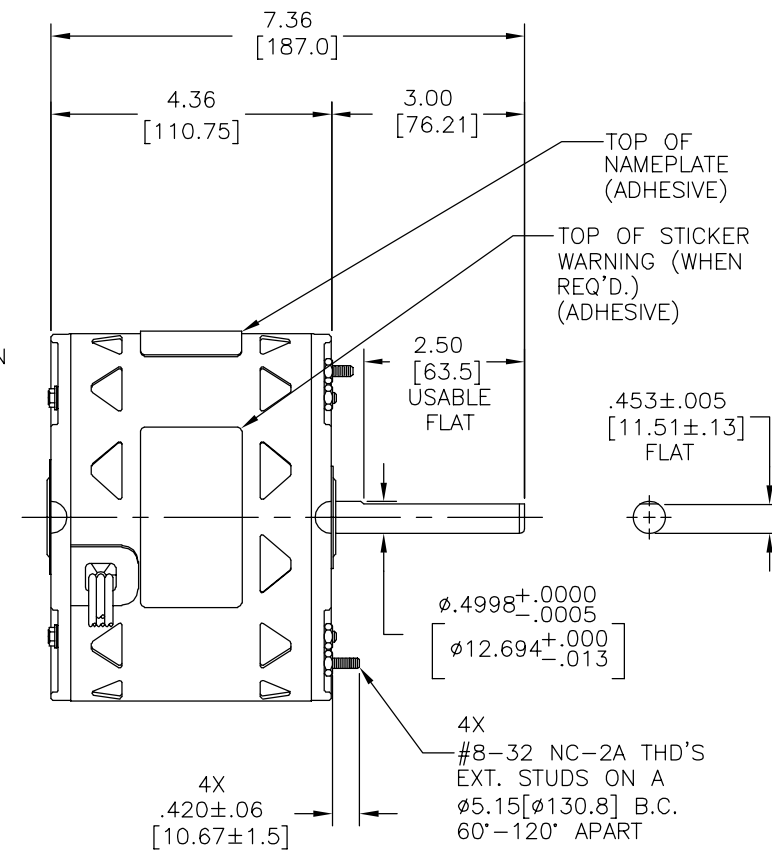
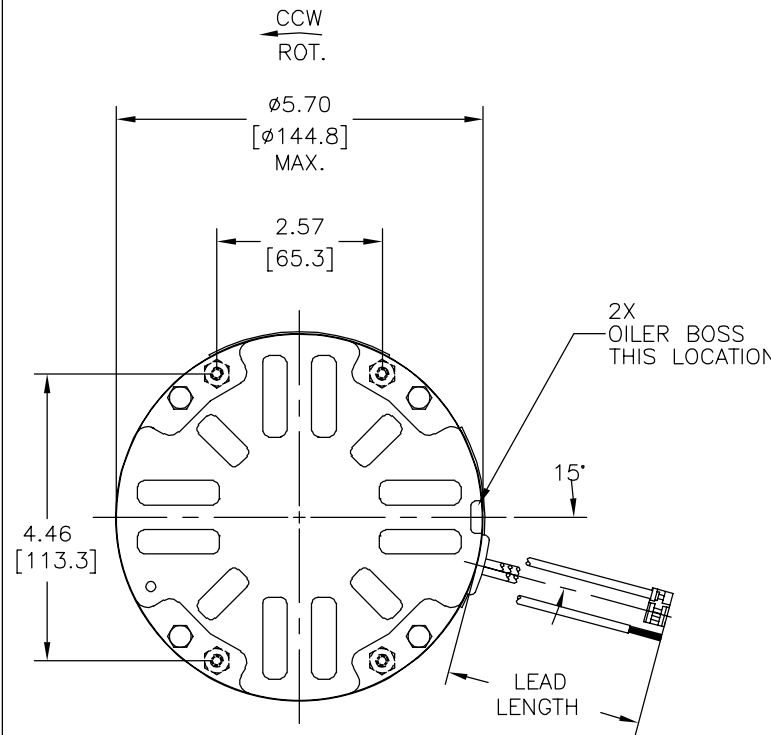
ELECTRICAL DATA:

OVERLOAD PROTECTOR: AUTOMATIC RESET (SENSATA 7AM 036)

LEADS: NO. 18 GA., .06[1.5] THK., EPDM 105°C INSUL.

NOTE:

- DISTRIBUTION PART NUMBER: ORM1026L  
GRAINGER PART NUMBER: 4VA15



NAMEPLATE DATA: SEE NOTE 1

EXTERNAL CONNECTION DIAGRAM

MODEL: F48V77A01  
CUST. P/N: [ ]  
HP: 1/4  
ROT: CCWLE  
RPM: 1075/3 SPD  
TYPE: UF  
FRAME: 48Y  
VOLTS: 115  
PH: 1  
AMPS: 5.8  
HZ: 60  
INS: B  
AMB: 40 °C  
DUTY: AIR OVER  
CODE: -  
CAP.: 10 MFD/370 V  
ENCL: OPEN  
UL LOGO  
CSA LOGO  
THERMALLY PROTECTED

CONNECTION DIAGRAM

BROWN SEP. CAP.  
WHITE  
BLACK HI  
BLUE MED  
RED LO

614131-015

BROWN	26[660]/28[711]	.25[6.4] FLAG
WHITE	26[660]/28[711]	.25[6.4] FLAG
BLACK	26[660]/28[711]	.60[15.2] STRIP
BLUE	26[660]/28[711]	.60[15.2] STRIP
RED	26[660]/28[711]	.60[15.2] STRIP

MAIN FRAME-OLE	OPEN
END FRAME-OLE	OPEN
MAIN FRAME-LE	OPEN
END FRAME-LE	OPEN

COLOR	LENGTH	TERMINAL OR STRIP LENGTH
LEAD DATA		

ENCLOSURE	
-----------	--

CUST.	DISTRIBUTION SERVICES
-------	-----------------------

PREFORMANCE CURVE NO.	TORQUE @ 1075 RPM (25°C)	APPROVED SAMPLE
C32403	37.1 OZ. FT.	0442613A

UL COMPONENT		CSA	
FILE#	GUIDE#	FILE#	GUIDE#
E46412	PRGY2	LR43341	260-0-0

GEOMETRIC CHARACTERISTICS & SYMBOLS

- FLATNESS
- STRAIGHTNESS
- ANGULARITY
- PERPENDICULARITY (SQUARENESS)
- PARALLELISM
- ROUNDNESS (CIRCULARITY)
- CYLINDRICITY
- PROFILE OF ANY SURFACE
- PROFILE OF ANY LINE
- RUNOUT
- TRUE POSITION
- CONCENTRICITY
- SYMMETRY

ASME Y14.5M 1994

REGAL-BELOIT CORPORATION (RBC) PROVIDES TECHNICAL ASSISTANCE TO OUR CUSTOMERS IN SEVERAL AREAS. SINCE RBC DOES NOT RECEIVE ALL DATA CONCERNING THE USE AND APPLICATION OF THE MOTOR, THE SUITABILITY OF THE MOTOR FOR THE APPLICATION MUST BE DETERMINED BY THE CUSTOMER.

DIMENSIONS WITHOUT TOLERANCES ARE FOR REFERENCE ONLY.

DR BY: BLANKENSHIP 11-02-2004

APPD: SHANKS 11-03-2011

THIRD ANGLE PROJECTION

EDS DATE 11-11-2011  
FORMAT REV H

CONFIDENTIAL: THIS DRAWING AND ITS INFORMATION ARE THE EXCLUSIVE AND CONFIDENTIAL PROPERTY OF REGAL-BELOIT CORPORATION AND ARE NOT TO BE DISCLOSED, DUPLICATED, DISTRIBUTED OR OTHERWISE USED WITHOUT THE WRITTEN CONSENT OF REGAL-BELOIT CORPORATION. -ALL RIGHTS RESERVED.

**REGAL REGAL-BELOIT CORPORATION**

DESCRIPTION: MODEL-RFHP-48FR OUTLINE

SIZE: C DWG NO: 12622-001

SCALE: NONE SHEET: 1

4

3

2

1

4

3

2

1

REVISION:	ECO	REVISADO POR:	FECHA:	APROBADO POR:	FECHA:
C	0032545	E.SINECIO	04-18-2013	D.MUÑOZ	04-18-2013

INFORMACION GENERAL:

OSCILACION DE FELCHA: .001[.03] L.T.I. LONGITUD DE EXTENSION POR PULGADA.

JUEGO AXIAL: .010[.25] TO .063[1.60]

BALERO: MANGA

POSITION DE MONTAJE: HORIZONTAL

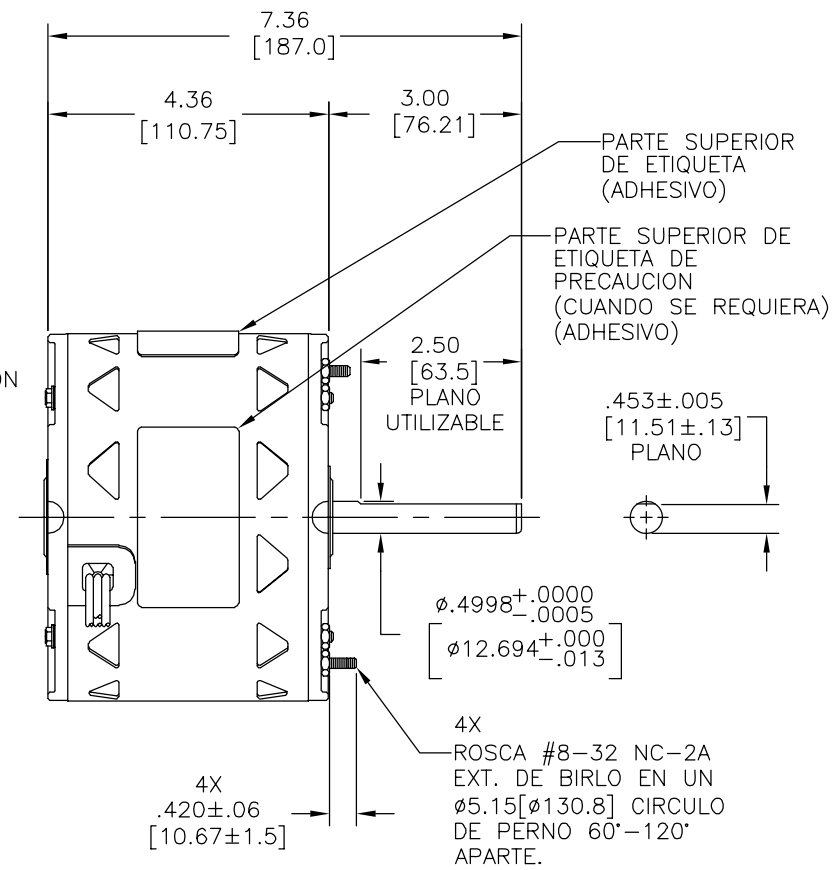
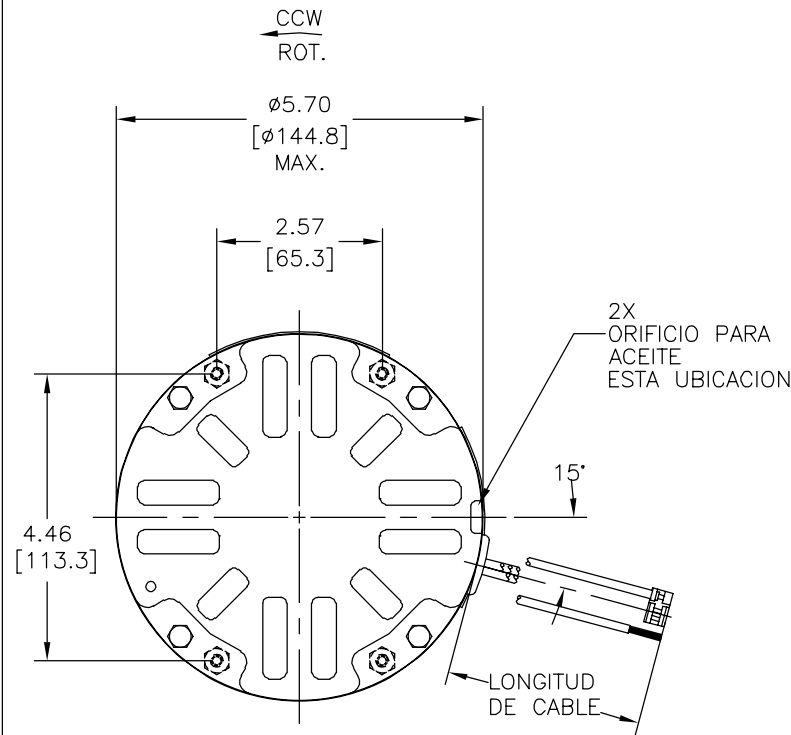
DATOS ELECTRICOS:

PROTECCION DE SOBRECARGA: REINICIO AUTOMATICO (SENSATA 7AM 036)

CABLES: NO. CALIBRE 18, .06[1.5] ESPESOR, EPDM 105°C AISLADOR

NOTA:

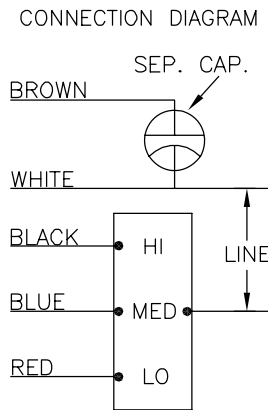
- NUMERO DE PARTE DE DISTRIBUCION: ORM1026L  
NUMERO DE PARTE GRAINGER: 4VA15



DATOS ETIQUETA:

DIAGRAMA DE CONEXION EXTERNO

MODEL: F48V77A01  
CUST. P/N: [ ]  
HP: 1/4  
ROT: CCWLE  
RPM: 1075/3 SPD  
TYPE: UF  
FRAME: 48Y  
VOLTS: 115  
PH: 1  
AMPS: 5.8  
HZ: 60  
INS: B  
AMB: 40 °C  
DUTY: AIR OVER  
CODE: -  
CAP.: 10 MFD/370 V  
ENCL: OPEN  
UL LOGO  
CSA LOGO  
THERMALLY PROTECTED



614131-015

CAFE	26[660]/28[711]	.25[6.4]	BANDERA
BLANCO	26[660]/28[711]	.25[6.4]	BANDERA
NEGRO	26[660]/28[711]	.60[15.2]	DESFORRE
AZUL	26[660]/28[711]	.60[15.2]	DESFORRE
ROJO	26[660]/28[711]	.60[15.2]	DESFORRE

COLOR	LONGITUD	LONGITUD DE TERMINAL O DESFORRE
-------	----------	---------------------------------

CARCAZA-OLE	ABIERTO
TAPA-OLE	ABIERTO
CARCAZA-LE	ABIERTO
TAPA-LE	ABIERTO

DATOS CABLE			
FILE#	GUIDE#	FILE#	GUIDE#
E46412	PRGY2	LR43341	260-φ-0

TIPO DE MOTOR	CLIENTE	DISTRIBUTION SERVICES
---------------	---------	-----------------------

CARACTERISTICAS DE GEOMETRIA Y SIMBOLOS  
 □ PLANICIDAD  
 - RECTITUD  
 < ANGULARIDAD  
 ⊥ PERPENDICULARIDAD (A ESCUADRA)  
 // PARALELISMO  
 ○ REDONDEZ (CIRCULARIDAD)  
 ∅ CILINDRICIDAD  
 △ PERFIL DE CUALQUIER SUPERFICIE  
 ∩ PERFIL DE CUALQUIER LINEA  
 ∠ VARIACION  
 ⊕ POSICION REAL  
 ⊙ CONCENTRICIDAD  
 = SIMETRIA  
 ASME Y14.5M 1994

REGAL-BELOIT CORPORATION (RBC) PROVEE ASISTENCIA TECNICA A NUESTROS CLIENTES EN VARIAS AREAS. DESDE QUE RBC NO RECIBE TODOS LOS DATOS EN RELACION AL USO Y A LA APLICACION DEL MOTOR, LA APLICACION ADECUADA DEL MOTOR DEBE SER DETERMINADA POR EL CLIENTE.  
 DIMENSIONES SIN TOLERANCIA SON DE REFERENCIA SOLAMENTE

DIBUJADO POR: BLANKENSHIP 11-02-2004  
 APROBADO POR: SHANKS 11-03-2011  
 TERCER ANGULO DE PROYECCION  
 CONFIDENCIAL: ESTE DIBUJO Y SU INFORMACION SON PROPIEDAD DE USO EXCLUSIVO Y CONFIDENCIAL DE REGAL-BELOIT CORPORATION. Y NO DEBERAN SER REVELADOS, DUPLICADOS, DISTRIBUIDOS O USARSE DE OTRA MANERA SIN EL CONSENTIMIENTO ESCRITO DE REGAL-BELOIT CORPORATION. -TODOS LOS DERECHOS RESERVADOS.

**REGAL REGAL-BELOIT CORPORATION**

DESCRIPCION: MODEL-RFHP-48FR OUTLINE

TAMAÑO: C NUMERO DE DIBUJO: 12622-001

ESCALA: NONE HOJA: 1

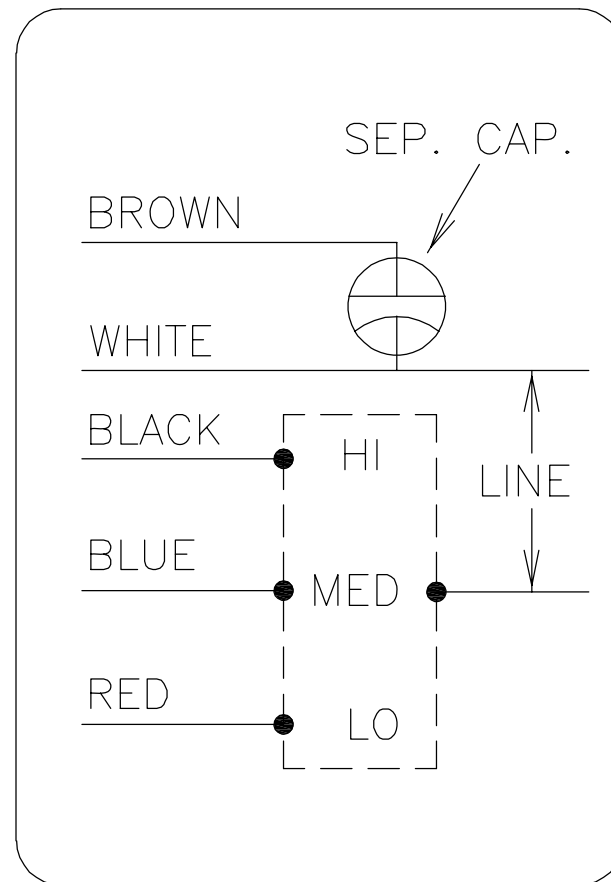
4

3

2

1

REV	ECO	REV BY	DATE	APPD	DATE
A	0019783	A.DE LUNA	06-22-2011	S.JIMENEZ	06-22-2011



**GEOMETRIC CHARACTERISTICS & SYMBOLS**

- ▭ FLATNESS
- STRAIGHTNESS
- ∠ ANGULARITY
- ⊥ PERPENDICULARITY (SQUARENESS)
- // PARALLELISM
- ROUNDNESS (CIRCULARITY)
- ⊘ CYLINDRICITY
- ⌒ PROFILE OF ANY SURFACE
- ⌒ PROFILE OF ANY LINE
- ↑ RUNOUT
- ⊕ TRUE POSITION
- ◎ CONCENTRICITY
- ≡ SYMMETRY

UNLESS OTHERWISE SPECIFIED  
DIM. TOLERANCES ARE AS FOLLOWS:

	X	XX	XXX	XXXX
INCH	±.1	±.02	±.005	±.0005
mm	±0.5	±0.13	±0.013	

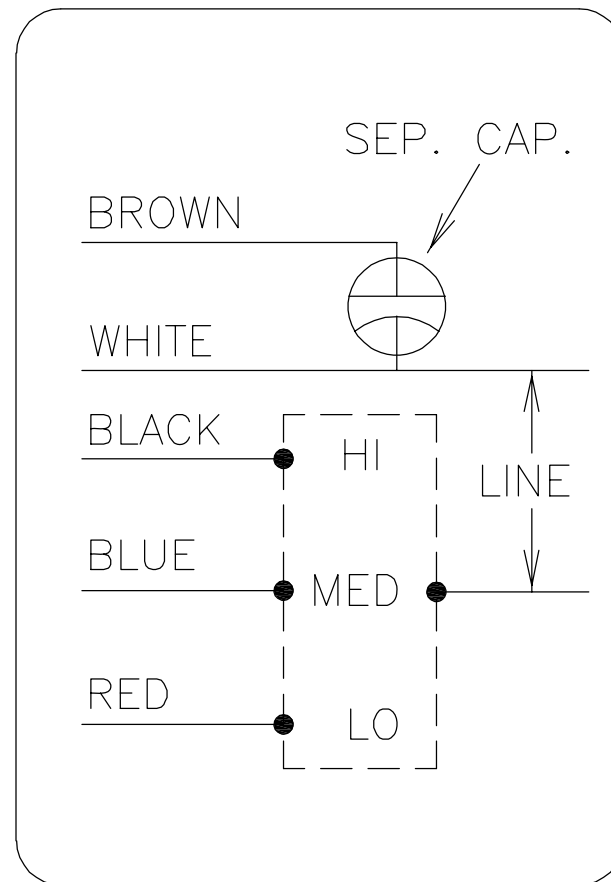
ANG. ±.50 DEG  
REMOVE BURRS & BREAK SHARP EDGES:  
INCH .003-.015 mm 0.1-0.4  
CORNER FILLETS TO:  
INCH .020 mm 0.5  
MACHINE SURFACES:  
INCH 125 mm 3.2

METRIC DIMS. SHOWN IN [BRACKETS]

DR BY:	A.DE LUNA	06-22-2011
APPD:	S.JIMENEZ	06-22-2011
THIRD ANGLE PROJECTION		EDS DATE 02-22-2008 FORMAT REV F
CONFIDENTIAL: THIS DRAWING AND ITS INFORMATION ARE THE EXCLUSIVE AND CONFIDENTIAL PROPERTY OF A.O. SMITH CORP. AND ARE NOT TO BE DISCLOSED, DUPLICATED, DISTRIBUTED OR OTHERWISE USED WITHOUT THE WRITTEN CONSENT OF A.O. SMITH CORP. -ALL RIGHTS RESERVED. ASME Y14.5M 1994		

		<b>ELECTRICAL PRODUCTS COMPANY</b> <small>A DIVISION OF A. O. SMITH CORPORATION</small>
DESCRIPTION		
CONN DIAGRAM-NAMEPLATE		
SIZE	DWG NO	
A	614131-015	
SCALE		SHEET
NONE		1

REVISION:	ECO	REVISADO POR:	FECHA:	APROBADO POR:	FECHA:
A	0019783	A.DE LUNA	06-22-2011	S.JIMENEZ	06-22-2011



**CARACTERISTICAS DE GEOMETRIA Y SIMBOLOS**

- ▭ PLANICIDAD
- RECTITUD
- ∠ ANGULARIDAD
- ⊥ PERPENDICULARIDAD (A ESCUADRA)
- // PARALELISMO
- REDONDEZ (CIRCULARIDAD)
- ⊘ CILINDRICIDAD
- ⌒ PERFIL DE CUALQUIER SUPERFICIE
- ⌒ PERFIL DE CUALQUIER LINEA
- ↑ VARIACION
- ⊕ POSICION REAL
- ◎ CONCENTRICIDAD
- ≡ SIMETRIA

A MENOS QUE SE ESPECIFIQUE DE OTRA MANERA, LAS TOLERANCIAS DE LAS DIMS; SON LAS SIGUIENTES:

X	XX	XXX	XXXX
PULG ±.1 ±.02 ±.005 ±.0005			
mm ±0.5 ±0.13 ±0.013			

ANG. ±.50 GRADOS  
 ELIMINAR REBABAS Y ORILLAS FILOSAS DEL BORDE.

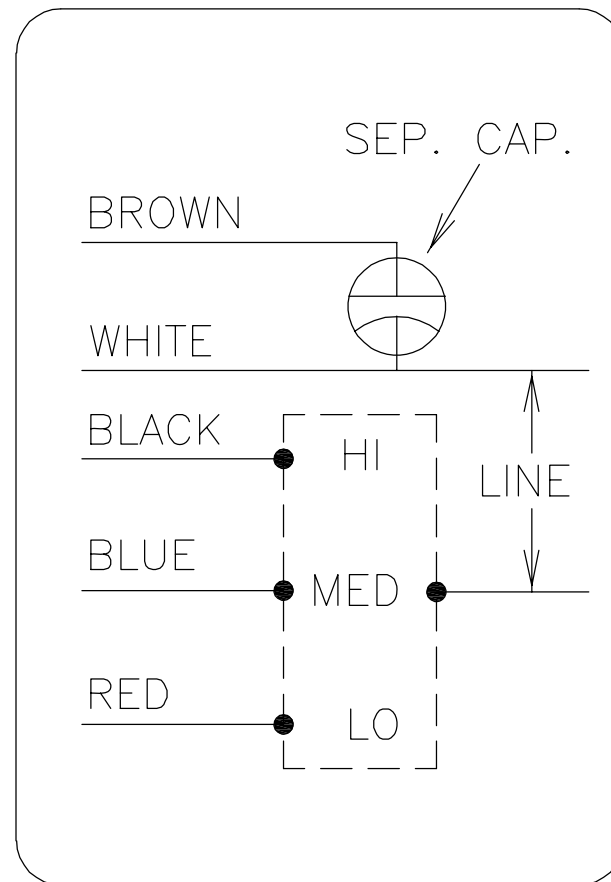
PULG .003-.015 mm 0.1-0.4  
 FILETEAR ESQUINA: PULG .020 mm 0.5  
 MAQUINAR SUPERFICIES  
 PULG 125 mm 3.2

DIMS METRICAS MOSTRADAS [PARENTESIS]

DIBUJADO POR: A.DE LUNA	06-22-2011
APROBADO POR: S.JIMENEZ	06-22-2011
TERCER ANGULO DE PROYECCION	
FECHA EDS: 02-22-2008	REV. FORMATO: F
CONFIDENCIAL: ESTE DIBUJO Y SU INFORMACION SON PROPIEDAD DE USO EXCLUSIVO Y CONFIDENCIAL DE A.O.SMITH CORP. Y NO DEBERAN SER REVELADOS, DUPLICADOS, DISTRIBUIDOS O USARSE DE OTRA MANERA SIN EL CONSENTIMIENTO ESCRITO DE A.O. SMITH CORP. -TODOS LOS DERECHOS RESERVADOS.ASME Y14.5M 1994	

	<b>ELECTRICAL PRODUCTS COMPANY</b> <small>A DIVISION OF A. O. SMITH CORPORATION</small>
DESCRIPCION: <b>CONN DIAGRAM-NAMEPLATE</b>	
TAMAÑO: A	NUMERO DE DIBUJO: 614131-015
ESCALA:NONE	HOJA: 1

版本	ECO	编制	日期	批准	日期
A	0019783	A.DE LUNA	06-22-2011	S.JIMENEZ	06-22-2011



- 形位公差
- 平面度
- 直线度
- ∠ 倾斜度
- ⊥ 垂直度
- // 平行度
- 圆度
- ⊘ 圆柱度
- △ 面轮廓度
- ∩ 线轮廓度
- ↗ 圆跳动
- ⊕ 位置度
- ◎ 同轴度
- ≡ 对称度

除另有注明  
尺寸公差如下:

	X	XX	XXX	XXXX
英寸	±.1	±.02	±.005	±.0005
毫米	±0.5	±0.13	±0.013	

角度 ±.50 度  
清理毛刺和尖棱  
英寸 .003-.015    毫米 0.1-0.4  
内圆角  
英寸 .020    毫米 0.5  
表面粗糙度  
英制 125    米制 3.2

米制尺寸显示在 [ ]

绘图:	A.DE LUNA	06-22-2011
批准:	S.JIMENEZ	06-22-2011
第三角投影		图纸格式发布日期 02-22-2008 图纸格式版本 F
机密: 本图纸及相关信息所有权归A. O. SMITH公司所有。 未经A. O. SMITH公司书面授权, 不得泄露、复制、传播或作 其他用途。—版权所有		
ASME Y14.5M 1994		

		<b>ELECTRICAL PRODUCTS COMPANY</b> <small>A DIVISION OF A. O. SMITH CORPORATION</small>
名称 CONN DIAGRAM-NAMEPLATE		
图幅	A	图号 614131-015
比例	NONE	页号 1