

PRODUCT INFORMATION PACKET



Model No: ORM1076

Catalog No: ORM1076

OEM Replacement Motor, 3/4 HP, 1 Ph, 60 Hz, 115 V, 1075 RPM, 4 Speed, 48 Frame, OPEN



Regal and Century are trademarks of Regal Rexnord Corporation or one of its affiliated companies.

©2022 Regal Rexnord Corporation, All Rights Reserved. MC017097E





Nameplate Specifications

Output HP	3/4 Hp	Output KW	0.56 kW
Frequency	60 Hz	Voltage	115 V
Current	10.5 A	Speed	1075 rpm
Service Factor	1	Phase	1
Duty	Air Over	Insulation Class	B
Frame	48Y	Enclosure	Open Enclosed
Thermal Protection	Automatic	Ambient Temperature	40 °C
UL	Recognized	CSA	Y
CE	N	Number of Speeds	4

Technical Specifications

Electrical Type	Permanent Split Capacitor	Starting Method	Across The Line
Poles	6	Rotation	Reversible
Mounting	Round Belly Band	Motor Orientation	Horizontal
Drive End Bearing	Ball	Opp Drive End Bearing	Ball
Frame Material	Rolled Steel	Shaft Type	Flat
Overall Length	10.61 in	Frame Length	5.13 in
Shaft Diameter	0.500 in	Shaft Extension	5 in
Connection Drawing	614131-236	Outline Drawing	ORM1076-S01

This is an uncontrolled document once printed or downloaded and is subject to change without notice. Date Created:11/29/2022

GENERAL INFORMATION:

SHAFT RUNOUT: .001[.03] T.I.R. PER INCH LENGTH OF EXTENSION.

BEARINGS: BALL

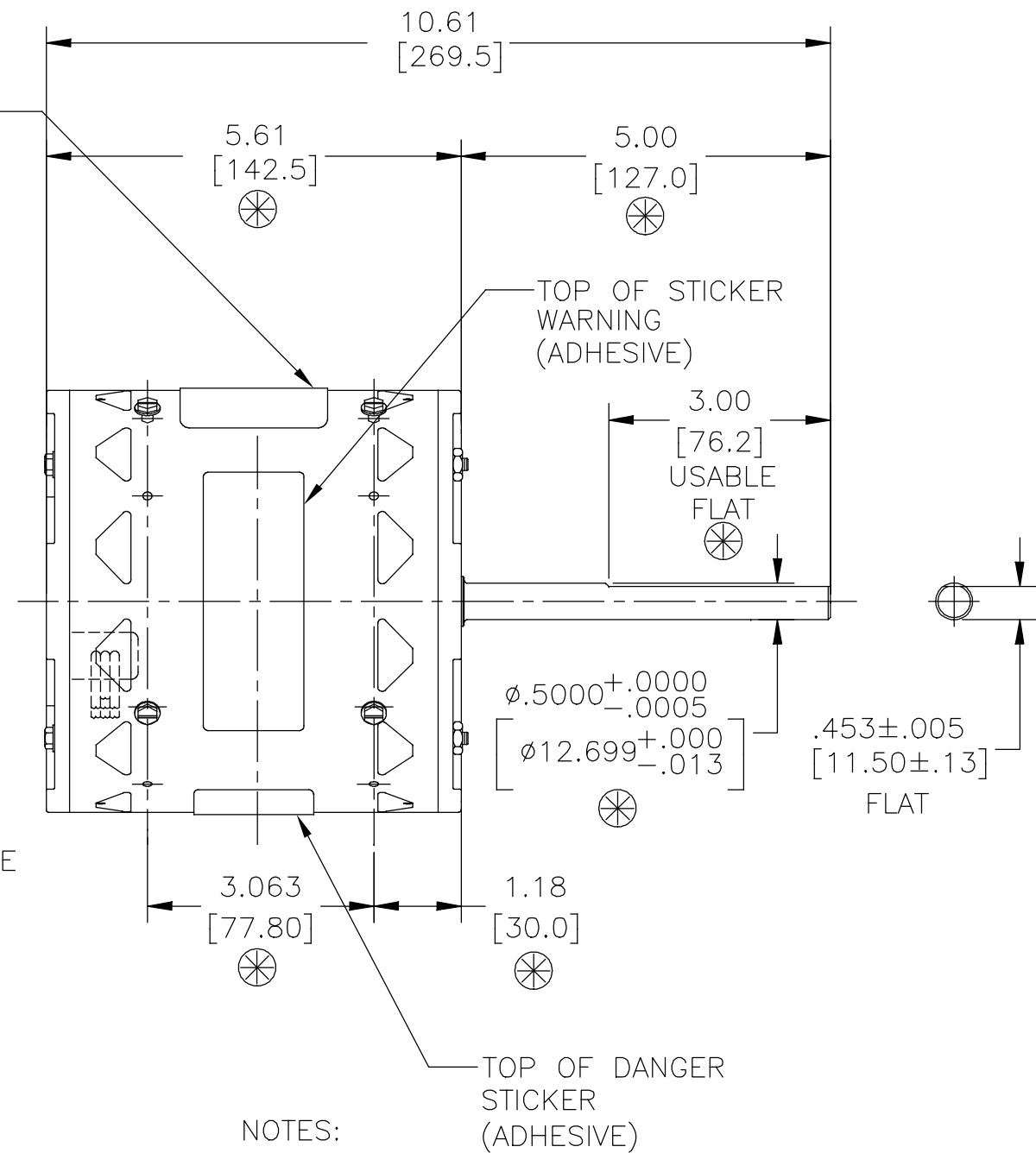
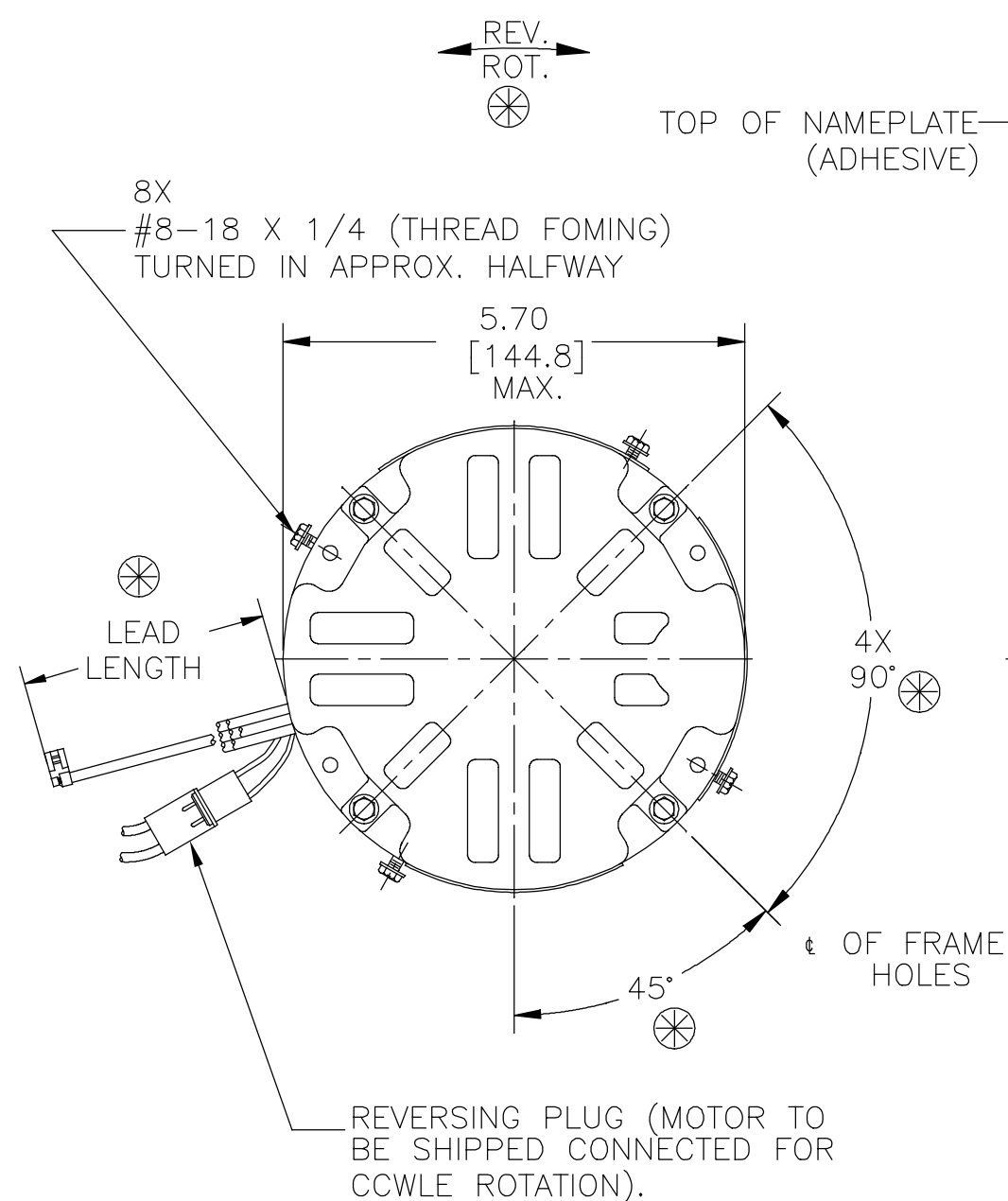
MOUNTING POSITION: HORIZONTAL

ELECTRICAL DATA:

OVERLOAD PROTECTOR: AUTOMATIC RESET (T.I. 7AM 036)

LEADS: NO. 16 GA., .06[1.5] THICKNESS PVC 105°C INSULATION.

REVERSING LEADS: NO. 18 GA., .03[.8] THICKNESS XLP 125°C INSULATION.



- NOTES:
- ⊗ DENOTES CRITICAL CHARACTERISTICS
 - DISTRIBUTION PART NUMBER: ORM1076
GRAINGER PART NUMBER: 4VA34

REGAL-BELOIT CORPORATION (RBC) PROVIDES TECHNICAL ASSISTANCE TO OUR CUSTOMERS IN SEVERAL AREAS. SINCE RBC DOES NOT RECEIVE ALL DATA CONCERNING THE USE AND APPLICATION OF THE MOTOR, THE SUITABILITY OF THE MOTOR FOR THE APPLICATION MUST BE DETERMINED BY THE CUSTOMER.

DIMENSIONS WITHOUT TOLERANCES ARE FOR REFERENCE ONLY.

MAIN FRAME - OLE	OPEN
END FRAME - OLE	OPEN
MAIN FRAME - LE	OPEN
END FRAME - LE	OPEN

CUSTOMER	DISTRIBUTION SERVICE
----------	----------------------

NAMEPLATE DATA: ⊗	EXTERNAL CONNECTION DIAGRAM
MODEL NO.: F48G18A01 CUST. P/N: [] HP: 3/4 ROT.: REVERSIBLE RPM: 1075/4 SPD TYPE: UF FRAME: 48Y VOLTS: 115 PH: 1 AMPS: 10.5 HZ: 60 INS.: B AMB: 40° C DUTY: AIR OVER CAP.: 15 MFD/370 V ENCL: OPEN UL LOGO CSA LOGO THERMALLY PROTECTED	SEE NOTE 2 BROWN SEP. CAP. BROWN WHITE BLACK HI BLUE M-HI YELLOW M-LO RED LO ROTATION BLACK BLACK WHITE WHITE BLACK CCWLE WHITE WHITE CWLE BLACK

COLOR	LENGTH	TERMINAL OR STRIP LENGTH
BLACK/WHITE	3.0/5.0 [76/127]	REVERSING PLUG
BROWN	28.0/30.0 [711/762]	.25[6.4] FLAG
BROWN	28.0/30.0 [711/762]	.25[6.4] FLAG
RED	35.0/38.0 [889/965]	.25[6.4] FLAG
YELLOW	35.0/38.0 [889/965]	.25[6.4] FLAG
BLUE	35.0/38.0 [889/965]	.25[6.4] FLAG
BLACK	35.0/38.0 [889/965]	.25[6.4] FLAG
WHITE	35.0/38.0 [889/965]	.25[6.4] FLAG

PERFORMANCE CURVE NO.	TORQUE @ 1075 RPM (25°C)	APPROVED SAMPLE	UL COMPONENT FILE #	CCN #	CSA FILE #	CLASS #
C31280	75.6 OZ. FT.	95AC247A	E46412	PRGY2	LR43341	4211-01

DRAWING REVISION D	REVISION BY JERRY CHAI	DATE 10-07-2018
ECO	APPROVED BY Tricia.Niederholtmeyer	DATE 10-07-2018
ECO-0153631		
ECO DESCRIPTION SEE ECO		

COPYRIGHT REGAL-BELOIT AMERICA, INC. ALL RIGHTS RESERVED. PROPRIETARY AND CONFIDENTIAL INFORMATION - THIS DOCUMENT IS THE PROPERTY OF REGAL-BELOIT AMERICA, INC. (OWNER) AND CONTAINS OWNER'S PROPRIETARY INFORMATION. ANY PERSON, CORPORATION OR OTHER FIRM RECEIVING IT IS DEEMED, BY RECEIVING IT, TO AGREE THAT IT, AND/OR ANY PART OF IT, SHALL NOT BE DISCLOSED TO ANY PERSON, CORPORATION OR OTHER ENTITY, DUPLICATED, AND/OR USED, EXCEPT AS EXPRESSLY APPROVED IN WRITING IN ADVANCE BY OWNER. THIS DOCUMENT SHALL BE RETURNED TO OWNER UPON REQUEST. IT MAY BE SUBJECT TO CERTAIN RESTRICTIONS UNDER APPLICABLE EXPORT CONTROL LAWS AND REGULATIONS.

ENCLOSURE

DRAWN BY: JEFF RUPERT
DATE: 09-21-2007
APPROVED BY: CBRANHAM
DATE: 09-21-2007
REFERENCE

REGAL™ Regal Beloit America, Inc.

DESCRIPTION: MODEL-RFHP-48FR OUTLINE

MATERIAL: - PROCESS/FINISH: -

THIRD ANGLE PROJECTION

SIZE DWG NO: C ORM1076

SHEET 1