

# PRODUCT INFORMATION PACKET



Model No: ORV4537

Catalog No: ORV4537

OEM Replacement Motor, 1/4 HP, 1 Ph, 60 Hz, 115 V, 1625 RPM, 1 Speed, 42 Frame, OPEN



Regal and Century are trademarks of Regal Rexnord Corporation or one of its affiliated companies.  
©2022 Regal Rexnord Corporation, All Rights Reserved. MC017097E





**Nameplate Specifications**

Output HP	1/4 Hp	Output KW	0.19 kW
Frequency	60 Hz	Voltage	115 V
Current	2.8 A	Speed	1625 rpm
Service Factor	1	Phase	1
Duty	Air Over	Insulation Class	A
Frame	42Y	Enclosure	Open Enclosed
Thermal Protection	Automatic	Ambient Temperature	40 °C
UL	Recognized	CSA	Y
CE	N	Number of Speeds	1

**Technical Specifications**

Electrical Type	Permanent Split Capacitor	Starting Method	Across The Line
Poles	6	Rotation	Clockwise Lead End
Mounting	Extended Studs	Motor Orientation	Horizontal
Drive End Bearing	Sleeve	Opp Drive End Bearing	Sleeve
Frame Material	Na	Shaft Type	Flat
Overall Length	14.43 in	Shaft Diameter	0.500 in
Shaft Extension	5.6 X.5 X5.3 in		
Connection Drawing	7554A35F01	Outline Drawing	11857-008

This is an uncontrolled document once printed or downloaded and is subject to change without notice. Date Created:11/28/2022

4 3 2 1

REV	ECO	REV BY	DATE	APPD	DATE
D	0026390	Y.PENG	05-29-2012	B.SHEN	05-29-2012

GENERAL INFORMATION:

SHAFT RUNOUT: .001[.03] T.I.R. PER INCH LENGTH OF EXTENSION.

END PLAY: .010[.25] TO .063[1.60]

BEARINGS: SLEEVE

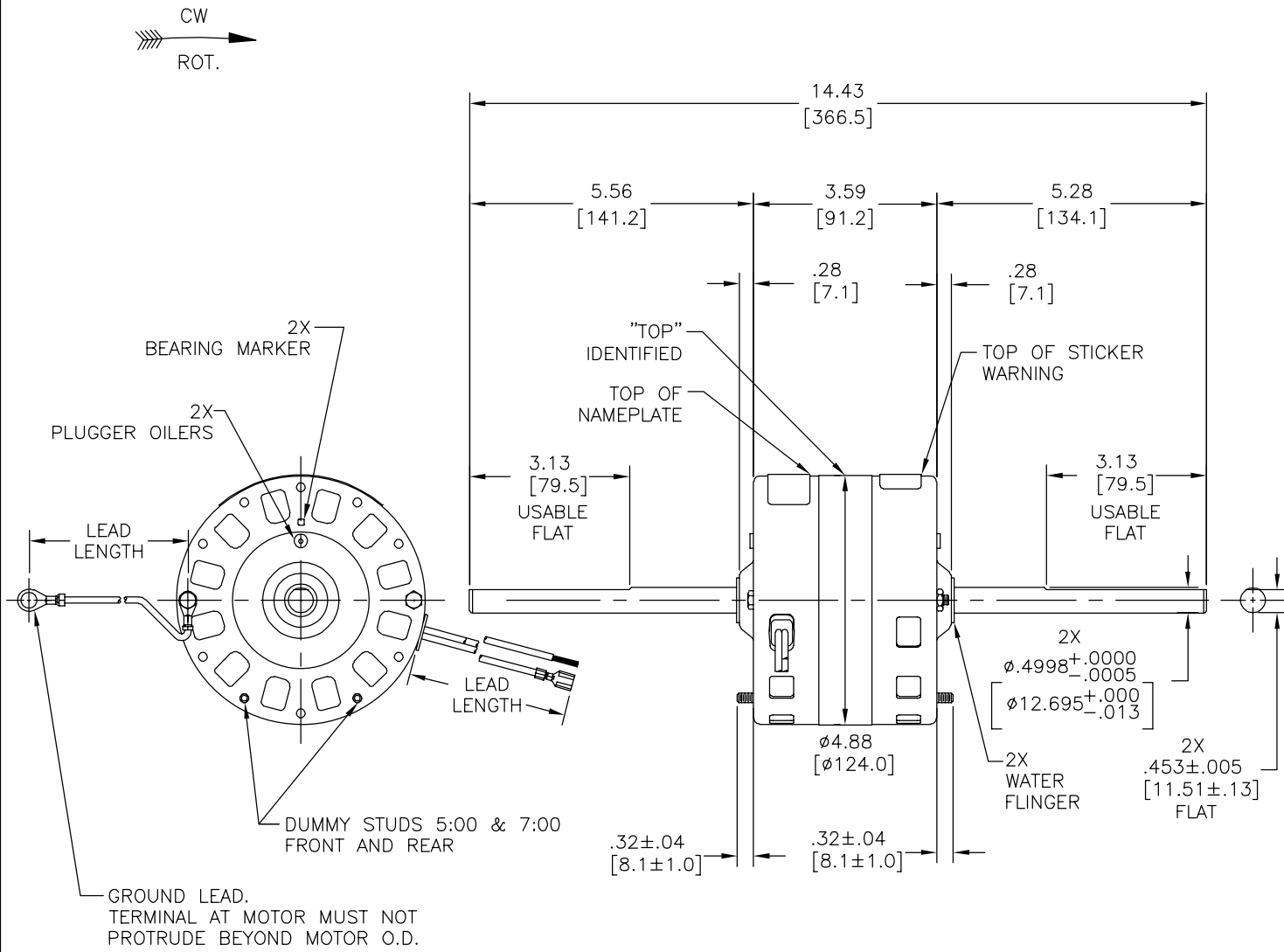
MOUNTING POSITION: HORIZONTAL

ELECTRICAL DATA:

OVERLOAD PROTECTOR: AUTOMATIC RESET (T.I. 7AM 034)

LEADS: NO.18 GA. .06[1.5] THK, 125°C INSUL.

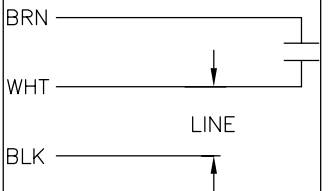
GROUND LEAD: NO.18 GA. .03[.8] THICK, GREEN INSUL.



NAMEPLATE DATA:

EXTERNAL CONNECTION DIAGRAM

MODEL NO.: 322P664  
 CUST. P/N: ORV4537  
 HP: 1/4  
 ROT.: CWLE  
 RPM: 1625  
 TYPE: FLL  
 FRAME: 42Y  
 VOLTS: 115  
 PH: 1  
 AMPS: 2.8  
 HZ: 60  
 INS.: A  
 AMB.: 40° C  
 DUTY: AIR COVER  
 CAP.: 7.5MFD/370 V  
 ENCL: -  
 UL LOGO  
 CSA LOGO  
 THERMALLY PROTECTED TYPE C



GREEN (GRD)	8.0/9.0 [203/229]	.328[8.33] RING
BROWN	23.0/25.0 [584/635]	.25[6.4] FEMALE SPADE
WHITE	23.0/25.0 [584/635]	.25[6.4] FEMALE SPADE
BLACK	23.0/25.0 [584/635]	.60[15.2] SKIN
COLOR	LENGTH	TERMINAL OR STRIP LENGTH

MAIN FRAME - OLE	SEMI-ENC.
END FRAME - OLE	OPEN
MAIN FRAME - LE	SEMI-ENC.
END FRAME - LE	OPEN

CUSTOMER	DISTRIBUTION SERVICE
----------	----------------------

PERFORMANCE CURVE NO.	TORQUE @1625 RPM (50°C)	APPROVED SAMPLE	UL COMPONENT		CSA	
-	14.0 OZ. FT.	PSC7635C	FILE #	CCN #	FILE #	CLASS #
			E46412	PRGY2	LR43341	4211-01

GEOMETRIC CHARACTERISTICS & SYMBOLS  
 ▽ FLATNESS  
 - STRAIGHTNESS  
 ∠ ANGULARITY  
 ⊥ PERPENDICULARITY (SQUARENESS)  
 // PARALLELISM  
 ○ ROUNDNESS (CIRCULARITY)  
 ∅ CYLINDRICITY  
 △ PROFILE OF ANY SURFACE  
 ∩ PROFILE OF ANY LINE  
 ↑ RUNOUT  
 ⊕ TRUE POSITION  
 ⊙ CONCENTRICITY  
 = SYMMETRY  
 ASME Y14.5M 1994

REGAL-BELOIT CORPORATION (RBC) PROVIDES TECHNICAL ASSISTANCE TO OUR CUSTOMERS IN SEVERAL AREAS. SINCE RBC DOES NOT RECEIVE ALL DATA CONCERNING THE USE AND APPLICATION OF THE MOTOR, THE SUITABILITY OF THE MOTOR FOR THE APPLICATION MUST BE DETERMINED BY THE CUSTOMER.  
 DIMENSIONS WITHOUT TOLERANCES ARE FOR REFERENCE ONLY.

DR BY: J.RUPERT 12-11-2003  
 APPD: J.RUPERT 12-12-2003  
 THIRD ANGLE PROJECTION  
 EDS DATE 11-11-2011  
 FORMAT REV H  
 CONFIDENTIAL: THIS DRAWING AND ITS INFORMATION ARE THE EXCLUSIVE AND CONFIDENTIAL PROPERTY OF REGAL-BELOIT CORPORATION AND ARE NOT TO BE DISCLOSED, DUPLICATED, DISTRIBUTED OR OTHERWISE USED WITHOUT THE WRITTEN CONSENT OF REGAL-BELOIT CORPORATION. -ALL RIGHTS RESERVED.

**REGAL REGAL-BELOIT CORPORATION**

DESCRIPTION: MODEL-RFHP-42FR OUTLINE

SIZE C DWG NO 11857-008

SCALE NONE SHEET 1

4 3 2 1

