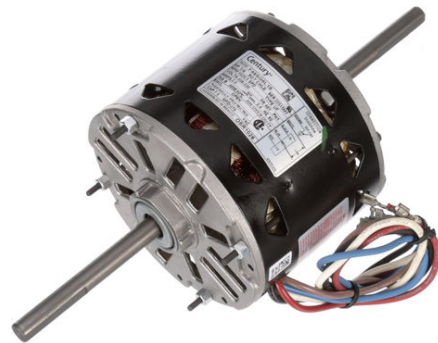


PRODUCT INFORMATION PACKET



Model No: OSR1026
Catalog No: OSR1026
1/4 HP OEM Replacement Motor, 1025 RPM, 3 Speed, 208-230 Volts, 48 Frame, OAO
OEM Replacement Motors



Regal and Century are trademarks of Regal Rexnord Corporation or one of its affiliated companies.
©2021 Regal Rexnord Corporation, All Rights Reserved. MC017097E





Nameplate Specifications

| | | | |
|--------------------|------------|---------------------|---------------|
| Output HP | 1/4 Hp | Output KW | 0.19 kW |
| Frequency | 60 Hz | Voltage | 208-230 V |
| Current | 2.0 A | Speed | 1025 rpm |
| Service Factor | 1 | Phase | 1 |
| Duty | Air Over | Insulation Class | B |
| Frame | 48Y | Enclosure | Open Enclosed |
| Thermal Protection | Automatic | Ambient Temperature | 60 °C |
| UL | Recognized | CSA | Y |
| CE | N | Number of Speeds | 3 |

Technical Specifications

| | | | |
|--------------------|---------------------------|-----------------------|--------------------|
| Electrical Type | Permanent Split Capacitor | Starting Method | Across The Line |
| Poles | 6 | Rotation | Clockwise Lead End |
| Mounting | Extended Studs | Motor Orientation | Horizontal |
| Drive End Bearing | Sleeve | Opp Drive End Bearing | Sleeve |
| Frame Material | Rolled Steel | Shaft Type | Flat |
| Overall Length | 13.00 in | Frame Length | 3.75 in |
| Shaft Diameter | 0.500 in | Shaft Extension | 4.5X.5X4.2 in |
| Connection Drawing | 614131-015 | Outline Drawing | OSR1026-S01 |

This is an uncontrolled document once printed or downloaded and is subject to change without notice. Date Created:10/07/2021

4

3

2

1

| | | | | | |
|-----|---------|--------|------------|--------|------------|
| REV | ECO | REV BY | DATE | APPD | DATE |
| B | 0024331 | A.CHEN | 03-14-2012 | B.SHEN | 03-14-2012 |

GENERAL INFORMATION:

SHAFT RUNOUT: .001[.03] T.I.R. PER INCH LENGTH OF EXTENSION.

END PLAY: .010[.25] TO .063[1.60]

BEARINGS: SLEEVE

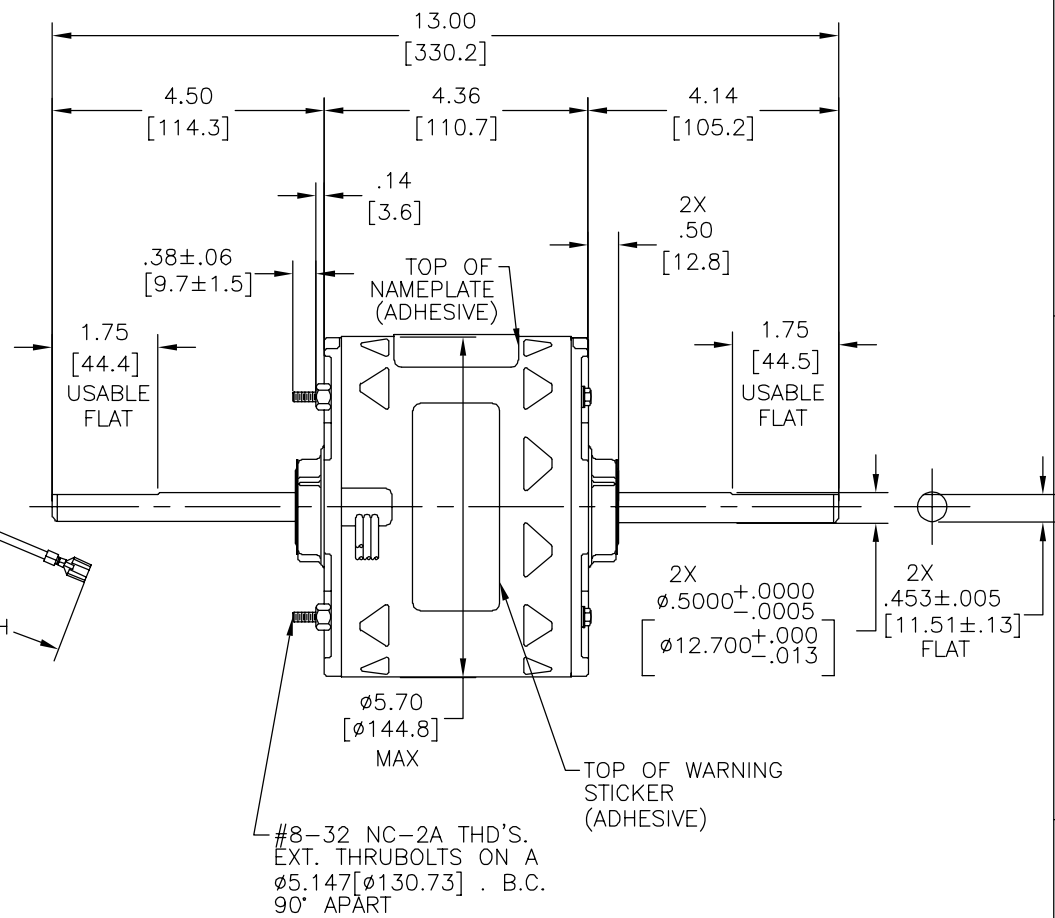
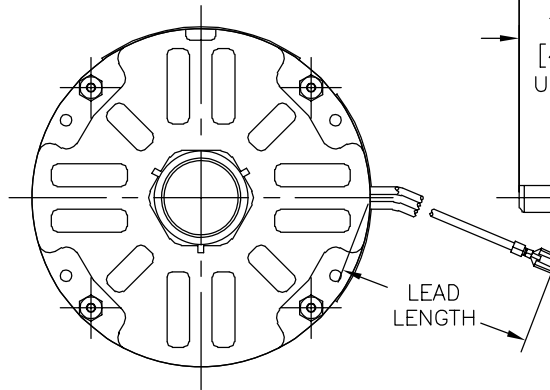
MOUNTING POSITION: HORIZONTAL

ELECTRICAL DATA:

OVERLOAD PROTECTOR: AUTOMATIC RESET (T.I. 7AM 036)

LEADS: NO. 18 GA., .06[1.5]THK., 125°C EPDM INSUL.

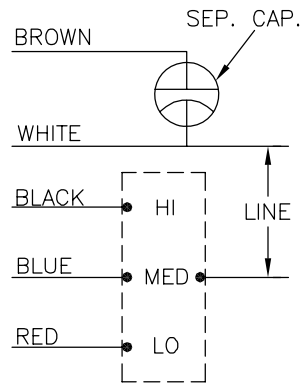
CW
ROT.



NAMEPLATE DATA:

EXTERNAL CONNECTION DIAGRAM

MODEL NO.: F48SG6L 16
 CUST. P/N: OSR1026
 HP: 1/4
 ROT.: CWLE
 RPM: 1025/3 SPD
 TYPE: UF
 FRAME: 48Y
 VOLTS: 208-230
 PH: 1
 AMPS: 2.0 (2.4 MAX.)
 HZ: 60
 INS.: B
 AMB.: 60° C
 DUTY: AIR OVER
 CAP.: 7.5 MFD/370 V
 ENCL: OPEN
 UL LOGO
 CSA LOGO
 THERMALLY PROTECTED



614131-015

| | | |
|-------|------------------------|--------------------------|
| BROWN | 14.0/16.0 [356/406] | .25[6.4] FEMALE SPAD |
| WHITE | 14.0/16.0 [356/406] | .25[6.4] FEMALE SPAD |
| BLACK | 14.0/16.0 [356/406] | .25[6.4] FEMALE SPAD |
| BLUE | 14.0/16.0 [356/406] | .25[6.4] FEMALE SPAD |
| RED | 14.0/16.0 [356/406] | .25[6.4] FEMALE SPAD |
| COLOR | LENGTH | TERMINAL OR STRIP LENGTH |

| | |
|------------------|------|
| MAIN FRAME - OLE | OPEN |
| END FRAME - OLE | OPEN |
| MAIN FRAME - LE | OPEN |
| END FRAME - LE | OPEN |

| | |
|----------|-----------------------|
| CUSTOMER | DISTRIBUTION SERVICES |
|----------|-----------------------|

| | | | | | | |
|-----------------------|--------------------------|-----------------|---------------------|-------|------------|---------|
| PERFORMANCE CURVE NO. | TORQUE @ 1025 RPM (25°C) | APPROVED SAMPLE | UL COMPONENT FILE # | CCN # | CSA FILE # | CLASS # |
| C23725 | 29.0 OZ. FT. | EX11761 | E46412 | PRGY2 | LR43341 | 4211-01 |

GEOMETRIC CHARACTERISTICS & SYMBOLS
 □ FLATNESS
 — STRAIGHTNESS
 ∠ ANGULARITY
 ⊥ PERPENDICULARITY (SQUARENESS)
 ∥ PARALLELISM
 ○ ROUNDNESS (CIRCULARITY)
 ∅ CYLINDRICITY
 △ PROFILE OF ANY SURFACE
 ∩ PROFILE OF ANY LINE
 ↗ RUNOUT
 ⊕ TRUE POSITION
 ⊙ CONCENTRICITY
 = SYMMETRY
 ASME Y14.5M 1994

REGAL-BELOIT CORPORATION (RBC) PROVIDES TECHNICAL ASSISTANCE TO OUR CUSTOMERS IN SEVERAL AREAS. SINCE RBC DOES NOT RECEIVE ALL DATA CONCERNING THE USE AND APPLICATION OF THE MOTOR, THE SUITABILITY OF THE MOTOR FOR THE APPLICATION MUST BE DETERMINED BY THE CUSTOMER.

DIMENSIONS WITHOUT TOLERANCES ARE FOR REFERENCE ONLY.

DR BY: A.CHEN 03-14-2012
 APPD: B.SHEN 03-14-2012
 EDS DATE 11-11-2011
 FORMAT REV G
 THIRD ANGLE PROJECTION
 CONFIDENTIAL: THIS DRAWING AND ITS INFORMATION ARE THE EXCLUSIVE AND CONFIDENTIAL PROPERTY OF REGAL-BELOIT CORPORATION AND ARE NOT TO BE DISCLOSED, DUPLICATED, DISTRIBUTED OR OTHERWISE USED WITHOUT THE WRITTEN CONSENT OF REGAL-BELOIT CORPORATION. -ALL RIGHTS RESERVED.



DESCRIPTION: MODEL-RFHP-48FR OUTLINE
 SIZE: C DWG NO: OSR1026
 SCALE: NONE SHEET: 1

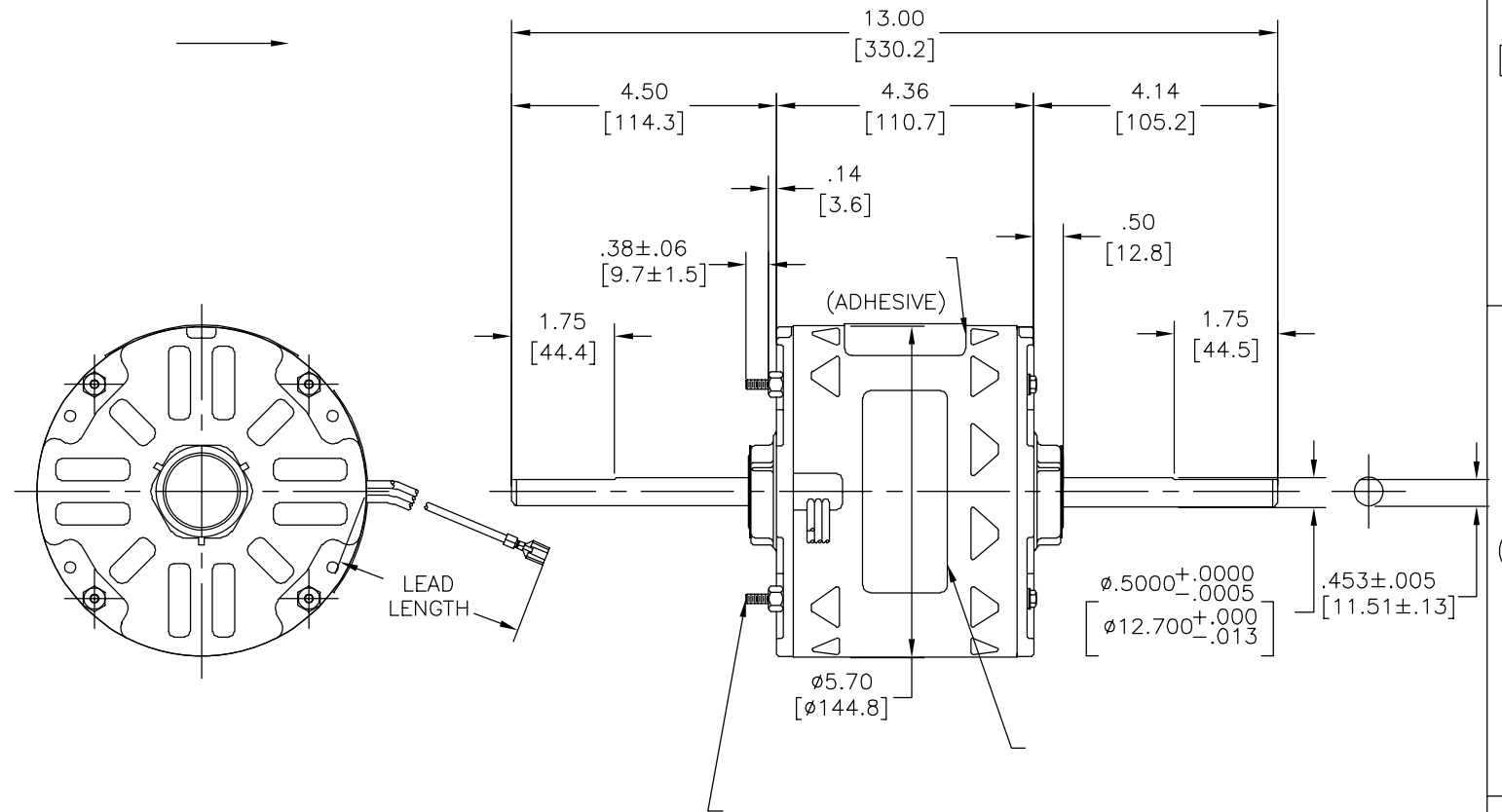
4

3

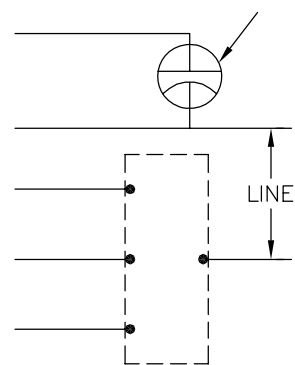
2

1

| | | | | | |
|-----------|---------|---------------|------------|---------------|------------|
| REVISION: | ECO | REVISADO POR: | FECHA: | APROBADO POR: | FECHA: |
| B | 0024331 | A.CHEN | 03-14-2012 | B.SHEN | 03-14-2012 |



MODEL NO.: F48SG6L 16
 CUST. P/N: OSR1026
 HP: 1/4
 ROT.: CWLE
 RPM: 1025/3 SPD
 TYPE: UF
 FRAME: 48Y
 VOLTS: 208-230
 PH: 1
 AMPS: 2.0 (2.4 MAX.)
 HZ: 60
 INS.: B
 AMB.: 60° C
 DUTY: AIR OVER
 CAP.: 7.5 MFD/370 V
 ENCL: OPEN
 UL LOGO
 CSA LOGO
 THERMALLY PROTECTED



614131-015

| | | |
|--|-----------|--|
| | 14.0/16.0 | |
| | [356/406] | |
| | 14.0/16.0 | |
| | [356/406] | |
| | 14.0/16.0 | |
| | [356/406] | |
| | 14.0/16.0 | |
| | [356/406] | |

| | |
|--|--|
| | |
| | |
| | |
| | |

DISTRIBUTION SERVICES

CARACTERISTICAS DE GEOMETRIA Y SIMBOLOS
 □ PLANICIDAD
 — RECTITUD
 < ANGULARIDAD
 ⊥ PERPENDICULARIDAD (A ESCUADRA)
 // PARALELISMO
 ○ REDONDEZ (CIRCULARIDAD)
 ∅ CILINDRICIDAD
 △ PERFIL DE CUALQUIER SUPERFICIE
 ∩ PERFIL DE CUALQUIER LINEA
 / VARIACION
 ⊕ POSICION REAL
 ⊙ CONCENTRICIDAD
 = SIMETRIA
 ASME Y14.5M 1994

REGAL-BELOIT CORPORATION (RBC) PROVEE ASISTENCIA TECNICA A NUESTROS CLIENTES EN VARIAS AREAS. DESDE QUE RBC NO RECIBE TODOS LOS DATOS EN RELACION AL USO Y A LA APLICACION DEL MOTOR, LA APLICACION ADECUADA DEL MOTOR DEBE SER DETERMINADA POR EL CLIENTE.

DIMENSIONES SIN TOLERANCIA SON DE REFERENCIA SOLAMENTE

DIBUJADO POR: A.CHEN

03-14-2012

APROBADO POR: B.SHEN

03-14-2012

TERCER ANGULO DE PROYECCION



FECHA EDS: 11-11-2011
 REV. FORMATO: G

CONFIDENCIAL: ESTE DIBUJO Y SU INFORMACION SON PROPIEDAD DE USO EXCLUSIVO Y CONFIDENCIAL DE REGAL-BELOIT CORPORATION. Y NO DEBERAN SER REVELADOS, DUPLICADOS, DISTRIBUIDOS O USARSE DE OTRA MANERA SIN EL CONSENTIMIENTO ESCRITO DE REGAL-BELOIT CORPORATION. -TODOS LOS DERECHOS RESERVADOS.

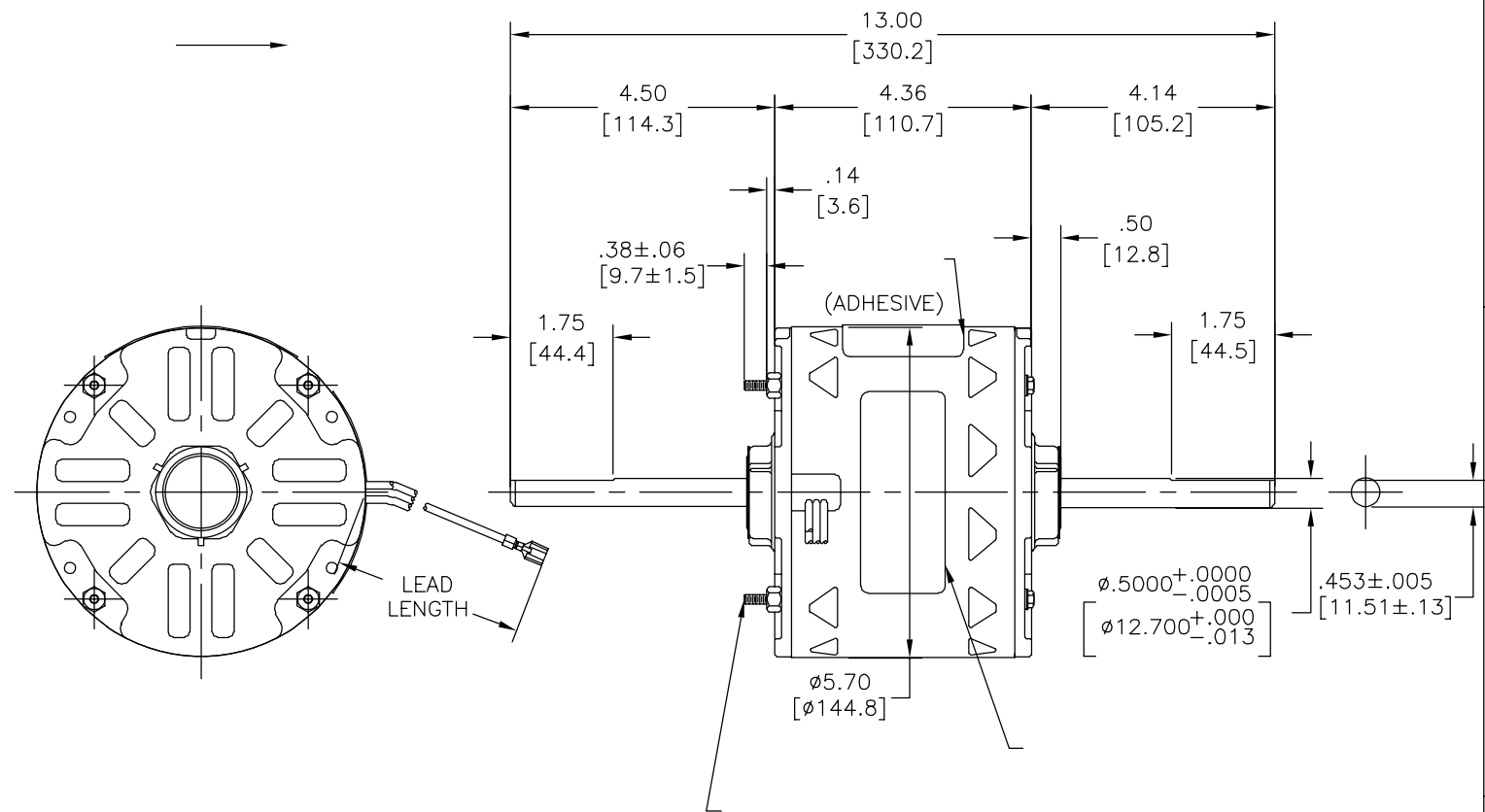


DESCRIPCION: MODEL-RFHP-48FR OUTLINE

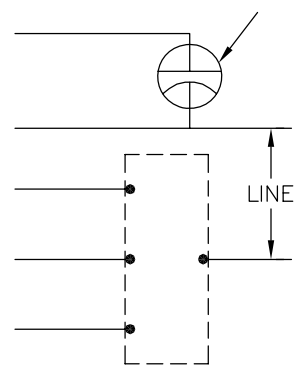
TAMAÑO: C NUMERO DE DIBUJO: OSR1026

ESCALA: NONE HOJA: 1

| | | | | | |
|----|---------|--------|------------|--------|------------|
| 版本 | ECO | 编制 | 日期 | 批准 | 日期 |
| B | 0024331 | A.CHEN | 03-14-2012 | B.SHEN | 03-14-2012 |



MODEL NO.: F48SG6L 16
 CUST. P/N: OSR1026
 HP: 1/4
 ROT.: CWLE
 RPM: 1025/3 SPD
 TYPE: UF
 FRAME: 48Y
 VOLTS: 208-230
 PH: 1
 AMPS: 2.0 (2.4 MAX.)
 HZ: 60
 INS.: B
 AMB.: 60° C
 DUTY: AIR OVER
 CAP.: 7.5 MFD/370 V
 ENCL: OPEN
 UL LOGO
 CSA LOGO
 THERMALLY PROTECTED



614131-015

| | | |
|--|-----------|--|
| | 14.0/16.0 | |
| | [356/406] | |
| | 14.0/16.0 | |
| | [356/406] | |
| | 14.0/16.0 | |
| | [356/406] | |
| | 14.0/16.0 | |
| | [356/406] | |

| | |
|--|--|
| | |
| | |
| | |
| | |

DISTRIBUTION SERVICES

- 形位公差
- 平面度
- 直线度
- ∠ 倾斜度
- ⊥ 垂直度
- // 平行度
- 圆度
- ⊘ 圆柱度
- △ 面轮廓度
- ∩ 线轮廓度
- ↗ 圆跳动
- ⊕ 位置度
- ⊙ 同轴度
- ≡ 对称度

ASME Y14.5M 1994

REGAL-BELOIT CORPORATION (RBC) 在个别领域为客户提供技术支持。鉴于RBC未收到任何涉及电机使用和应用环境的数据，电机的适用性由客户自己决定。

未注公差尺寸仅供参考。

绘图: A.CHEN 03-14-2012

批准: B.SHEN 03-14-2012

第三角投影 图纸格式发布日期 11-11-2011 图纸格式版本 G

机密: 本图纸及相关信息所有权归REGAL-BELOIT CORPORATION。未经REGAL-BELOIT CORPORATION书面授权, 不得泄露、复制或传播或作其他用途。一版权所有

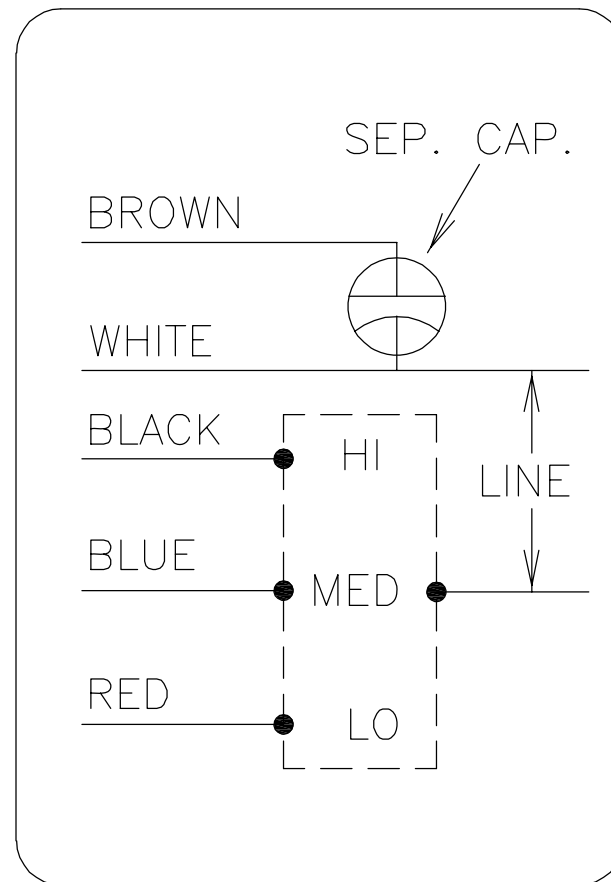


名称 MODEL-RFHP-48FR OUTLINE

图幅 C 图号 OSR1026

比例 NONE 页号 1

| REV | ECO | REV BY | DATE | APPD | DATE |
|-----|---------|-----------|------------|-----------|------------|
| A | 0019783 | A.DE LUNA | 06-22-2011 | S.JIMENEZ | 06-22-2011 |



GEOMETRIC CHARACTERISTICS & SYMBOLS

- ▭ FLATNESS
- STRAIGHTNESS
- ∠ ANGULARITY
- ⊥ PERPENDICULARITY (SQUARENESS)
- // PARALLELISM
- ROUNDNESS (CIRCULARITY)
- ⊘ CYLINDRICITY
- ⌒ PROFILE OF ANY SURFACE
- ⌒ PROFILE OF ANY LINE
- ↑ RUNOUT
- ⊕ TRUE POSITION
- ◎ CONCENTRICITY
- ≡ SYMMETRY

UNLESS OTHERWISE SPECIFIED
DIM. TOLERANCES ARE AS FOLLOWS:

| | | | | |
|------|------|-------|--------|--------|
| | X | XX | XXX | XXXX |
| INCH | ±.1 | ±.02 | ±.005 | ±.0005 |
| mm | ±0.5 | ±0.13 | ±0.013 | |

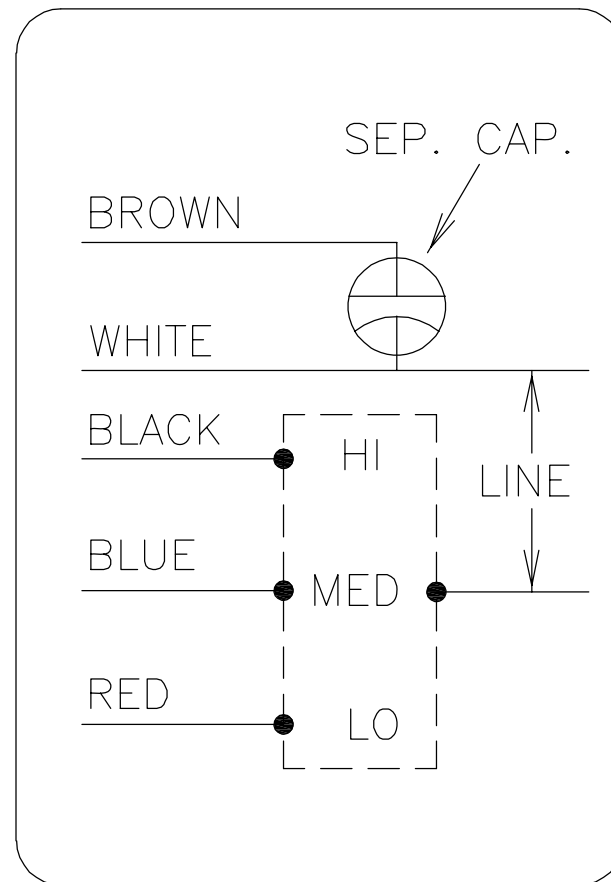
ANG. ±.50 DEG
REMOVE BURRS & BREAK SHARP EDGES:
INCH .003-.015 mm 0.1-0.4
CORNER FILLETS TO:
INCH .020 mm 0.5
MACHINE SURFACES:
INCH 125 mm 3.2

METRIC DIMS. SHOWN IN [BRACKETS]

| | | |
|---|-----------|-------------------------------------|
| DR BY: | A.DE LUNA | 06-22-2011 |
| APPD: | S.JIMENEZ | 06-22-2011 |
| THIRD ANGLE PROJECTION | | EDS DATE 02-22-2008 FORMAT REV F |
| CONFIDENTIAL: THIS DRAWING AND ITS INFORMATION ARE THE EXCLUSIVE AND CONFIDENTIAL PROPERTY OF A.O. SMITH CORP. AND ARE NOT TO BE DISCLOSED, DUPLICATED, DISTRIBUTED OR OTHERWISE USED WITHOUT THE WRITTEN CONSENT OF A.O. SMITH CORP. -ALL RIGHTS RESERVED. ASME Y14.5M 1994 | | |

| | | |
|------------------------|------------|--|
| | | ELECTRICAL PRODUCTS COMPANY <small>A DIVISION OF A. O. SMITH CORPORATION</small> |
| DESCRIPTION | | |
| CONN DIAGRAM-NAMEPLATE | | |
| SIZE | DWG NO | |
| A | 614131-015 | |
| SCALE | | SHEET |
| NONE | | 1 |

| | | | | | |
|-----------|---------|---------------|------------|---------------|------------|
| REVISION: | ECO | REVISADO POR: | FECHA: | APROBADO POR: | FECHA: |
| A | 0019783 | A.DE LUNA | 06-22-2011 | S.JIMENEZ | 06-22-2011 |



CARACTERISTICAS DE GEOMETRIA Y SIMBOLOS

- ▭ PLANICIDAD
- RECTITUD
- ∠ ANGULARIDAD
- ⊥ PERPENDICULARIDAD (A ESCUADRA)
- // PARALELISMO
- REDONDEZ (CIRCULARIDAD)
- ⊘ CILINDRICIDAD
- ⌒ PERFIL DE CUALQUIER SUPERFICIE
- ⌒ PERFIL DE CUALQUIER LINEA
- ↑ VARIACION
- ⊕ POSICION REAL
- ◎ CONCENTRICIDAD
- ≡ SIMETRIA

A MENOS QUE SE ESPECIFIQUE DE OTRA MANERA, LAS TOLERANCIAS DE LAS DIMS; SON LAS SIGUIENTES:

| | | | |
|----------------------------|----|-----|------|
| X | XX | XXX | XXXX |
| PULG ±.1 ±.02 ±.005 ±.0005 | | | |
| mm ±0.5 ±0.13 ±0.013 | | | |

ANG. ±.50 GRADOS
 ELIMINAR REBABAS Y ORILLAS FILOSAS DEL BORDE.

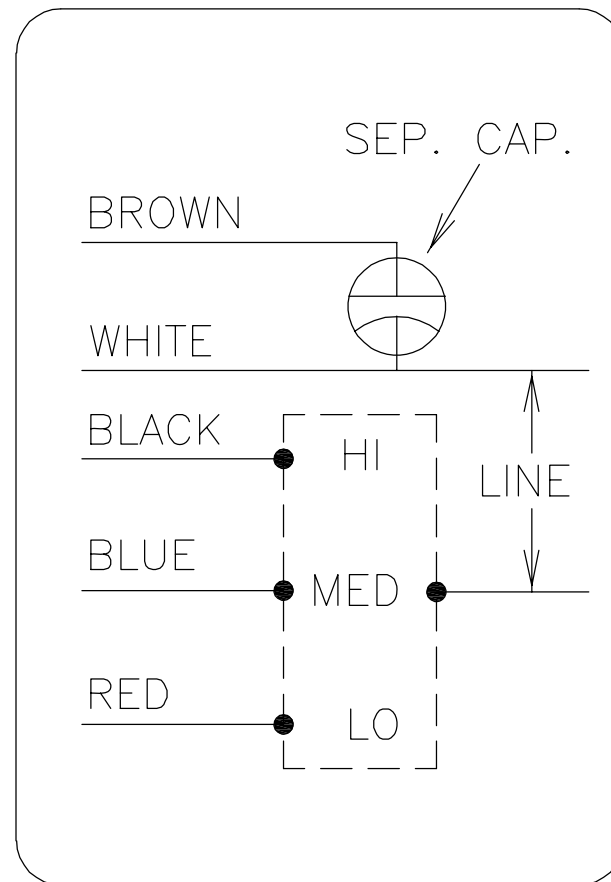
PULG .003-.015 mm 0.1-0.4
 FILETEAR ESQUINA: PULG .020 mm 0.5
 MAQUINAR SUPERFICIES
 PULG 125 mm 3.2

DIMS METRICAS MOSTRADAS [PARENTESIS]

| | |
|--|-----------------|
| DIBUJADO POR: A.DE LUNA | 06-22-2011 |
| APROBADO POR: S.JIMENEZ | 06-22-2011 |
| TERCER ANGULO DE PROYECCION | |
| FECHA EDS: 02-22-2008 | REV. FORMATO: F |
| CONFIDENCIAL: ESTE DIBUJO Y SU INFORMACION SON PROPIEDAD DE USO EXCLUSIVO Y CONFIDENCIAL DE A.O.SMITH CORP. Y NO DEBERAN SER REVELADOS, DUPLICADOS, DISTRIBUIDOS O USARSE DE OTRA MANERA SIN EL CONSENTIMIENTO ESCRITO DE A.O. SMITH CORP. -TODOS LOS DERECHOS RESERVADOS.ASME Y14.5M 1994 | |

| | |
|---|--|
| | ELECTRICAL PRODUCTS COMPANY <small>A DIVISION OF A. O. SMITH CORPORATION</small> |
| DESCRIPCION: CONN DIAGRAM-NAMEPLATE | |
| TAMAÑO: A | NUMERO DE DIBUJO: 614131-015 |
| ESCALA:NONE | HOJA: 1 |

| | | | | | |
|----|---------|-----------|------------|-----------|------------|
| 版本 | ECO | 编制 | 日期 | 批准 | 日期 |
| A | 0019783 | A.DE LUNA | 06-22-2011 | S.JIMENEZ | 06-22-2011 |



- 形位公差
- 平面度
- 直线度
- ∠ 倾斜度
- ⊥ 垂直度
- // 平行度
- 圆度
- ⊘ 圆柱度
- △ 面轮廓度
- ∩ 线轮廓度
- ↗ 圆跳动
- ⊕ 位置度
- ◎ 同轴度
- ≡ 对称度

除另有注明
尺寸公差如下:

| | | | | |
|----|------|-------|--------|--------|
| | X | XX | XXX | XXXX |
| 英寸 | ±.1 | ±.02 | ±.005 | ±.0005 |
| 毫米 | ±0.5 | ±0.13 | ±0.013 | |

角度 ±.50 度
清理毛刺和尖棱
英寸 .003-.015 毫米 0.1-0.4
内圆角
英寸 .020 毫米 0.5
表面粗糙度
英制 125 米制 3.2

米制尺寸显示在 []

| | | |
|---|-----------|---------------------------------|
| 绘图: | A.DE LUNA | 06-22-2011 |
| 批准: | S.JIMENEZ | 06-22-2011 |
| 第三角投影 | | 图纸格式发布日期 02-22-2008 图纸格式版本 F |
| 机密: 本图纸及相关信息所有权归A. O. SMITH公司所有。 未经A. O. SMITH公司书面授权, 不得泄露、复制、传播或作 其他用途。—版权所有 | | |
| ASME Y14.5M 1994 | | |

| | | |
|-------------------------------------|------------------|--|
| | | ELECTRICAL PRODUCTS COMPANY <small>A DIVISION OF A. O. SMITH CORPORATION</small> |
| 名称 CONN DIAGRAM-NAMEPLATE | | |
| 图幅 A | 图号 614131-015 | |
| 比例 NONE | 页号 1 | |