





**Nameplate Specifications**

Phase	1	Output HP	1/15 Hp
Output KW	0.05 kW	Voltage	230 V
Speed	1500/1300 rpm	Service Factor	1
Frame	42Y	Enclosure	Open Enclosed
Thermal Protection	Automatic	Efficiency	26 %
Ambient Temperature	40 °C	Frequency	60 Hz
Current	1.3 A	Duty	Air Over
Insulation Class	B	UL	Recognized
CSA	Y	CE	N
Number of Speeds	1		

**Technical Specifications**

Electrical Type	Shaded Pole	Starting Method	Across The Line
Poles	4	Rotation	Counterclockwise Lead End
Mounting	Special	Motor Orientation	Horizontal
Drive End Bearing	Sleeve	Opp Drive End Bearing	Sleeve
Frame Material	Na	Shaft Type	Flat
Overall Length	6.15 in	Shaft Diameter	0.312 in
Shaft Extension	2.5 in		
Outline Drawing	OTC6001-S01	Connection Drawing	261B865F01

This is an uncontrolled document once printed or downloaded and is subject to change without notice. Date Created:07/09/2025

GENERAL INFORMATION:

SHAFT RUNOUT: .001 [.03] T.I.R. PER INCH LENGTH OF EXTENSION.

END PLAY: .010 [.25] TO .063 [1.60]

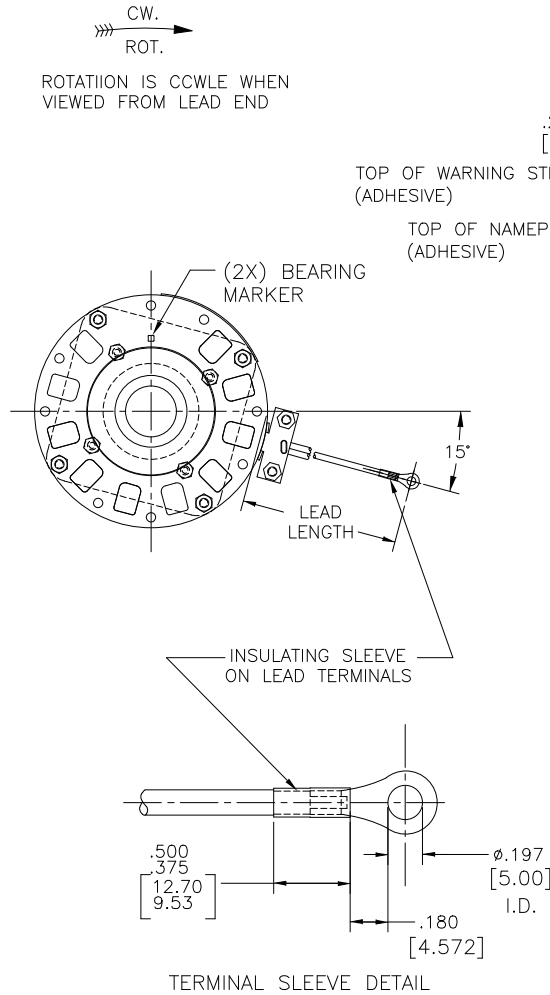
BEARINGS: SLEEVE

MOUNTING POSITION: HORIZONTAL

ELECTRICAL DATA:

OVERLOAD PROTECTOR: AUTOMATIC RESET (SENSATA 7AM 304)

LEADS: NO. 18 GA, .03[.8] THK., 125°C INSUL.



NAMEPLATE DATA:	EXTERNAL CONNECTION DIAGRAM
MODEL NO.: 326P136 CUST. P/N: OTC6001 HP: 1/15 ROT.: CCWLE RPM: 1500/1300 TYPE: FE FRAME: 42Y VOLTS: 230 PH: 1 AMPS: 1.3 HZ: 60/50 INS.: B AMB.: 40° C DUTY: AIR OVER UL LOGO CSA LOGO THERMALLY PROTECTED TYPE C	

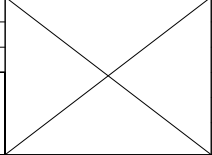
PERFORMANCE CURVE NO.	TORQUE @ 1500 RPM (25°C)	APPROVED SAMPLE	UL COMPONENT		CSA	
C30109	5.1 OZ. FT.	PM5219	FILE #	CCN #	FILE #	CLASS #
			E27885	XEWR2	LR43341	4211-01

BLUE	31.0[787] /34.0[863]	#10 INSUL. EYELET AMP 34839
BLUE	31.0[787] /34.0[863]	#10 INSUL. EYELET AMP 34839
COLOR	LENGTH	TERMINAL OR STRIP LENGTH

MAIN FRAME - OLE	OPEN
END FRAME - OLE	OPEN
MAIN FRAME - LE	OPEN
END FRAME - LE	OPEN

CUSTOMER	DISTRIBUTION SERVICE

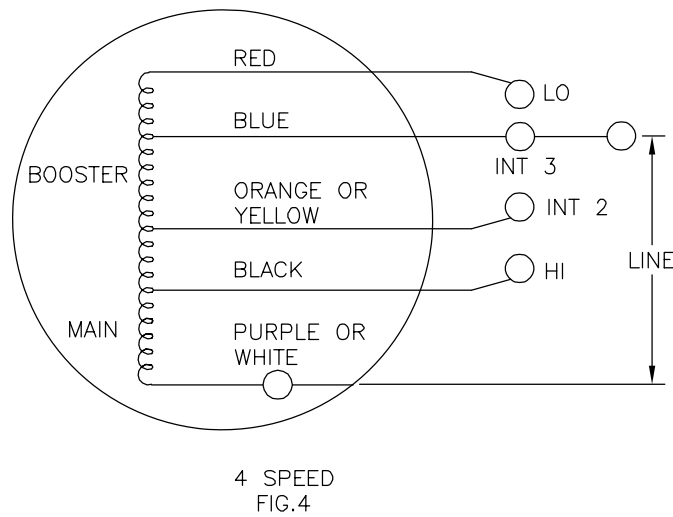
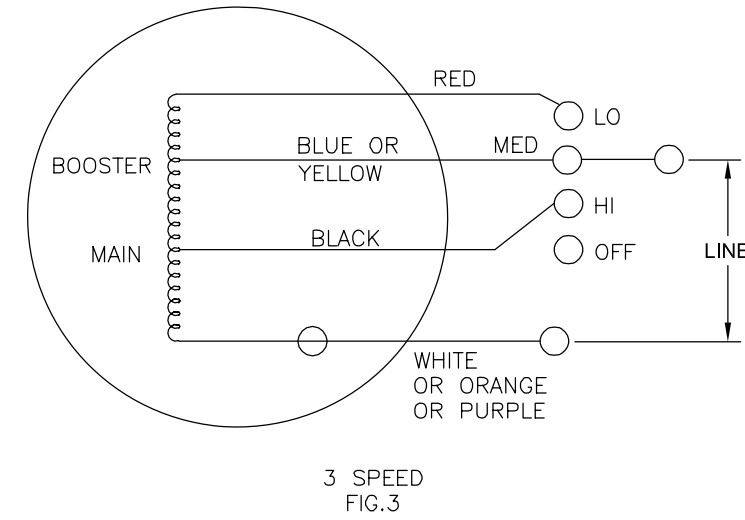
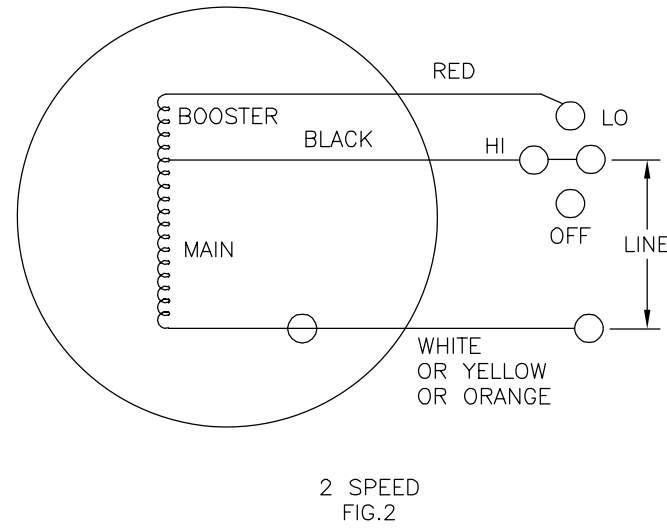
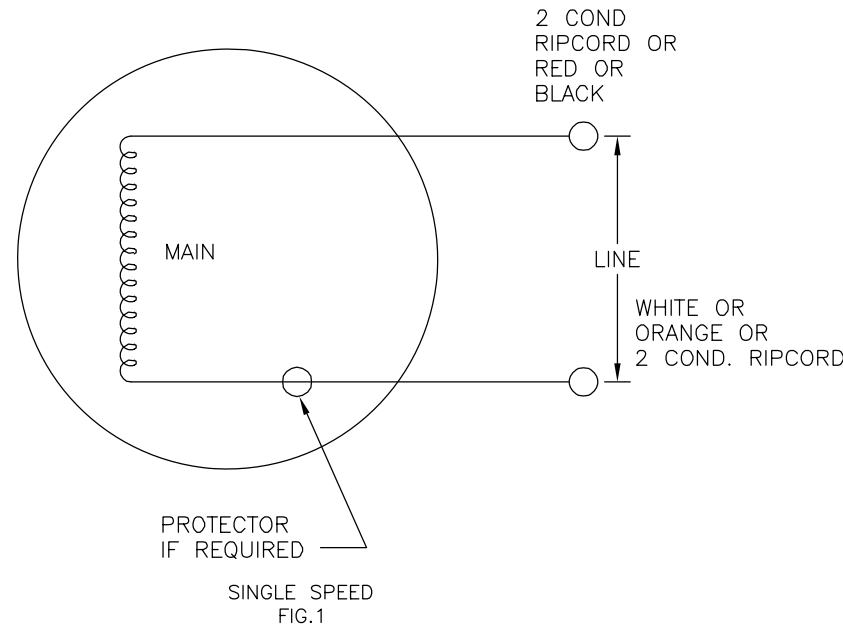
LEAD DATA		
DRAWING REVISION	REVISION BY	DATE
DA	ANJANI	07/07/2025
ECO	APPROVED BY	DATE
ECR-0244105	DARREL CLAYTON	07/07/2025
ECO DESCRIPTION		
CHANGED LEAD SET DIM PER ECR		
<small>                             COPYRIGHT REGAL BELTOI AMERICA, INC. ALL RIGHTS RESERVED.                              PROPRIETARY AND CONFIDENTIAL INFORMATION - THIS DOCUMENT IS THE PROPERTY OF REGAL BELTOI AMERICA, INC. (OWNER) AND CONTAINS OWNER'S PROPRIETARY INFORMATION. ANY FURTHER REPRODUCTION OR OTHER FIRM RECEIVING IT IS DENIED. BY RECEIVING IT, TO AGREE THAT IT, AND/OR ANY PART OF IT, SHALL NOT BE DISCLOSED TO ANY PERSON, CORPORATION OR OTHER ENTITY, DUPLICATED, AND/OR USED, EXCEPT AS EXPRESSLY APPROVED IN WRITING IN ADVANCE BY OWNER. THIS DOCUMENT SHALL BE RETURNED TO OWNER UPON REQUEST. IT MAY BE SUBJECT TO CERTAIN RESTRICTIONS UNDER APPLICABLE EXPORT CONTROL LAWS AND REGULATIONS.                         </small>		



ENCLOSURE			
DRAWN BY:	Regal Rexnord Regal Beloit America, Inc.		
DATE:	08-02-1999		
APPROVED BY:	DESCRIPTION MODEL-RFHP-42FR OUTLINE		
DATE:	08-03-1999		
REFERENCE	MATERIAL	PROCESS/FINISH	
THIRD ANGLE PROJECTION	SIZE	DWG NO	SHEET
	C	OTC6001	1

REV	ECO	REV BY	DATE	APPD	DATE
T	ECO-0018824	J.HESS	04-15-2011	J.HESS	04-15-2011

FOR SINGLE SPEED ONLY  
COLOR OF LEADS TO BE OPTIONAL



QUALITY CONTROL NOTE:  
TO CHECK THE WINDINGS FOR OPENS VERIFY THE CONTINUITY AS OUTLINED BELOW.  
FIG.1 BETWEEN WHITE AND BLACK OR WHITE & RED LEADS  
FIG.2, 3 & 4, BETWEEN THE WHITE & RED LEADS.

GEOMETRIC CHARACTERISTICS & SYMBOLS

- ▭ FLATNESS
- STRAIGHTNESS
- ∠ ANGULARITY
- ⊥ PERPENDICULARITY (SQUARENESS)
- // PARALLELISM
- ROUNDNESS (CIRCULARITY)
- ⊘ CYLINDRICITY
- △ PROFILE OF ANY SURFACE
- ∩ PROFILE OF ANY LINE
- ↗ RUNOUT
- ⊕ TRUE POSITION
- ◎ CONCENTRICITY
- ≡ SYMMETRY

UNLESS OTHERWISE SPECIFIED  
DIM. TOLERANCES ARE AS FOLLOWS:

INCH	±.1	±.02	±.005	±.0005
mm	±0.5	±0.13	±0.013	

ANG. ±.50 DEG  
REMOVE BURRS & BREAK SHARP EDGES:  
INCH .003-.015 mm 0.1-0.4  
CORNER FILLETS TO:  
INCH .020 mm 0.5  
MACHINE SURFACES:  
INCH 125 mm 3.2  
METRIC DIMS. SHOWN IN [BRACKETS]

DR BY:	KLINE	10-24-1966
APPD:	RDS	10-27-1966
THIRD ANGLE PROJECTION		EDS DATE 02-22-2008 FORMAT REV F
CONFIDENTIAL: THIS DRAWING AND ITS INFORMATION ARE THE EXCLUSIVE AND CONFIDENTIAL PROPERTY OF A.O. SMITH CORP. AND ARE NOT TO BE DISCLOSED, DUPLICATED, DISTRIBUTED OR OTHERWISE USED WITHOUT THE WRITTEN CONSENT OF A.O. SMITH CORP. -ALL RIGHTS RESERVED. ASME Y14.5M 1994		

<b>ACSmith</b> Innovation has a name.		<b>ELECTRICAL PRODUCTS COMPANY</b> A DIVISION OF A. O. SMITH CORPORATION	
DESCRIPTION CONN DIAGRAM-EXTERNAL			
SIZE C	DWG NO 261B865F01	SHEET 1	
SCALE NONE			

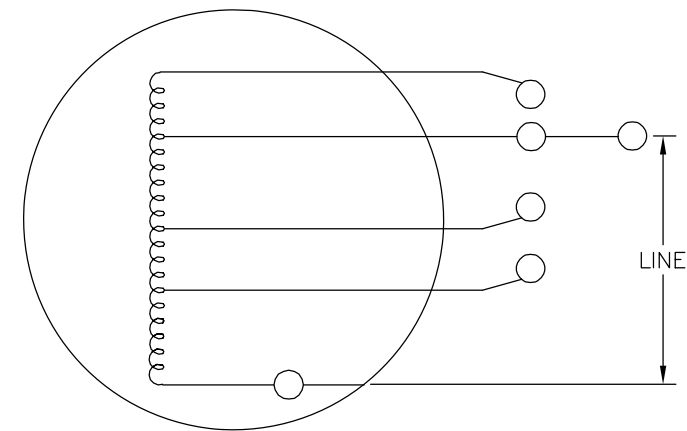
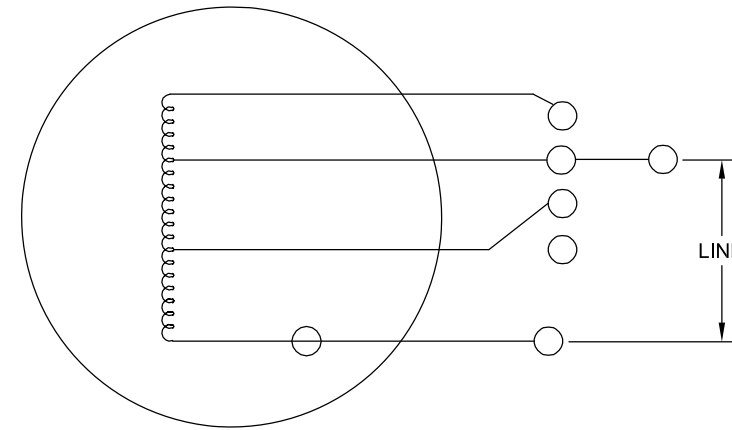
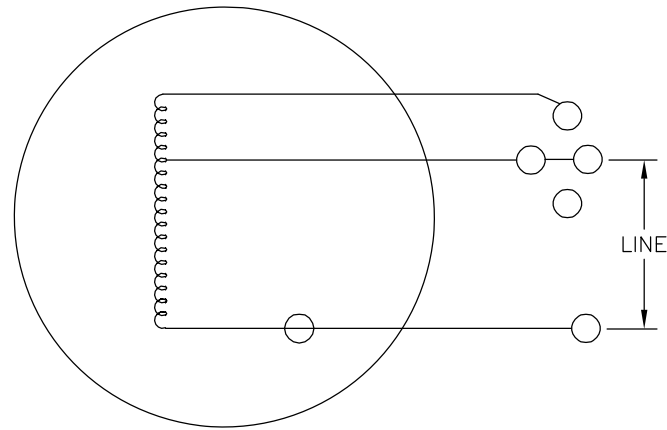
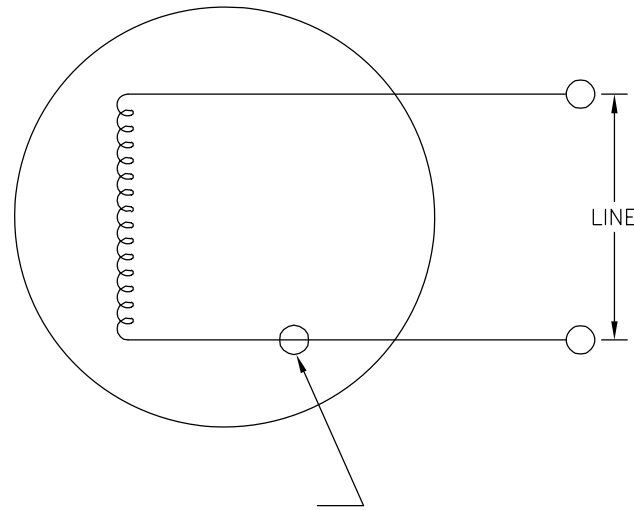
4

3

2

1

REVISION:	ECO	REVISADO POR:	FECHA:	APROBADO POR:	FECHA:
T	ECO-0018824	J.HESS	04-15-2011	J.HESS	04-15-2011



CARACTERISTICAS DE GEOMETRIA Y SIMBOLOS

- ▭ PLANICIDAD
- RECTITUD
- ∠ ANGULARIDAD
- ⊥ PERPENDICULARIDAD (A ESCUADRA)
- // PARALELISMO
- REDONDEZ (CIRCULARIDAD)
- ⊘ CILINDRICIDAD
- △ PERFIL DE CUALQUIER SUPERFICIE
- ∧ PERFIL DE CUALQUIER LINEA
- ↑ VARIACION
- ⊕ POSICION REAL
- ◎ CONCENTRICIDAD
- = SIMETRIA

A MENOS QUE SE ESPECIFIQUE DE OTRA MANERA, LAS TOLERANCIAS DE LAS DIMS; SON LAS SIGUIENTES:

PULG	±.1	±.02	±.005	±.0005
mm	±0.5	±0.13	±0.013	

ANG. ± 50 GRADOS  
ELIMINAR REBABAS Y ORILLAS FILOSAS DEL BORDE.

PULG	.003-.015	mm	0.1-0.4
------	-----------	----	---------

FILETEAR ESQUINA: PULG .020 mm 0.5  
MAQUINAR SUPERFICIES  
PULG 125 mm .32

DIMS METRICAS MOSTRADAS [PARENTESIS]

DIBUJADO POR:	KLINE	10-24-1966
APROBADO POR:	RDS	10-27-1966
TERCER ANGULO DE PROYECCION	⊕	FECHA EDS: 02-22-2008 REV. FORMATO: F
CONFIDENCIAL: ESTE DIBUJO Y SU INFORMACION SON PROPIEDAD DE USO EXCLUSIVO Y CONFIDENCIAL DE A.O.SMITH CORP. Y NO DEBERAN SER REVELADOS, DUPLICADOS, DISTRIBUIDOS O USARSE DE OTRA MANERA SIN EL CONSENTIMIENTO ESCRITO DE A.O. SMITH CORP. -TODOS LOS DERECHOS RESERVADOS.ASME Y14.5M 1994		

**ACSmith** **ELECTRICAL PRODUCTS COMPANY**  
Innovation has a name. A DIVISION OF A. O. SMITH CORPORATION

DESCRIPCION:  
**CONN DIAGRAM-EXTERNAL**

TAMAÑO: C NUMERO DE DIBUJO: 261B865F01

ESCALA: NONE HOJA: 1

4

3

2

1

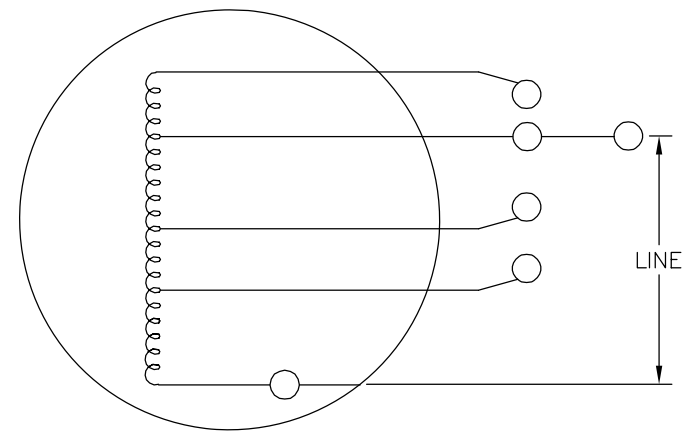
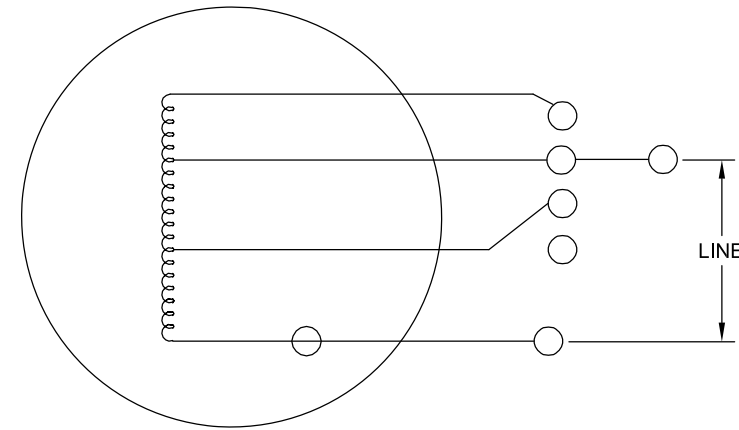
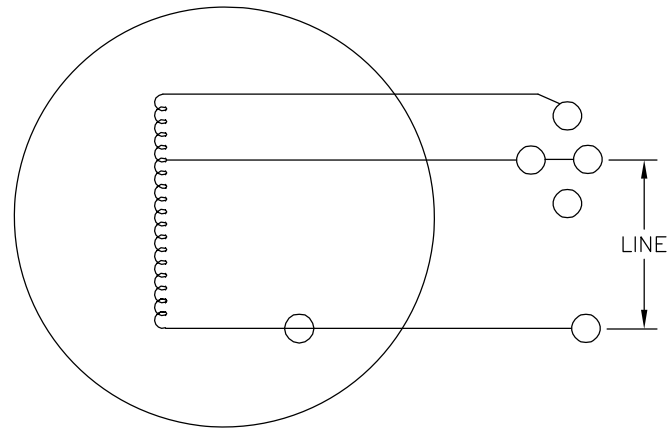
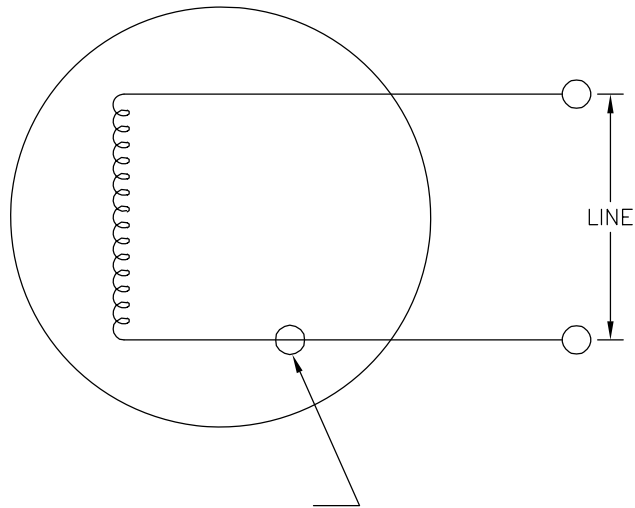
4

3

2

1

版本	ECO	编制	日期	批准	日期
T	ECO-0018824	J.HESS	04-15-2011	J.HESS	04-15-2011



形位公差
□ 平面度
— 直线度
∠ 倾斜度
⊥ 垂直度
// 平行度
○ 圆度
⊙ 圆柱度
∩ 内圆角
△ 面轮廓度
∩ 线轮廓度
↗ 圆跳动
⊕ 位置度
⊗ 同轴度
≡ 对称度

除另有注明 尺寸公差如下:
英寸 X XX XXX XXXX
毫米 ±0.1 ±0.02 ±0.005 ±0.0005
毫米 ±0.5 ±0.13 ±0.013
角度 ±.50 度
清理毛刺和尖棱
英寸 .003-.015 毫米 0.1-0.4
内圆角
英寸 .020 毫米 0.5
表面粗糙度
英制 125 米制 3.2
米制尺寸显示在 [ ]

绘图:	KLINE	10-24-1966
批准:	RDS	10-27-1966
第三角投影		图纸格式发布日期 02-22-2008 图纸格式版本 F
机密: 本图纸及相关信息所有权归A. O. SMITH公司所有。 未经A. O. SMITH公司书面授权, 不得泄露、复制、传播或作 其他用途。—版权所有		
ASME Y14.5M 1994		

<b>ACSmith</b> Innovation has a name.		<b>ELECTRICAL PRODUCTS COMPANY</b> A DIVISION OF A. O. SMITH CORPORATION	
名称 CONN DIAGRAM-EXTERNAL			
图幅	C	图号	261B865F01
比例	NONE	页号	1

4

3

2

1