

PRODUCT INFORMATION PACKET



Model No: OTR1028

Catalog No: OTR1028

OEM Replacement Motor, 1/4 HP, 1 Ph, 60 Hz, 200-230 V, 825 RPM, 1 Speed, 48 Frame, TEAO



Regal and Century are trademarks of Regal Rexnord Corporation or one of its affiliated companies.

©2025 Regal Rexnord Corporation, All Rights Reserved. MC017097E





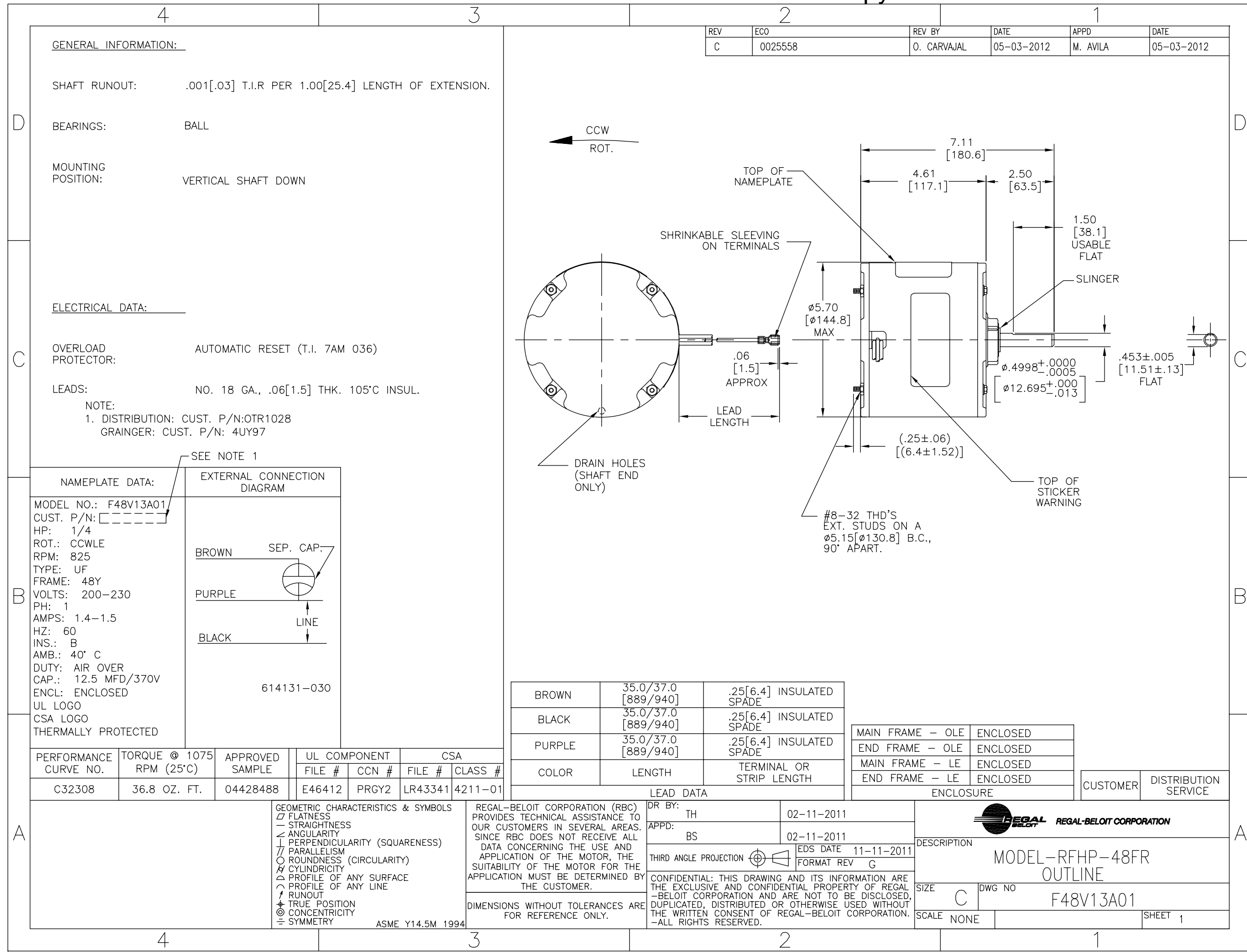
Nameplate Specifications

Phase	1	Output HP	1/4 Hp
Output KW	0.19 kW	Voltage	200-230 V
Speed	825 rpm	Service Factor	1.0
Frame	48Y	Enclosure	Totally Enclosed Air Over
Thermal Protection	Automatic	Ambient Temperature	40 °C
Frequency	60 Hz	Current	1.4-1.5 A
Duty	Air Over	Insulation Class	B
UL	Recognized	CSA	Y
CE	N	Number of Speeds	1

Technical Specifications

Electrical Type	Permanent Split Capacitor	Starting Method	Across The Line
Poles	8	Rotation	Counterclockwise Lead End
Mounting	Extended Studs	Motor Orientation	Vertical Shaft Down
Drive End Bearing	Ball	Opp Drive End Bearing	Ball
Frame Material	Rolled Steel	Shaft Type	Flat
Overall Length	7.36 in	Frame Length	4.00 in
Shaft Diameter	0.500 in	Shaft Extension	2.5 in
Outline Drawing	F48V13A01	Connection Drawing	614131-030

This is an uncontrolled document once printed or downloaded and is subject to change without notice. Date Created:02/10/2025



GENERAL INFORMATION:

SHAFT RUNOUT: .001[.03] T.I.R PER 1.00[25.4] LENGTH OF EXTENSION.

BEARINGS: BALL

MOUNTING POSITION: VERTICAL SHAFT DOWN

ELECTRICAL DATA:

OVERLOAD PROTECTOR: AUTOMATIC RESET (T.I. 7AM 036)

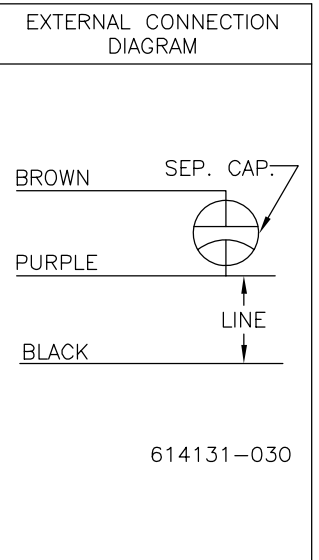
LEADS: NO. 18 GA., .06[1.5] THK. 105°C INSUL.

NOTE:
1. DISTRIBUTION: CUST. P/N:OTR1028
GRAINGER: CUST. P/N: 4UY97

REV	ECO	REV BY	DATE	APPD	DATE
C	0025558	O. CARVAJAL	05-03-2012	M. AVILA	05-03-2012

NAMEPLATE DATA:

MODEL NO.: F48V13A01
CUST. P/N: []
HP: 1/4
ROT.: CCWLE
RPM: 825
TYPE: UF
FRAME: 48Y
VOLTS: 200-230
PH: 1
AMPS: 1.4-1.5
HZ: 60
INS.: B
AMB.: 40° C
DUTY: AIR OVER
CAP.: 12.5 MFD/370V
ENCL: ENCLOSED
UL LOGO
CSA LOGO
THERMALLY PROTECTED



BROWN	35.0/37.0 [889/940]	.25[6.4] INSULATED SPADE
BLACK	35.0/37.0 [889/940]	.25[6.4] INSULATED SPADE
PURPLE	35.0/37.0 [889/940]	.25[6.4] INSULATED SPADE
COLOR	LENGTH	TERMINAL OR STRIP LENGTH

MAIN FRAME - OLE	ENCLOSED
END FRAME - OLE	ENCLOSED
MAIN FRAME - LE	ENCLOSED
END FRAME - LE	ENCLOSED

CUSTOMER	DISTRIBUTION SERVICE
----------	----------------------

PERFORMANCE CURVE NO.	TORQUE @ 1075 RPM (25°C)	APPROVED SAMPLE	UL COMPONENT FILE #	CCN #	CSA FILE #	CLASS #
C32308	36.8 OZ. FT.	04428488	E46412	PRGY2	LR43341	4211-01

GEOMETRIC CHARACTERISTICS & SYMBOLS

- FLATNESS
- STRAIGHTNESS
- ANGULARITY
- PERPENDICULARITY (SQUARENESS)
- PARALLELISM
- ROUNDNESS (CIRCULARITY)
- CYLINDRICITY
- PROFILE OF ANY SURFACE
- PROFILE OF ANY LINE
- RUNOUT
- TRUE POSITION
- CONCENTRICITY
- SYMMETRY

ASME Y14.5M 1994

REGAL-BELOIT CORPORATION (RBC) PROVIDES TECHNICAL ASSISTANCE TO OUR CUSTOMERS IN SEVERAL AREAS. SINCE RBC DOES NOT RECEIVE ALL DATA CONCERNING THE USE AND APPLICATION OF THE MOTOR, THE SUITABILITY OF THE MOTOR FOR THE APPLICATION MUST BE DETERMINED BY THE CUSTOMER.

DIMENSIONS WITHOUT TOLERANCES ARE FOR REFERENCE ONLY.

DR BY: TH 02-11-2011

APPD: BS 02-11-2011

THIRD ANGLE PROJECTION

EDS DATE 11-11-2011
FORMAT REV G

CONFIDENTIAL: THIS DRAWING AND ITS INFORMATION ARE THE EXCLUSIVE AND CONFIDENTIAL PROPERTY OF REGAL-BELOIT CORPORATION AND ARE NOT TO BE DISCLOSED, DUPLICATED, DISTRIBUTED OR OTHERWISE USED WITHOUT THE WRITTEN CONSENT OF REGAL-BELOIT CORPORATION. -ALL RIGHTS RESERVED.

REGAL-BELOIT CORPORATION

DESCRIPTION: MODEL-RFHP-48FR OUTLINE

SIZE C DWG NO F48V13A01

SCALE NONE SHEET 1

REVISION:	ECO	REVISADO POR:	O. CARVAJAL	FECHA:	05-03-2012	APROBADO POR:	M. AVILA	FECHA:	05-03-2012
C	0025558								

INFORMACION GENERAL:

OSCILACION DE FLECHA: .001[.03] L.T.I. PER 1.00[25.4] LONG. DE EXTENSION.

BALEROS: BOLA

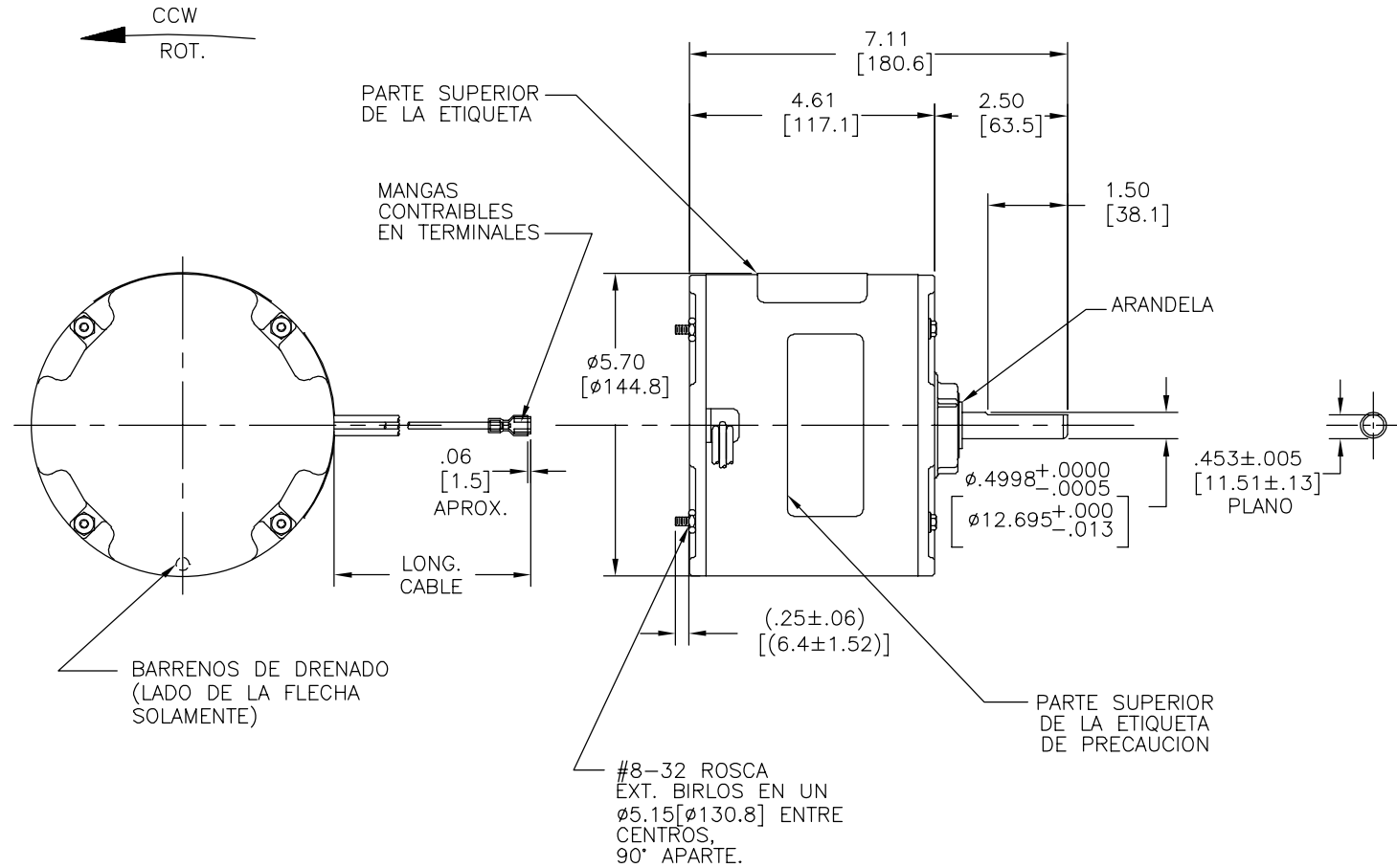
POSICION DEL MONTAJE: FLECHA VERTICAL ABAJO

INFORMACION ELECTRICA:

PROTECTOR DE SOBRECARGA: REINICIO AUTOMATICO (T.I. 7AM 036)

CABLES: CALIBRE #18, .06[1.5] GROSOR 105' AISLANTE

NOTA:
1. DISTRIBUCION: CLIENTE # PARTE: OTR1028
GRAINGER: CLIENTE # DE PARTE: 4UY97



INFORMACION DE ETIQUETA:	DIAGRAMA DE CONEXION EXTRNA
MODEL NO.: F48V13A01 CUST. P/N: [] HP: 1/4 ROT.: CCWLE RPM: 825 TYPE: UF FRAME: 48Y VOLTS: 200-230 PH: 1 AMPS: 1.4-1.5 HZ: 60 INS.: B AMB.: 40° C DUTY: AIR OVER CAP.: 12.5 MFD/370V ENCL: ENCLOSED UL LOGO CSA LOGO THERMALLY PROTECTED	<p>614131-030</p>

VER NOTA 1

CAFE	35.0/37.0 [889/940]	.25[6.4] AISLADO BANDERA
NEGRO	35.0/37.0 [889/940]	.25[6.4] AISLADO BANDERA
MORADO	35.0/37.0 [889/940]	.25[6.4] AISLADO BANDERA
COLOR	LONGITUD	TERMINAL O LONGITUD DE DESFORRE

CARCASA - LOC	CERRADO
TAPA - LOC	CERRADO
CARCASA - LC	CERRADO
TAPA - LC	CERRADO

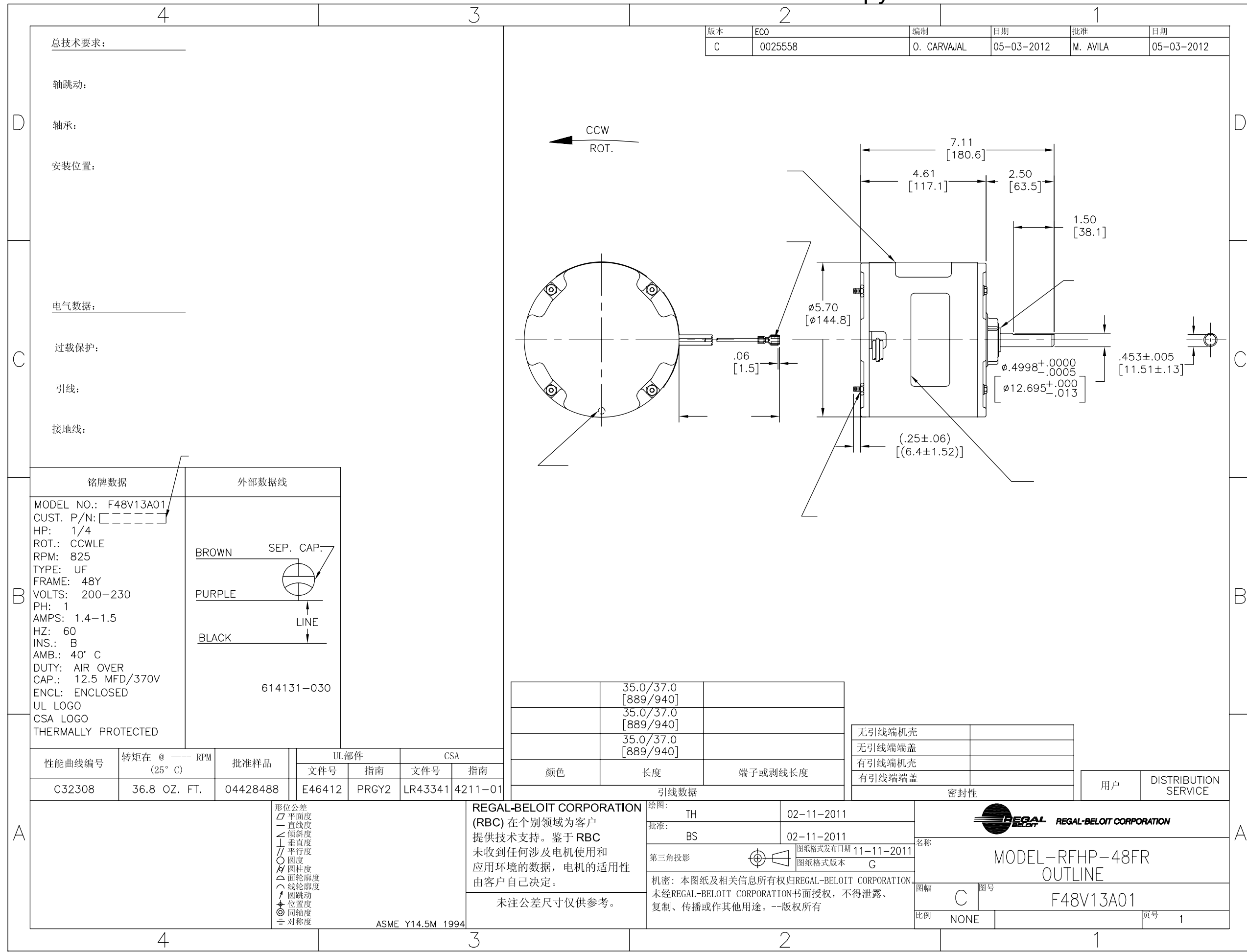
CLIENTE	DISTRIBUTION SERVICE
---------	----------------------

CURVAS DE FUNCIONAMIENTO	TORSION @ 1075 RPM (25°C)	MUESTRA APROBADA	COMPONENTE UL	CSA
C32308	36.8 OZ. FT.	04428488	#ARCHIVO PRGY2	LR43341 4211-01

<p>CARACTERISTICAS DE GEOMETRIA Y SIMBOLOS</p> <ul style="list-style-type: none"> □ PLANICIDAD - RECTITUD ∠ ANGULARIDAD ⊥ PERPENDICULARIDAD (A ESCUADRA) // PARALELISMO ○ REDONDEZ (CIRCULARIDAD) ∅ CILINDRICIDAD △ PERFIL DE CUALQUIER SUPERFICIE ∩ PERFIL DE CUALQUIER LINEA ∕ VARIACION ⊕ POSICION REAL ⊙ CONCENTRICIDAD = SIMETRIA <p>ASME Y14.5M 1994</p>	<p>REGAL-BELOIT CORPORATION (RBC) PROVEE ASISTENCIA TECNICA A NUESTROS CLIENTES EN VARIAS AREAS. DESDE QUE RBC NO RECIBE TODOS LOS DATOS EN RELACION AL USO Y A LA APLICACION DEL MOTOR, LA APLICACION ADECUADA DEL MOTOR DEBE SER DETERMINADA POR EL CLIENTE.</p> <p>DIMENSIONES SIN TOLERANCIA SON DE REFERENCIA SOLAMENTE</p>
---	--

DIBUJADO POR:	TH	02-11-2011
APROBADO POR:	BS	02-11-2011
TERCER ANGULO DE PROYECCION		FECHA EDS: 11-11-2011 REV. FORMATO: G
<p>CONFIDENCIAL: ESTE DIBUJO Y SU INFORMACION SON PROPIEDAD DE USO EXCLUSIVO Y CONFIDENCIAL DE REGAL-BELOIT CORPORATION. Y NO DEBERAN SER REVELADOS, DUPLICADOS, DISTRIBUIDOS O USARSE DE OTRA MANERA SIN EL CONSENTIMIENTO ESCRITO DE REGAL-BELOIT CORPORATION. -TODOS LOS DERECHOS RESERVADOS.</p>		

<p>REGAL-BELOIT CORPORATION</p>	
DESCRIPCION:	
MODEL-RFHP-48FR OUTLINE	
TAMAÑO: C	NUMERO DE DIBUJO: F48V13A01
ESCALA: NONE	HOJA: 1



总技术要求:

轴跳动:

轴承:

安装位置:

电气数据:

过载保护:

引线:

接地线:

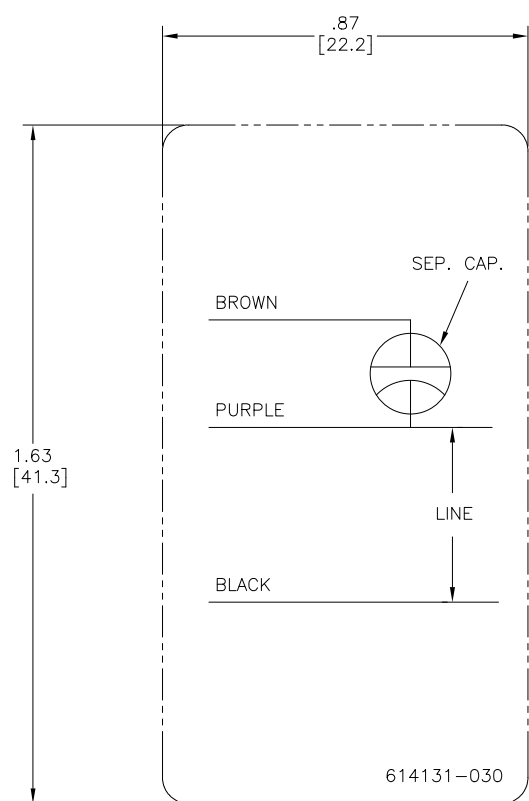
铭牌数据

外部数据线

MODEL NO.: F48V13A01
CUST. P/N: []
HP: 1/4
ROT.: CCWLE
RPM: 825
TYPE: UF
FRAME: 48Y
VOLTS: 200-230
PH: 1
AMPS: 1.4-1.5
HZ: 60
INS.: B
AMB.: 40° C
DUTY: AIR OVER
CAP.: 12.5 MFD/370V
ENCL: ENCLOSED
UL LOGO
CSA LOGO
THERMALLY PROTECTED

BROWN SEP. CAP.
PURPLE
BLACK LINE

614131-030



- NOTES:
1. FOR USE WITH 614129 OR 2513020-001 NAMEPLATE BLANKS;
 2. ----- INDICATES DIMENSION LIMITS

DRAWING REVISION C		REVISION BY J. RUPERT	DATE 03-03-2023	TOLERANCES UNLESS OTHERWISE SPECIFIED		DRAWN BY: YL						
ECO NMR-0220758		APPROVED BY J. RUPERT	DATE 03-03-2023	DEC.	INCH	mm	ANGLE			DATE: 04-08-2011		
ECO DESCRIPTION REVISED FOR UP ISSUE				.X	±0.1	[±2.5]	±0.5°	APPROVED BY: CZ	DESCRIPTION CONN DIAGRAM-NAMEPLATE			
<small> COPYRIGHT REGAL BELOIT AMERICA, INC. ALL RIGHTS RESERVED. PROPRIETARY AND CONFIDENTIAL INFORMATION - THIS DOCUMENT IS THE PROPERTY OF REGAL BELOIT AMERICA, INC. (OWNER) AND COMPANY OWNER'S PROPRIETARY INFORMATION. ANY FURTHER REPRODUCTION OR OTHER FIRM RECEIVING IT IS DENIED. BY RECEIVING IT, TO AGREE THAT IT, AND/OR ANY PART OF IT, SHALL NOT BE DISCLOSED TO ANY PERSON, CORPORATION OR OTHER ENTITY, DUPLICATED, AND/OR USED, EXCEPT AS EXPRESSLY APPROVED IN WRITING IN ADVANCE BY OWNER. THIS DOCUMENT SHALL BE RETURNED TO OWNER UPON REQUEST. IT MAY BE SUBJECT TO CERTAIN RESTRICTIONS UNDER APPLICABLE EXPORT CONTROL LAWS AND REGULATIONS. </small>				.XX	±0.02	[±0.51]		DATE: 07-08-2011	MATERIAL	PROCESS/FINISH		
				.XXX	±0.005	[±0.127]		REFERENCE				
				.XXXX	±0.0005	[±0.0127]		THIRD ANGLE PROJECTION		SIZE	DWG NO	SHEET
										C	614131-030	1