

PRODUCT INFORMATION PACKET



Model No: OTR1036

Catalog No: OTR1036

OEM Replacement Motor, 1/3 HP, 1 Ph, 60 Hz, 115 V, 1075 RPM, 4 Speed, 48 Frame, OPEN



Regal and Century are trademarks of Regal Rexnord Corporation or one of its affiliated companies.

©2025 Regal Rexnord Corporation, All Rights Reserved. MC017097E





Nameplate Specifications

Phase	1	Output HP	1/3 Hp
Output KW	0.25 kW	Voltage	115 V
Speed	1075 rpm	Service Factor	1.0
Frame	48Y	Enclosure	Open Enclosed
Thermal Protection	Automatic	Ambient Temperature	40 °C
Frequency	60 Hz	Current	6.8 A
Duty	Air Over	Insulation Class	B
UL	Recognized	CSA	Y
CE	N	Number of Speeds	4

Technical Specifications

Electrical Type	Permanent Split Capacitor	Starting Method	Across The Line
Poles	6	Rotation	Counterclockwise Lead End
Mounting	Resilient Rings	Motor Orientation	Any
Drive End Bearing	Sleeve	Opp Drive End Bearing	Sleeve
Frame Material	Rolled Steel	Shaft Type	Flat
Overall Length	8.36 in	Frame Length	4.25 in
Shaft Diameter	0.500 in	Shaft Extension	3 in
Connection Drawing	614131-088	Outline Drawing	OTR1036-S01

This is an uncontrolled document once printed or downloaded and is subject to change without notice. Date Created:02/10/2025

4

3

2

1

REV	ECO	REV BY	DATE	APPD	DATE
B	ECO-0024313	T.HUANG	02-14-2011	B.C.SHEN	02-14-2011

GENERAL INFORMATION:

SHAFT RUNOUT: .001[.03] T.I.R. PER INCH LENGTH OF EXTENSION

END PLAY: .010[.25] TO .063[1.60]

BEARINGS: SLEEVE

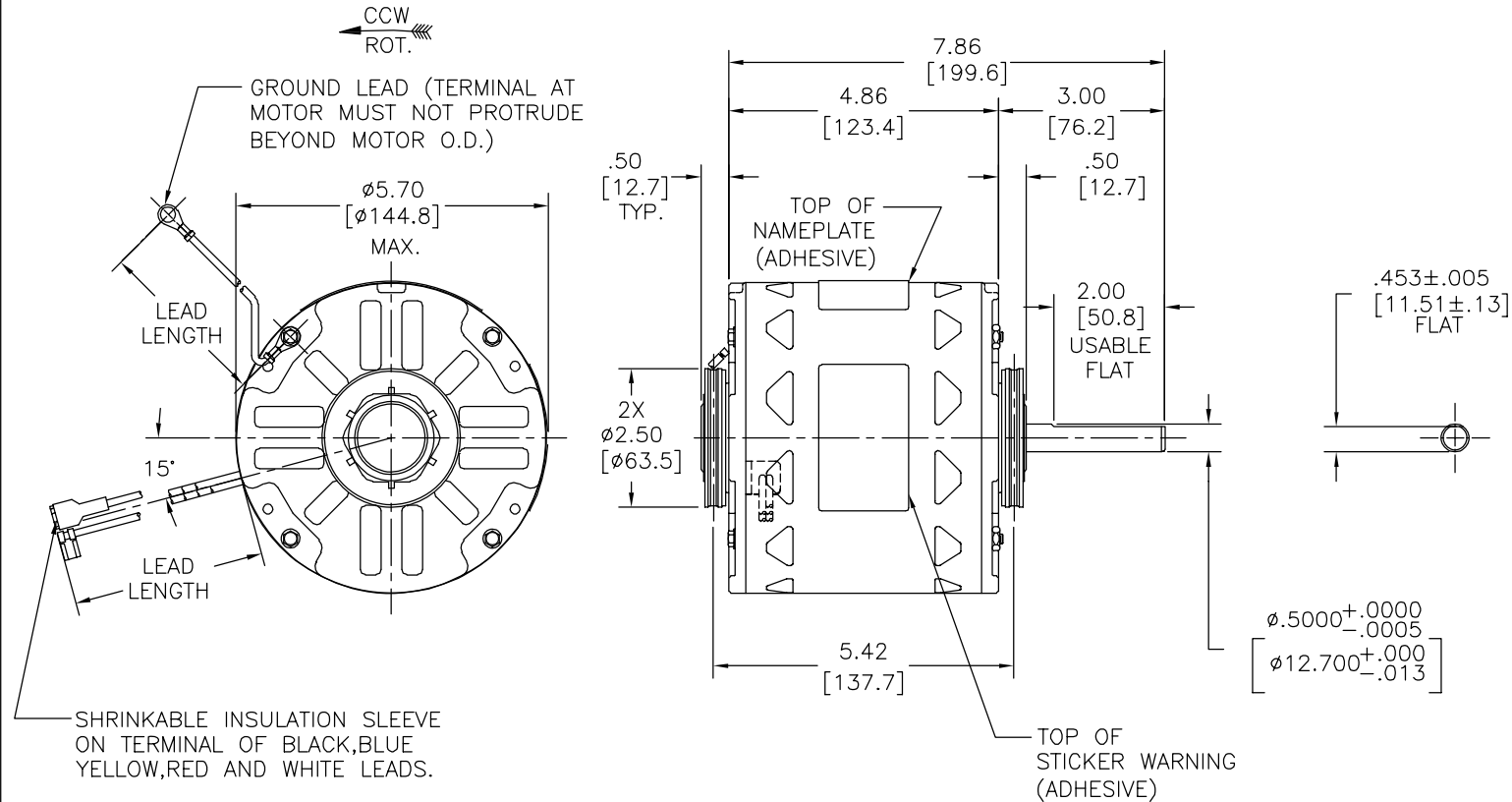
MOUNTING POSITION: ALL ANGLE

ELECTRICAL DATA:

OVERLOAD PROTECTOR: AUTOMATIC RESET (T.I. 7AM 036)

LEADS: NO. 18 GA., .06[1.5] THK. PVC 125°C INSUL.

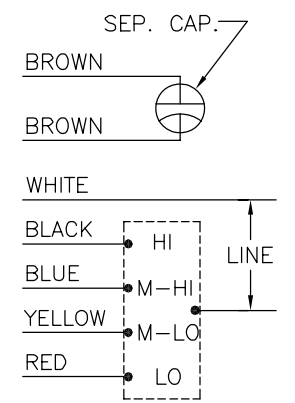
GROUND LEAD: NO. 18 GA., .03[.8] THK., (GREEN) INSUL.



NAMEPLATE DATA:

EXTERNAL CONNECTION DIAGRAM

MODEL NO.: F48V75A01
 CUST. P/N: OTR1036
 HP: 1/3
 ROT.: CCWLE
 RPM: 1075/4 SPD.
 TYPE: UF
 FRAME: 48Y
 VOLTS: 115
 PH: 1
 AMPS: 6.8
 HZ: 60
 INS.: B
 AMB.: 40° C
 DUTY: AIR OVER
 CAP.: 10 MFD/370V
 ENCL: OPEN
 UL LOGO
 CSA LOGO
 THERMALLY PROTECTED



614131-088

GREEN (GROUND)	5.0/7.0 [127/178]	.25[6.4] RING
BROWN	13.0/15.0 [330/381]	.25[6.4] FLAG
BROWN	13.0/15.0 [330/381]	.25[6.4] FLAG
BLACK	23.0/25.0 [584/635]	.25[6.4] FEMALE SPADE
BLUE	23.0/25.0 [584/635]	.25[6.4] FEMALE SPADE
YELLOW	23.0/25.0 [584/635]	.25[6.4] FEMALE SPADE
RED	23.0/25.0 [584/635]	.25[6.4] FEMALE SPADE
WHITE	23.0/25.0 [584/635]	.25[6.4] FEMALE SPADE
COLOR	LENGTH	TERMINAL OR STRIP LENGTH

MAIN FRAME - OLE	OPEN
END FRAME - OLE	OPEN
MAIN FRAME - LE	OPEN
END FRAME - LE	OPEN

CUSTOMER	DISTRIBUTION SERVICE
----------	----------------------

PERFORMANCE CURVE NO.	TORQUE @ 1075 RPM (25°C)	APPROVED SAMPLE	UL COMPONENT FILE #	CCN #	CSA FILE #	CLASS #
C31907	41.7 OZ. FT.	99AC408AY	E46412	PRGY2	LR43341	4211-01

GEOMETRIC CHARACTERISTICS & SYMBOLS
 □ FLATNESS
 — STRAIGHTNESS
 < ANGLARITY
 ⊥ PERPENDICULARITY (SQUARENESS)
 // PARALLELISM
 ○ ROUNDNESS (CIRCULARITY)
 ∅ CYLINDRICITY
 △ PROFILE OF ANY SURFACE
 ∩ PROFILE OF ANY LINE
 ↗ RUNOUT
 ⊕ TRUE POSITION
 ⊙ CONCENTRICITY
 = SYMMETRY
 ASME Y14.5M 1994

REGAL-BELOIT CORPORATION (RBC) PROVIDES TECHNICAL ASSISTANCE TO OUR CUSTOMERS IN SEVERAL AREAS. SINCE RBC DOES NOT RECEIVE ALL DATA CONCERNING THE USE AND APPLICATION OF THE MOTOR, THE SUITABILITY OF THE MOTOR FOR THE APPLICATION MUST BE DETERMINED BY THE CUSTOMER.
 DIMENSIONS WITHOUT TOLERANCES ARE FOR REFERENCE ONLY.

DR BY: T.HUANG 02-14-2011
 APPD: B.C.SHEN 02-14-2011
 THIRD ANGLE PROJECTION
 EDS DATE 11-11-2011
 FORMAT REV G
 CONFIDENTIAL: THIS DRAWING AND ITS INFORMATION ARE THE EXCLUSIVE AND CONFIDENTIAL PROPERTY OF REGAL-BELOIT CORPORATION AND ARE NOT TO BE DISCLOSED, DUPLICATED, DISTRIBUTED OR OTHERWISE USED WITHOUT THE WRITTEN CONSENT OF REGAL-BELOIT CORPORATION. -ALL RIGHTS RESERVED.

REGAL-BELOIT CORPORATION

DESCRIPTION: MODEL-RFHP-48FR OUTLINE

SIZE: C DWG NO: OTR1036

SCALE: NONE SHEET: 1

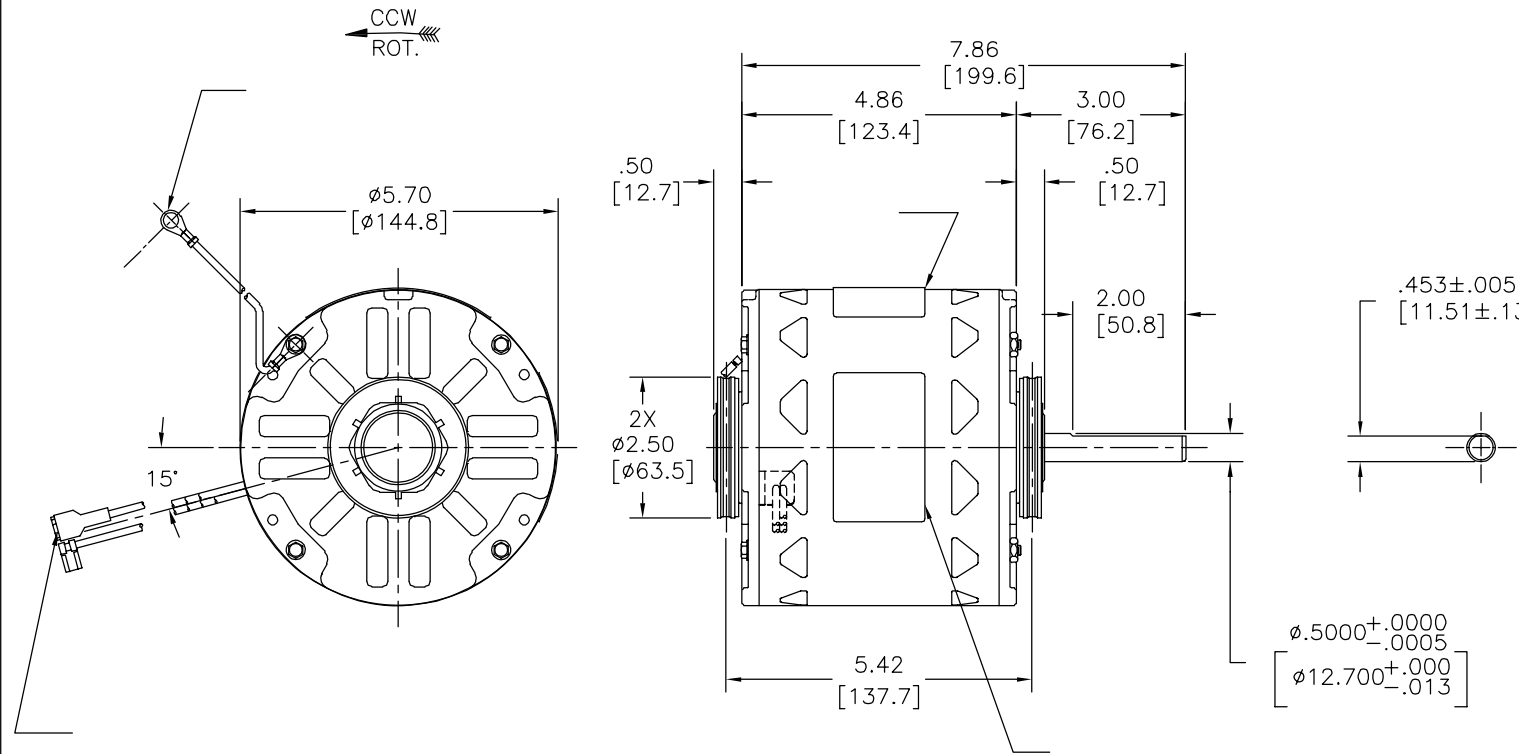
4

3

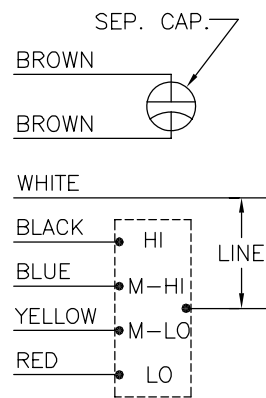
2

1

REVISION:	ECO	REVISADO POR:	FECHA:	APROBADO POR:	FECHA:
B	ECO-0024313	T.HUANG	02-14-2011	B.C.SHEN	02-14-2011



MODEL NO.: F48V75A01
 CUST. P/N: OTR1036
 HP: 1/3
 ROT.: CCWLE
 RPM: 1075/4 SPD.
 TYPE: UF
 FRAME: 48Y
 VOLTS: 115
 PH: 1
 AMPS: 6.8
 HZ: 60
 INS.: B
 AMB.: 40° C
 DUTY: AIR OVER
 CAP.: 10 MFD/370V
 ENCL: OPEN
 UL LOGO
 CSA LOGO
 THERMALLY PROTECTED



614131-088

	5.0/7.0	
	[127/178]	
	13.0/15.0	
	[330/381]	
	13.0/15.0	
	[330/381]	
	23.0/25.0	
	[584/635]	
	23.0/25.0	
	[584/635]	
	23.0/25.0	
	[584/635]	
	23.0/25.0	
	[584/635]	
	23.0/25.0	
	[584/635]	

C31907	41.7 OZ. FT.	99AC408AY	E46412	PRGY2	LR43341	4211-01
--------	--------------	-----------	--------	-------	---------	---------

DISTRIBUTION SERVICE

CARACTERISTICAS DE GEOMETRIA Y SIMBOLOS

- ▮ PLANICIDAD
- RECTITUD
- ∠ ANGULARIDAD
- ⊥ PERPENDICULARIDAD (A ESCUADRA)
- // PARALELISMO
- REDONDEZ (CIRCULARIDAD)
- ⊘ CILINDRICIDAD
- △ PERFIL DE CUALQUIER SUPERFICIE
- ∧ PERFIL DE CUALQUIER LINEA
- ∧ VARIACION
- ⊕ POSICION REAL
- ◎ CONCENTRICIDAD
- ≡ SIMETRIA

ASME Y14.5M 1994

REGAL-BELOIT CORPORATION (RBC) PROVEE ASISTENCIA TECNICA A NUESTROS CLIENTES EN VARIAS AREAS. DESDE QUE RBC NO RECIBE TODOS LOS DATOS EN RELACION AL USO Y A LA APLICACION DEL MOTOR, LA APLICACION ADECUADA DEL MOTOR DEBE SER DETERMINADA POR EL CLIENTE.

DIMENSIONES SIN TOLERANCIA SON DE REFERENCIA SOLAMENTE

DIBUJADO POR: T.HUANG 02-14-2011
 APROBADO POR: B.C.SHEN 02-14-2011

TERCER ANGULO DE PROYECCION

FECHA EDS: 11-11-2011
 REV. FORMATO: G

CONFIDENCIAL: ESTE DIBUJO Y SU INFORMACION SON PROPIEDAD DE USO EXCLUSIVO Y CONFIDENCIAL DE REGAL-BELOIT CORPORATION. Y NO DEBERAN SER REVELADOS, DUPLICADOS, DISTRIBUIDOS O USARSE DE OTRA MANERA SIN EL CONSENTIMIENTO ESCRITO DE REGAL-BELOIT CORPORATION. -TODOS LOS DERECHOS RESERVADOS.

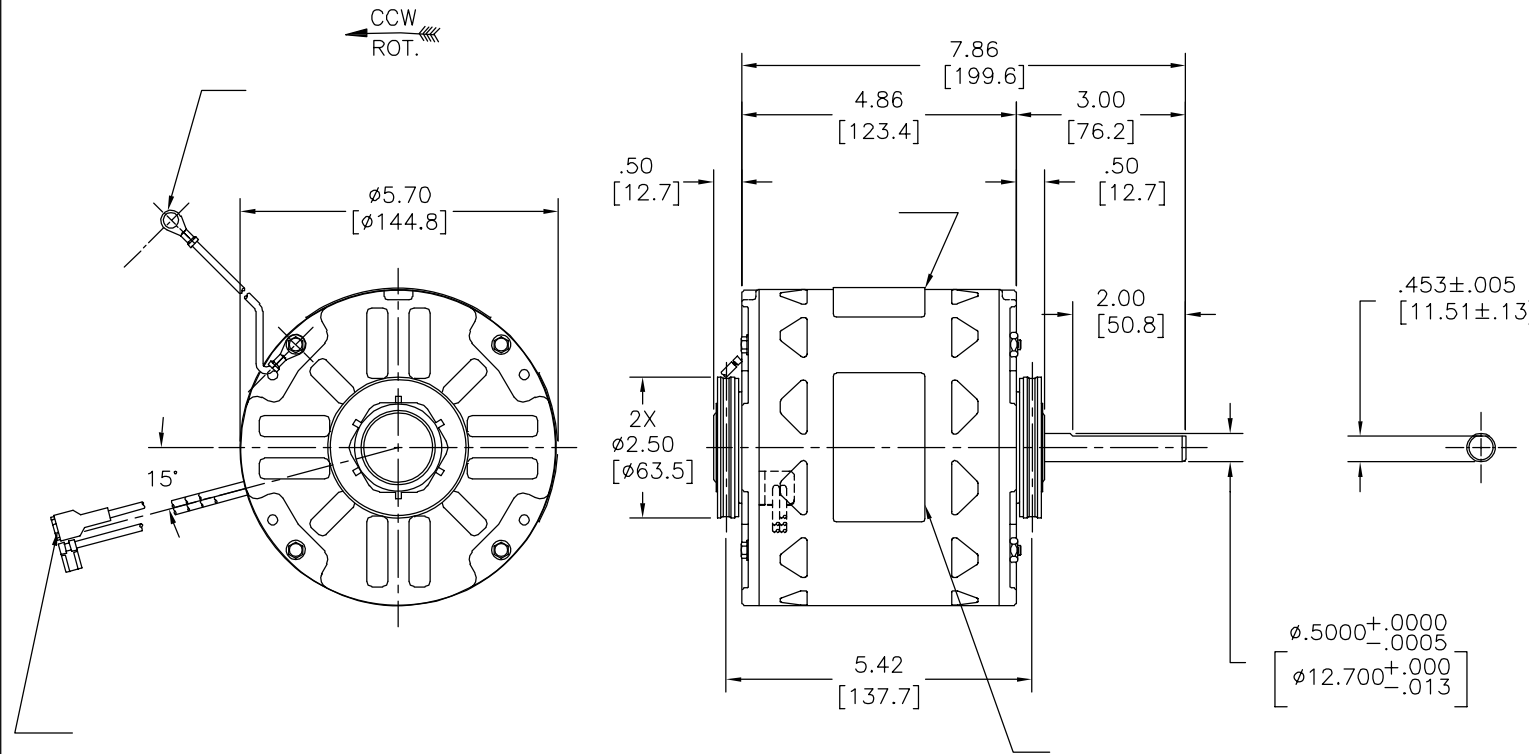


DESCRIPCION: MODEL-RFHP-48FR OUTLINE

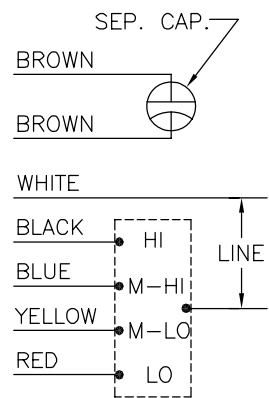
TAMAÑO: C NUMERO DE DIBUJO: OTR1036

ESCALA: NONE HOJA: 1

版本	ECO	编制	日期	批准	日期
B	ECO-0024313	T.HUANG	02-14-2011	B.C.SHEN	02-14-2011



MODEL NO.: F48V75A01
 CUST. P/N: OTR1036
 HP: 1/3
 ROT.: CCWLE
 RPM: 1075/4 SPD.
 TYPE: UF
 FRAME: 48Y
 VOLTS: 115
 PH: 1
 AMPS: 6.8
 HZ: 60
 INS.: B
 AMB.: 40° C
 DUTY: AIR OVER
 CAP.: 10 MFD/370V
 ENCL: OPEN
 UL LOGO
 CSA LOGO
 THERMALLY PROTECTED



614131-088

	5.0/7.0	
	[127/178]	
	13.0/15.0	
	[330/381]	
	13.0/15.0	
	[330/381]	
	23.0/25.0	
	[584/635]	
	23.0/25.0	
	[584/635]	
	23.0/25.0	
	[584/635]	
	23.0/25.0	
	[584/635]	
	23.0/25.0	
	[584/635]	

DISTRIBUTION SERVICE

- 形位公差
- 平面度
- 直线度
- ∠ 倾斜度
- ⊥ 垂直度
- // 平行度
- 圆度
- ⊘ 圆柱度
- ⊖ 面轮廓度
- ⊖ 线轮廓度
- ↗ 圆跳动
- ⊕ 位置度
- ⊙ 同轴度
- ≡ 对称度

ASME Y14.5M 1994

REGAL-BELOIT CORPORATION
 (RBC) 在个别领域为客户
 提供技术支持。鉴于RBC
 未收到任何涉及电机使用和
 应用环境的数据，电机的适用性
 由客户自己决定。

未注公差尺寸仅供参考。

绘图:	T.HUANG	02-14-2011
批准:	B.C.SHEN	02-14-2011
第三角投影		图纸格式发布日期 11-11-2011 图纸格式版本 G

机密：本图纸及相关信息所有权归REGAL-BELOIT CORPORATION。
 未经REGAL-BELOIT CORPORATION书面授权，不得泄露、
 复制、传播或作其他用途。一版权所有

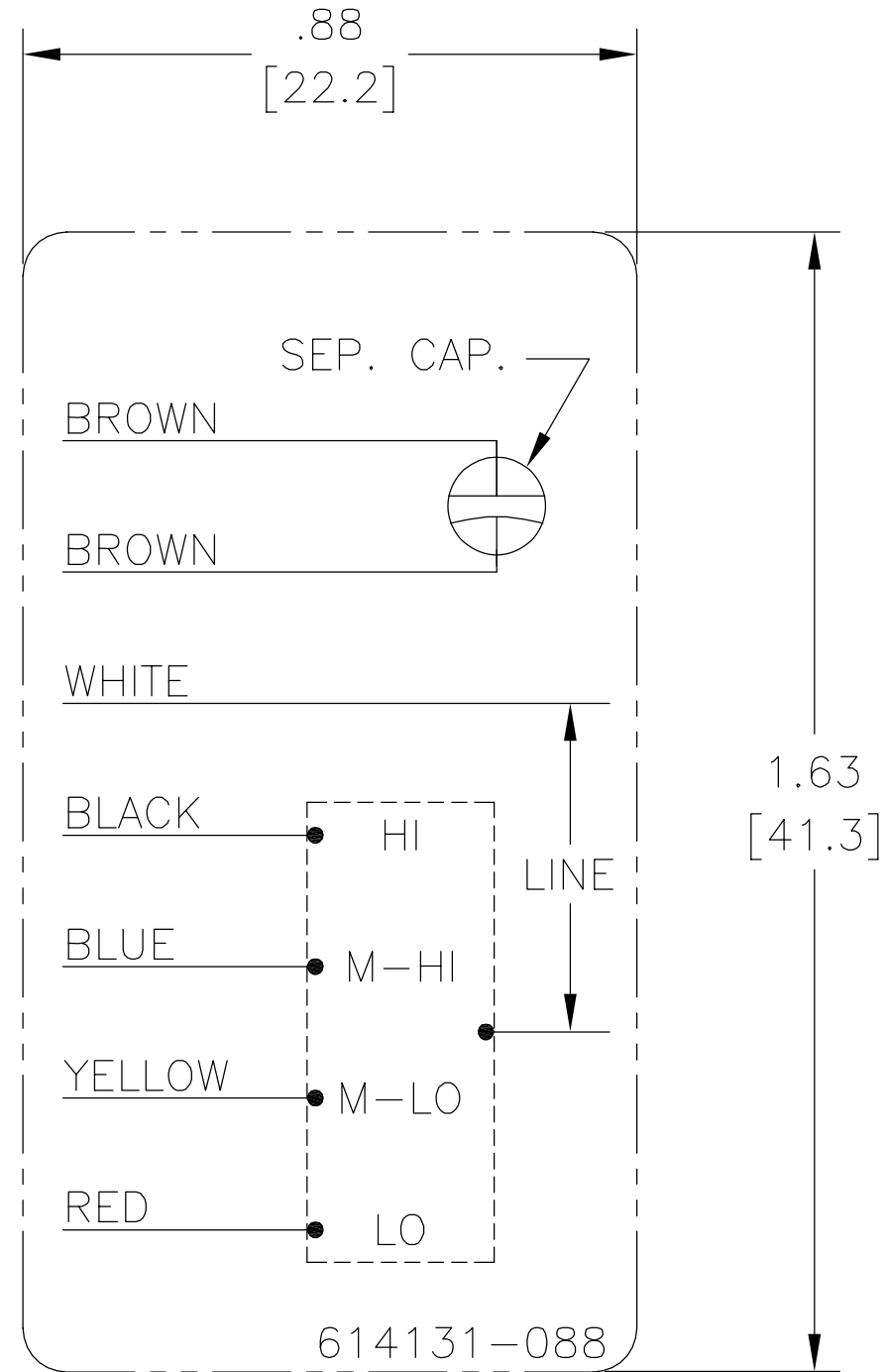


名称
**MODEL-RFHP-48FR
 OUTLINE**

图幅 C 图号
OTR1036

比例 NONE 页号 1

REV	ECO	REV BY	DATE	APPD	DATE
B	ECO-0025630	jrupert	05-04-2012	jrupert	05-04-2012



NOTES:

1. FOR USE WITH 614129 NAMEPLATE BLANK
2. — — — — — INDICATES DIMENSION LIMITS
3. DIE TO BE MADE FROM MASTER SUPPLIED BY A. O. SMITH CORPORATION
4. DIE MUST PRODUCE A LEGIBLE IMPRESSION.

GEOMETRIC CHARACTERISTICS & SYMBOLS

- ▭ FLATNESS
- STRAIGHTNESS
- ∠ ANGULARITY
- ⊥ PERPENDICULARITY (SQUARENESS)
- // PARALLELISM
- ROUNDNESS (CIRCULARITY)
- ⊘ CYLINDRICITY
- △ PROFILE OF ANY SURFACE
- ∩ PROFILE OF ANY LINE
- ↑ RUNOUT
- ⊕ TRUE POSITION
- ◎ CONCENTRICITY
- ≡ SYMMETRY

ASME Y14.5M 1994

UNLESS OTHERWISE SPECIFIED
DIM. TOLERANCES ARE AS FOLLOWS:

INCH	±.1	±.02	±.005	±.0005
mm	±0.5	±0.13	±0.013	

ANG. ±.50 DEG

REMOVE BURRS & BREAK SHARP EDGES:
INCH .003-.015 mm 0.1-0.4

CORNER FILLETS TO:
INCH .020 mm 0.5

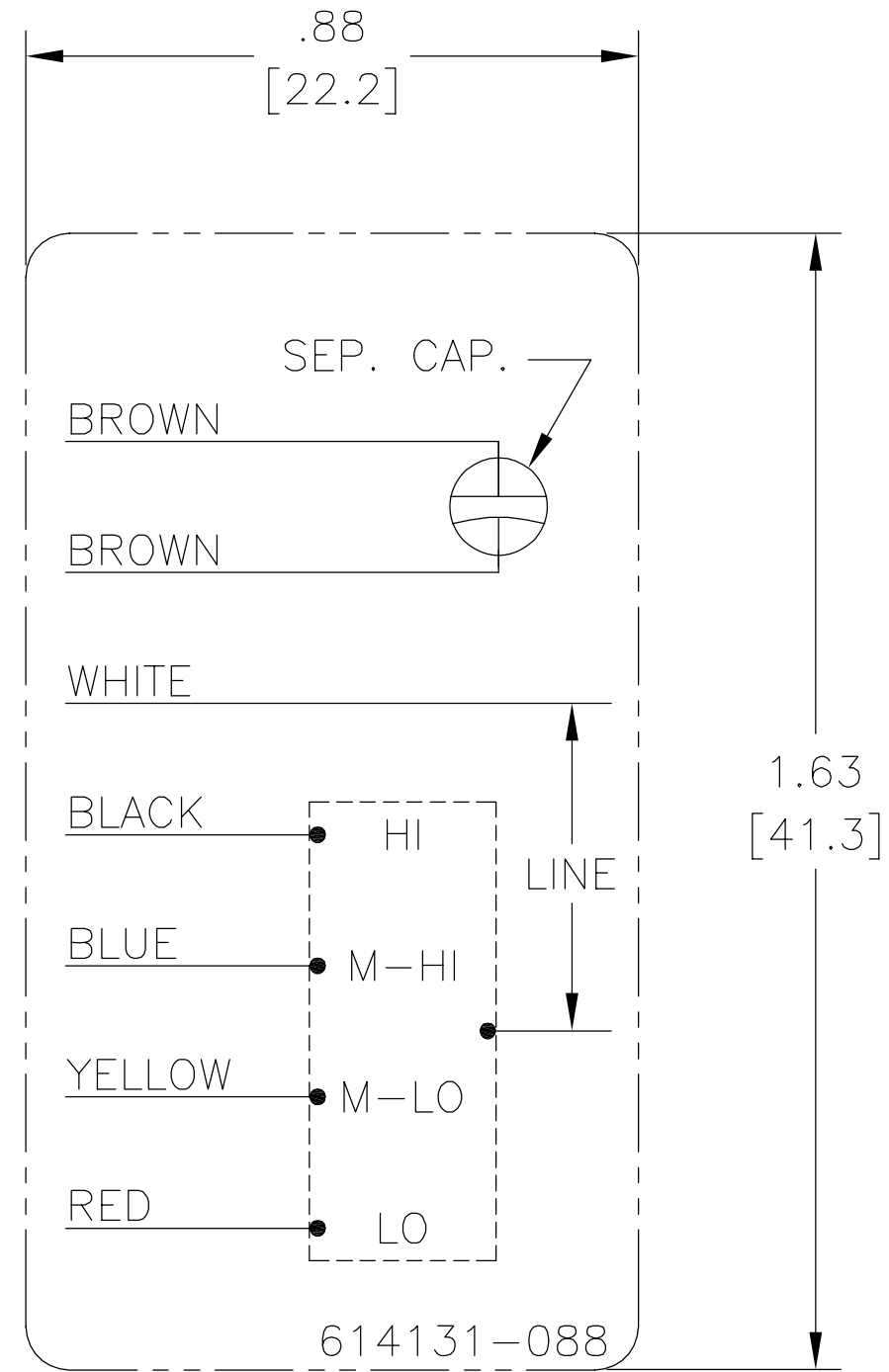
MACHINE SURFACES:
INCH 125 mm 3.2

METRIC DIMS. SHOWN IN [BRACKETS]

DR BY:	jrupert	05-04-2012
APPD:	jrupert	05-04-2012
THIRD ANGLE PROJECTION		EDS DATE 11-11-2011 FORMAT REV G
CONFIDENTIAL: THIS DRAWING AND ITS INFORMATION ARE THE EXCLUSIVE AND CONFIDENTIAL PROPERTY OF REGAL-BELOIT CORPORATION AND ARE NOT TO BE DISCLOSED, DUPLICATED, DISTRIBUTED OR OTHERWISE USED WITHOUT THE WRITTEN CONSENT OF REGAL-BELOIT CORPORATION. -ALL RIGHTS RESERVED.		

DESCRIPTION CONN DIAGRAM NAMEPLATE	
SIZE A	DWG NO 614131-088
SCALE NONE	SHEET 1

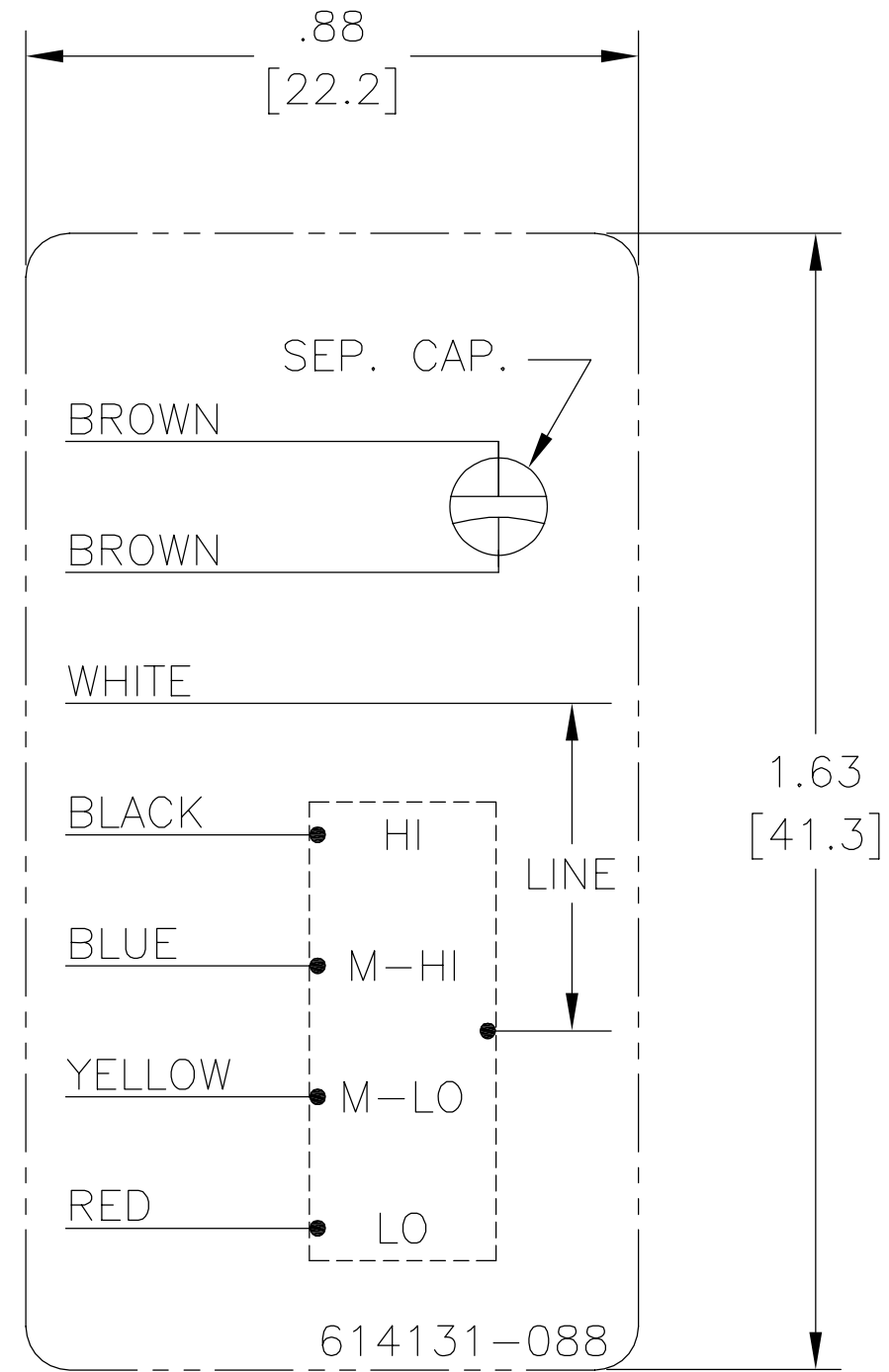
REVISION:	ECO	REVISADO POR:	FECHA:	APROBADO POR:	FECHA:
B	ECO-0025630	jrupert	05-04-2012	jrupert	05-04-2012



- NOTES:
1. FOR USE WITH 614129 NAMEPLATE BLANK
 2. — — — — — INDICATES DIMENSION LIMITS
 3. DIE TO BE MADE FROM MASTER SUPPLIED BY A. O. SMITH CORPORATION
 4. DIE MUST PRODUCE A LEGIBLE IMPRESSION.

CARACTERISTICAS DE GEOMETRIA Y SIMBOLOS ▽ PLANICIDAD — RECTITUD < ANGULARIDAD ⊥ PERPENDICULARIDAD (A ESCUADRA) // PARALELISMO ○ REDONDEZ (CIRCULARIDAD) ∅ CILINDRICIDAD △ PERFIL DE CUALQUIER SUPERFICIE ∩ PERFIL DE CUALQUIER LINEA ↑ VARIACION ⊕ POSICION REAL ⊙ CONCENTRICIDAD = SIMETRIA	A MENOS QUE SE ESPECIFIQUE DE OTRA MANERA, LAS TOLERANCIAS DE LAS DIMS; SON LAS SIGUIENTES: X XX XXX XXXX PULG ±.1 ±.02 ±.005 ±.0005 mm ±0.5 ±0.13 ±0.013 ANG. ±.50 GRADOS ELIMINAR REBABAS Y ORILLAS FILOSAS DEL BORDE. PULG .003-.015 mm 0.1-0.4 FILETEAR ESQUINA: PULG .020 mm 0.5 MAQUINAR SUPERFICIES PULG 125 mm 3.2	DIBUJADO POR: jrupert 05-04-2012	REGAL-BELOIT CORPORATION DESCRIPCION: CONN DIAGRAM NAMEPLATE TAMAÑO: A NUMERO DE DIBUJO: 614131-088 ESCALA: NONE HOJA: 1
	TERCER ANGULO DE PROYECCION FECHA EDS: 11-11-2011 REV. FORMATO: G	APROBADO POR: jrupert 05-04-2012	
	CONFIDENCIAL: ESTE DIBUJO Y SU INFORMACION SON PROPIEDAD DE USO EXCLUSIVO Y CONFIDENCIAL DE REGAL-BELOIT CORPORATION Y NO DEBERAN SER REVELADOS, DUPLICADOS, DISTRIBUIDOS O USARSE DE OTRA MANERA SIN EL CONSENTIMIENTO ESCRITO DE REGAL-BELOIT CORPORATION.-TODOS LOS DERECHOS RESERVADOS.	DIMS METRICAS MOSTRADAS [PARENTESIS]	
	ASME Y14.5M 1994		

版本	ECO	编制	日期	批准	日期
B	ECO-0025630	jrupert	05-04-2012	jrupert	05-04-2012



NOTES:

1. FOR USE WITH 614129 NAMEPLATE BLANK
2. — — — — — INDICATES DIMENSION LIMITS
3. DIE TO BE MADE FROM MASTER SUPPLIED BY A. O. SMITH CORPORATION
4. DIE MUST PRODUCE A LEGIBLE IMPRESSION.

形位公差 □ 平面度 — 直线度 ∠ 倾斜度 ⊥ 垂直度 // 平行度 ○ 圆度 ⊘ 圆柱度 △ 面轮廓度 ∩ 线轮廓度 ↗ 圆跳动 ⊕ 位置度 ◎ 同轴度 ≡ 对称度	除另有注明 尺寸公差如下: 英寸 X XX XXX XXXX ±.1 ±.02 ±.005 ±.0005 毫米 ±0.5 ±0.13 ±0.013 角度 ±.50 度 清理毛刺和尖棱 英寸 .003-.015 毫米 0.1-0.4 内圆角 英寸 .020 毫米 0.5 表面粗糙度 英制 125 米制 3.2 米制尺寸显示在 []
---	--

绘图:	jrupert	05-04-2012
批准:	jrupert	05-04-2012
第三角投影		图纸格式发布日期 11-11-2011 图纸格式版本 G
机密: 本图纸及相关信息所有权归REGAL-BELOIT CORPORATION 未经REGAL-BELOIT CORPORATION书面授权, 不得泄露、 复制、传播或作其他用途。--版权所有		

		名称	CONN DIAGRAM NAMEPLATE
图幅	A	图号	614131-088
比例	NONE	页号	1