





**Nameplate Specifications**

Output HP	1/8 Hp	Output KW	0.10 kW
Frequency	60 Hz	Voltage	208-240 V
Current	0.8-0.9 A	Speed	1550 rpm
Service Factor	1	Phase	1
Duty	Air Over	Insulation Class	A
Frame	42Y	Enclosure	Totally Enclosed Air Over
Thermal Protection	Automatic	Ambient Temperature	40 °C
UL	Recognized	CSA	Y
CE	N	Number of Speeds	1

**Technical Specifications**

Electrical Type	Permanent Split Capacitor	Starting Method	Across The Line
Poles	4	Rotation	Counterclockwise Lead End
Mounting	Extended Studs	Motor Orientation	Vertical Shaft Up
Drive End Bearing	Sleeve	Opp Drive End Bearing	Sleeve
Frame Material	Na	Shaft Type	Flat
Overall Length	6.75 in	Shaft Diameter	0.500 in
Shaft Extension	3.2 in		
Outline Drawing	OTR4513-S01		

This is an uncontrolled document once printed or downloaded and is subject to change without notice. Date Created:11/14/2021

4

3

2

1

REV	ECO	REV BY	DATE	APPD	DATE
C	0026414	L. BERNAL	05-28-2012	M. AVILA	05-28-2012

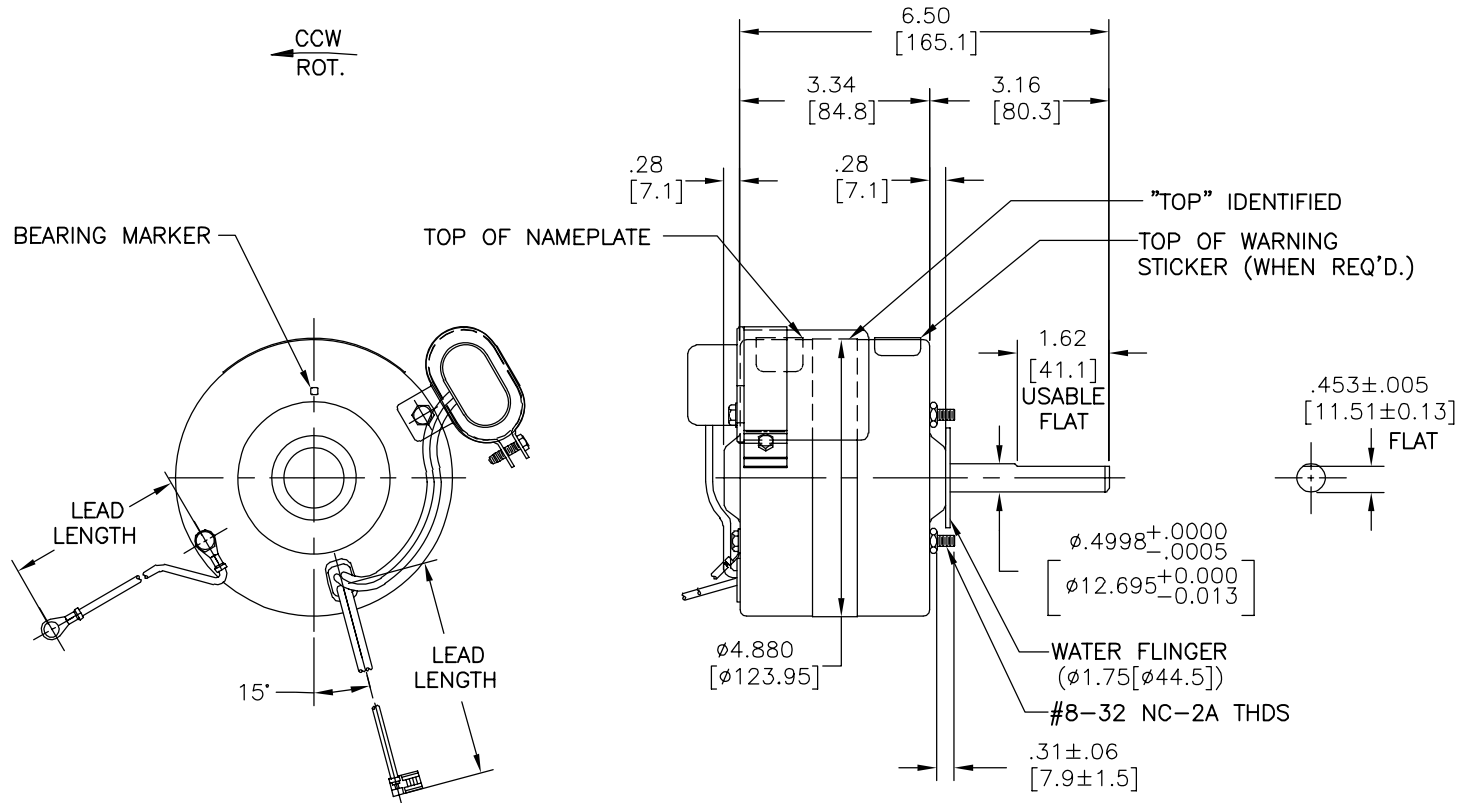
GENERAL INFORMATION:

SHAFT RUNOUT: .001[.03] T.I.R. PER INCH LENGTH OF EXTENSION.  
 END PLAY: .010[.25] TO .063[1.60]  
 BEARINGS: SLEEVE  
 MOUNTING POSITION: VERTICAL SHAFT-UP

ELECTRICAL DATA:

OVERLOAD PROTECTOR: AUTOMATIC RESET (T.I. 7AM 034)  
 LINE LEADS: NO. 18 GA., .06[1.5] THK., EPDM 125°C INSUL.  
 GROUND LEAD: NO. 18 GA., .03[.8] THK., GREEN INSUL.

SEE NOTE 1



COLOR	LENGTH	TERMINAL OR STRIP LENGTH
GREEN (GRD)	14.00/16.00 [355.6/406.4]	.25[6.4] RING
BROWN	CONNECTED TO CAPACITOR	.25[6.4] FLAG
BROWN/WHITE	CONNECTED TO CAPACITOR	.25[6.4] FLAG
BLACK	34.00/37.00 [863.6][939.8]	.25[6.4] FLAG
PURPLE	34.00/37.00 [863.6][939.8]	.25[6.4] FLAG
LEAD DATA		

NOTE:  
 1. DISTRIBUTION PART NUMBER: OTR4513  
 GRAINGER PART NUMBER: 4UY73

NAMEPLATE DATA:	EXTERNAL CONNECTION DIAGRAM
MODEL: 322P811 CUST. P/N: [ ] HP: 1/8 ROT: CCWLE RPM: 1550 TYPE: FLL FRAME: 42Y VOLTS: 208-240 PH: 1 AMPS: 0.8-0.9 HZ: 60 INS: A AMB: 40°C DUTY: AIR OVER CAP.: 4 MFD/370 V UL & CSA LOGO THERMALLY PROTECTED TYPE C	

MAIN FR.-OLE	ENCLOSED
END FR.-OLE	ENCLOSED
MAIN FR.-LE	ENCLOSED
END FR.-LE	ENCLOSED
ENCLOSURE	

CUST.	DISTRIBUTION SERVICES
ORIGINAL SPEC.	11867-002

PREFORMANCE CURVE NO.	TORQUE @ 1100 RPM (25°C)	APPROVED SAMPLE	UL COMPONENT FILE#	GUIDE#	CSA FILE#	GUIDE#
C30812	6.9 OZ. FT.	99AE838	E46412	PRGY2	LR43341	260-φ-0

GEOMETRIC CHARACTERISTICS & SYMBOLS  
 ▽ FLATNESS  
 - STRAIGHTNESS  
 < ANGLARITY  
 ⊥ PERPENDICULARITY (SQUARENESS)  
 // PARALLELISM  
 ○ ROUNDNESS (CIRCULARITY)  
 ∅ CYLINDRICITY  
 △ PROFILE OF ANY SURFACE  
 ∩ PROFILE OF ANY LINE  
 ↑ RUNOUT  
 ⊕ TRUE POSITION  
 ⊙ CONCENTRICITY  
 = SYMMETRY  
 ASME Y14.5M 1994

REGAL-BELOIT CORPORATION (RBC) PROVIDES TECHNICAL ASSISTANCE TO OUR CUSTOMERS IN SEVERAL AREAS. SINCE RBC DOES NOT RECEIVE ALL DATA CONCERNING THE USE AND APPLICATION OF THE MOTOR, THE SUITABILITY OF THE MOTOR FOR THE APPLICATION MUST BE DETERMINED BY THE CUSTOMER.  
 DIMENSIONS WITHOUT TOLERANCES ARE FOR REFERENCE ONLY.

DR BY: ANDERSON 04-02-1996  
 APPD: W.J. WA 05-24-1996  
 THIRD ANGLE PROJECTION  
 EDS DATE 11-11-2011  
 FORMAT REV G  
 CONFIDENTIAL: THIS DRAWING AND ITS INFORMATION ARE THE EXCLUSIVE AND CONFIDENTIAL PROPERTY OF REGAL-BELOIT CORPORATION AND ARE NOT TO BE DISCLOSED, DUPLICATED, DISTRIBUTED OR OTHERWISE USED WITHOUT THE WRITTEN CONSENT OF REGAL-BELOIT CORPORATION. -ALL RIGHTS RESERVED.

DESCRIPTION	
MODEL-RFHP-42FR OUTLINE	
SIZE C	DWG NO OTR4513
SCALE NONE	SHEET 1

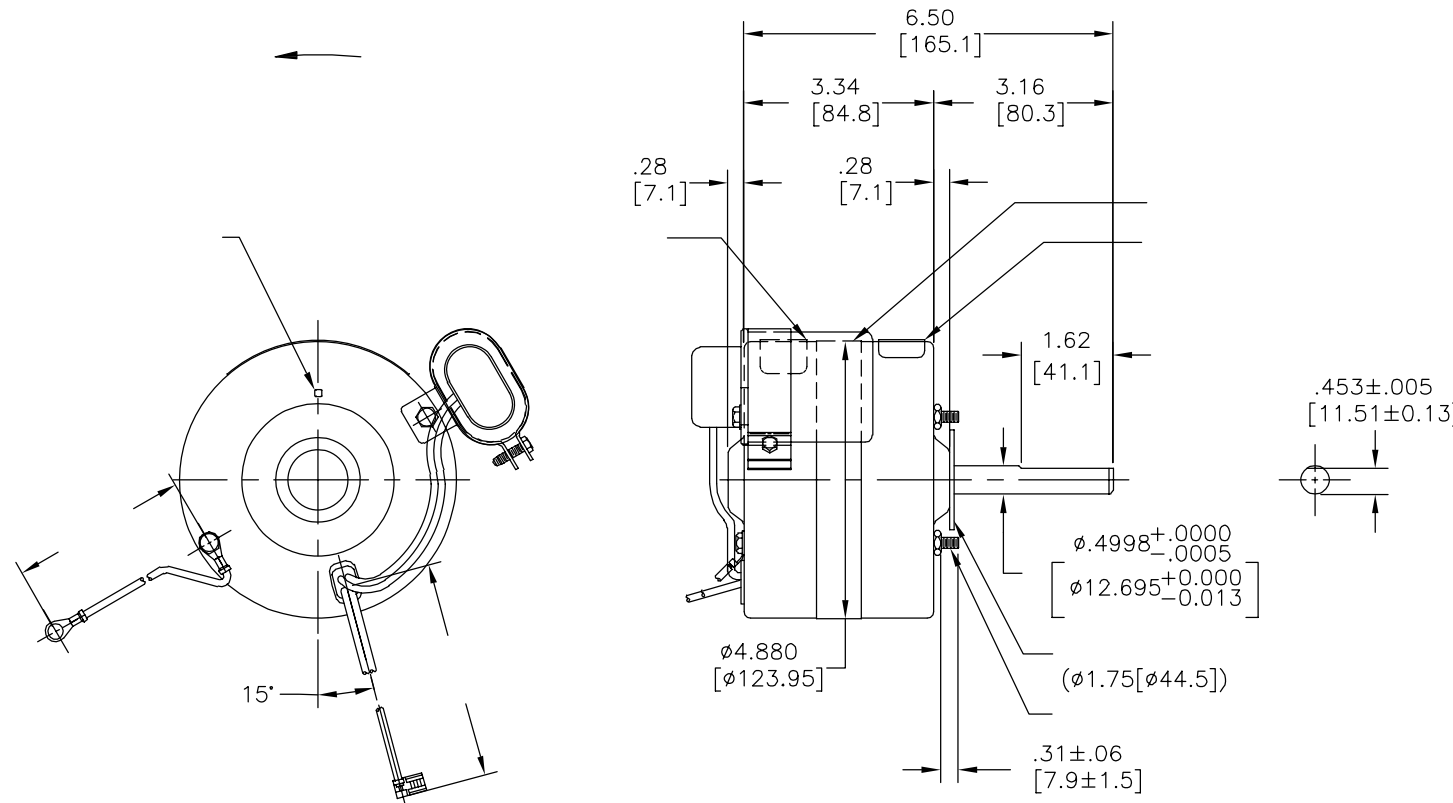
4

3

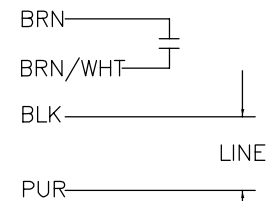
2

1

REVISION:	ECO	REVISADO POR:	FECHA:	APROBADO POR:	FECHA:
C	0026414	L. BERNAL	05-28-2012	M. AVILA	05-28-2012



MODEL: 322P811  
 CUST. P/N: [ ]  
 HP: 1/8  
 ROT: CCWLE  
 RPM: 1550  
 TYPE: FLL  
 FRAME: 42Y  
 VOLTS: 208-240  
 PH: 1  
 AMPS: 0.8-0.9  
 HZ: 60  
 INS: A  
 AMB: 40°C  
 DUTY: AIR OVER  
 CAP.: 4 MFD/370 V  
 UL & CSA LOGO  
 THERMALLY PROTECTED  
 TYPE C



	14.00/16.00 [355.6/406.4]	.25[6.4]
		.25[6.4]
		.25[6.4]
	34.00/37.00 [863.6][939.8]	.25[6.4]
	34.00/37.00 [863.6][939.8]	.25[6.4]


DISTRIBUTION SERVICES
11867-002

C30812	6.9 OZ. FT.	99AE838	E46412	PRGY2	LR43341	260-0-0
--------	-------------	---------	--------	-------	---------	---------

CARACTERISTICAS DE GEOMETRIA Y SIMBOLOS  
 ▽ PLANICIDAD  
 - RECTITUD  
 < ANGULARIDAD  
 ⊥ PERPENDICULARIDAD (A ESCUADRA)  
 // PARALELISMO  
 ○ REDONDEZ (CIRCULARIDAD)  
 ∅ CILINDRICIDAD  
 △ PERFIL DE CUALQUIER SUPERFICIE  
 ∩ PERFIL DE CUALQUIER LINEA  
 ↗ VARIACION  
 ⊕ POSICION REAL  
 ⊙ CONCENTRICIDAD  
 = SIMETRIA  
 ASME Y14.5M 1994

REGAL-BELOIT CORPORATION (RBC) PROVEE ASISTENCIA TECNICA A NUESTROS CLIENTES EN VARIAS AREAS. DESDE QUE RBC NO RECIBE TODOS LOS DATOS EN RELACION AL USO Y A LA APLICACION DEL MOTOR, LA APLICACION ADECUADA DEL MOTOR DEBE SER DETERMINADA POR EL CLIENTE.

DIMENSIONES SIN TOLERANCIA SON DE REFERENCIA SOLAMENTE

DIBUJADO POR: ANDERSON

04-02-1996

APROBADO POR: W.J. WA

05-24-1996

TERCER ANGULO DE PROYECCION



FECHA EDS: 11-11-2011

REV. FORMATO: G

CONFIDENCIAL: ESTE DIBUJO Y SU INFORMACION SON PROPIEDAD DE USO EXCLUSIVO Y CONFIDENCIAL DE REGAL-BELOIT CORPORATION. Y NO DEBERAN SER REVELADOS, DUPLICADOS, DISTRIBUIDOS O USARSE DE OTRA MANERA SIN EL CONSENTIMIENTO ESCRITO DE REGAL-BELOIT CORPORATION. -TODOS LOS DERECHOS RESERVADOS.



DESCRIPCION:

MODEL-RFHP-42FR  
 OUTLINE

TAMAÑO: C

NUMERO DE DIBUJO: OTR4513

ESCALA: NONE

HOJA: 1

4

3

2

1

版本	ECO	编制	日期	批准	日期
C	0026414	L. BERNAL	05-28-2012	M. AVILA	05-28-2012

总要求:

轴跳动: .001/1 [.03/25.4] (外伸轴)

端部窜动量: .010 - .063 [.25 - 1.60]

轴承: 含油轴承

安装位置: 轴垂直向上

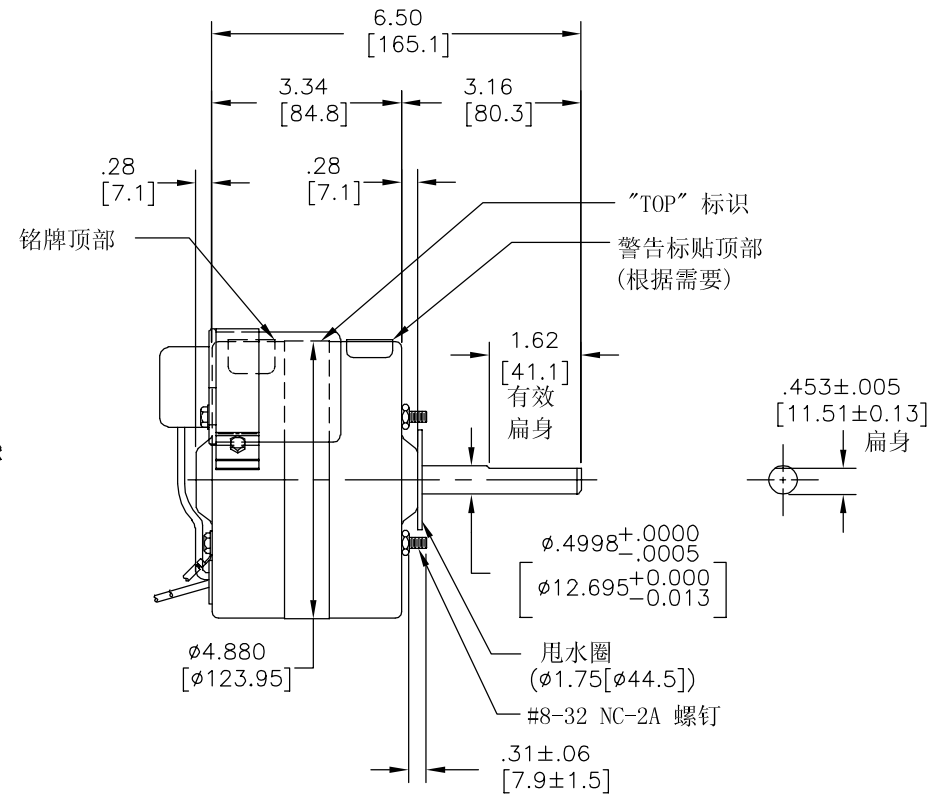
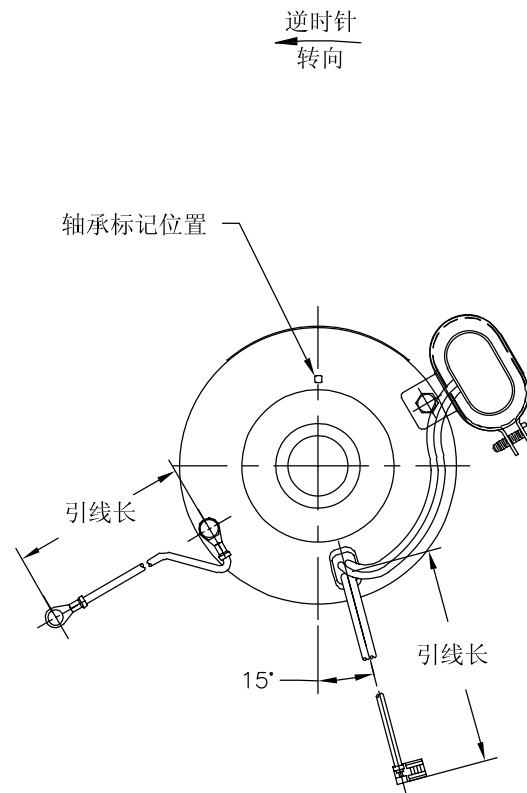
电气数据:

过载保护: 自动复位 (T. I. 7AM 034)

引线: 18 GA., .06[1.5] 厚. EPDM 125° C 绝缘

接地线: 18 GA., .03 [.8] 厚. (绿色) 绝缘

见技术要求 1



技术要求:

- 分销电机型号: OTR4513  
GRAINGER 电机型号: 4UY73

颜色	长度	端子或剥线长度
绿色 (接地)	14.00/16.00 [355.6/406.4]	.25[6.4] 金属圈
棕色	连接电容	.25[6.4] 旗形插
棕色/白色	连接电容	.25[6.4] 旗形插
黑色	34.00/37.00 [863.6][939.8]	.25[6.4] 旗形插
紫色	34.00/37.00 [863.6][939.8]	.25[6.4] 旗形插

开启方式	
非引线端机壳	密封
非引线端端盖	密封
引线端机壳	密封
引线端端盖	密封

用户	DISTRIBUTION SERVICES
原始参考图	11867-002

铭牌数据	外部连接详图
MODEL: 322P811 CUST. P/N: [ ] HP: 1/8 ROT: CCWLE RPM: 1550 TYPE: FLL FRAME: 42Y VOLTS: 208-240 PH: 1 AMPS: 0.8-0.9 HZ: 60 INS: A AMB: 40°C DUTY: AIR OVER CAP.: 4 MFD/370 V UL & CSA LOGO THERMALLY PROTECTED TYPE C	

性能曲线编号	转矩在1100RPM (25° C)	批准样品	UL部件			
			文件号	指南	文件号	指南
C30812	6.9 OZ. FT.	99AE838	E46412	PRGY2	LR43341	260-φ-0

- 形位公差
- 平面度
- 直线度
- ∠ 倾斜度
- ⊥ 垂直度
- // 平行度
- 圆度
- ⊘ 圆柱度
- ⊖ 面轮廓度
- ⌒ 线轮廓度
- ↗ 圆跳动
- ⊕ 位置度
- ⊙ 同轴度
- ≡ 对称度

ASME Y14.5M 1994

REGAL-BELOIT CORPORATION (RBC) 在个别领域为客户提供技术支持。鉴于RBC未收到任何涉及电机使用和应用环境的数据，电机的适用性由客户自己决定。

未注公差尺寸仅供参考。

绘图:	ANDERSON	04-02-1996
批准:	W.J. WA	05-24-1996
第三角投影		图纸格式发布日期 11-11-2011 图纸格式版本 G
机密: 本图纸及相关信息所有权归REGAL-BELOIT CORPORATION。未经REGAL-BELOIT CORPORATION书面授权, 不得泄露、复制、传播或作其他用途。—版权所有		

名称 MODEL-RFHP-42FR OUTLINE	
图幅 C	图号 OTR4513
比例 NONE	页号 1

4

3

2

1