

PRODUCT INFORMATION PACKET



Model No: OWR1016
Catalog No: OWR1016
1/6 HP OEM Replacement Motor, 1100 RPM, 3 Speed, 208-230 Volts, 48 Frame, Semi Enclosed
OEM Replacement Motors



Regal and Century are trademarks of Regal Rexnord Corporation or one of its affiliated companies.
©2021 Regal Rexnord Corporation, All Rights Reserved. MC017097E





Nameplate Specifications

Output HP	1/6 Hp	Output KW	0.13 kW
Frequency	60 Hz	Voltage	208-230 V
Current	0.9 A	Speed	1100 rpm
Service Factor	1	Phase	1
Duty	Air Over	Insulation Class	B
Frame	48Y	Enclosure	Semi Enclosed
Thermal Protection	Automatic	Ambient Temperature	60 °C
UL	Recognized	CSA	Y
CE	N	Number of Speeds	3

Technical Specifications

Electrical Type	Permanent Split Capacitor	Starting Method	Across The Line
Poles	6	Rotation	Counterclockwise Lead End
Mounting	Extended Studs	Motor Orientation	Horizontal
Drive End Bearing	Sleeve	Opp Drive End Bearing	Sleeve
Frame Material	Rolled Steel	Shaft Type	Flat
Overall Length	11.00 in	Frame Length	3.25 in
Shaft Diameter	0.500 in	Shaft Extension	4.3 X.5 X2.8 in
Connection Drawing	614131-096	Outline Drawing	11904-003

This is an uncontrolled document once printed or downloaded and is subject to change without notice. Date Created:10/07/2021

4

3

2

1

REV	ECO	REV BY	DATE	APPD	DATE
B	0006008	C. CARRILLO	04-30-2009	M. ARGUELLES	04-30-2009

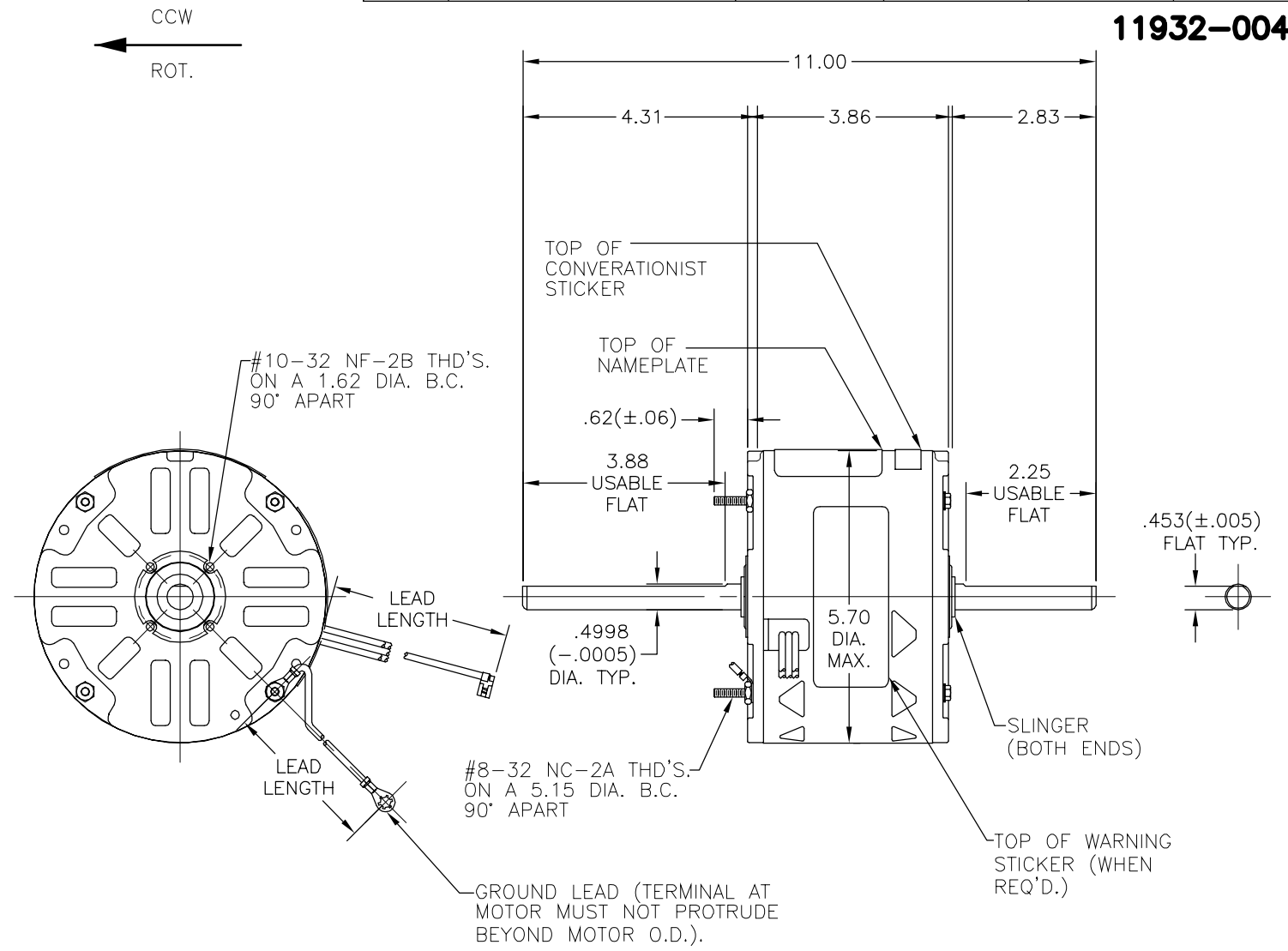
11932-004

GENERAL INFORMATION:

SHAFT RUNOUT: .001 T.I.R. PER INCH LENGTH OF EXTENSION.
 END PLAY: .010 TO .063
 BEARINGS: SLEEVE
 MOUNTING POSITION: HORIZONTAL

ELECTRICAL DATA:

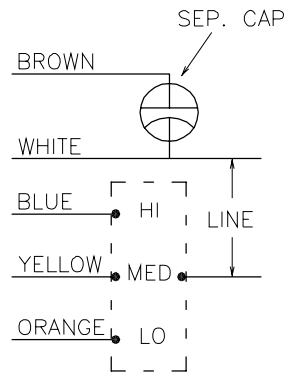
OVERLOAD PROTECTOR: AUTOMATIC RESET (T.I. 7AM 036)
 LEADS: NO. 18 GA., .06 THK., 125°C INSUL.
 GROUND LEAD: NO. 18 GA., .03 THK., (GREEN) INSUL.



NAMEPLATE DATA:

EXTERNAL CONNECTION DIAGRAM

MODEL NO.: F48SE6L13
 CUST. P/N: OWR1016
 HP: 1/6
 ROT.: CCWLE
 RPM: 1100/3 SPD
 TYPE: UF
 FRAME: 48Y
 VOLTS: 208-230
 PH: 1
 AMPS: 0.9 (1.05 MAX.)
 HZ: 60
 INS.: B
 AMB.: 60° C
 DUTY: AIR OVER
 CAP.: 5. MFD/370V
 ENCL: SEMI-ENCL.
 UL LOGO
 CSA LOGO
 THERMALLY PROTECTED



614131-096

GREEN(GRD)	12/13	#10 EYELET
BROWN	41/43	.25 FLAG
WHITE	41/43	.25 FLAG
BLUE	41/43	.25 FLAG
YELLOW	41/43	.25 FLAG
ORANGE	41/43	.25 FLAG
COLOR	LENGTH	TERMINAL OR STRIP LENGTH

MAIN FRAME - OLE	SEMI-ENCLOSED
END FRAME - OLE	OPEN
MAIN FRAME - LE	SEMI-ENCLOSED
END FRAME - LE	OPEN

CUSTOMER	DISTRIBUTION SERVICES
----------	-----------------------

PERFORMANCE CURVE NO.	TORQUE @ RPM (25°C)	APPROVED SAMPLE	UL COMPONENT FILE #	CCN #	CSA FILE #	CLASS #
C23652	12.8 OZ. FT.	EX11526	E46412	PRGY2	LR43341	260-φ-0

GEOMETRIC CHARACTERISTICS & SYMBOLS
 □ FLATNESS
 - STRAIGHTNESS
 < ANGULARITY
 ⊥ PERPENDICULARITY (SQUARENESS)
 // PARALLELISM
 ○ ROUNDNESS (CIRCULARITY)
 ∅ CYLINDRICITY
 △ PROFILE OF ANY SURFACE
 ∩ PROFILE OF ANY LINE
 ↑ RUNOUT
 ⊕ TRUE POSITION
 ⊙ CONCENTRICITY
 = SYMMETRY

A.O. SMITH PROVIDES TECHNICAL ASSISTANCE TO OUR CUSTOMERS IN SEVERAL AREAS. SINCE A.O. SMITH DOES NOT RECEIVE ALL DATA CONCERNING THE USE AND APPLICATION OF THE MOTOR, THE SUITABILITY OF THE MOTOR FOR THE APPLICATION MUST BE DETERMINED BY THE CUSTOMER.

DIMENSIONS WITHOUT TOLERANCES ARE FOR REFERENCE ONLY.

DR BY: RUPERT 05-12-1995
 APPD: TPR 05-16-1995
 THIRD ANGLE PROJECTION

EDS DATE EDS DATE
 FORMAT REV F
 CONFIDENTIAL: THIS DRAWING AND ITS INFORMATION ARE THE EXCLUSIVE AND CONFIDENTIAL PROPERTY OF A.O. SMITH CORP. AND ARE NOT TO BE DISCLOSED, DUPLICATED, DISTRIBUTED OR OTHERWISE USED WITHOUT THE WRITTEN CONSENT OF A.O. SMITH CORP.
 -ALL RIGHTS RESERVED. ASME Y14.5M 1994

ACSmith **ELECTRICAL PRODUCTS COMPANY**
 Innovation has a name. A DIVISION OF A. O. SMITH CORPORATION

DESCRIPTION: OUTLINE
 SIZE: C DWG NO: 11904-003
 SCALE: NONE SHEET: 1

4

3

2

1

4

3

2

1

REVISION:	ECO	REVISADO POR:	FECHA:	APROBADO POR:	FECHA:
B	0006008	C. CARRILLO	04-30-2009	M. ARGUELLES	04-30-2009

11932-004

INFORMACION GENERAL:

OSCILACION DE FLECHA: .001 T.I.R. PER INCH LENGTH OF EXTENSION.

JUEGO AXIAL: .010 TO .063

BALEROS: SLEEVE

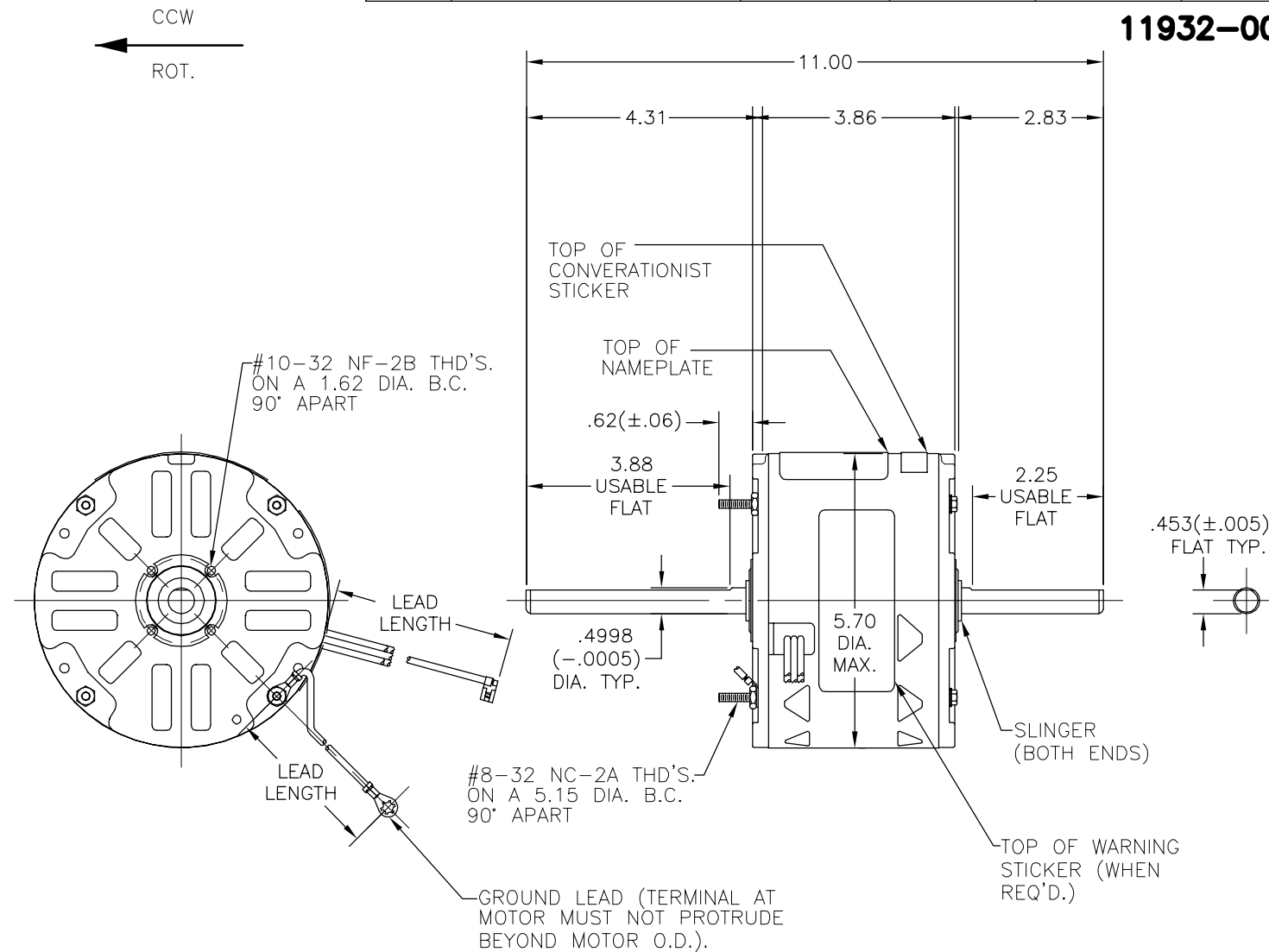
POSICION DEL MONTAJE: HORIZONTAL

INFORMACION ELECTRICA:

PROTECTOR DE SOBRECARGA: AUTOMATIC RESET (T.I. 7AM 036)

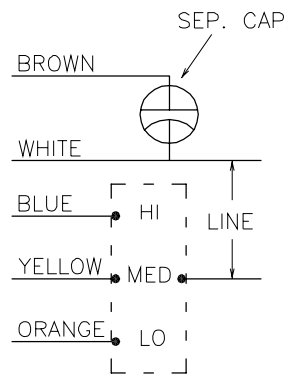
CABLES: NO. 18 GA., .06 THK., 125°C INSUL.

CABLE DE TIERRA: NO. 18 GA., .03 THK., (GREEN) INSUL.



INFORMACION DE ETIQUETA: DIAGRAMA DE CONEXION EXTRNA

MODEL NO.: F48SE6L13
 CUST. P/N: OWR1016
 HP: 1/6
 ROT.: CCWLE
 RPM: 1100/3 SPD
 TYPE: UF
 FRAME: 48Y
 VOLTS: 208-230
 PH: 1
 AMPS: 0.9 (1.05 MAX.)
 HZ: 60
 INS.: B
 AMB.: 60° C
 DUTY: AIR OVER
 CAP.: 5. MFD/370V
 ENCL: SEMI-ENCL.
 UL LOGO
 CSA LOGO
 THERMALLY PROTECTED



614131-096

GREEN(GRD)	12/13	#10 EYELET
BROWN	41/43	.25 FLAG
WHITE	41/43	.25 FLAG
BLUE	41/43	.25 FLAG
YELLOW	41/43	.25 FLAG
ORANGE	41/43	.25 FLAG
COLOR	LONGITUD	TERMINAL O LONGITUD DE DESFORRE

CARCASA - LOC	SEMI-ENCLOSED
TAPA - LOC	OPEN
CARCASA - LC	SEMI-ENCLOSED
TAPA - LC	OPEN

CLIENTE	DISTRIBUTION SERVICES
---------	-----------------------

CURVAS DE FUNCIONAMIENTO	TORSION @ RPM (25°C)	MUESTRA APROBADA	COMPONENTE UL	CSA
C23652	12.8 OZ. FT.	EX11526	#ARCHIVO PRGY2	CLASE # 260-0-0

CARACTERISTICAS DE GEOMETRIA Y SIMBOLOS

- PLANICIDAD
- RECTITUD
- ∠ ANGULARIDAD
- ⊥ PERPENDICULARIDAD (A ESCUADRA)
- // PARALELISMO
- REDONDEZ (CIRCULARIDAD)
- ∅ CILINDRICIDAD
- △ PERFIL DE CUALQUIER SUPERFICIE
- ∩ PERFIL DE CUALQUIER LINEA
- ∧ VARIACION
- ⊕ POSICION REAL
- ⊙ CONCENTRICIDAD
- = SIMETRIA

A.O. SMITH PROVEE ASISTENCIA TECNICA A NUESTROS CLIENTES EN VARIAS AREAS. DESDE QUE A.O. SMITH NO RECIBE TODOS LOS DATOS EN RELACION AL USO Y A LA APLICACION DEL MOTOR, LA APLICACION ADECUADA DEL MOTOR DEBE SER DETERMINADA POR EL CLIENTE.

DIMENSIONES SIN TOLERANCIA SON DE REFERENCIA SOLAMENTE

DIBUJADO POR: RUPERT

APROBADO POR: TPR

TERCER ANGULO DE PROYECCION

05-12-1995

05-16-1995

FECHA EDS: EDS DATE

REV. FORMATO: F

CONFIDENCIAL: ESTE DIBUJO Y SU INFORMACION SON PROPIEDAD DE USO EXCLUSIVO Y CONFIDENCIAL DE A.O. SMITH CORP. Y NO DEBERAN SER REVELADOS, DUPLICADOS, DISTRIBUIDOS O USARSE DE OTRA MANERA SIN EL CONSENTIMIENTO ESCRITO DE A.O. SMITH CORP. -TODOS LOS DERECHOS RESERVADOS. ASME Y14.5M 1994



ELECTRICAL PRODUCTS COMPANY

A DIVISION OF A.O. SMITH CORPORATION

DESCRIPCION:

OUTLINE

TAMAÑO: C NUMERO DE DIBUJO: 11904-003

ESCALA: NONE HOJA: 1

4

3

2

1

4

3

2

1

总技术要求:

轴跳动: .001 T.I.R. PER INCH LENGTH OF EXTENSION.

端部窜动量: .010 TO .063

轴承: SLEEVE

安装位置: HORIZONTAL

电气数据:

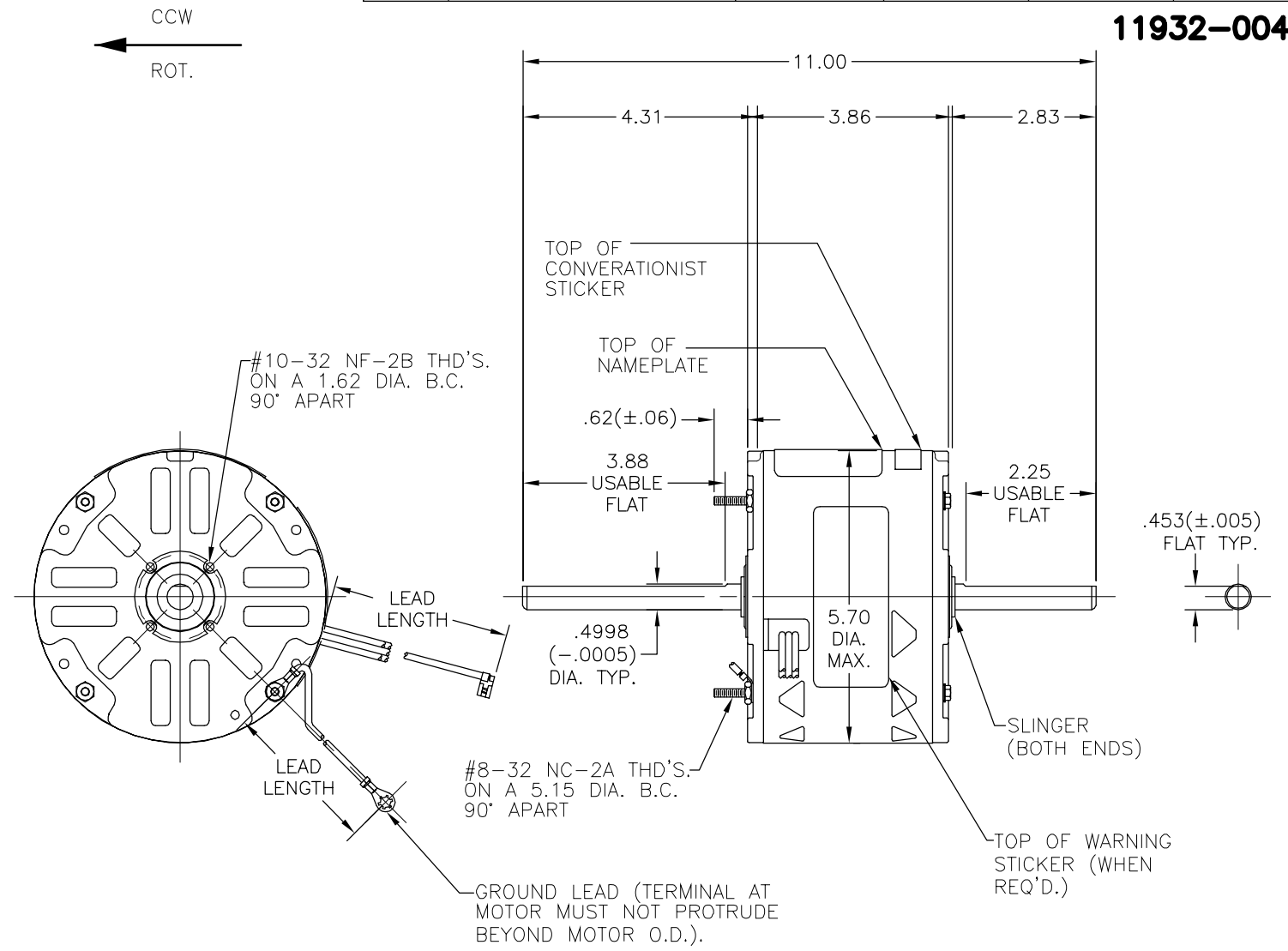
过载保护: AUTOMATIC RESET (T.I. 7AM 036)

引线: NO. 18 GA., .06 THK., 125°C INSUL.

接地线: NO. 18 GA., .03 THK., (GREEN) INSUL.

版本	ECO	编制	日期	批准	日期
B	0006008	C. CARRILLO	04-30-2009	M. ARGUELLES	04-30-2009

11932-004



铭牌数据	外部数据
MODEL NO.: F48SE6L13 CUST. P/N: OWR1016 HP: 1/6 ROT.: CCWLE RPM: 1100/3 SPD TYPE: UF FRAME: 48Y VOLTS: 208-230 PH: 1 AMPS: 0.9 (1.05 MAX.) HZ: 60 INS.: B AMB.: 60° C DUTY: AIR OVER CAP.: 5. MFD/370V ENCL: SEMI-ENCL. UL LOGO CSA LOGO THERMALLY PROTECTED	SEP. CAP. BROWN WHITE BLUE HI LINE YELLOW MED ORANGE LO 614131-096

GREEN(GRD)	12/13	#10 EYELET
BROWN	41/43	.25 FLAG
WHITE	41/43	.25 FLAG
BLUE	41/43	.25 FLAG
YELLOW	41/43	.25 FLAG
ORANGE	41/43	.25 FLAG
颜色	长度	端子或剥线长度

无引线端机壳	SEMI-ENCLOSED
无引线端端盖	OPEN
有引线端机壳	SEMI-ENCLOSED
有引线端端盖	OPEN

用户	DISTRIBUTION SERVICES
----	-----------------------

性能曲线编号	转矩在 @ RPM (25° C)	批准样品	UL部件	CSA
C23652	12.8 OZ. FT.	EX11526	E46412 PRGY2	LR43341 260-0-0

- 形位公差
- 平面度
- 直线度
- ∠ 倾斜度
- ⊥ 垂直度
- // 平行度
- 圆度
- ⊘ 圆柱度
- ⌒ 面轮廓度
- ⌓ 线轮廓度
- ⤴ 圆跳动
- ⊕ 位置度
- ⊙ 同轴度
- ≡ 对称度

A. O. SMITH在个别领域为客户
提供技术支持。鉴于A. O. SMITH
未收到任何涉及电机使用和
应用环境的数据，电机的适用性
由客户自己决定。

未注公差尺寸仅供参考。

绘图:	RUPERT	05-12-1995
批准:	TPR	05-16-1995
第三角投影	⊕	图纸格式发布日期 EDS DATE 图纸格式版本 F
机密: 本图纸及相关信息所有权归A. O. SMITH公司所有。 未经A. O. SMITH公司书面授权，不得泄露、复制、传播或作 其他用途。—版权所有		
ASME Y14.5M 1994		

AC Smith Innovation has a name.		ELECTRICAL PRODUCTS COMPANY A DIVISION OF A. O. SMITH CORPORATION	
名称: OUTLINE			
图幅	C	图号	11904-003
比例	NONE	页号	1

4

3

2

1