

PRODUCT INFORMATION PACKET



Model No: OYK1028

Catalog No: OYK1028

OEM Replacement Motor, 1/4 HP, 1 Ph, 60/50 Hz, 208-230 V, 850 RPM, 1 Speed, 48 Frame, TEAO



Regal and Century are trademarks of Regal Rexnord Corporation or one of its affiliated companies.
©2024 Regal Rexnord Corporation, All Rights Reserved. MC017097E





Nameplate Specifications

Phase	1	Output HP	1/4 Hp
Output KW	0.19 kW	Voltage	208-230 V
Speed	850 rpm	Service Factor	1
Frame	48Y	Enclosure	Totally Enclosed Air Over
Thermal Protection	Automatic	Ambient Temperature	40 °C
Frequency	50 Hz	Current	1.4 A
Duty	Air Over	Insulation Class	B
UL	Recognized	CSA	Y
CE	N	Number of Speeds	1

Technical Specifications

Electrical Type	Permanent Split Capacitor	Starting Method	Across The Line
Poles	8	Rotation	Clockwise Lead End
Mounting	Extended Studs	Motor Orientation	Vertical Shaft Down
Drive End Bearing	Sleeve	Opp Drive End Bearing	Sleeve
Frame Material	Rolled Steel	Shaft Type	Flat
Overall Length	7.98 in	Frame Length	3.81 in
Shaft Diameter	0.500 in	Shaft Extension	3.2 in
Outline Drawing	OYK1028-S01	Connection Drawing	614131-030

This is an uncontrolled document once printed or downloaded and is subject to change without notice. Date Created:11/16/2024

REV	ECO	REV BY	DATE	APPD	DATE
JA	ECR-0238514	ABHI	11-11-2024	KEP	11-11-2024

GENERAL INFORMATION:

SHAFT RUNOUT: .001[.03] T.I.R. PER INCH LENGTH OF EXTENSION.

BEARINGS: BALL
MOUNTING POSITION: VERTICAL SHAFT DOWN

ELECTRICAL DATA:

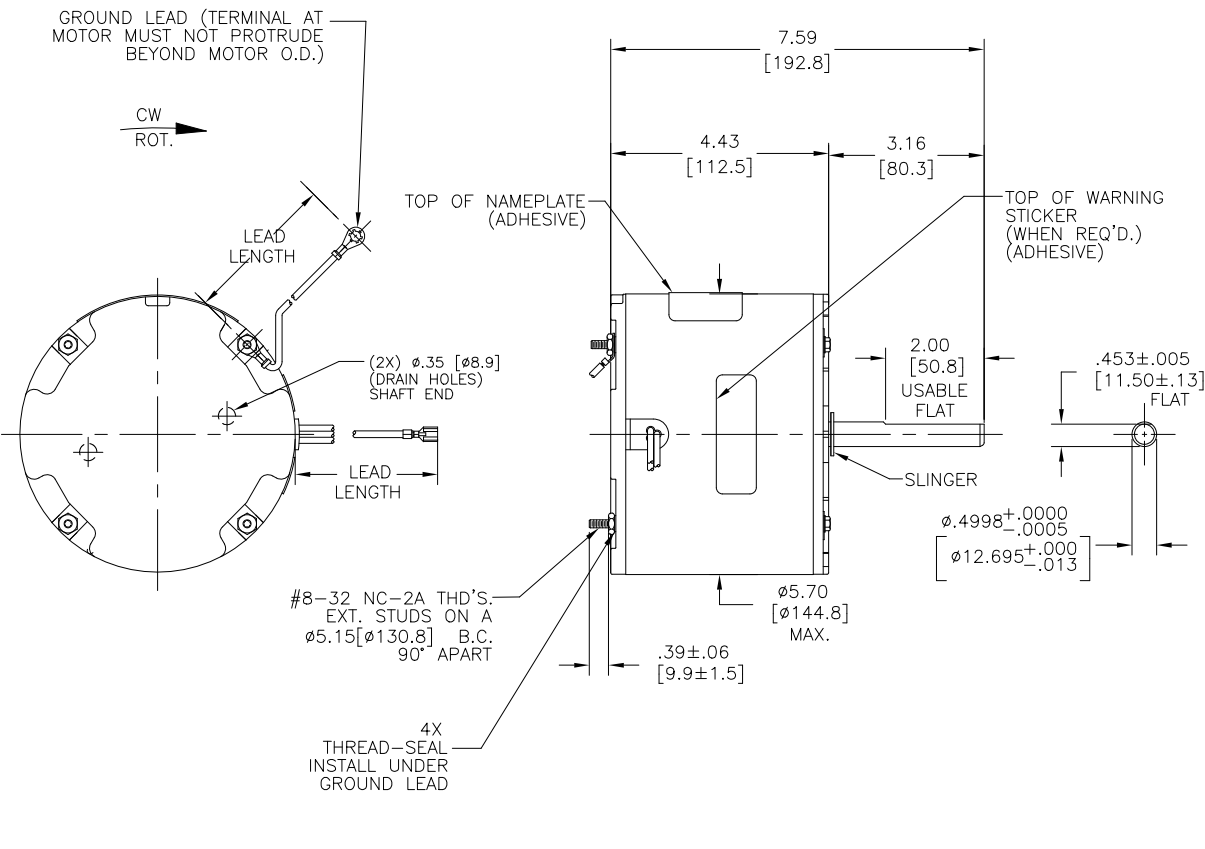
OVERLOAD PROTECTOR: AUTOMATIC RESET (SENSATA 7AM 304)
LEADS: NO. 18 GA., .06[1.5] THK., PVC 105°C INSUL.
GROUND LEAD: NO. 18 GA., .03[.8] THK., (GREEN) INSUL.

NOTES:
1. DISTRIBUTION CUST. P/N: OYK1028
GRAINGER: CUST. P/N: 4UY50

SEE NOTE 1

NAMEPLATE DATA:	EXTERNAL CONNECTION DIAGRAM
MODEL: F48B46A01 CUST. P/N: <input type="checkbox"/> HP: 1/4 ROT: CWLE RPM: 850 TYPE: FLL FRAME: 48Y VOLTS: 208/230 PH: 1 AMPS: 1.4 HZ: 50/60 INS: B AMB: 40°C DUTY: AIR OVER CAP.: 5 MFD/370 V ENCL: ENCLOSED UL LOGO CSA LOGO THERMALLY PROTECTED TYPE C	
	614131-030

PERFORMANCE CURVE NO.	TORQUE @ 825 RPM (25°C)	APPROVED SAMPLE	UL COMPONENT		CSA	
C30974	27.7 OZ. FT.	91AC405A	FILE #	GUIDE #	FILE #	GUIDE #
			E46412	PRGY2	LR43341	260-0-0



COLOR	LENGTH	TERMINAL OR STRIP LENGTH
GREEN (GRD)	56/58[1422/1473]	#10 EYELET
BROWN	66/68[1676/1727]	.25[6.4] FEMALE SPADE
BLACK	74/76[1880/1930]	.25[6.4] FEMALE SPADE
PURPLE	66/68[1676/1727]	.25[6.4] FEMALE SPADE

LEAD DATA												
<table border="1"> <tr> <th>GREEN (GRD)</th> <th>56/58[1422/1473]</th> <th>#10 EYELET</th> </tr> <tr> <th>BROWN</th> <th>66/68[1676/1727]</th> <th>.25[6.4] FEMALE SPADE</th> </tr> <tr> <th>BLACK</th> <th>74/76[1880/1930]</th> <th>.25[6.4] FEMALE SPADE</th> </tr> <tr> <th>PURPLE</th> <th>66/68[1676/1727]</th> <th>.25[6.4] FEMALE SPADE</th> </tr> </table>	GREEN (GRD)	56/58[1422/1473]	#10 EYELET	BROWN	66/68[1676/1727]	.25[6.4] FEMALE SPADE	BLACK	74/76[1880/1930]	.25[6.4] FEMALE SPADE	PURPLE	66/68[1676/1727]	.25[6.4] FEMALE SPADE
GREEN (GRD)	56/58[1422/1473]	#10 EYELET										
BROWN	66/68[1676/1727]	.25[6.4] FEMALE SPADE										
BLACK	74/76[1880/1930]	.25[6.4] FEMALE SPADE										
PURPLE	66/68[1676/1727]	.25[6.4] FEMALE SPADE										

MAIN FRAME - OLE	ENCLOSED
END FRAME - OLE	ENCLOSED
MAIN FRAME - LE	ENCLOSED
END FRAME - LE	ENCLOSED

CUST.	DISTRIBUTION SERVICE
-------	----------------------

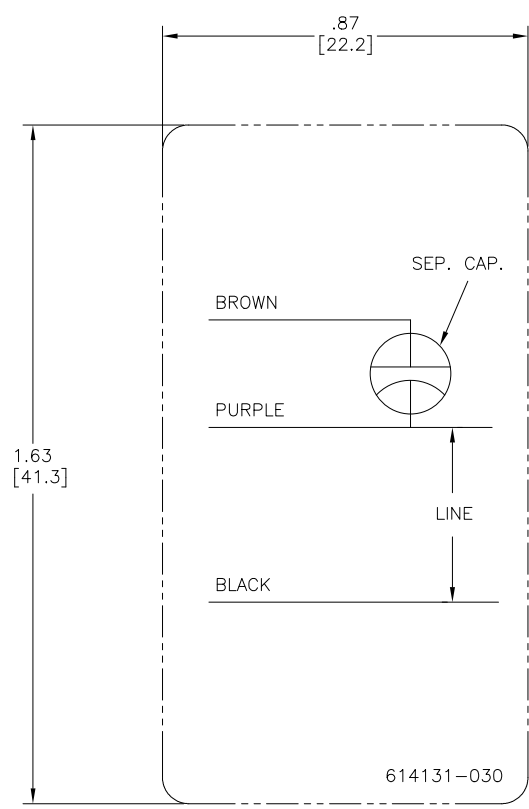
DR BY: RUPERT	03-23-1995
APPD: TPR	03-23-1995
THIRD ANGLE PROJECTION	EDS DATE 11-11-2011 FORMAT REV H

GEOMETRIC CHARACTERISTICS & SYMBOLS
 □ FLATNESS
 — STRAIGHTNESS
 < ANGLARITY
 ⊥ PERPENDICULARITY (SQUARENESS)
 // PARALLELISM
 ○ ROUNDNESS (CIRCULARITY)
 ∅ CYLINDRICITY
 ∩ PROFILE OF ANY SURFACE
 ∩ PROFILE OF ANY LINE
 ∩ RUNOUT
 ⊕ TRUE POSITION
 ⊙ CONCENTRICITY
 = SYMMETRY
 ASME Y14.5M 1994

REGAL-BELOIT CORPORATION (RBC) PROVIDES TECHNICAL ASSISTANCE TO OUR CUSTOMERS IN SEVERAL AREAS. SINCE RBC DOES NOT RECEIVE ALL DATA CONCERNING THE USE AND APPLICATION OF THE MOTOR, THE SUITABILITY OF THE MOTOR FOR THE APPLICATION MUST BE DETERMINED BY THE CUSTOMER.
 DIMENSIONS WITHOUT TOLERANCES ARE FOR REFERENCE ONLY.

CONFIDENTIAL: THIS DRAWING AND ITS INFORMATION ARE THE EXCLUSIVE AND CONFIDENTIAL PROPERTY OF REGAL-BELOIT CORPORATION AND ARE NOT TO BE DISCLOSED, DUPLICATED, DISTRIBUTED OR OTHERWISE USED WITHOUT THE WRITTEN CONSENT OF REGAL-BELOIT CORPORATION. -ALL RIGHTS RESERVED.

REGAL REGAL-BELOIT CORPORATION	
DESCRIPTION MODEL-RFHP-48FR OUTLINE	
SIZE C	DWG NO OYK1028
SCALE NONE	SHEET 1



NOTES:

1. FOR USE WITH 614129 OR 2513020-001 NAMEPLATE BLANKS;
2. - - - - - INDICATES DIMENSION LIMITS

DRAWING REVISION C		REVISION BY J. RUPERT	DATE 03-03-2023	TOLERANCES UNLESS OTHERWISE SPECIFIED		DRAWN BY: YL						
ECO NMR-0220758		APPROVED BY J. RUPERT	DATE 03-03-2023	DEC.	INCH	mm	ANGLE			DATE: 04-08-2011		
ECO DESCRIPTION REVISED FOR UP ISSUE				.X	±0.1	[±2.5]	±0.5°	APPROVED BY: CZ	DESCRIPTION CONN DIAGRAM-NAMEPLATE			
<small> COPYRIGHT REGAL BELOIT AMERICA, INC. ALL RIGHTS RESERVED. PROPRIETARY AND CONFIDENTIAL INFORMATION - THIS DOCUMENT IS THE PROPERTY OF REGAL BELOIT AMERICA, INC. (OWNER) AND COMPANY OWNER'S PROPRIETARY INFORMATION. ANY FURTHER REPRODUCTION OR OTHER FIRM RECEIVING IT IS DENIED. BY RECEIVING IT, TO AGREE THAT IT, AND/OR ANY PART OF IT, SHALL NOT BE DISCLOSED TO ANY PERSON, CORPORATION OR OTHER ENTITY, DUPLICATED, AND/OR USED, EXCEPT AS EXPRESSLY APPROVED IN WRITING IN ADVANCE BY OWNER. THIS DOCUMENT SHALL BE RETURNED TO OWNER UPON REQUEST. IT MAY BE SUBJECT TO CERTAIN RESTRICTIONS UNDER APPLICABLE EXPORT CONTROL LAWS AND REGULATIONS. </small>				.XX	±0.02	[±0.51]		DATE: 07-08-2011	MATERIAL	PROCESS/FINISH		
				.XXX	±0.005	[±0.127]		REFERENCE				
				.XXXX	±0.0005	[±0.0127]		THIRD ANGLE PROJECTION		SIZE	DWG NO	SHEET
										C	614131-030	1

C30974
Table #4

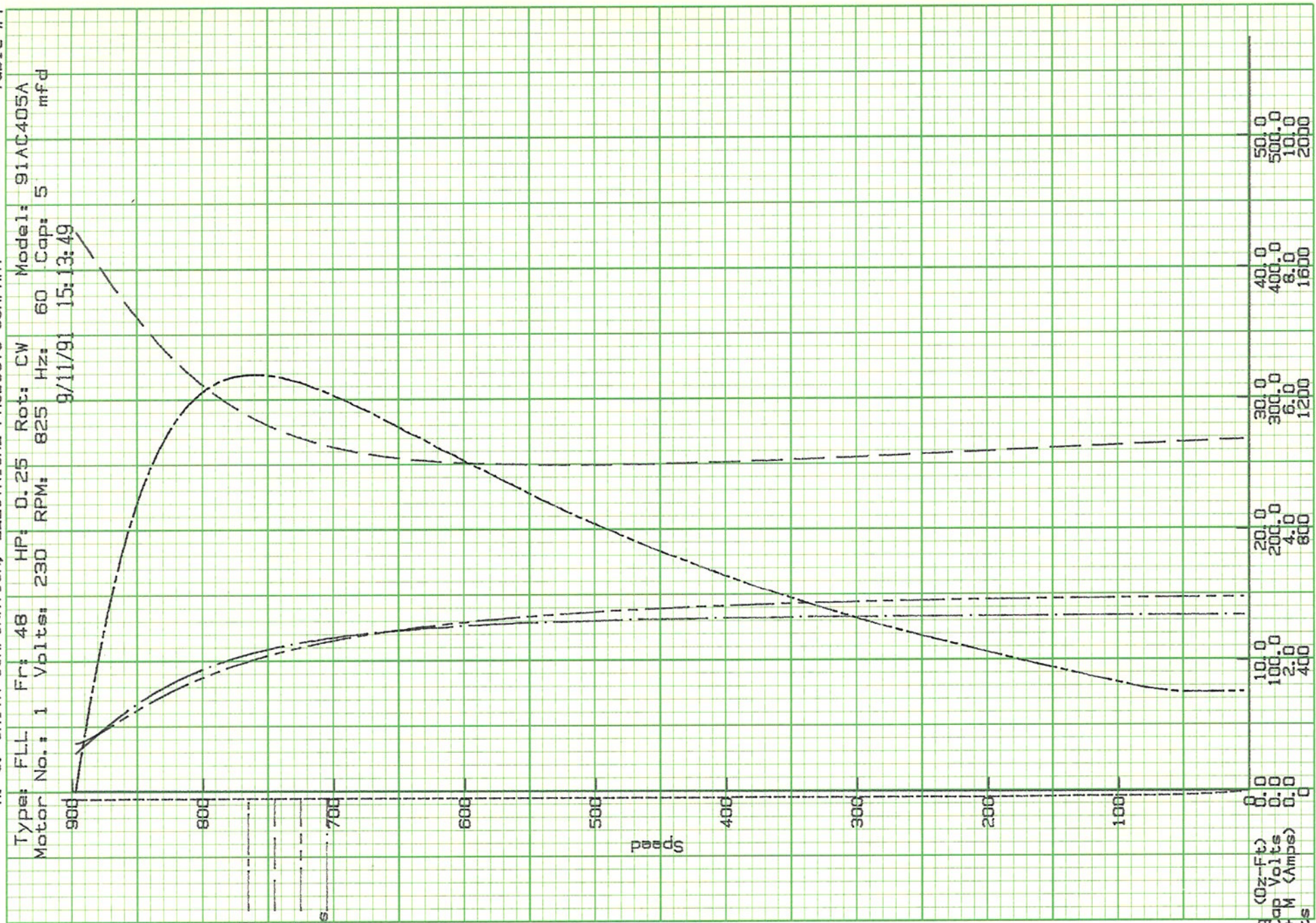
A. O. SMITH CORPORATION, ELECTRICAL PRODUCTS COMPANY

Type: FLL Fr: 48 HP: 0.25 Rot: CW Model: 91AC405A
Motor No.: 1 Vbits: 230 RPM: 825 Hz: 60 Cap: 5 mfd
9/11/91 15:13:49

C-91AC405A
C30974

Torq
V C
Amps
Watts

Torq (Oz-ft)
Ph/Cap
Volts
Ln + M
Watts





Specification & Rating Report

Item Number: **OYK1028**

Specification Number: **1**

Model Number: **F48B46A01**

Sample Number:

Carton Label Model
Number:

Customer Specification
Number:

Customer Model
Number:

Catalog Number: **OYK1028**

Agency Type:

CE: **N**

CE Number:

CSA: **Y**

CSA Number: **NO**

UL: **Y**

UL Number: **NO**

UL Explosion Proof Rating:

Cubic Feet Per Minute:

F2 Assembly:

UPC Model Number:

UPC Catalog Number: **786674028716**

Nameplate Drive
Bearing Type:

Label Drive Bearing **BALL**
Type:

Nameplate Opposite
Drive Bearing Type:

Label Opposite Drive **BALL**
Bearing Type:

Capacitor:

Capacitor Included: **N**

Capacitor Rating MFD: **5**

Capacitor Rating VAC: **370**

Control Code:

Design Status:

DC Design Number:

Features:

Form Factor:

Connection Diagram:

Installation Diagram:

Lubrication Label
Diagram:

Warning Label
Diagram:

Outline Diagram: **OYK1028-S01**

Outline Graphic: **033A**

Ambient Temperature: **40**

Insulation Class: **B**



Specification & Rating Report

Protector: AUTOMATIC Nameplate Overload: IP Code: Nameplate Enclosure: TEAO Frame Length: 3.812 Frame Diameter: Frame Size: 48Y Frame Material: ROLLED STEEL Operator Instruction Manual: Nameplate Mounting: Base Height: Ring Diameter: Nameplate: Nameplate Location L Format: Brake: Layer Quantity: Phase: 1 DC Pole: Poles: 8 Speeds: 1 Duty: AIR OVER Shaft Diameter: 1/2 Shaft Extension: 3.2 Shaft Material: Shaft Type: FLAT Motor Type: FLL Motor Use: Nameplate 1: Nameplate 2: Nameplate Text 1:	Thermal Protection: TYPE C Label Overload: Label Enclosure: TEAO Frame Length UOM: Frame Diameter UOM: End Frame Material: Label Mounting: EXT STUDS Base Height UOM: RingDiameterUOM: Carton Label: Tachometer: Pallet Quantity: CurrentType: Shaft Diameter UOM: IN Shaft Extension UOM: IN Rotation: CWLE
--	---



Specification & Rating Report

Nameplate Text 2:

Nameplate Text 3:

Nameplate Text 4:

Label Text 1: **PERMANENT
SPLIT
CAPACITOR**

Label Text 2:

Label Text 3: **OEM DIRECT
REPLACEMENT
"YORK"**

Label Text 4:

Brand Line:

Vendor Line:

Motor Weight:

Motor Weight UOM:

Shipping Weight:

Shipping Weight UOM:

Armature Field
Winding:

Core Length:

Core Length UOM:

Winding Code:

Winding Specification:

Nameplate Only
Instructions:

Nameplate & Label
Instructions:

Label Only
Instructions:

Specification & Rating Report



Rating Number: 1

Horsepower: **1/4**

Volts: **208-230**

Hertz: **50/60**

Field Current:

Revolutions Per **850**
Minute:

Service Factor: **1.0**

Service Factor Amps:

NEMA Code:

NEMA Design:

Customer Nameplate Number:

Kilowatts:

Amps: **1.4**

Maximum Amps:

Armature Current:

Power Factor:

Service Factor Volts:

NEMA Nominal Efficiency:

NEMA Guaranteed Efficiency: