

# PRODUCT INFORMATION PACKET



Model No: OYK1056S

Catalog No: OYK1056S

OEM Replacement Motor, 1/2 HP, 1 Ph, 60 Hz, 115 V, 1110 RPM, 3 Speed, 48 Frame, OPEN



Regal and Century are trademarks of Regal Rexnord Corporation or one of its affiliated companies.  
©2025 Regal Rexnord Corporation, All Rights Reserved. MC017097E





**Nameplate Specifications**

Phase	1	Output HP	1/2 Hp
Output KW	0.37 kW	Voltage	115 V
Speed	1110 rpm	Service Factor	1.0
Frame	48Y	Enclosure	Open Enclosed
Thermal Protection	Automatic	Ambient Temperature	40 °C
Frequency	60 Hz	Current	9.8 A
Duty	Air Over	Insulation Class	B
UL	Recognized	CSA	Y
CE	N	Number of Speeds	3

**Technical Specifications**

Electrical Type	Permanent Split Capacitor	Starting Method	Across The Line
Poles	6	Rotation	Counterclockwise Lead End
Mounting	Round Belly Band	Motor Orientation	Any
Drive End Bearing	Sleeve	Opp Drive End Bearing	Sleeve
Frame Material	Rolled Steel	Shaft Type	Flat
Overall Length	9.86 in	Frame Length	4.88 in
Shaft Diameter	0.500 in	Shaft Extension	4.5 in
Outline Drawing	OYK1056S-S01	Connection Drawing	614131-003

This is an uncontrolled document once printed or downloaded and is subject to change without notice. Date Created:02/10/2025

4

3

2

1

REV	ECO	REV BY	DATE	APPD	DATE
B	0024317	J.ZHU	04-09-2012	B.SHEN	04-09-2012

GENERAL INFORMATION:

SHAFT RUNOUT: .001[.03] T.I.R. PER INCH LENGTH OF EXTENSION.

END PLAY: .010[.25] TO .063[1.60]

BEARINGS: SLEEVE

MOUNTING POSITION: HORIZONTAL

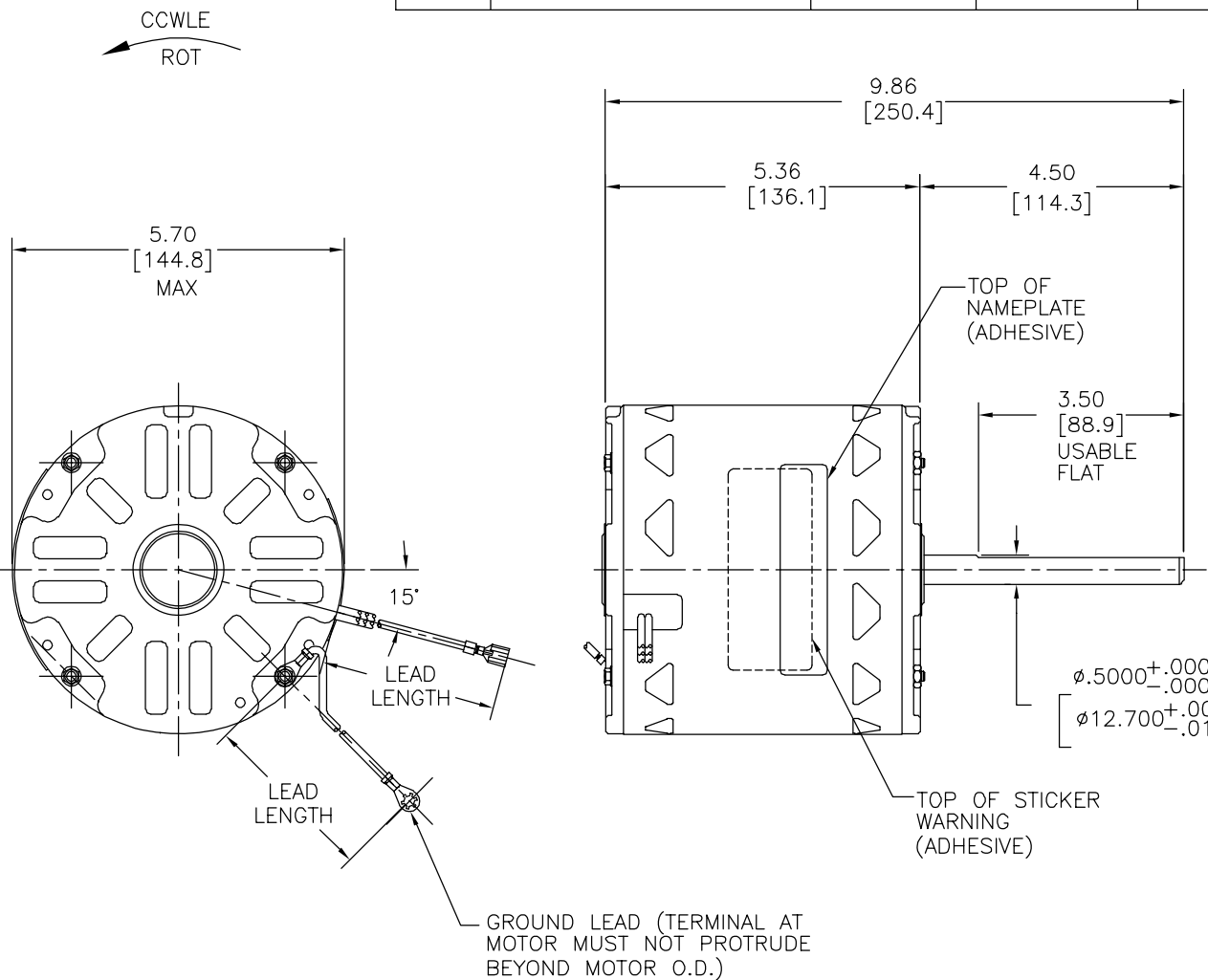
ELECTRICAL DATA:

OVERLOAD PROTECTOR: AUTOMATIC RESET (T.I. 7AM 036)

LEADS: NO. 18 GA., .06[1.5] THK., PVC 105°C INSUL.

REVERSING LEADS:

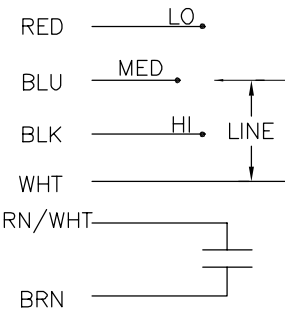
GROUND LEAD: NO. 18 GA., .03[.8] THK., (GREEN) INSUL.



NAMEPLATE DATA:

EXTERNAL CONNECTION DIAGRAM

MODEL NO.: F48V76A01  
 CUST. P/N: OYK1056S  
 HP: 1/2  
 ROT.: CCWLE  
 RPM: 1110/3 SPD  
 TYPE: UF  
 FRAME: 48Y  
 VOLTS: 115  
 PH: 1  
 AMPS: 9.8  
 HZ: 60  
 INS.: B  
 AMB.: 40° C  
 DUTY: AIR OVER  
 CAP.: 10 MFD/370V  
 ENCL: OPEN  
 UL LOGO  
 CSA LOGO  
 THERMALLY PROTECTED



628642-006

GREEN(GRD)	13.0/15.0 [330/381]	#10 EYELET
BROWN	27.0/29.0 [686/737]	.25[6.4] FEMALE SPADE
BROWN/WHITE	27.0/29.0 [686/737]	.25[6.4] FEMALE SPADE
WHITE	34.0/36.0 [864/914]	.25[6.4] FEMALE SPADE
BLACK	34.0/36.0 [864/914]	.25[6.4] FEMALE SPADE
BLUE	34.0/36.0 [864/914]	.25[6.4] FEMALE SPADE
RED	34.0/36.0 [864/914]	.25[6.4] FEMALE SPADE
COLOR	LENGTH	TERMINAL OR STRIP LENGTH

MAIN FRAME - OLE	OPEN
END FRAME - OLE	OPEN
MAIN FRAME - LE	OPEN
END FRAME - LE	OPEN

CUSTOMER	DIST. SERVICES
----------	----------------

PERFORMANCE CURVE NO.	TORQUE @ 1110 RPM (25°C)	APPROVED SAMPLE	UL COMPONENT FILE #	CCN #	CSA FILE #	CLASS #
C32399	57.2 OZ. FT.	0442680A	E46412	PRGY2	LR43341	4211-01

GEOMETRIC CHARACTERISTICS & SYMBOLS

- FLATNESS
- STRAIGHTNESS
- ∠ ANGULARITY
- ⊥ PERPENDICULARITY (SQUARENESS)
- ∥ PARALLELISM
- ROUNDNESS (CIRCULARITY)
- ⊘ CYLINDRICITY
- △ PROFILE OF ANY SURFACE
- ∩ PROFILE OF ANY LINE
- ↗ RUNOUT
- ⊕ TRUE POSITION
- ◎ CONCENTRICITY
- ≡ SYMMETRY

ASME Y14.5M 1994

REGAL-BELOIT CORPORATION (RBC) PROVIDES TECHNICAL ASSISTANCE TO OUR CUSTOMERS IN SEVERAL AREAS. SINCE RBC DOES NOT RECEIVE ALL DATA CONCERNING THE USE AND APPLICATION OF THE MOTOR, THE SUITABILITY OF THE MOTOR FOR THE APPLICATION MUST BE DETERMINED BY THE CUSTOMER.

DIMENSIONS WITHOUT TOLERANCES ARE FOR REFERENCE ONLY.

DR BY: J.ZHU 04-09-2012

APPD: B.SHEN 04-09-2012

THIRD ANGLE PROJECTION

EDS DATE 11-11-2011  
 FORMAT REV G

CONFIDENTIAL: THIS DRAWING AND ITS INFORMATION ARE THE EXCLUSIVE AND CONFIDENTIAL PROPERTY OF REGAL-BELOIT CORPORATION AND ARE NOT TO BE DISCLOSED, DUPLICATED, DISTRIBUTED OR OTHERWISE USED WITHOUT THE WRITTEN CONSENT OF REGAL-BELOIT CORPORATION. -ALL RIGHTS RESERVED.



DESCRIPTION: MODEL-RFHP-48FR OUTLINE

SIZE C DWG NO OYK1056S

SCALE NONE SHEET 1

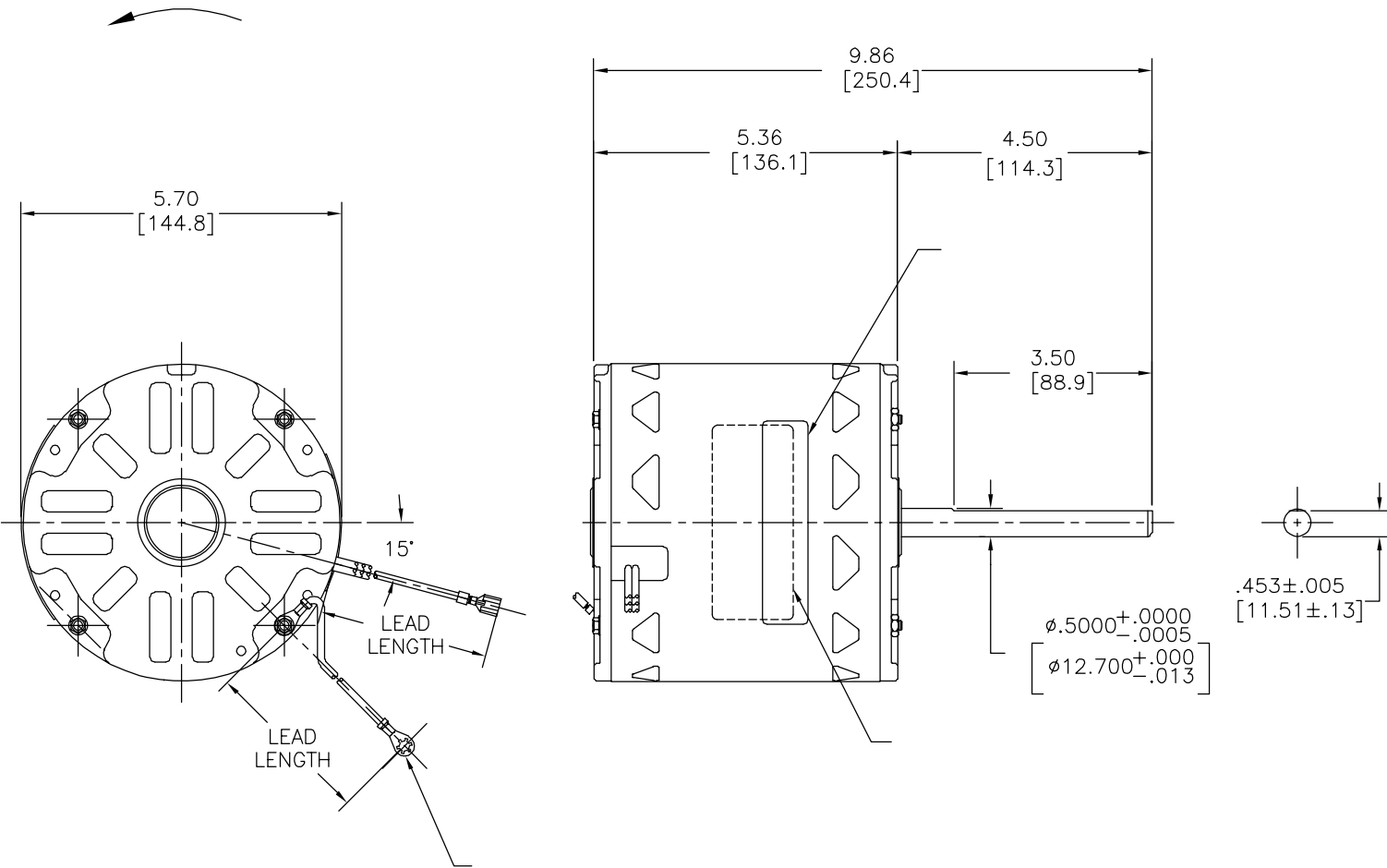
4

3

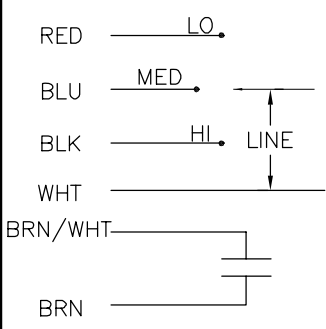
2

1

REVISION:	ECO	REVISADO POR:	FECHA:	APROBADO POR:	FECHA:
B	0024317	J.ZHU	04-09-2012	B.SHEN	04-09-2012



MODEL NO.: F48V76A01  
 CUST. P/N: OYK1056S  
 HP: 1/2  
 ROT.: CCWLE  
 RPM: 1110/3 SPD  
 TYPE: UF  
 FRAME: 48Y  
 VOLTS: 115  
 PH: 1  
 AMPS: 9.8  
 HZ: 60  
 INS.: B  
 AMB.: 40° C  
 DUTY: AIR OVER  
 CAP.: 10 MFD/370V  
 ENCL: OPEN  
 UL LOGO  
 CSA LOGO  
 THERMALLY PROTECTED



628642-006

	13.0/15.0	
	[330/381]	
	27.0/29.0	
	[686/737]	
	27.0/29.0	
	[686/737]	
	34.0/36.0	
	[864/914]	
	34.0/36.0	
	[864/914]	
	34.0/36.0	
	[864/914]	
	34.0/36.0	
	[864/914]	

C32399	57.2	OZ. FT.	0442680A	E46412	PRGY2	LR43341	4211-01
--------	------	---------	----------	--------	-------	---------	---------


DIST. SERVICES

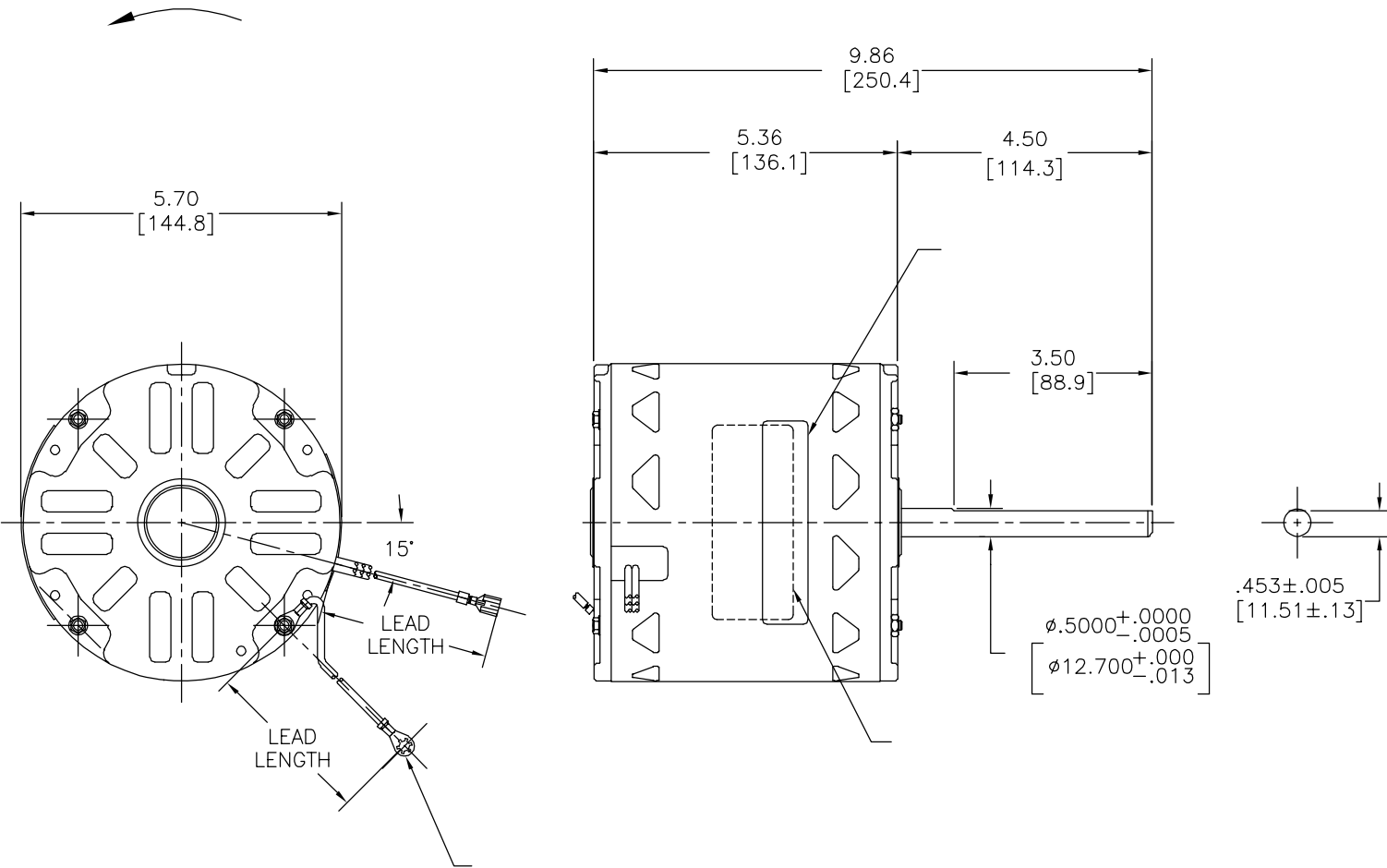
CARACTERISTICAS DE GEOMETRIA Y SIMBOLOS  
 ▧ PLANICIDAD  
 — RECTITUD  
 < ANGULARIDAD  
 ⊥ PERPENDICULARIDAD (A ESCUADRA)  
 // PARALELISMO  
 ○ REDONDEZ (CIRCULARIDAD)  
 ∅ CILINDRICIDAD  
 △ PERFIL DE CUALQUIER SUPERFICIE  
 ∩ PERFIL DE CUALQUIER LINEA  
 ↑ VARIACION  
 ⊕ POSICION REAL  
 ⊙ CONCENTRICIDAD  
 = SIMETRIA  
 ASME Y14.5M 1994

REGAL-BELOIT CORPORATION (RBC)  
 PROVEE ASISTENCIA TECNICA A  
 NUESTROS CLIENTES EN VARIAS AREAS.  
 DESDE QUE RBC NO RECIBE TODOS  
 LOS DATOS EN RELACION AL USO Y A  
 LA APLICACION DEL MOTOR, LA  
 APLICACION ADECUADA DEL MOTOR  
 DEBE SER DETERMINADA POR EL  
 CLIENTE.  
 DIMENSIONES SIN TOLERANCIA SON  
 DE REFERENCIA SOLAMENTE

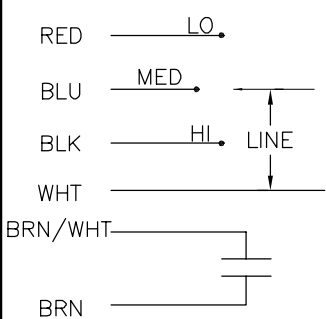
DIBUJADO POR:  
 J.ZHU  
 04-09-2012  
 APROBADO POR:  
 B.SHEN  
 04-09-2012  
 TERCER ANGULO  
 DE PROYECCION  
 CONFIDENCIAL: ESTE DIBUJO Y SU INFORMACION  
 SON PROPIEDAD DE USO EXCLUSIVO Y CONFIDENCIAL DE  
 REGAL-BELOIT CORPORATION. Y NO DEBERAN SER REVELADOS,  
 DUPLICADOS, DISTRIBUIDOS O USARSE DE OTRA MANERA  
 SIN EL CONSENTIMIENTO ESCRITO DE REGAL-BELOIT  
 CORPORATION. -TODOS LOS DERECHOS RESERVADOS.

**REGAL-BELOIT CORPORATION**  
 DESCRIPCION:  
**MODEL-RFHP-48FR  
 OUTLINE**  
 TAMAÑO: C NUMERO DE DIBUJO:  
**OYK1056S**  
 ESCALA:NONE HOJA: 1

版本	ECO	编制	日期	批准	日期
B	0024317	J.ZHU	04-09-2012	B.SHEN	04-09-2012



MODEL NO.: F48V76A01  
 CUST. P/N: OYK1056S  
 HP: 1/2  
 ROT.: CCWLE  
 RPM: 1110/3 SPD  
 TYPE: UF  
 FRAME: 48Y  
 VOLTS: 115  
 PH: 1  
 AMPS: 9.8  
 HZ: 60  
 INS.: B  
 AMB.: 40° C  
 DUTY: AIR OVER  
 CAP.: 10 MFD/370V  
 ENCL: OPEN  
 UL LOGO  
 CSA LOGO  
 THERMALLY PROTECTED



628642-006

	13.0/15.0	
	[330/381]	
	27.0/29.0	
	[686/737]	
	27.0/29.0	
	[686/737]	
	34.0/36.0	
	[864/914]	
	34.0/36.0	
	[864/914]	
	34.0/36.0	
	[864/914]	
	34.0/36.0	
	[864/914]	

C32399	57.2	OZ. FT.	0442680A	E46412	PRGY2	LR43341	4211-01
--------	------	---------	----------	--------	-------	---------	---------

DIST. SERVICES

- 形位公差
- 平面度
- 直线度
- ∠ 倾斜度
- ⊥ 垂直度
- // 平行度
- 圆度
- ⊘ 圆柱度
- △ 面轮廓度
- ∩ 线轮廓度
- ↗ 圆跳动
- ⊕ 位置度
- ⊙ 同轴度
- ≡ 对称度

ASME Y14.5M 1994

REGAL-BELOIT CORPORATION (RBC) 在个别领域为客户提供技术支持。鉴于RBC未收到任何涉及电机使用和应用环境的数据，电机的适用性由客户自己决定。

未注公差尺寸仅供参考。

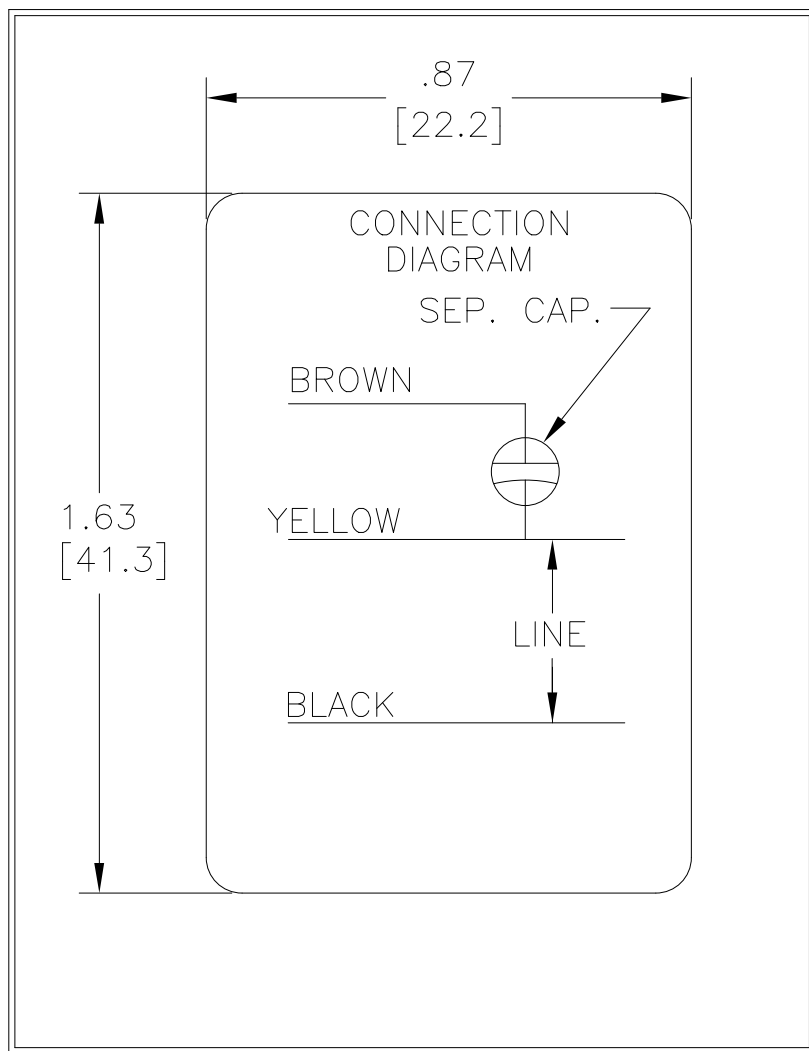
绘图:	J.ZHU	04-09-2012
批准:	B.SHEN	04-09-2012
第三角投影		图纸格式发布日期 11-11-2011 图纸格式版本 G
机密: 本图纸及相关信息所有权归REGAL-BELOIT CORPORATION。未经REGAL-BELOIT CORPORATION书面授权, 不得泄露、复制或传播或作其他用途。一版权所有		

REGAL-BELOIT CORPORATION

名称: MODEL-RFHP-48FR OUTLINE

图幅: C 图号: OYK1056S

比例: NONE 页号: 1



DRAWING REVISION D	REVISION BY J. RUPERT	DATE 06-30-2023
ECO NMR-0223535	APPROVED BY J. RUPERT	DATE 06-30-2023

ECO DESCRIPTION  
REVISED FOR UP ISSUE

COPYRIGHT REGAL BELOIT AMERICA, INC. ALL RIGHTS RESERVED.  
 PROPRIETARY AND CONFIDENTIAL INFORMATION - THIS DOCUMENT IS THE PROPERTY OF  
 REGAL BELOIT AMERICA, INC. ("OWNER") AND CONTAINS OWNER'S PROPRIETARY  
 INFORMATION. ANY PERSON, CORPORATION OR OTHER FIRM RECEIVING IT IS DEEMED,  
 BY RECEIVING IT, TO AGREE THAT IT, AND/OR ANY PART OF IT, SHALL NOT BE DISCLOSED  
 TO ANY PERSON, CORPORATION OR OTHER ENTITY, DUPLICATED, AND/OR USED, EXCEPT  
 AS EXPRESSLY APPROVED IN WRITING IN ADVANCE BY OWNER. THIS DOCUMENT SHALL  
 BE RETURNED TO OWNER UPON REQUEST. IT MAY BE SUBJECT TO CERTAIN  
 RESTRICTIONS UNDER APPLICABLE EXPORT CONTROL LAWS AND REGULATIONS.

TOLERANCES UNLESS OTHERWISE SPECIFIED			
DEC.	INCH	mm	ANGLE
.X	±0.1	[±2.5]	±0.5°
.XX	±0.02	[±0.51]	
.XXX	±0.005	[±0.127]	
.XXXX	±0.0005	[±0.0127]	
REMOVE BURRS & BREAK SHARP EDGES .003/.015 [.076/.381] X 45°			
CORNER FILLETS R.02 [.51]			
MACHINED SURFACES			
$\sqrt{125}$ INCH $\sqrt{mm}$ $\sqrt{3.2}$			
mm SHOWN IN [BRACKETS]			

DRAWN BY: N. LONG
DATE: 07-14-1986
APPROVED BY:
DATE:
REFERENCE
THIRD ANGLE PROJECTION

<b>REGAL</b> ™ Regal Beloit America, Inc.	
DESCRIPTION CONN DIAGRAM-NAMEPLATE	
MATERIAL	PROCESS/FINISH
SIZE A	DWG NO 614131-003
6 of 6	
SHEET 1	