

# PRODUCT INFORMATION PACKET



Model No: OYK1056V1  
Catalog No: OYK1056V1

OEM Replacement Motor, 1/2 HP, 1 Ph, 60 Hz, 208-230 V, 1090 RPM, 1 Speed, 48 Frame, TEAO



Regal and Century are trademarks of Regal Rexnord Corporation or one of its affiliated companies.  
©2025 Regal Rexnord Corporation, All Rights Reserved. MC017097E





**Nameplate Specifications**

Phase	1	Output HP	1/2 Hp
Output KW	0.37 kW	Voltage	208-230 V
Speed	1090 rpm	Service Factor	1.0
Frame	48Y	Enclosure	Totally Enclosed Air Over
Thermal Protection	Automatic	Ambient Temperature	40 °C
Frequency	60 Hz	Current	2.2-2.5 A
Duty	Air Over	Insulation Class	B
UL	Recognized	CSA	Y
CE	N	Number of Speeds	1

**Technical Specifications**

Electrical Type	Permanent Split Capacitor	Starting Method	Across The Line
Poles	6	Rotation	Clockwise Lead End
Mounting	Extended Studs	Motor Orientation	Vertical Shaft Down
Drive End Bearing	Sleeve	Opp Drive End Bearing	Sleeve
Frame Material	Rolled Steel	Shaft Type	Double Flat
Overall Length	9.12 in	Frame Length	4.25 in
Shaft Diameter	0.500 in	Shaft Extension	4 in
Outline Drawing	12056-071-S01	Connection Drawing	614131-003

This is an uncontrolled document once printed or downloaded and is subject to change without notice. Date Created:02/10/2025

4

3

2

1

REV	ECO	REV BY	DATE	APPD	DATE
C	0025564	J.M.RAMIREZ	04-25-2012	R.RASCON	04-25-2012

GENERAL INFORMATION:

SHAFT RUNOUT: .001[.03] T.I.R. PER INCH LENGTH OF EXTENSION.

END PLAY: .010 TO .063 [.25 TO 16.0]

BEARINGS: SLEEVE

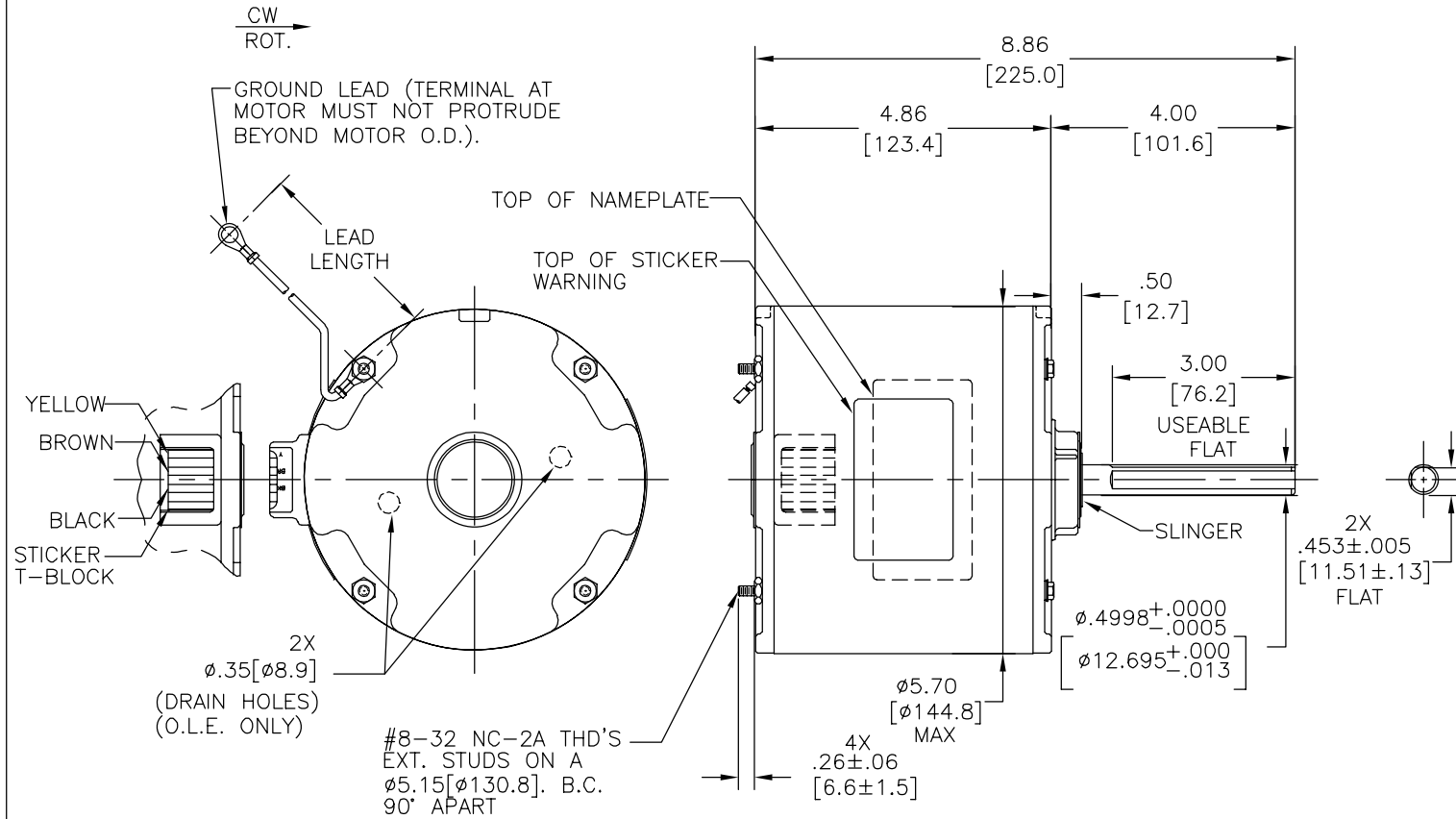
MOUNTING POSITION: VERTICAL SHAFT DOWN

ELECTRICAL DATA:

OVERLOAD PROTECTOR: AUTOMATIC RESET (T.I. 7AM 036)

GROUND LEAD: NO. 16 GA. .03[.8] THK., (GREEN) INSULATION

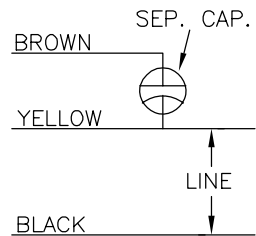
NOTES:  
1. DISTRIBUTION: CUST. P/N: OYK1056V1  
GRAINGER: CUST. P/N: 4UY48



NAMEPLATE DATA:

EXTERNAL CONNECTION DIAGRAM

MODEL NO.: F48V09A01  
CUST. P/N: [ ]  
HP: 1/2  
ROT: CWLE  
RPM: 1090  
TYPE: UF  
FRAME: 48Y  
VOLTS: 208-230  
PH: 1  
AMPS: 2.2-2.5  
HZ: 60  
INS: B  
AMB: 40°C  
DUTY: AIR OVER  
CAP.: 7.5 MFD/370 V  
ENCL: ENCLOSED  
UL & CSA LOGOS  
THERMALLY PROTECTED



614131-003

TERMINAL BLOCK	YELLOW (#1)	.25[6.4]	MALE TAB
	BROWN (#2)	.25[6.4]	MALE TAB
	BLACK (#3)	.25[6.4]	MALE TAB

CODE STRIP IDENTIFICATION	TERMINAL
---------------------------	----------

GREEN (GRD)	6/7[152/178]	.25[6.4]	RING
-------------	--------------	----------	------

COLOR	LENGTH	TERMINAL OR STRIP LENGTH
-------	--------	--------------------------

MAIN FRAME - OLE	ENCLOSED
END FRAME - OLE	ENCLOSED WITH DRAIN HOLES
MAIN FRAME - LE	ENCLOSED
END FRAME - LE	ENCLOSED

CUST.	DISTRIBUTION SERVICE
-------	----------------------

LEAD DATA

PERFORMANCE CURVE NO.	TORQUE @ 1090 RPM (25°C)	APPROVED SAMPLE	UL COMPONENT FILE #	GUIDE #	CSA FILE #	GUIDE #
C32292	37.8 OZ.FT.	0442683B	E46412	PRGY2	LR43341	260-Ø-0

GEOMETRIC CHARACTERISTICS & SYMBOLS  
 □ FLATNESS  
 - STRAIGHTNESS  
 < ANGLARITY  
 ⊥ PERPENDICULARITY (SQUARENESS)  
 // PARALLELISM  
 ○ ROUNDNESS (CIRCULARITY)  
 ∅ CYLINDRICITY  
 △ PROFILE OF ANY SURFACE  
 ∩ PROFILE OF ANY LINE  
 ↗ RUNOUT  
 ⊕ TRUE POSITION  
 ⊙ CONCENTRICITY  
 = SYMMETRY  
 ASME Y14.5M 1994

REGAL-BELOIT CORPORATION (RBC) PROVIDES TECHNICAL ASSISTANCE TO OUR CUSTOMERS IN SEVERAL AREAS. SINCE RBC DOES NOT RECEIVE ALL DATA CONCERNING THE USE AND APPLICATION OF THE MOTOR, THE SUITABILITY OF THE MOTOR FOR THE APPLICATION MUST BE DETERMINED BY THE CUSTOMER.  
 DIMENSIONS WITHOUT TOLERANCES ARE FOR REFERENCE ONLY.

DR BY: J.RUPERT 08-13-2004  
 APPD: T.RILEY 08-18-2004  
 THIRD ANGLE PROJECTION  
 EDS DATE 11-11-2011  
 FORMAT REV G  
 CONFIDENTIAL: THIS DRAWING AND ITS INFORMATION ARE THE EXCLUSIVE AND CONFIDENTIAL PROPERTY OF REGAL-BELOIT CORPORATION AND ARE NOT TO BE DISCLOSED, DUPLICATED, DISTRIBUTED OR OTHERWISE USED WITHOUT THE WRITTEN CONSENT OF REGAL-BELOIT CORPORATION. -ALL RIGHTS RESERVED.

**REGAL-BELOIT CORPORATION**

DESCRIPTION: MODEL-RFHP-48FR OUTLINE

SIZE: C DWG NO: 12056-071

SCALE: NONE SHEET: 1

4

3

2

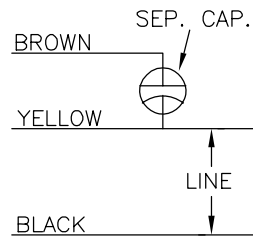
1

REVISION:	ECO	REVISADO POR:	FECHA:	APROBADO POR:	FECHA:
C	0025564	J.M.RAMIREZ	04-25-2012	R.RASCON	04-25-2012

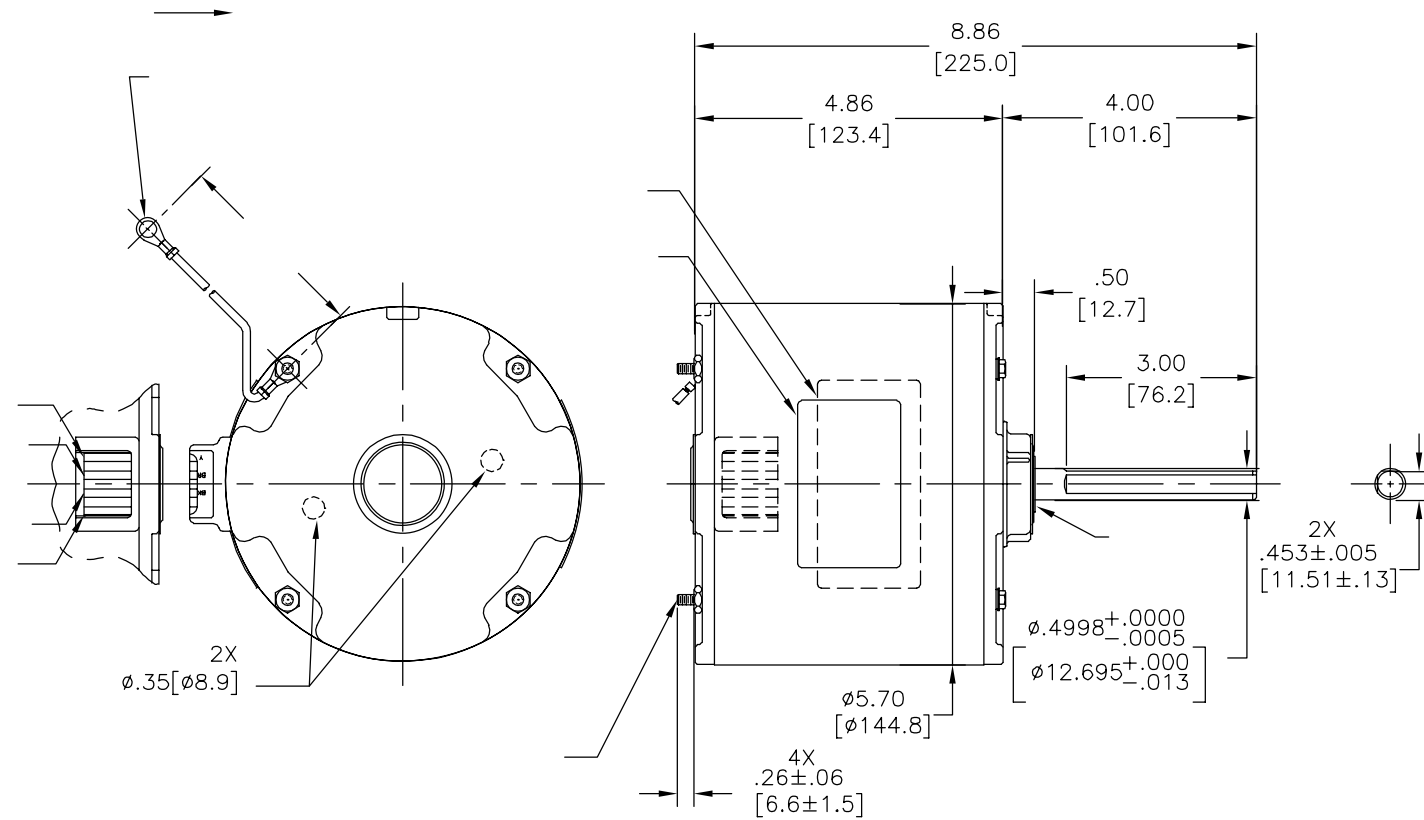
NOTES:  
 1. DISTRIBUTION: CUST. P/N: OYK1056V1  
 GRAINGER: CUST. P/N: 4UY48

VER NOTA

MODEL NO.: F48V09A01  
 CUST. P/N: [ ]  
 HP: 1/2  
 ROT: CWLE  
 RPM: 1090  
 TYPE: UF  
 FRAME: 48Y  
 VOLTS: 208-230  
 PH: 1  
 AMPS: 2.2-2.5  
 HZ: 60  
 INS: B  
 AMB: 40°C  
 DUTY: AIR OVER  
 CAP.: 7.5 MFD/370 V  
 ENCL: ENCLOSED  
 UL & CSA LOGOS  
 THERMALLY PROTECTED



614131-003



		.25[6.4]
		.25[6.4]
		.25[6.4]
	6/7[152/178]	.25[6.4]


DISTRIBUTION SERVICE

CARACTERISTICAS DE GEOMETRIA Y SIMBOLOS  
 □ PLANICIDAD  
 — RECTITUD  
 < ANGULARIDAD  
 ⊥ PERPENDICULARIDAD (A ESCUADRA)  
 // PARALELISMO  
 ○ REDONDEZ (CIRCULARIDAD)  
 ∅ CILINDRICIDAD  
 △ PERFIL DE CUALQUIER SUPERFICIE  
 ▲ PERFIL DE CUALQUIER LINEA  
 ↗ VARIACION  
 ⊕ POSICION REAL  
 ⊙ CONCENTRICIDAD  
 = SIMETRIA  
 ASME Y14.5M 1994

REGAL-BELOIT CORPORATION (RBC)  
 PROVEE ASISTENCIA TECNICA A  
 NUESTROS CLIENTES EN VARIAS AREAS.  
 DESDE QUE RBC NO RECIBE TODOS  
 LOS DATOS EN RELACION AL USO Y A  
 LA APLICACION DEL MOTOR, LA  
 APLICACION ADECUADA DEL MOTOR  
 DEBE SER DETERMINADA POR EL  
 CLIENTE.

DIMENSIONES SIN TOLERANCIA SON  
 DE REFERENCIA SOLAMENTE

DIBUJADO POR: J.RUPERT  
 08-13-2004  
 APROBADO POR: T.RILEY  
 08-18-2004  
 TERCER ANGULO DE PROYECCION  
 FECHA EDS: 11-11-2011  
 REV. FORMATO: G  
 CONFIDENCIAL: ESTE DIBUJO Y SU INFORMACION SON PROPIEDAD DE USO EXCLUSIVO Y CONFIDENCIAL DE REGAL-BELOIT CORPORATION. Y NO DEBERAN SER REVELADOS, DUPLICADOS, DISTRIBUIDOS O USARSE DE OTRA MANERA SIN EL CONSENTIMIENTO ESCRITO DE REGAL-BELOIT CORPORATION. -TODOS LOS DERECHOS RESERVADOS.

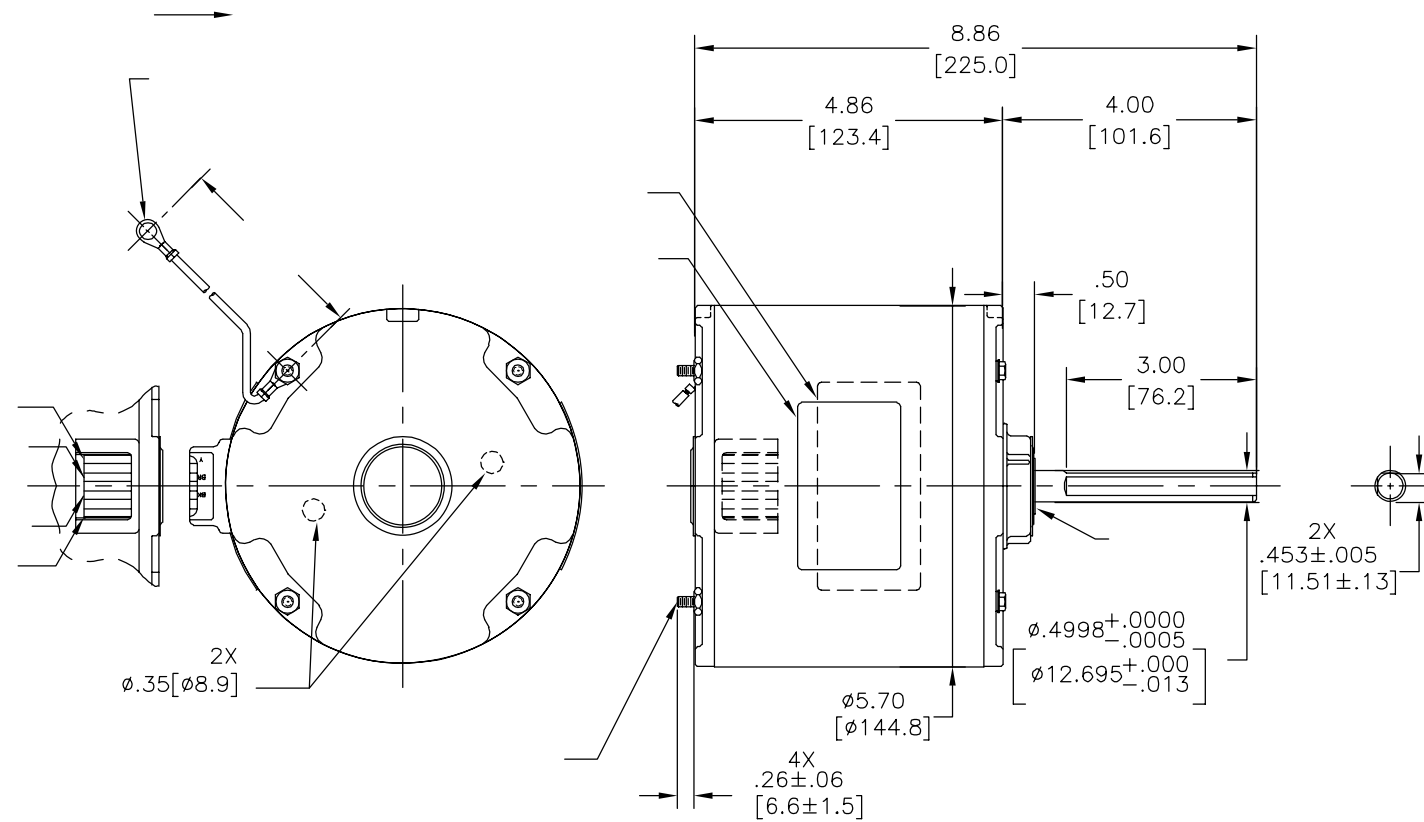


DESCRIPCION:  
 MODEL-RFHP-48FR  
 OUTLINE

TAMAÑO: C NUMERO DE DIBUJO:  
 12056-071

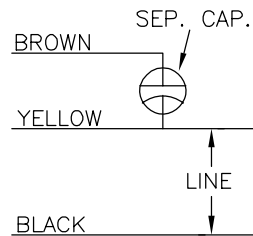
ESCALA: NONE HOJA: 1

版本	ECO	编制	日期	批准	日期
C	0025564	J.M.RAMIREZ	04-25-2012	R.RASCON	04-25-2012



NOTES:  
1. DISTRIBUTION: CUST. P/N: OYK1056V1  
GRAINGER: CUST. P/N: 4UY48

MODEL NO.: F48V09A01  
CUST. P/N: [ ]  
HP: 1/2  
ROT: CWLE  
RPM: 1090  
TYPE: UF  
FRAME: 48Y  
VOLTS: 208-230  
PH: 1  
AMPS: 2.2-2.5  
HZ: 60  
INS: B  
AMB: 40°C  
DUTY: AIR OVER  
CAP.: 7.5 MFD/370 V  
ENCL: ENCLOSED  
UL & CSA LOGOS  
THERMALLY PROTECTED



614131-003

		.25[6.4]
		.25[6.4]
		.25[6.4]
	6/7[152/178]	.25[6.4]


DISTRIBUTION SERVICE

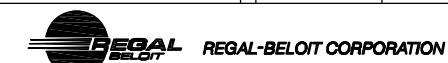
- 形位公差
- 平面度
- 直线度
- ∠ 倾斜度
- ⊥ 垂直度
- // 平行度
- 圆度
- ⊘ 圆柱度
- △ 面轮廓度
- ∩ 线轮廓度
- ↗ 圆跳动
- ⊕ 位置度
- ⊙ 同轴度
- ≡ 对称度

ASME Y14.5M 1994

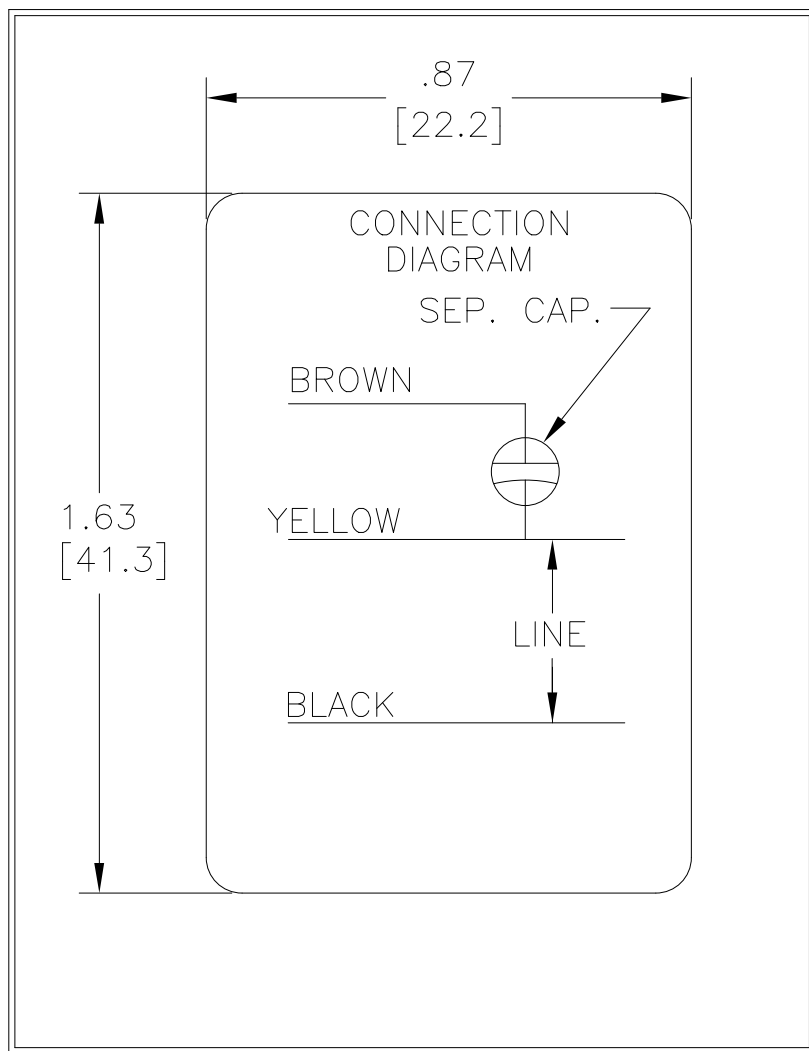
REGAL-BELOIT CORPORATION (RBC) 在个别领域为客户提供技术支持。鉴于RBC未收到任何涉及电机使用和应用环境的数据，电机的适用性由客户自己决定。

未注公差尺寸仅供参考。

绘图: J.RUPERT 08-13-2004  
批准: T.RILEY 08-18-2004  
第三角投影  
图纸格式发布日期 11-11-2011  
图纸格式版本 G  
机密: 本图纸及相关信息所有权归REGAL-BELOIT CORPORATION。未经REGAL-BELOIT CORPORATION书面授权, 不得泄露、复制、传播或作其他用途。—版权所有



名称: MODEL-RFHP-48FR OUTLINE  
图幅: C 图号: 12056-071  
比例: NONE 页号: 1



DRAWING REVISION D	REVISION BY J. RUPERT	DATE 06-30-2023
ECO NMR-0223535	APPROVED BY J. RUPERT	DATE 06-30-2023

ECO DESCRIPTION  
REVISED FOR UP ISSUE

COPYRIGHT REGAL BELOIT AMERICA, INC. ALL RIGHTS RESERVED.  
 PROPRIETARY AND CONFIDENTIAL INFORMATION - THIS DOCUMENT IS THE PROPERTY OF  
 REGAL BELOIT AMERICA, INC. ("OWNER") AND CONTAINS OWNER'S PROPRIETARY  
 INFORMATION. ANY PERSON, CORPORATION OR OTHER FIRM RECEIVING IT IS DEEMED,  
 BY RECEIVING IT, TO AGREE THAT IT, AND/OR ANY PART OF IT, SHALL NOT BE DISCLOSED  
 TO ANY PERSON, CORPORATION OR OTHER ENTITY, DUPLICATED, AND/OR USED, EXCEPT  
 AS EXPRESSLY APPROVED IN WRITING IN ADVANCE BY OWNER. THIS DOCUMENT SHALL  
 BE RETURNED TO OWNER UPON REQUEST. IT MAY BE SUBJECT TO CERTAIN  
 RESTRICTIONS UNDER APPLICABLE EXPORT CONTROL LAWS AND REGULATIONS.

TOLERANCES UNLESS OTHERWISE SPECIFIED			
DEC.	INCH	mm	ANGLE
.X	±0.1	[±2.5]	±0.5°
.XX	±0.02	[±0.51]	
.XXX	±0.005	[±0.127]	
.XXXX	±0.0005	[±0.0127]	
REMOVE BURRS & BREAK SHARP EDGES .003/.015 [.076/.381] X 45°			
CORNER FILLETS R.02 [.51]			
MACHINED SURFACES			
$\sqrt[.125]{\text{INCH}}$ / $\sqrt[.3.2]{\text{mm}}$			
mm SHOWN IN [BRACKETS]			

DRAWN BY: N. LONG
DATE: 07-14-1986
APPROVED BY:
DATE:
REFERENCE
THIRD ANGLE PROJECTION

<b>REGAL</b> ™ Regal Beloit America, Inc.	
DESCRIPTION CONN DIAGRAM-NAMEPLATE	
MATERIAL	PROCESS/FINISH
SIZE A	DWG NO 614131-003
6 of 6	
SHEET 1	