

# PRODUCT INFORMATION PACKET



Model No: OYK1106

Catalog No: OYK1106

OEM Replacement Motor, 1 HP, 1 Ph, 60 Hz, 115 V, 1075 RPM, 3 Speed, 48 Frame, OPEN



Regal and Century are trademarks of Regal Rexnord Corporation or one of its affiliated companies.  
©2025 Regal Rexnord Corporation, All Rights Reserved. MC017097E





**Nameplate Specifications**

Phase	1	Output HP	1 Hp
Output KW	0.75 kW	Voltage	115 V
Speed	1075 rpm	Service Factor	1.0
Frame	48Y	Enclosure	Open Enclosed
Thermal Protection	Automatic	Ambient Temperature	40 °C
Frequency	60 Hz	Current	12.9 A
Duty	Air Over	Insulation Class	B
UL	Recognized	CSA	Y
CE	N	Number of Speeds	3

**Technical Specifications**

Electrical Type	Permanent Split Capacitor	Starting Method	Across The Line
Poles	6	Rotation	Counterclockwise Lead End
Mounting	Round Belly Band	Motor Orientation	Horizontal
Drive End Bearing	Ball	Opp Drive End Bearing	Ball
Frame Material	Rolled Steel	Shaft Type	Flat
Overall Length	9.36 in	Frame Length	5.25 in
Shaft Diameter	0.500 in	Shaft Extension	3.5 in
Connection Drawing	614131-106	Outline Drawing	12015-045-S01

This is an uncontrolled document once printed or downloaded and is subject to change without notice. Date Created:02/10/2025

4

3

2

1

REV	ECO	REV BY	DATE	APPD	DATE
D	0025564	J.M.RAMIREZ	04-25-2012	R.RASCON	04-25-2012

GENERAL INFORMATION:

SHAFT RUNOUT: .001 [.03] T.I.R. PER INCH LENGTH OF EXTENSION

BEARINGS: BALL

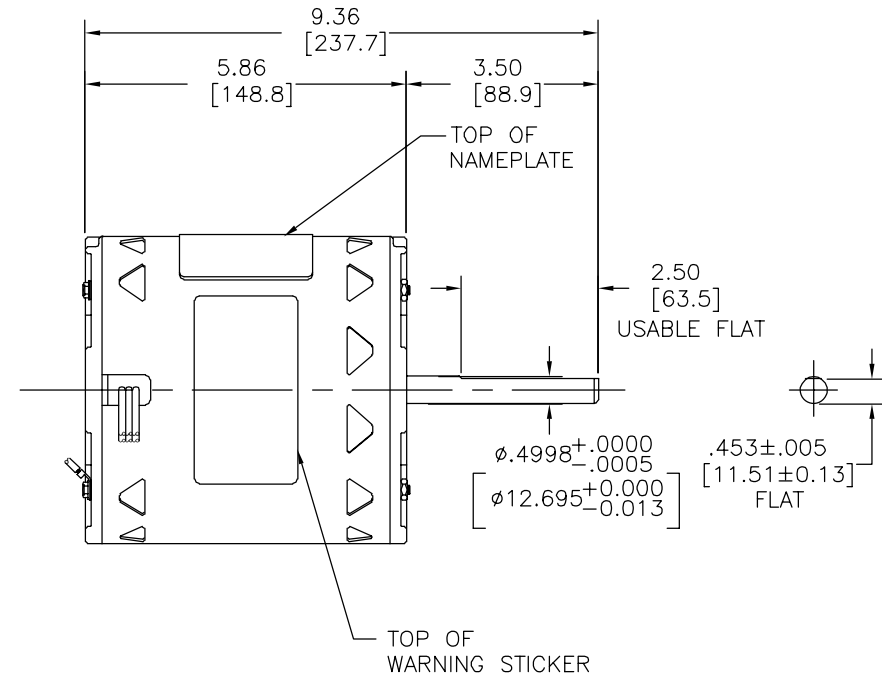
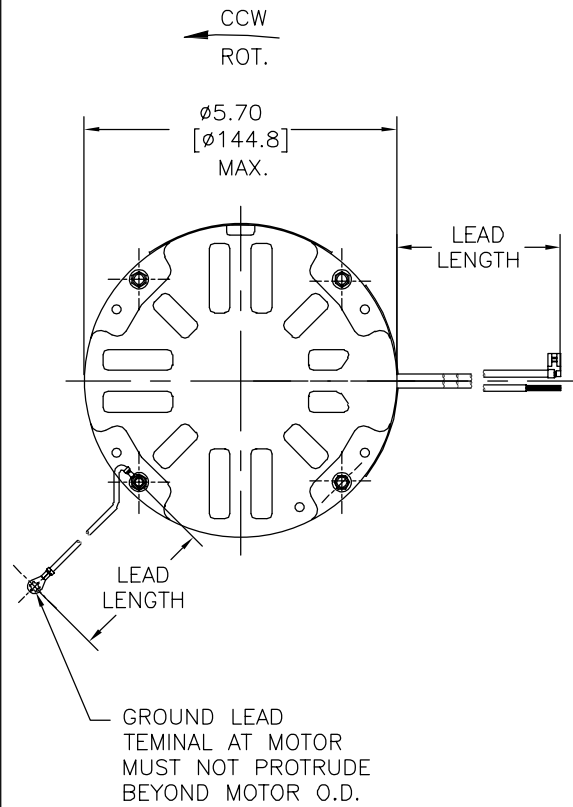
MOUNTING POSITION: HORIZONTAL

ELECTRICAL DATA:

OVERLOAD PROTECTOR: AUTOMATIC RESET (T.I. 2AM7BUH0500)

LEADS: NO. 18 GA., .06 [1.5] THK. PVC 105°C INSUL.

GROUND LEAD: NO. 18 GA., .03 [.8] THK. (GREEN) INSUL.

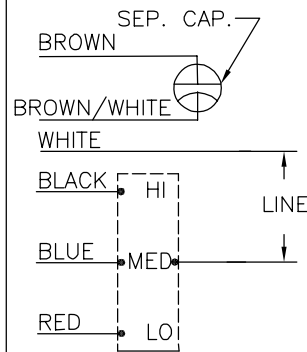


SEE NOTE 1

NAMEPLATE DATA:

EXTERNAL CONNECTION DIAGRAM

MODEL: F48V25A01  
 CUST. P/N:   
 HP: 1  
 ROT: CCWLE  
 RPM: 1075/ 3 SPD.  
 TYPE: UF  
 FRAME: 48Y  
 VOLTS: 115  
 PH: 1  
 AMPS: 12.9  
 HZ: 60  
 INS: B  
 AMB: 40 °C  
 DUTY: AIR OVER  
 CAP.: 15 MFD/440 V  
 ENCL: OPEN  
 CSA LOGO  
 UL LOGO  
 THERMALLY PROTECTED



614131-106

GREEN (GRD)	13.0/15.0[330/381]	#10 EYELET
BROWN	29.0/31.0[737/787]	.25[6.4] FEMALE SPADE
BROWN/WHITE	29.0/31.0[737/787]	.25[6.4] FEMALE SPADE
WHITE	29.0/31.0[737/787]	.25[6.4] FEMALE SPADE
BLACK	29.0/31.0[737/787]	.25[6.4] FEMALE SPADE
BLUE	29.0/31.0[737/787]	.25[6.4] FEMALE SPADE
RED	29.0/31.0[737/787]	.25[6.4] FEMALE SPADE

NOTES:  
 1. DISTRIBUTION PART NUMBER: OYK1106  
 GRAINGER PART NUMBER: 4UY98

MAIN FRAME - OLE	OPEN
END FRAME - OLE	OPEN
MAIN FRAME - LE	OPEN
END FRAME - LE	OPEN

CUST.	GRAINGER
-------	----------

PERFORMANCE CURVE NO.	TORQUE @1075 RPM (25°C)	APPROVED SAMPLE
C32099	90.3 OZ. FT.	0442630A

UL COMPONENT		CSA	
FILE	GUIDE	FILE	GUIDE
E46412	PRGY2	LR43341	4211-01

COLOR	LENGTH	TERMINAL OR STRIP LENGTH
LEAD DATA		

ENCLOSURE	
MAIN FRAME - OLE	OPEN
END FRAME - OLE	OPEN
MAIN FRAME - LE	OPEN
END FRAME - LE	OPEN

GEOMETRIC CHARACTERISTICS & SYMBOLS  
 ▮ FLATNESS  
 — STRAIGHTNESS  
 ∠ ANGULARITY  
 ⊥ PERPENDICULARITY (SQUARENESS)  
 // PARALLELISM  
 ○ ROUNDNESS (CIRCULARITY)  
 ⌀ CYLINDRICITY  
 △ PROFILE OF ANY SURFACE  
 ∩ PROFILE OF ANY LINE  
 ↗ RUNOUT  
 ⊕ TRUE POSITION  
 ⊙ CONCENTRICITY  
 = SYMMETRY  
 ASME Y14.5M 1994

REGAL-BELOIT CORPORATION (RBC) PROVIDES TECHNICAL ASSISTANCE TO OUR CUSTOMERS IN SEVERAL AREAS. SINCE RBC DOES NOT RECEIVE ALL DATA CONCERNING THE USE AND APPLICATION OF THE MOTOR, THE SUITABILITY OF THE MOTOR FOR THE APPLICATION MUST BE DETERMINED BY THE CUSTOMER.

DIMENSIONS WITHOUT TOLERANCES ARE FOR REFERENCE ONLY.

DR BY: D.M.JONES 09-02-2004  
 APPD: B.SHA 09-07-2004  
 THIRD ANGLE PROJECTION  
 EDS DATE 11-11-2011  
 FORMAT REV G  
 CONFIDENTIAL: THIS DRAWING AND ITS INFORMATION ARE THE EXCLUSIVE AND CONFIDENTIAL PROPERTY OF REGAL-BELOIT CORPORATION AND ARE NOT TO BE DISCLOSED, DUPLICATED, DISTRIBUTED OR OTHERWISE USED WITHOUT THE WRITTEN CONSENT OF REGAL-BELOIT CORPORATION. -ALL RIGHTS RESERVED.



DESCRIPTION: MODEL-RFHP-48FR OUTLINE  
 SIZE: C DWG NO: 12015-045  
 SCALE: NONE SHEET: 1

4

3

2

1

4

3

2

1

REVISION:	ECO	REVISADO POR:	FECHA:	APROBADO POR:	FECHA:
D	0025564	J.M.RAMIREZ	04-25-2012	R.RASCON	04-25-2012

**INFORMACION GENERAL:**

OSCILACION DE FLECHA: .001 [.03] L.T.I. LONG. DE EXTENSION POR PULGADA

BALEROS: BALINES

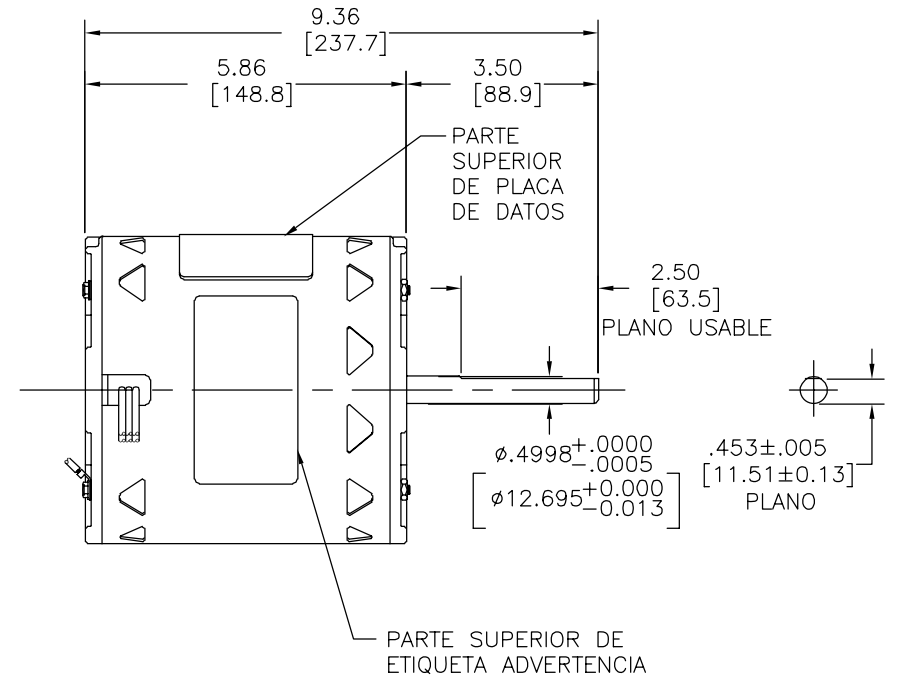
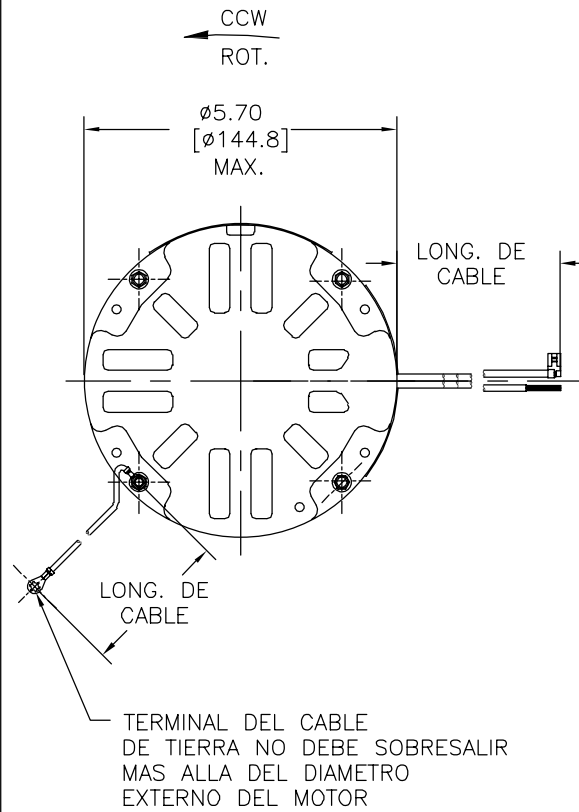
POSICION DEL MONTAJE: HORIZONTAL

**INFORMACION ELECTRICA:**

SOBRECARGA DEL PROTECTOR: REINICIO AUTOMATICO (T.I. 2AM7BUH0500)

CABLES: CAL. NO. 18, .06 [1.5] ESP. PVC 105°C AISLAM.

CABLE DE TIERRA: CAL. NO. 18, .03 [.8] ESP. (VERDE) AISLAM.



VER NOTA 1

INFORMACION DE PLACA DE DATOS	DIAGRAMA DE CONEXION EXTERNA
MODEL: F48V25A01 CUST. P/N: <input type="text"/> HP: 1 ROT: CCWLE RPM: 1075/ 3 SPD. TYPE: UF FRAME: 48Y VOLTS: 115 PH: 1 AMPS: 12.9 HZ: 60 INS: B AMB: 40 °C DUTY: AIR OVER CAP.: 15 MFD/440 V ENCL: OPEN CSA LOGO UL LOGO THERMALLY PROTECTED	

614131-106

COLOR	LONGITUD	TERMINAL O LONG. DE DESFORRE
VERDE (TIERRA)	13.0/15.0[330/381]	#10 OJAL
CAFE	29.0/31.0[737/787]	.25[6.4] TERMINAL HEMBRA TIPO ESPADA
CAFE/BLANCO	29.0/31.0[737/787]	.25[6.4] TERMINAL HEMBRA TIPO ESPADA
BLANCO	29.0/31.0[737/787]	.25[6.4] TERMINAL HEMBRA TIPO ESPADA
NEGRO	29.0/31.0[737/787]	.25[6.4] TERMINAL HEMBRA TIPO ESPADA
AZUL	29.0/31.0[737/787]	.25[6.4] TERMINAL HEMBRA TIPO ESPADA
ROJO	29.0/31.0[737/787]	.25[6.4] TERMINAL HEMBRA TIPO ESPADA

**NOTAS:**

- NO. DE PARTE DE DISTRIBUCION: OYK1106  
NO. DE PARTE GRAINGER: 4UY98

CARCAZA PPAL.- OLE	ABIERTO
TAPA FINAL - OLE	ABIERTO
CARCAZA PPAL.- LE	ABIERTO
TAPA FINAL- LE	ABIERTO

CLIENTE	GRAINGER
---------	----------

CURVAS DE TORSION @ 1075 RPM (25°C)	MUESTRA FUNCION.	RPM (25°C)	MUESTRA APROBADA	COMPONENTE UL		CSA	
				#ARCHIVO	GUIA #	#ARCHIVO	GUIA #
C32099	90.3 OZ. FT.	0442630A	E46412	PRGY2	LR43341	4211-01	

**INFORMACION DE CABLES**

**TIPO DE MOTOR**

**CARACTERISTICAS DE GEOMETRIA Y SIMBOLOS**  
 □ PLANICIDAD  
 — RECTITUD  
 < ANGULARIDAD  
 ⊥ PERPENDICULARIDAD (A ESCUADRA)  
 // PARALELISMO  
 ○ REDONDEZ (CIRCULARIDAD)  
 ∅ CILINDRICIDAD  
 △ PERFIL DE CUALQUIER SUPERFICIE  
 ∇ PERFIL DE CUALQUIER LINEA  
 ↗ VARIACION  
 ⊕ POSICION REAL  
 ⊙ CONCENTRICIDAD  
 = SIMETRIA  
 ASME Y14.5M 1994

REGAL-BELOIT CORPORATION (RBC) PROVEE ASISTENCIA TECNICA A NUESTROS CLIENTES EN VARIAS AREAS. DESDE QUE RBC NO RECIBE TODOS LOS DATOS EN RELACION AL USO Y A LA APLICACION DEL MOTOR, LA APLICACION ADECUADA DEL MOTOR DEBE SER DETERMINADA POR EL CLIENTE.

DIMENSIONES SIN TOLERANCIA SON DE REFERENCIA SOLAMENTE

DIBUJADO POR:	D.M.JONES	09-02-2004
APROBADO POR:	B.SHA	09-07-2004
TERCER ANGULO DE PROYECCION		FECHA EDS: 11-11-2011 REV. FORMATO: G

CONFIDENCIAL: ESTE DIBUJO Y SU INFORMACION SON PROPIEDAD DE USO EXCLUSIVO Y CONFIDENCIAL DE REGAL-BELOIT CORPORATION. Y NO DEBERAN SER REVELADOS, DUPLICADOS, DISTRIBUIDOS O USARSE DE OTRA MANERA SIN EL CONSENTIMIENTO ESCRITO DE REGAL-BELOIT CORPORATION. -TODOS LOS DERECHOS RESERVADOS.



DESCRIPCION:	
MODEL-RFHP-48FR OUTLINE	
TAMAÑO: C	NUMERO DE DIBUJO: 12015-045
ESCALA: NONE	HOJA: 1

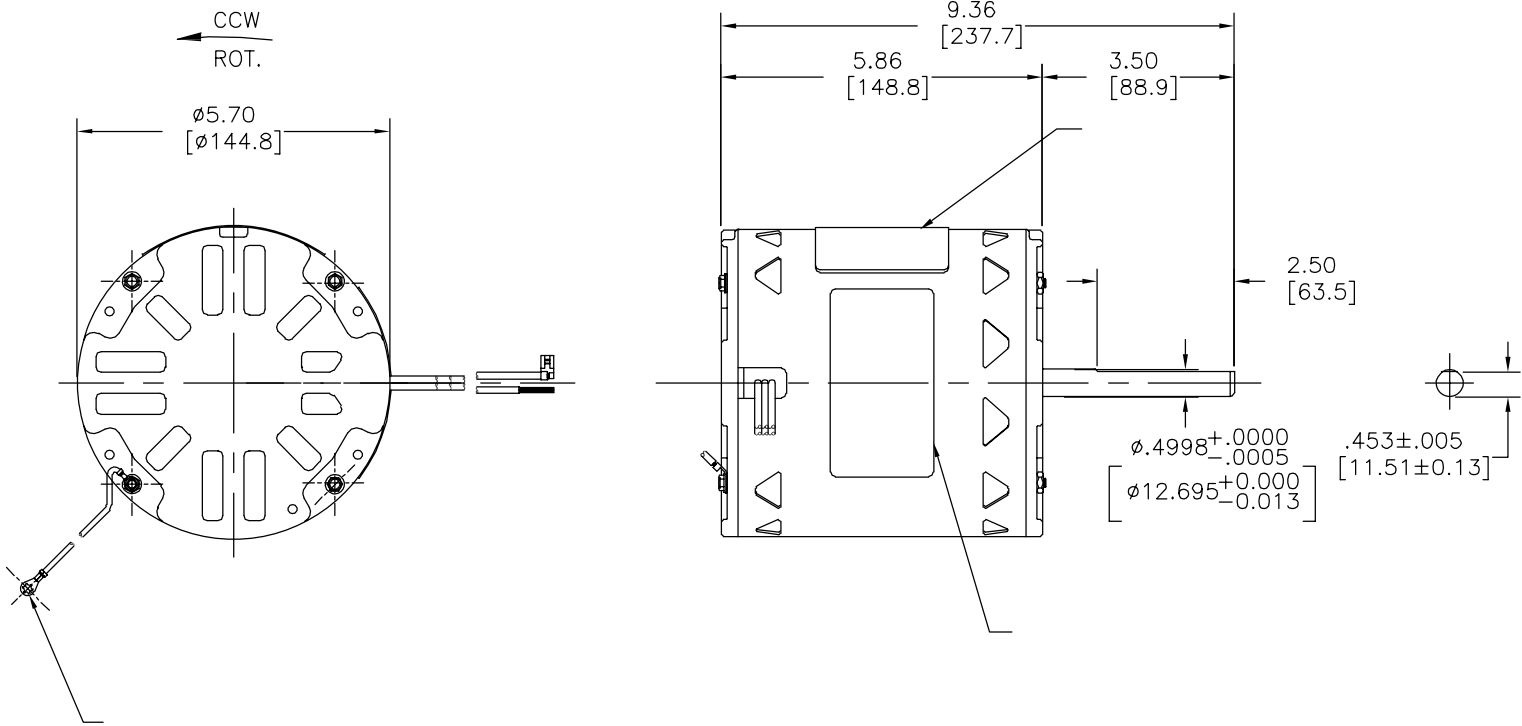
4

3

2

1

版本	ECO	编制	日期	批准	日期
D	0025564	J.M.RAMIREZ	04-25-2012	R.RASCON	04-25-2012



MODEL: F48V25A01  
 CUST. P/N:   
 HP: 1  
 ROT: CCWLE  
 RPM: 1075/ 3 SPD.  
 TYPE: UF  
 FRAME: 48Y  
 VOLTS: 115  
 PH: 1  
 AMPS: 12.9  
 HZ: 60  
 INS: B  
 AMB: 40 °C  
 DUTY: AIR OVER  
 CAP.: 15 MFD/440 V  
 ENCL: OPEN  
 CSA LOGO  
 UL LOGO  
 THERMALLY PROTECTED

SEP. CAP.

HI  
 MED  
 LO

614131-106

	13.0/15.0[330/381]	
	29.0/31.0[737/787]	
	29.0/31.0[737/787]	
	29.0/31.0[737/787]	
	29.0/31.0[737/787]	
	29.0/31.0[737/787]	
	29.0/31.0[737/787]	


GRAINGER

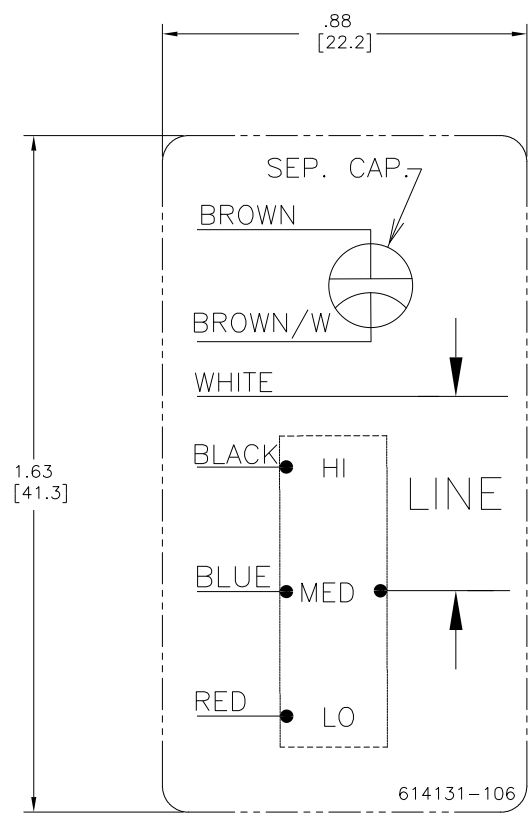
			CSA			
C32099	90.3 OZ. FT.	0442630A	E46412	PRGY2	LR43341	4211-01

形位公差	REGAL-BELOIT CORPORATION
□ 平面度	(RBC) 在个别领域为客户
— 直线度	提供技术支持。鉴于RBC
∠ 倾斜度	未收到任何涉及电机使用和
⊥ 垂直度	应用环境的数据，电机的适用性
// 平行度	由客户自己决定。
○ 圆度	未注公差尺寸仅供参考。
⊘ 圆柱度	
△ 面轮廓度	
∩ 线轮廓度	
↗ 圆跳动	
⊕ 位置度	
⊙ 同轴度	
≡ 对称度	

ASME Y14.5M 1994

绘图:	D.M.JONES	09-02-2004
批准:	B.SHA	09-07-2004
第三角投影		图纸格式发布日期 11-11-2011 图纸格式版本 G
机密：本图纸及相关信息所有权归REGAL-BELOIT CORPORATION。未经REGAL-BELOIT CORPORATION书面授权，不得泄露、复制或传播作其他用途。一版权所有		

名称	MODEL-RFHP-48FR OUTLINE
图幅	C
图号	12015-045
比例	NONE
页号	1



- NOTES:
1. FOR USE WITH 614129 OR 2513020-001 NAMEPLATE BLANKS
  2. \_\_\_\_\_ INDICATES DIMENSION LIMITS

DRAWING REVISION D	REVISION BY J. RUPERT	DATE 09-08-2022	TOLERANCES UNLESS OTHERWISE SPECIFIED DEC. INCH mm ANGLE .X ±0.1 [±2.5] ±0.5° .XX ±0.02 [±0.51] .XXX ±0.005 [±0.127] XXXX ±0.0005 [±0.0127]	DRAWN BY: PZ	Regal Beloit America, Inc.	
ECO NMR-0216370	APPROVED BY J. RUPERT	DATE 09-08-2022	REMOVED BURRS & BREAK SHARP EDGES .003/.015 [0.076/.381] X 45° CORNER FILLETS R.02 [51] MACHINED SURFACES .125/ mm 32/ INCH mm 32/ mm SHOWN IN [BRACKETS]	DATE: 04-12-2011		
ECO DESCRIPTION REVISED FOR UP ISSUE			APPROVED BY: Tiger Wong	DATE: 04-12-2011	DESCRIPTION CONN-DIAGRAM NAMEPLATE	
<small>                 COPYRIGHT REGAL BELOIT AMERICA, INC. ALL RIGHTS RESERVED.                  PROPRIETARY AND CONFIDENTIAL INFORMATION - THIS DOCUMENT IS THE PROPERTY OF REGAL BELOIT AMERICA, INC. (OWNER) AND CONTAINS OWNER'S PROPRIETARY INFORMATION. ANY REPRODUCTION OR OTHER FIRM RECEIVING IT IS DENIED. BY RECEIVING IT, TO AGREE THAT IT, AND/OR ANY PART OF IT, SHALL NOT BE DISCLOSED TO ANY PERSON, CORPORATION OR OTHER ENTITY, DUPLICATED, AND/OR USED, EXCEPT AS EXPRESSLY APPROVED IN WRITING IN ADVANCE BY OWNER. THIS DOCUMENT SHALL BE RETURNED TO OWNER UPON REQUEST. IT MAY BE SUBJECT TO CERTAIN RESTRICTIONS UNDER APPLICABLE EXPORT CONTROL LAWS AND REGULATIONS.             </small>			REMOVE BURRS & BREAK SHARP EDGES .003/.015 [0.076/.381] X 45° CORNER FILLETS R.02 [51] MACHINED SURFACES .125/ mm 32/ INCH mm 32/ mm SHOWN IN [BRACKETS]	REFERENCE	MATERIAL	PROCESS/FINISH
			THIRD ANGLE PROJECTION	SIZE DWG NO C 614131-106	SHEET 1	